



US00D576933S

(12) **United States Design Patent**
Smith

(10) **Patent No.:** **US D576,933 S**
(45) **Date of Patent:** **** Sep. 16, 2008**

(54) **MOTORCYCLE MIRROR**

(76) Inventor: **Patrick Smith**, 129 NW. 13th St., Suite 35, Boca Raton, FL (US) 33432

(**) Term: **14 Years**

(21) Appl. No.: **29/271,461**

(22) Filed: **Jan. 18, 2007**

(51) **LOC (8) Cl.** **12-16**

(52) **U.S. Cl.** **D12/187**

(58) **Field of Classification Search** D12/110,
D12/187, 188, 189; 359/838-881; 180/219
See application file for complete search history.

(56) **References Cited**

U.S. PATENT DOCUMENTS

D184,382 S *	2/1959	Smaltz	D26/36
D203,497 S *	1/1966	Vitaloni et al.	D12/187
D207,634 S *	5/1967	Engelmann	D12/187
3,434,688 A *	3/1969	Joachim	248/483
3,512,746 A *	5/1970	Giovanni et al.	248/483
D329,037 S *	9/1992	Benner	D12/187
D429,840 S *	8/2000	Hsieh	D26/106

* cited by examiner

Primary Examiner—Cathron Brooks

Assistant Examiner—Linda Brooks

(74) *Attorney, Agent, or Firm*—Gold & Rizvi, P.A.; H. John Rizvi; Glenn E. Gold

(57) **CLAIM**

I claim the ornamental design for a motorcycle mirror, as shown and described.

DESCRIPTION

FIG. 1 is an upper right perspective view of the motorcycle mirror showing my new design, the left being a mirror image thereof;

FIG. 2 bottom left perspective view thereof;

FIG. 3 is a top view thereof;

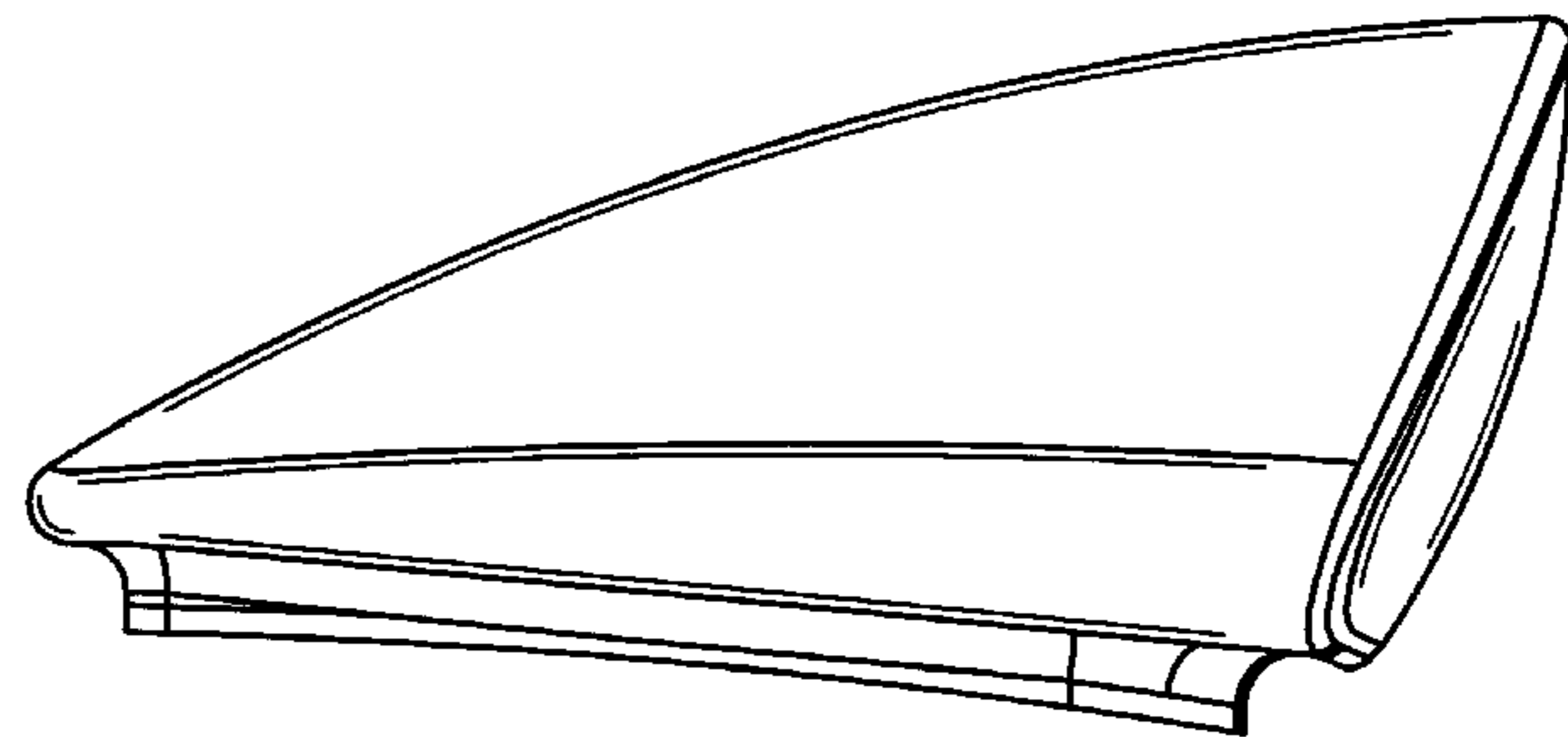
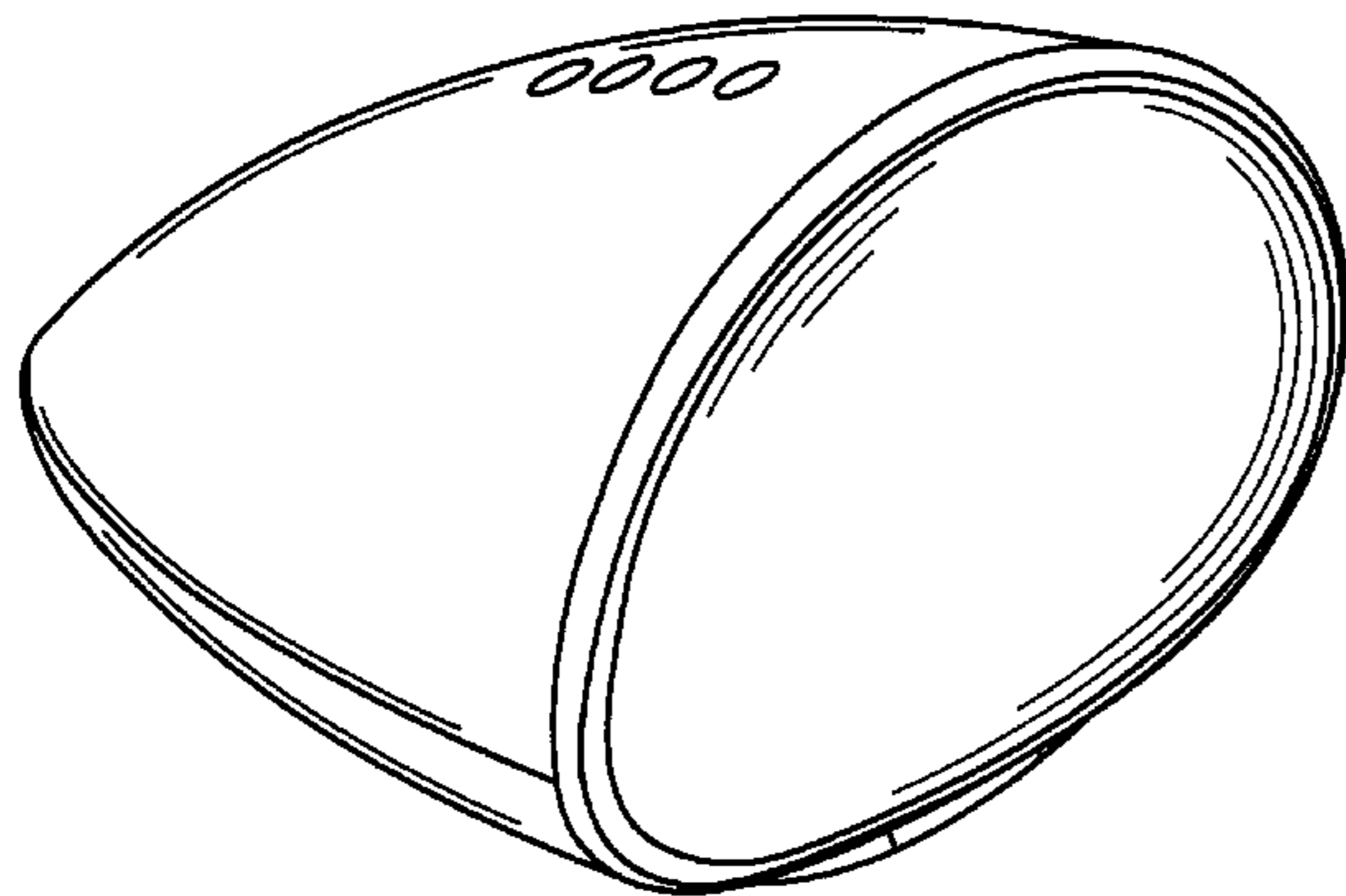
FIG. 4 is a bottom view thereof;

FIG. 5 is a rear view thereof;

FIG. 6 is a front view; and,

FIG. 7 is a left view, the right being a mirror image thereof.

1 Claim, 3 Drawing Sheets



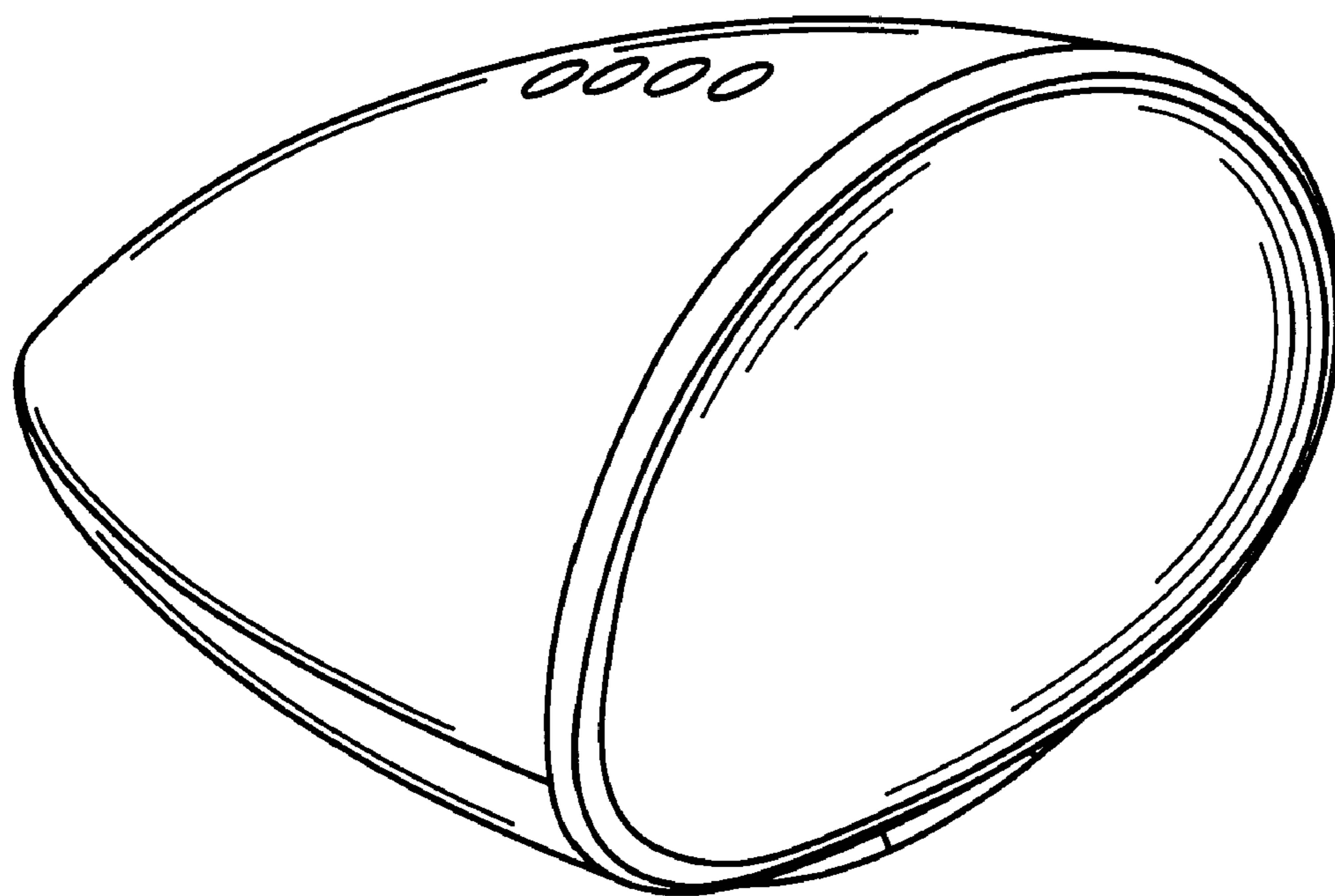


FIG. 1

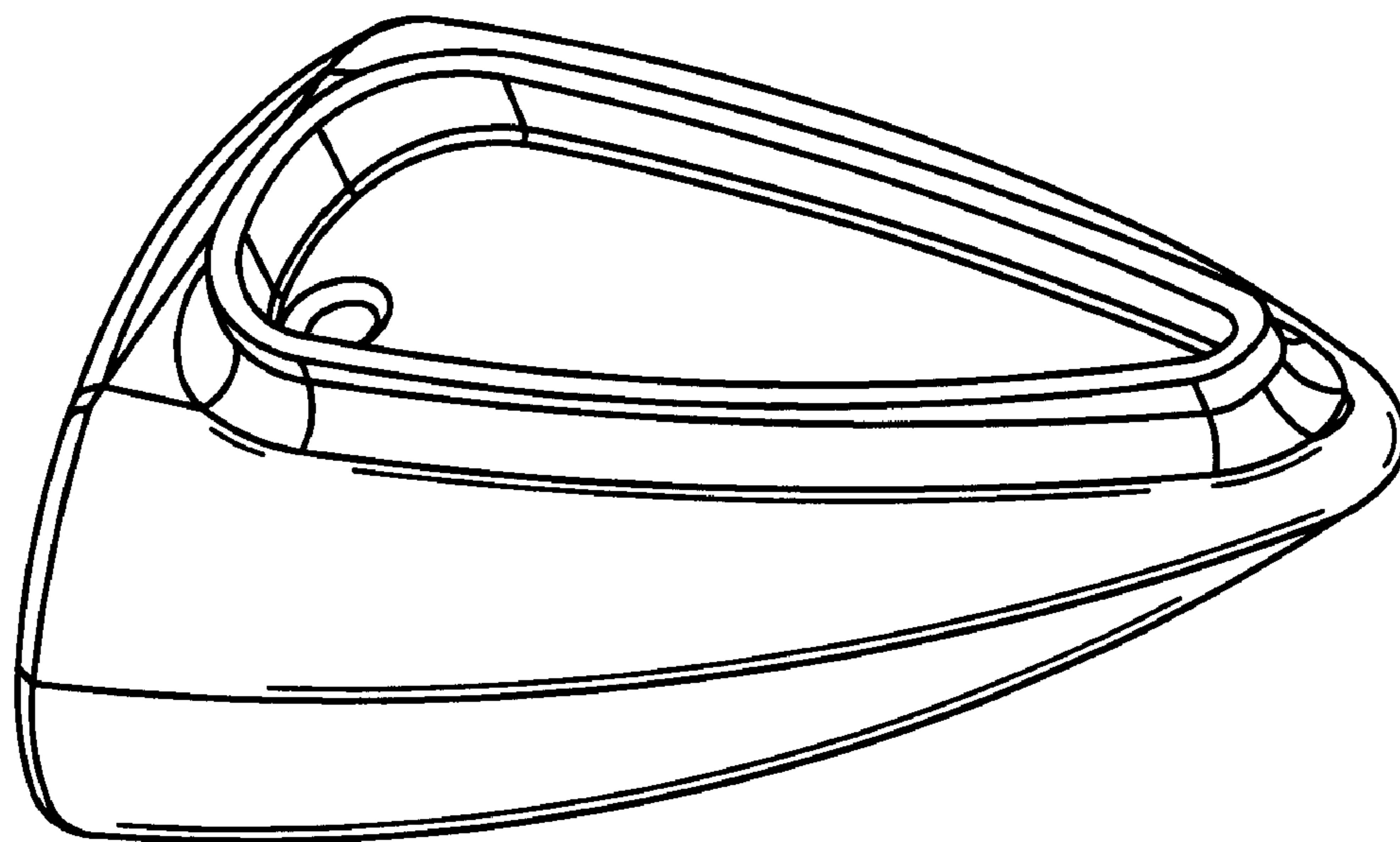


FIG. 2

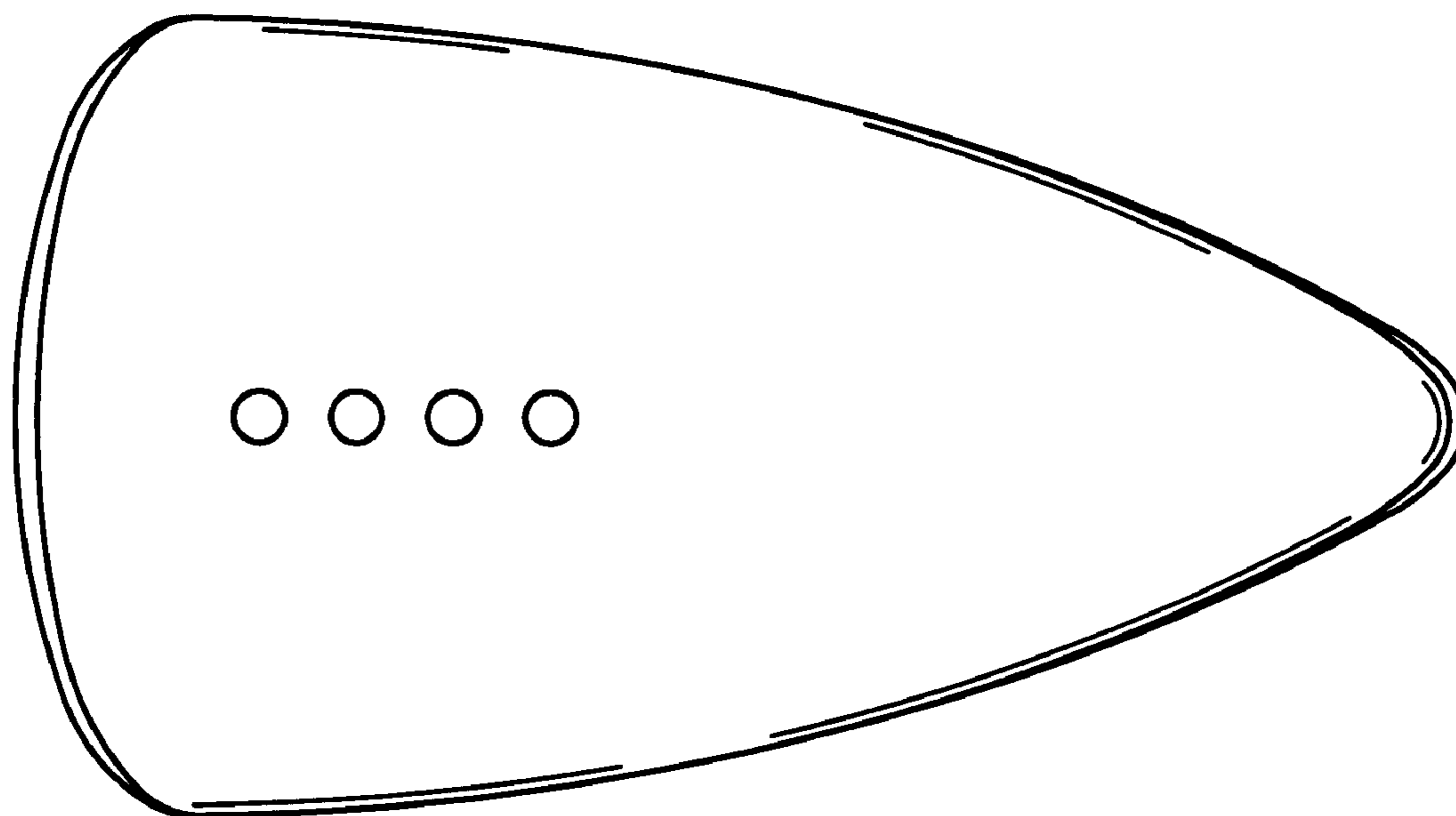


FIG. 3

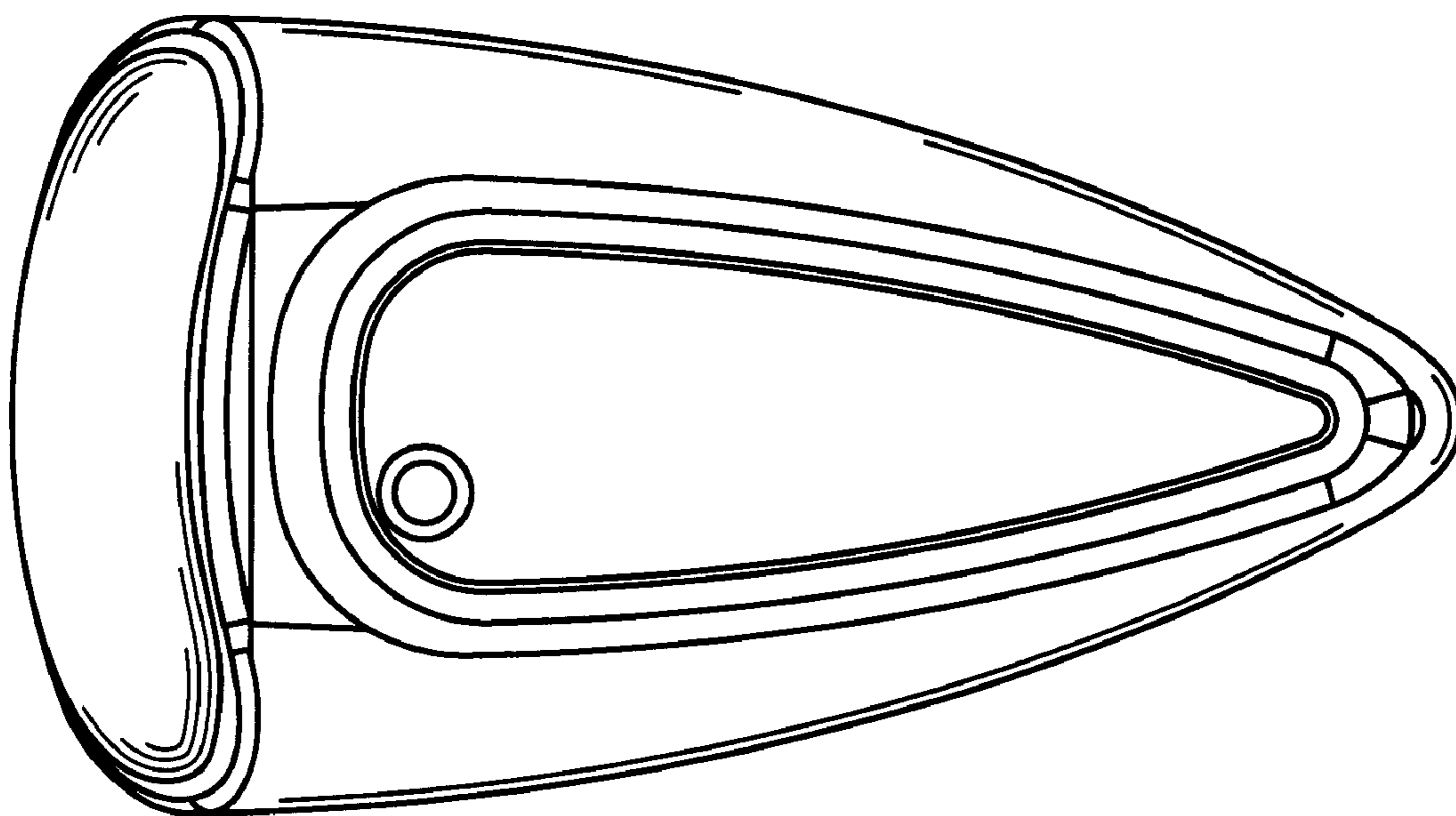


FIG. 4

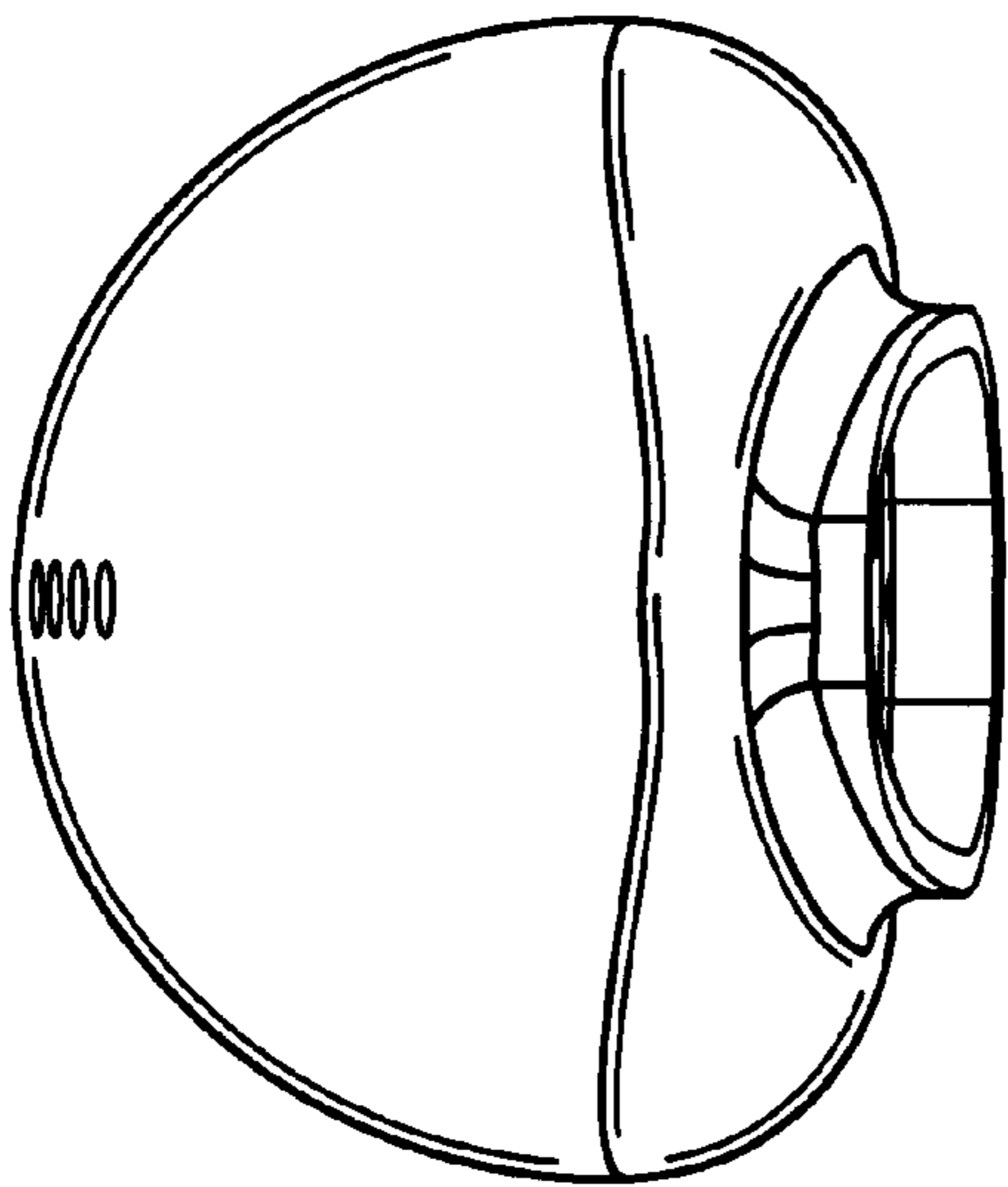


FIG. 5

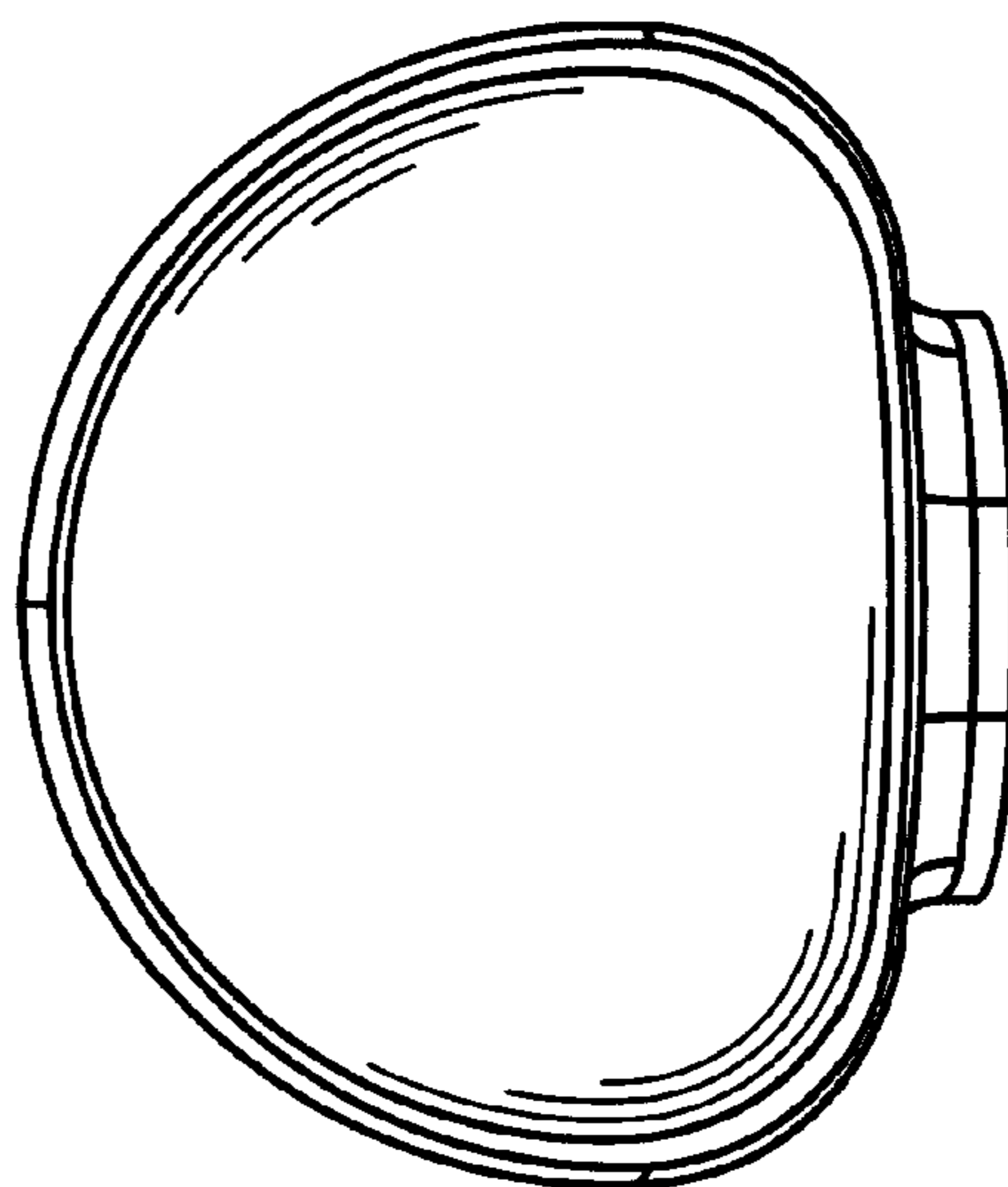


FIG. 6

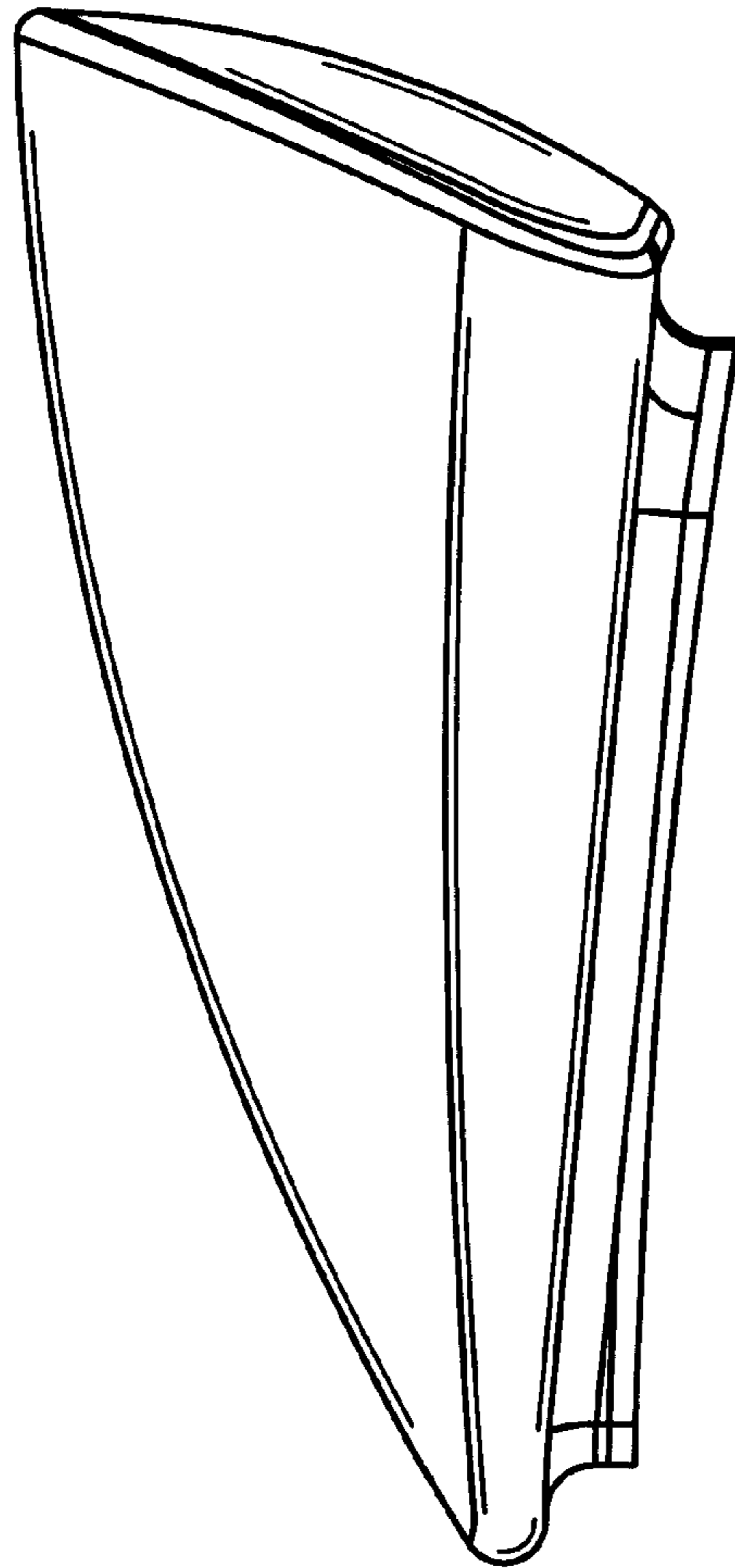


FIG. 7