



US00D576932S

(12) **United States Design Patent**
Strehler

(10) **Patent No.:** **US D576,932 S**

(45) **Date of Patent:** **** Sep. 16, 2008**

(54) **SPACER**

6,719,477 B2 4/2004 Vermoesen et al.

(75) Inventor: **Richard E. Strehler**, Bremen, IN (US)

* cited by examiner

(73) Assignee: **Robert Bosch GmbH**, Stuttgart (DE)

Primary Examiner—Holly H. Baynham

(**) Term: **14 Years**

(74) *Attorney, Agent, or Firm*—Leo H. McCormick, Jr.; Sarah Taylor

(21) Appl. No.: **29/224,348**

(57) **CLAIM**

(22) Filed: **Mar. 1, 2005**

The ornamental design of a spacer, as shown and described.

(51) **LOC (8) Cl.** **12-16**

(52) **U.S. Cl.** **D12/180**

(58) **Field of Classification Search** D12/180;
D8/354; 91/376 R

See application file for complete search history.

DESCRIPTION

FIG. 1 is a rear perspective view of a spacer showing my new design;

FIG. 2 is a bottom view of FIG. 1;

FIG. 3 is a rear elevation view of FIG. 1;

FIG. 4 is a side elevation view of FIG. 1;

FIG. 5 is a front elevation view of FIG. 1; and,

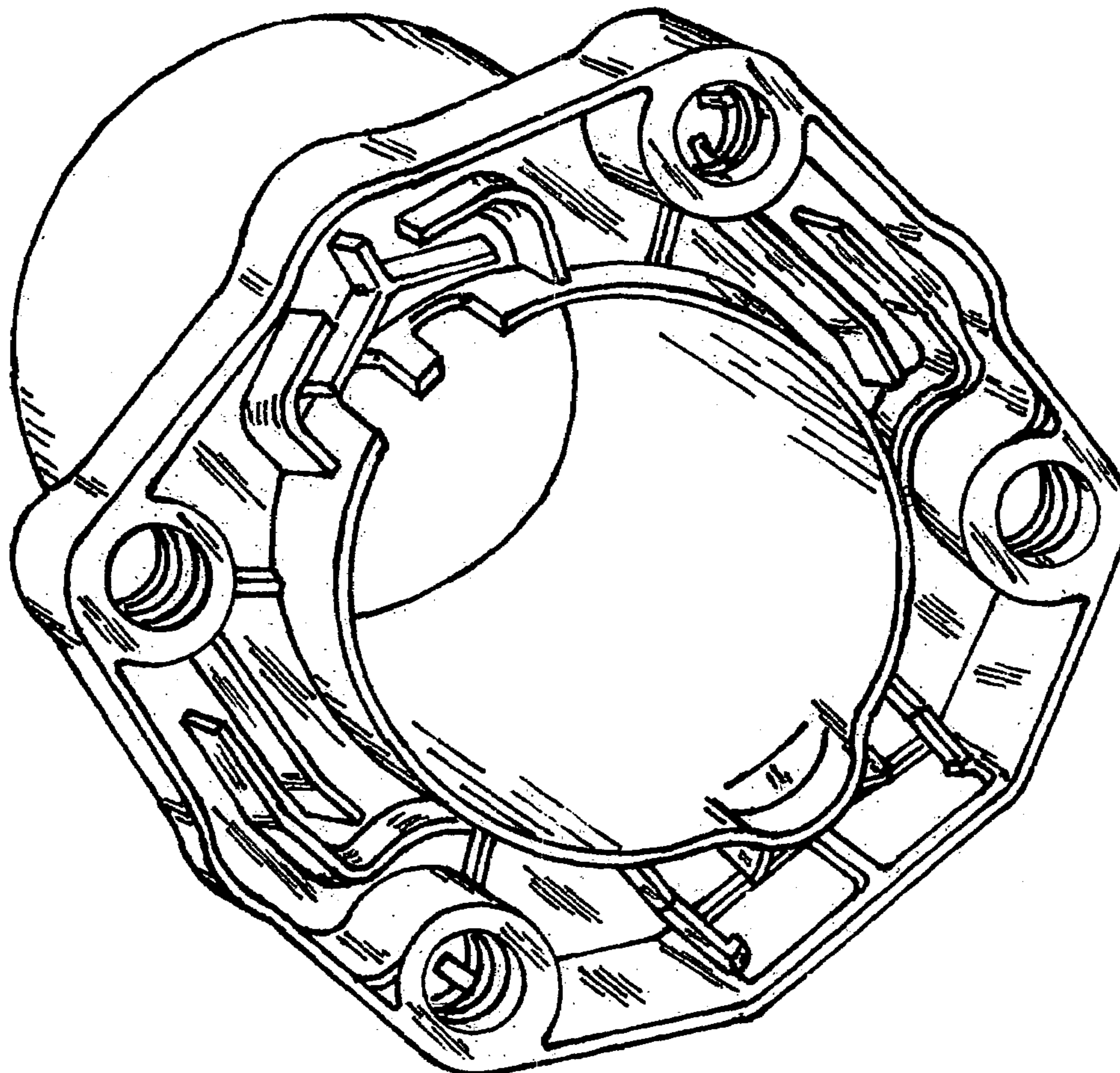
FIG. 6 is a top view of FIG. 1.

(56) **References Cited**

U.S. PATENT DOCUMENTS

D408,268 S * 4/1999 Dunn D8/354
6,679,161 B2 * 1/2004 Vermoesen et al. 91/376 R
D487,039 S 2/2004 Webster et al.

1 Claim, 3 Drawing Sheets



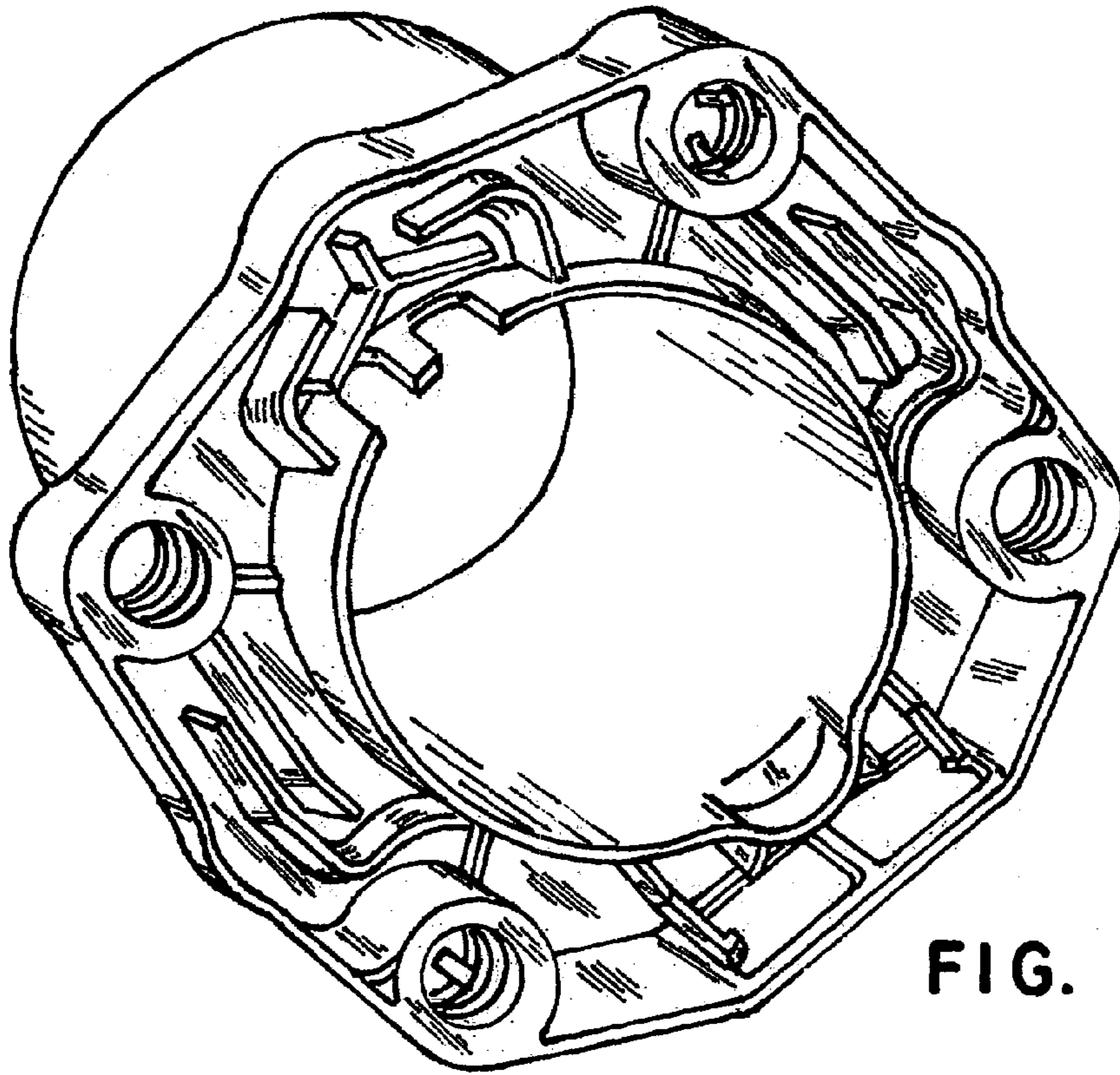


FIG. 1

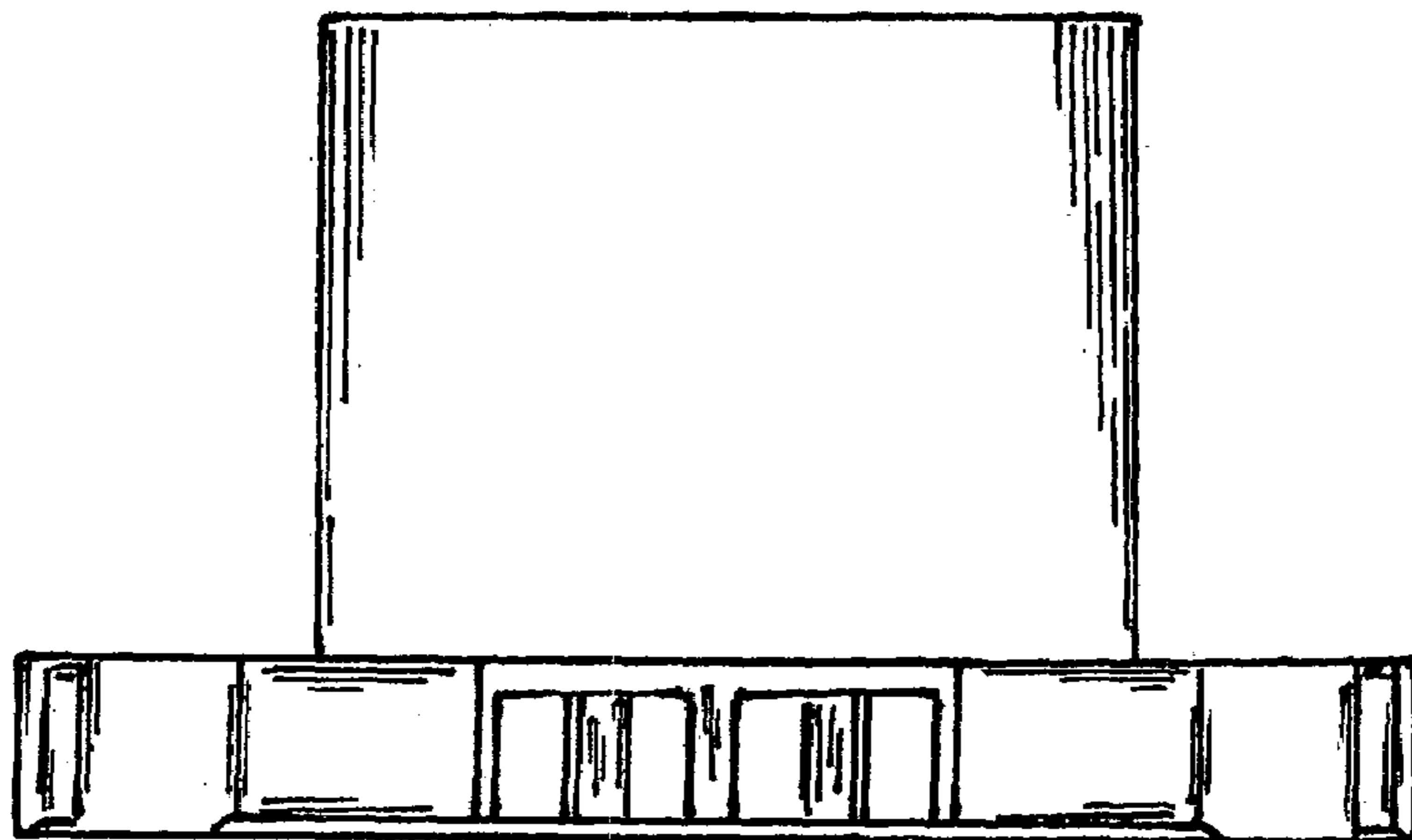


FIG. 2

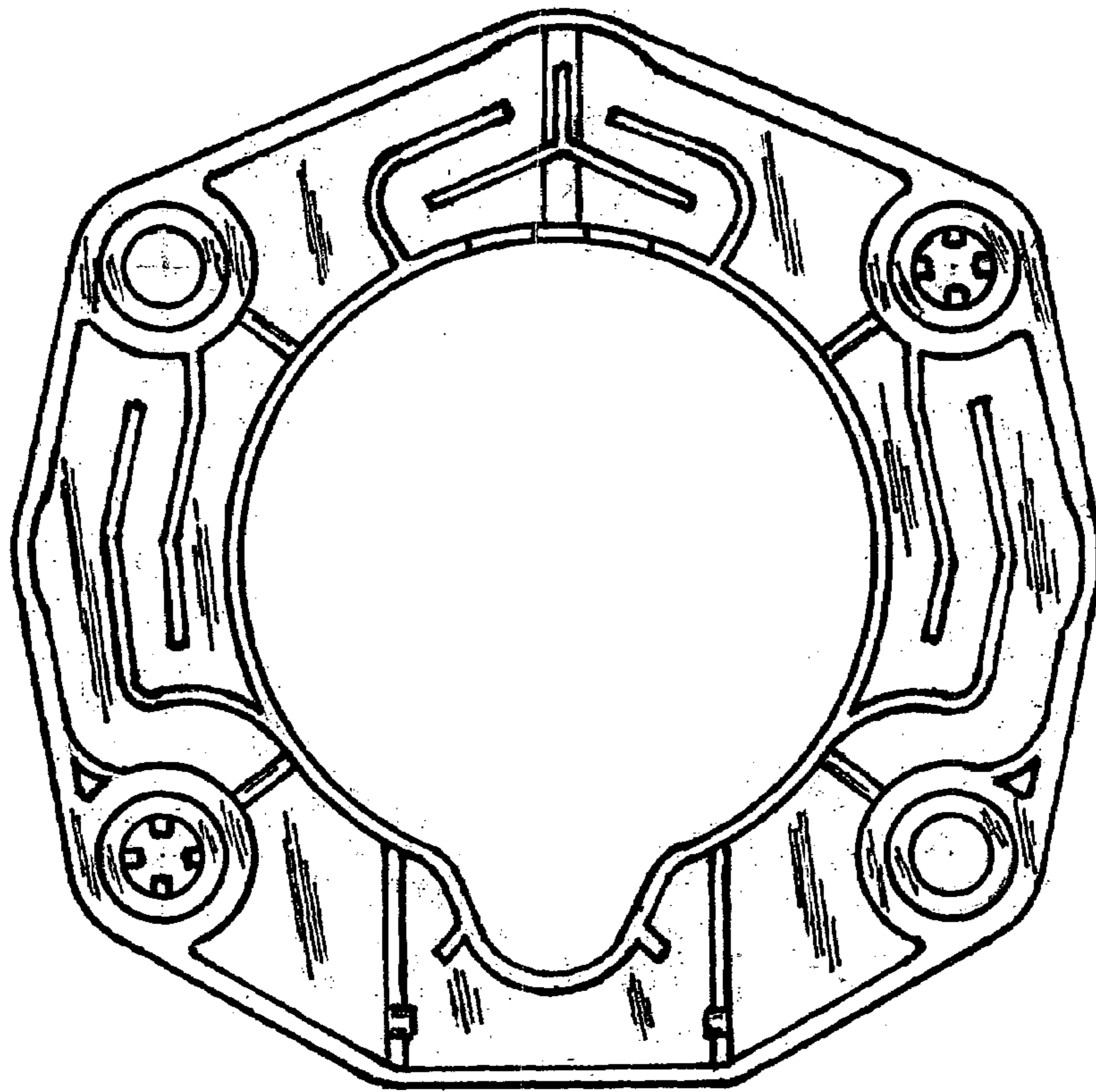


FIG. 3

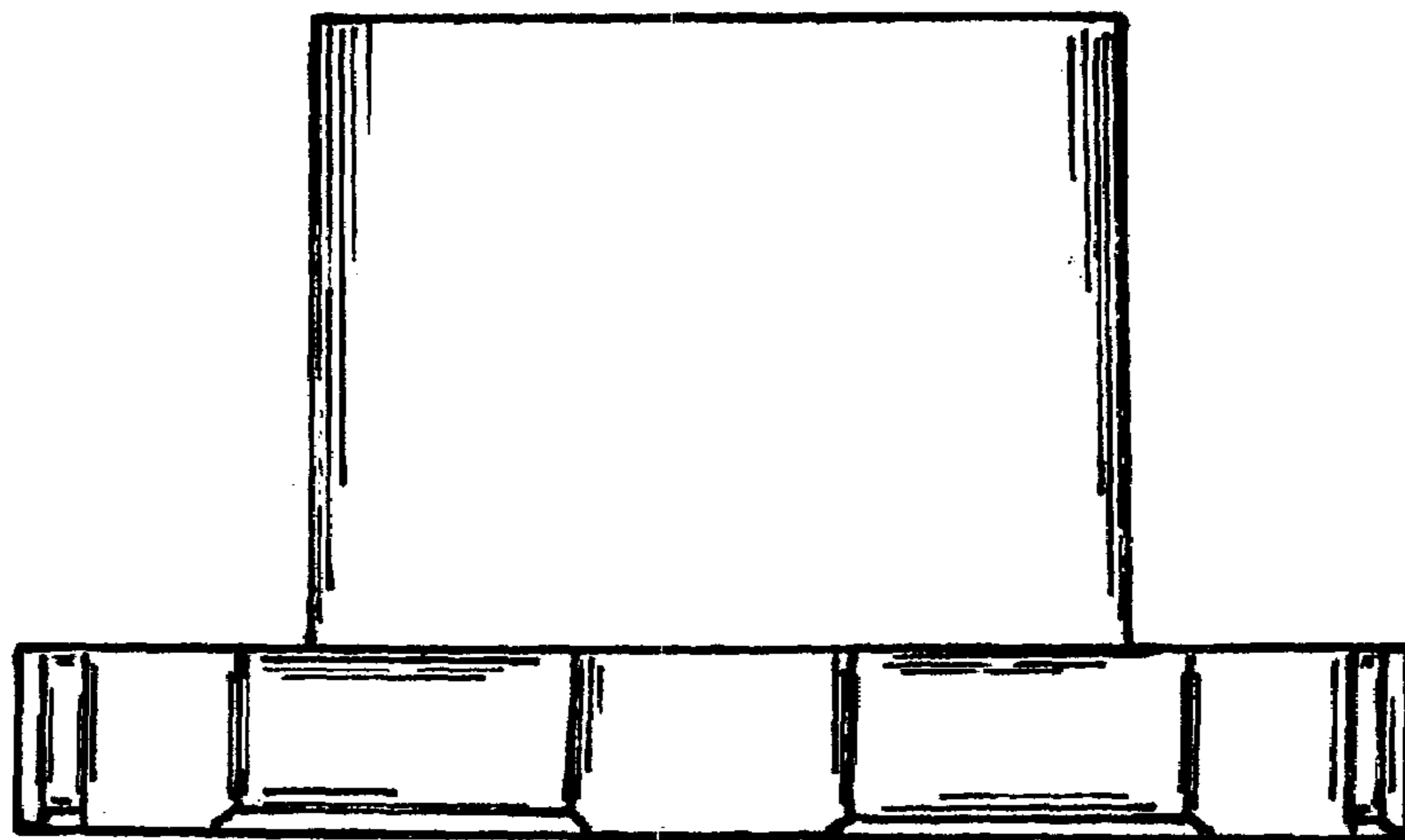


FIG. 4

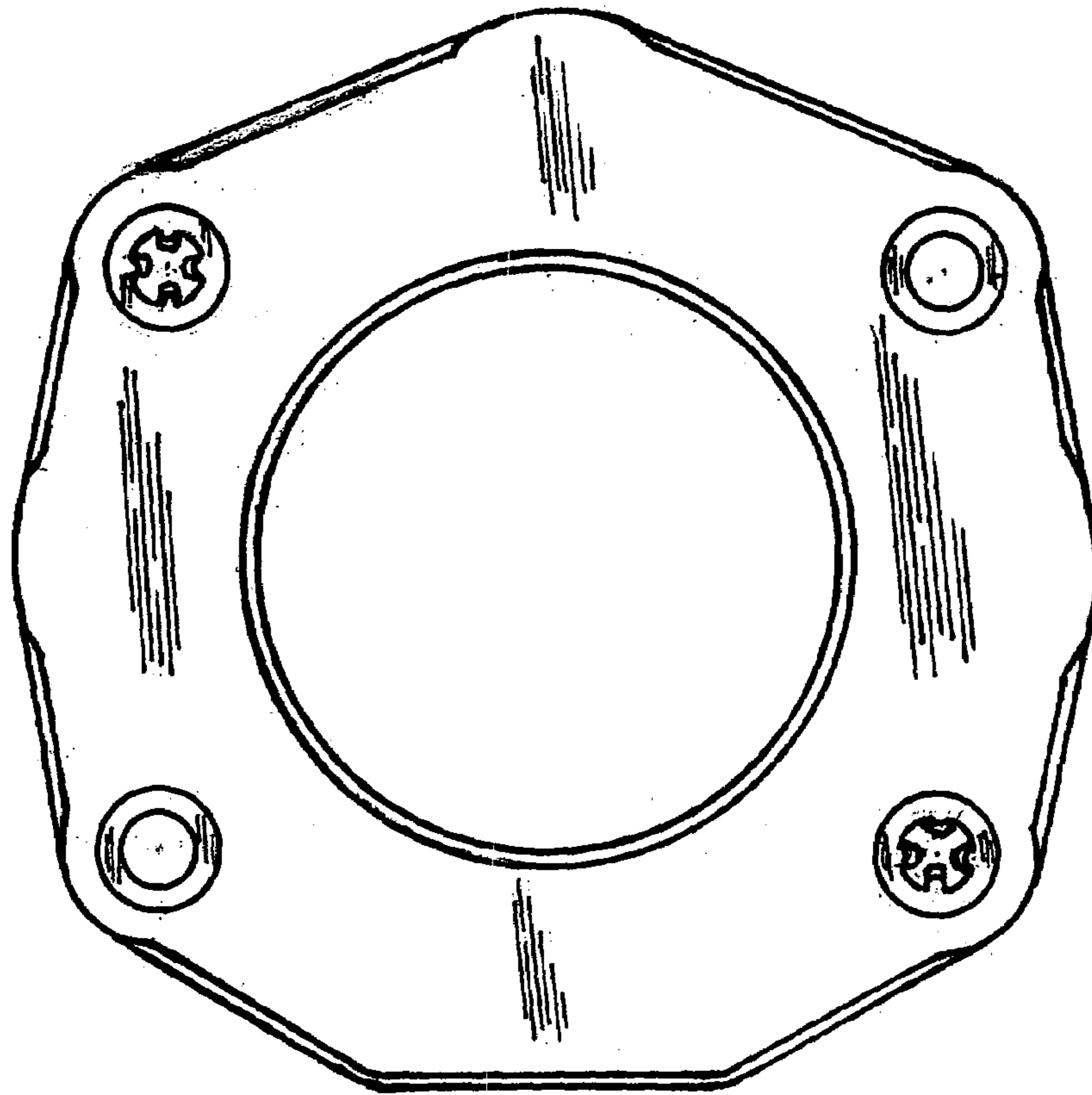


FIG. 5

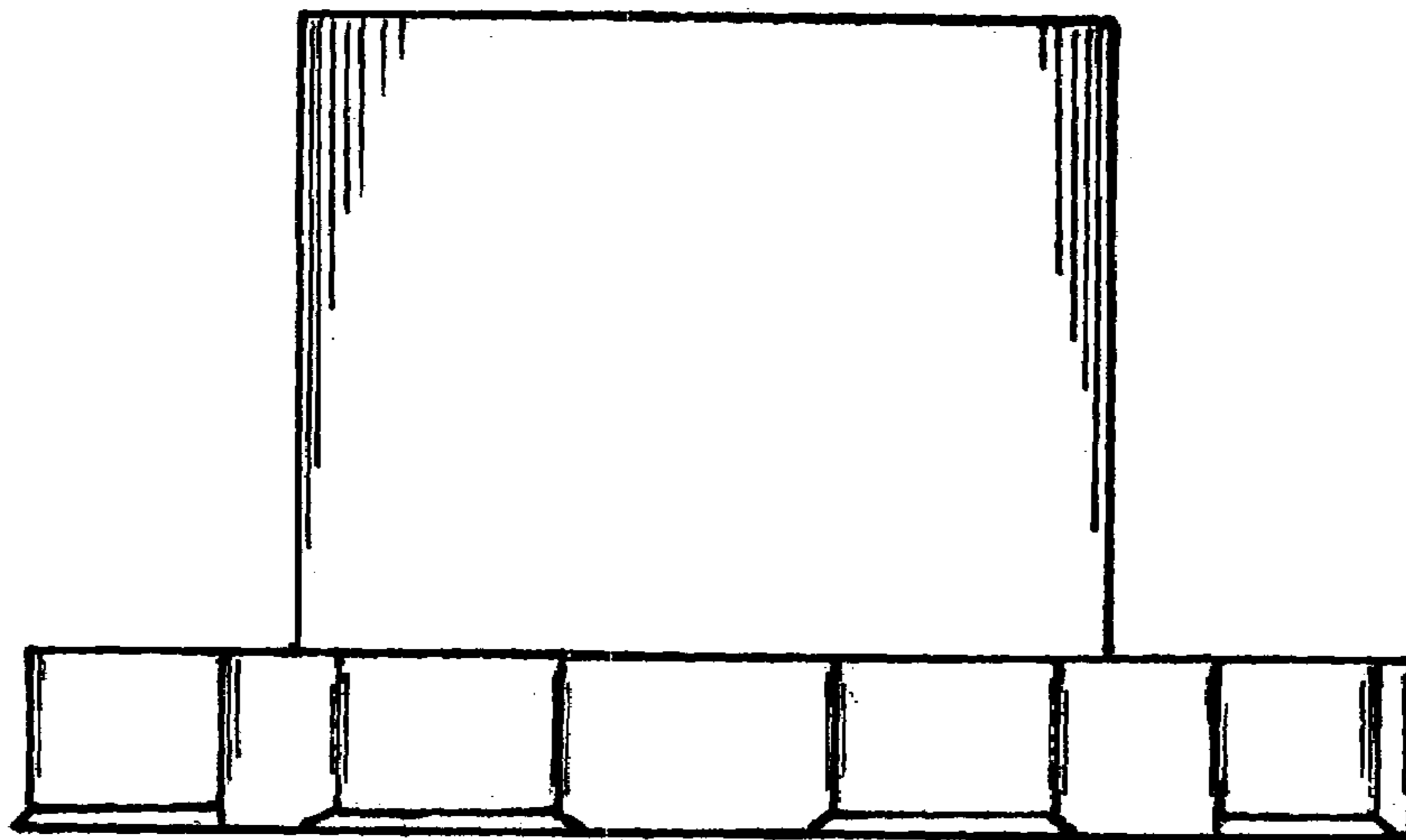


FIG. 6