



US00D576926S

(12) **United States Design Patent**
Hettler

(10) **Patent No.:** **US D576,926 S**

(45) **Date of Patent:** **** Sep. 16, 2008**

(54) **CLADDING OF A FRONT BUMPER FOR A VEHICLE**

D547,706 S * 7/2007 Markefka D12/169

* cited by examiner

(75) Inventor: **Jan Hettler**, Munich (DE)

Primary Examiner—Melody N Brown

(73) Assignee: **Bayerische Motoren Werke Aktiengesellschaft**, Munich (DE)

(74) *Attorney, Agent, or Firm*—Crowell & Moring LLP

(**) Term: **14 Years**

(57) **CLAIM**

(21) Appl. No.: **29/290,182**

The ornamental design for a cladding of a front bumper for a vehicle, as shown and described.

(22) Filed: **Nov. 1, 2007**

DESCRIPTION

(51) **LOC (8) Cl.** **12-16**

This application is related to the following co-pending applications: application Ser. No. 29/290,181, entitled "Vehicle, Toy, or Likeness Thereof"; and application Ser. No. 29/290,180, entitled "Front Bumper for a Vehicle".

(52) **U.S. Cl.** **D12/169**

(58) **Field of Classification Search** D12/169, D12/196, 171, 163, 216, 90-92, 86; 293/102, 293/113, 115, 117, 120; 296/180.1, 180.2
See application file for complete search history.

FIG. 1 is a left perspective view of a cladding of a front bumper for a vehicle according to my novel design;

FIG. 2 is a right perspective view thereof;

FIG. 3 is a front view thereof;

FIG. 4 is a left side view thereof; and,

FIG. 5 is a right side view thereof.

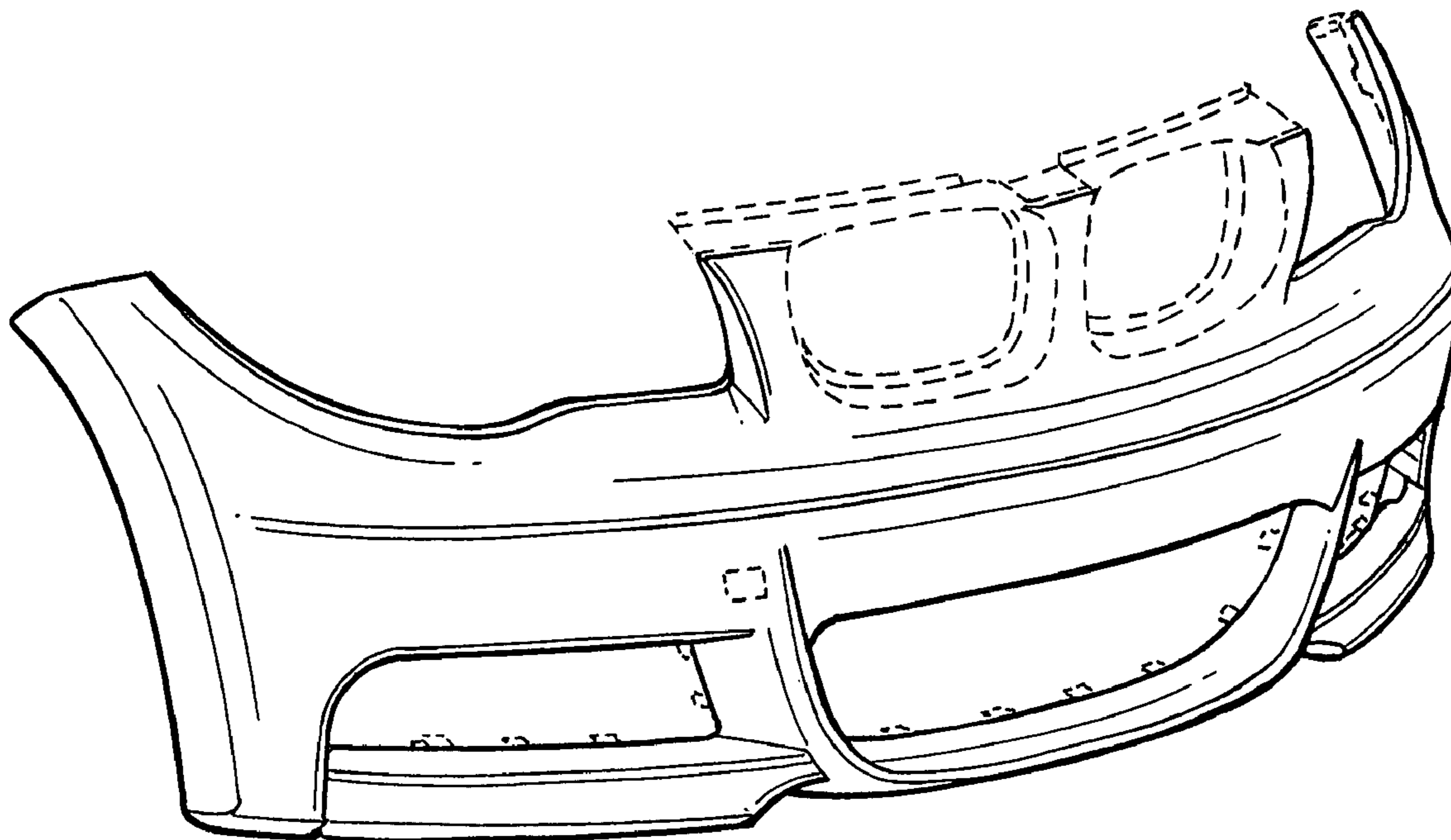
(56) **References Cited**

U.S. PATENT DOCUMENTS

D494,899 S	8/2004	Chapman	
D514,990 S *	2/2006	Nagashima	D12/169
D516,972 S *	3/2006	Baum	D12/169
D532,347 S *	11/2006	Truebsbach	D12/169
D536,285 S *	2/2007	Sycha	D12/169

The broken lines are for illustrative purposes only and form no part of the claimed design.

1 Claim, 2 Drawing Sheets



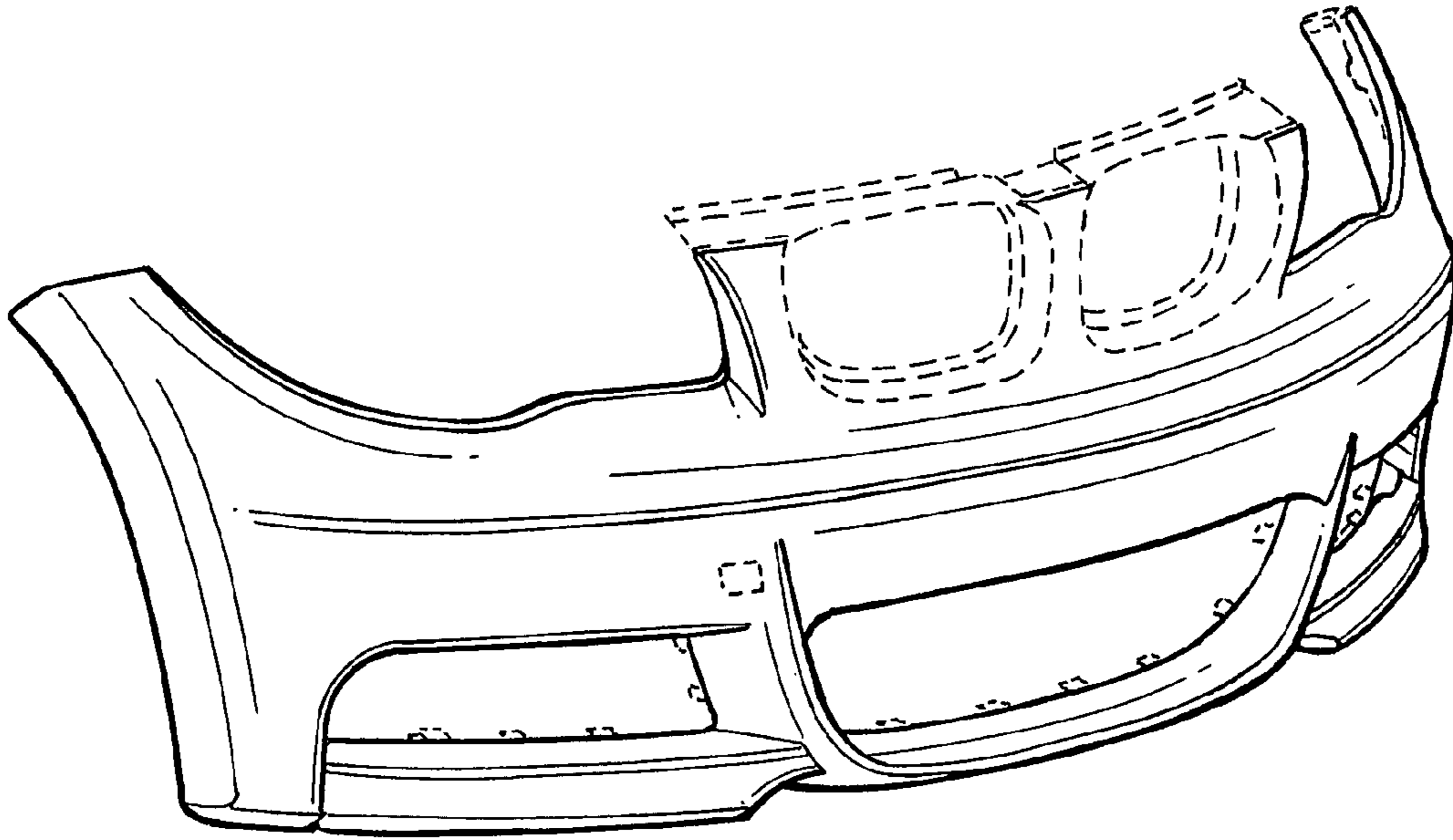


FIG. 1

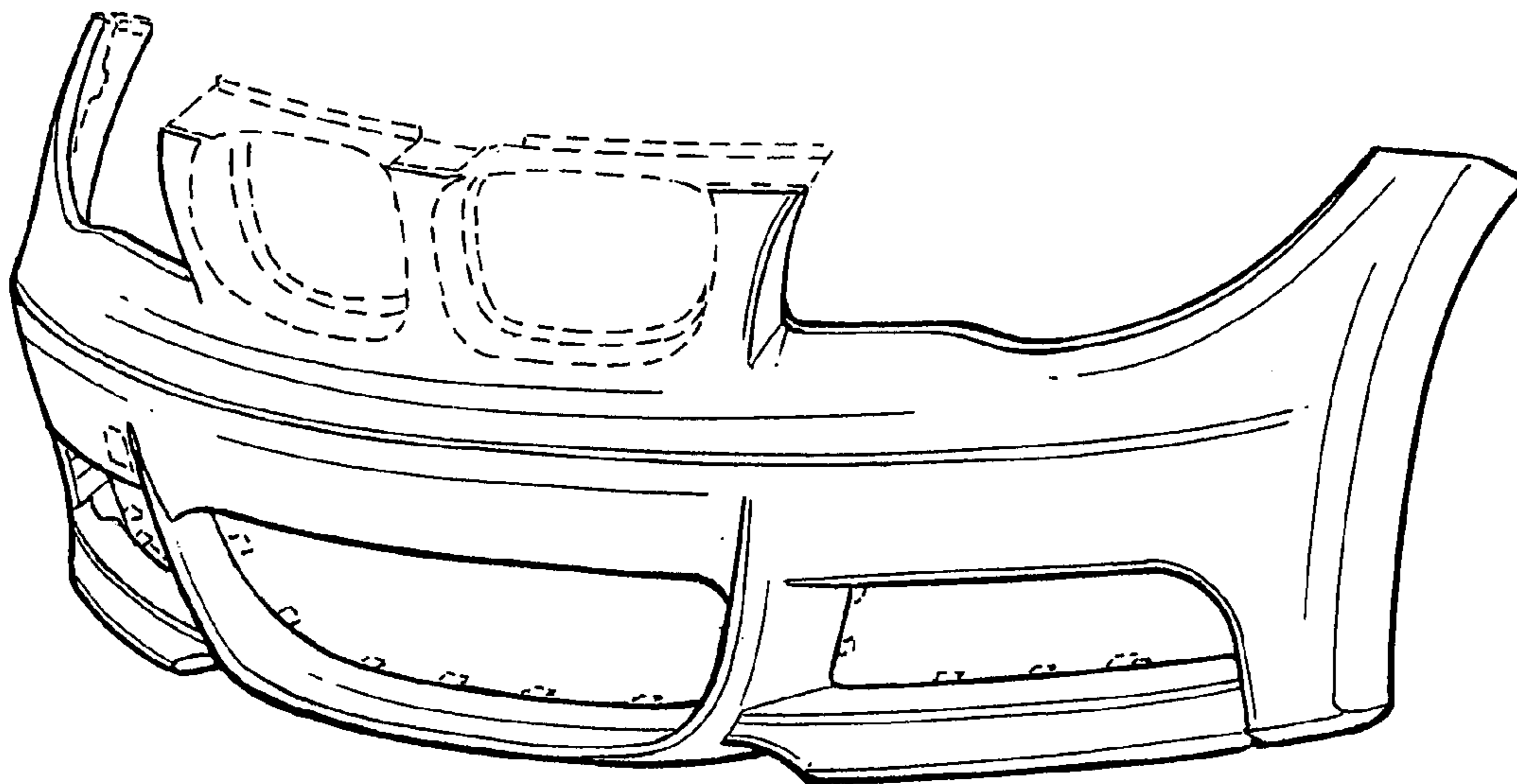


FIG. 2

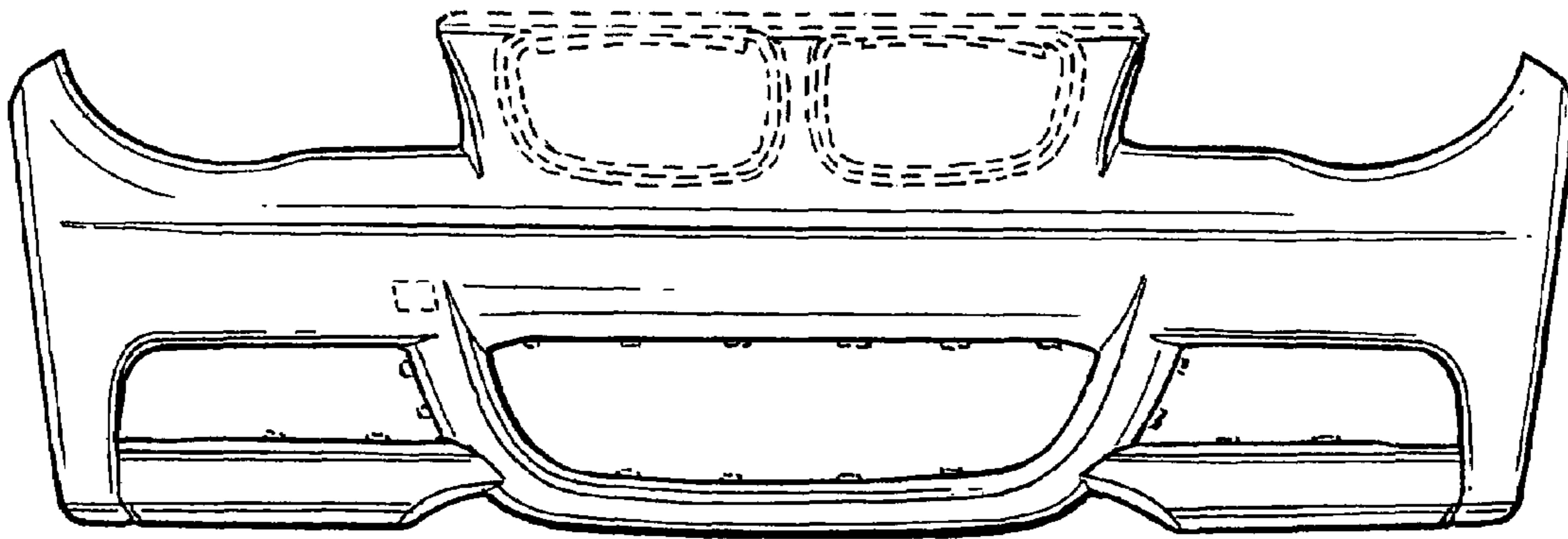


FIG. 3

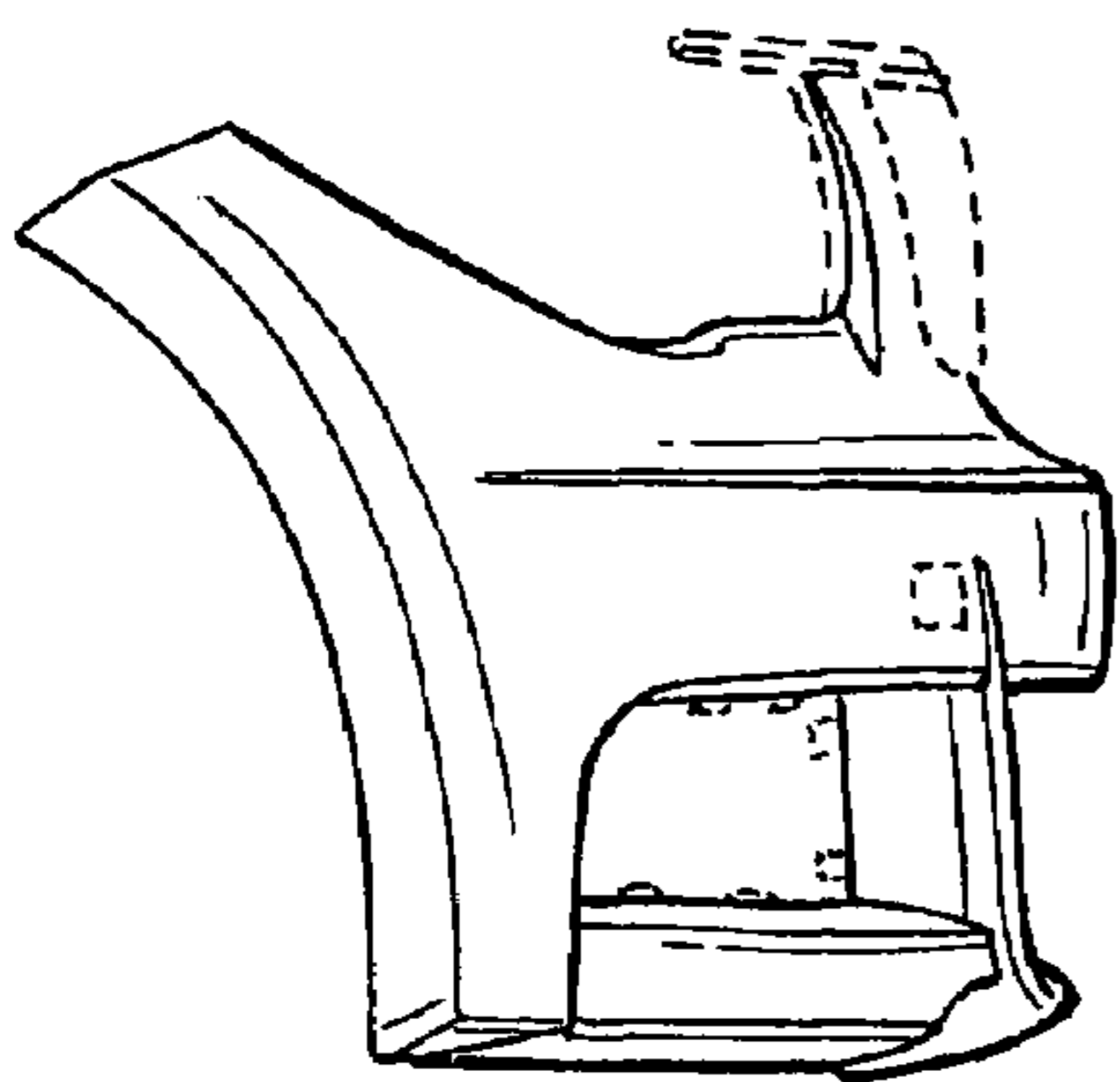


FIG. 4

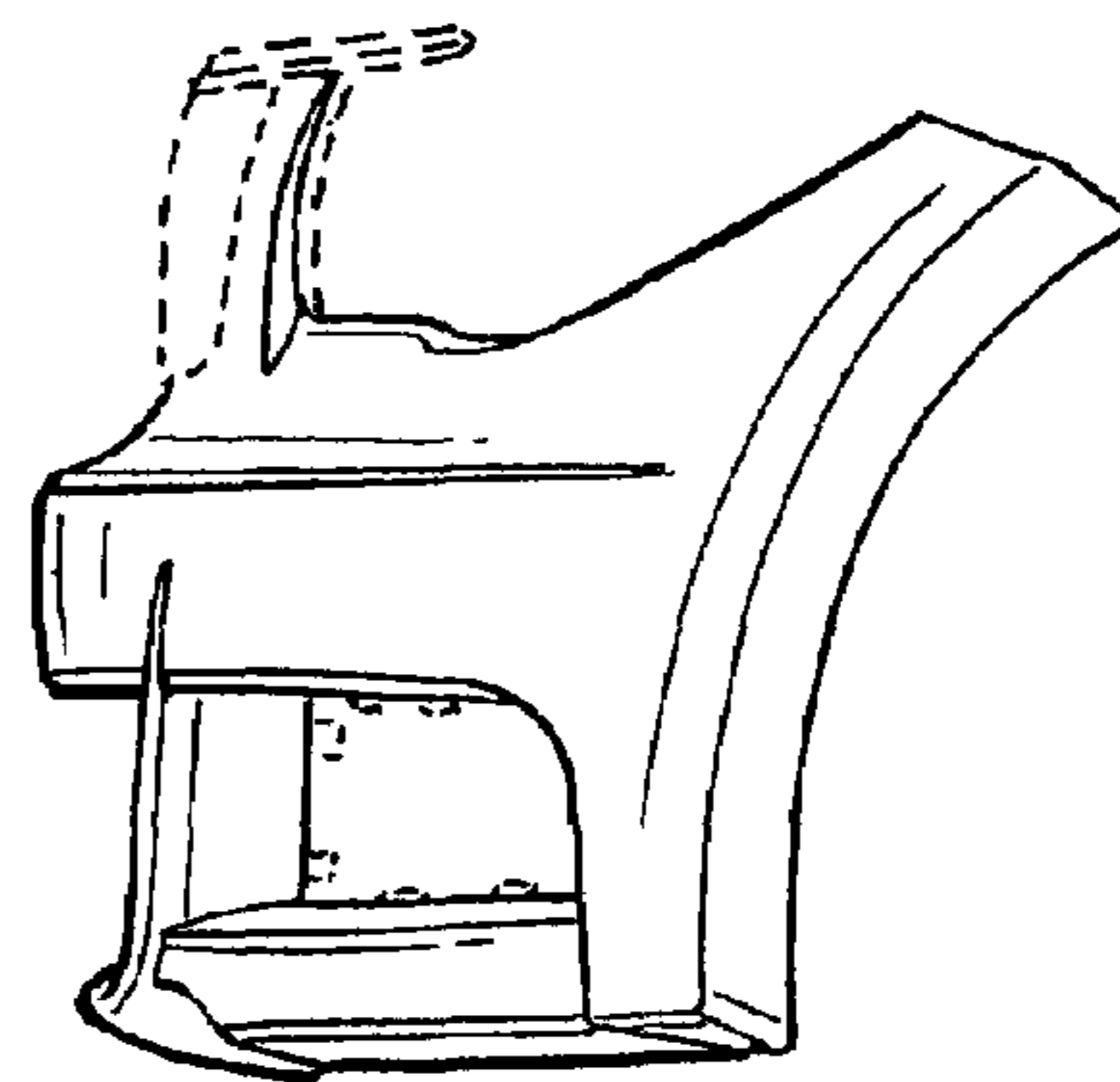


FIG. 5