

US00D576922S

(12) **United States Design Patent**
Ceccarelli et al.

(10) **Patent No.:** **US D576,922 S**
(45) **Date of Patent:** **** Sep. 16, 2008**

(54) **AXLE END CAP PLUG**

(75) Inventors: **Charles J. Ceccarelli**, Mountain Home, ID (US); **Kevin B. Haight**, Royal Oak, MI (US)

(73) Assignee: **Inventive, LLC**, Mountain Home, ID (US)

(**) Term: **14 Years**

(21) Appl. No.: **29/291,150**

(22) Filed: **Aug. 16, 2007**

(51) **LOC (8) Cl.** **12-16**

(52) **U.S. Cl.** **D12/160**

(58) **Field of Classification Search** D12/400,
D12/340, 161, 159, 120, 118, 114; 280/11.225,
280/86.752; 188/315, 316, 298, 274, 281,
188/286, 297; 293/134; 267/195; 279/2.01,
279/2.17

See application file for complete search history.

(56) **References Cited**

U.S. PATENT DOCUMENTS

D11,641 S *	2/1880	Ward	D12/159
D43,455 S *	1/1913	Cleaver	D12/400
D57,682 S *	4/1921	Leighton	D12/159
D344,254 S *	2/1994	Zimmerman	D12/159
6,179,308 B1 *	1/2001	Mielauskas et al.	180/252
D504,363 S *	4/2005	McGaughy	D12/160
D505,098 S *	5/2005	McGaughy	D12/160

* cited by examiner

Primary Examiner—Louis S Zarfaz
Assistant Examiner—Michael A Pratt
(74) *Attorney, Agent, or Firm*—Charles R. Clark

(57) **CLAIM**

The ornamental design for an axle end cap plug, as shown and described.

DESCRIPTION

FIG. 1 is a perspective view of a first embodiment of the axle end cap plug showing our new design;

FIG. 2 is a second perspective view of FIG. 1;

FIG. 3 is a top plan view of FIG. 1;

FIG. 4 is a bottom plan view of FIG. 1;

FIG. 5 is a side elevational view of FIG. 1;

FIG. 6 is a rear elevational view of FIG. 1;

FIG. 7 is a front elevational view of FIG. 1;

FIG. 8 is a perspective view of a second embodiment of the axle end cap plug showing our new design;

FIG. 9 is a second perspective view of FIG. 8;

FIG. 10 is a third perspective view of FIG. 8;

FIG. 11 is a top plan view of FIG. 8;

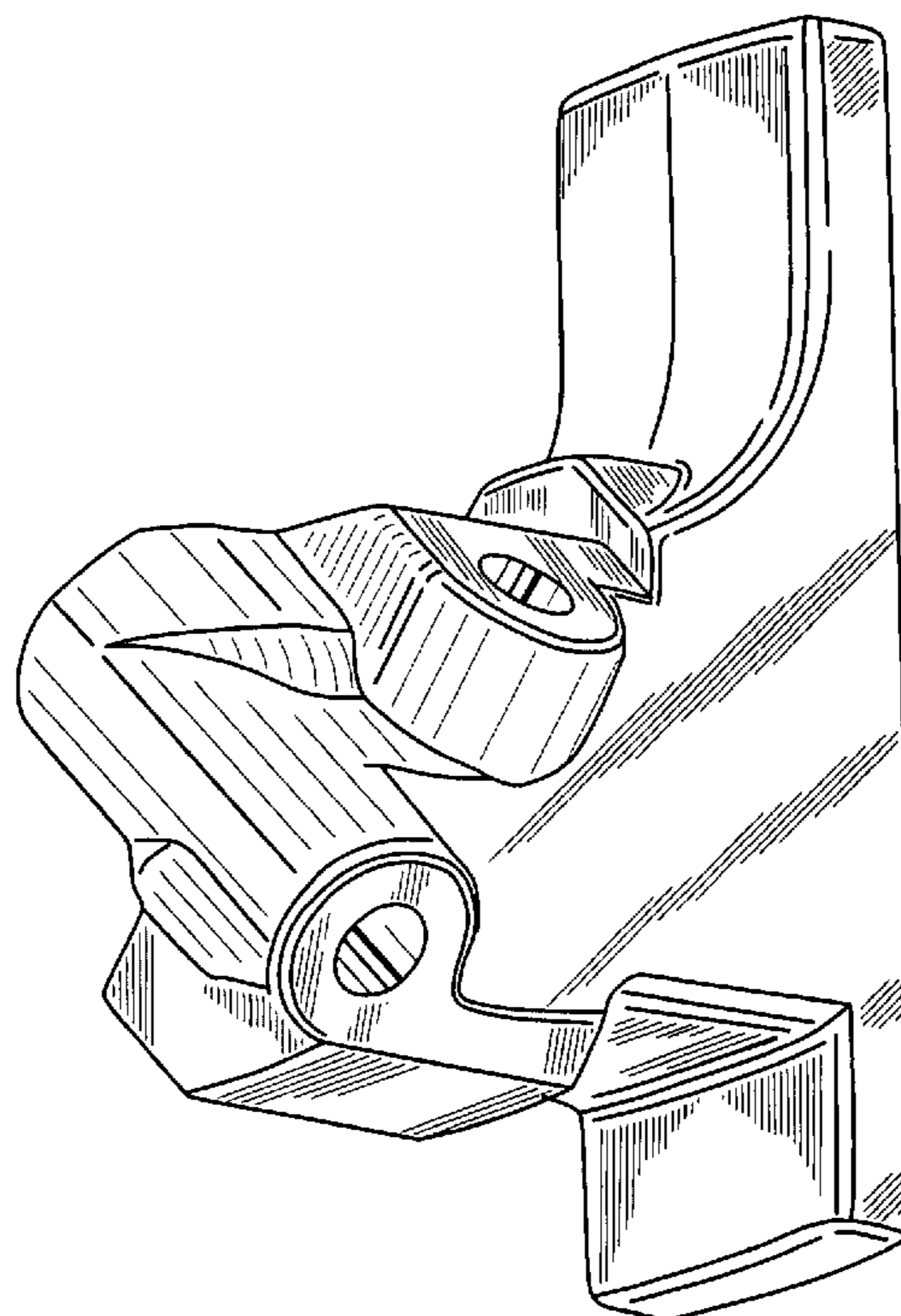
FIG. 12 is a bottom plan view of FIG. 8;

FIG. 13 is a side elevational view of FIG. 8;

FIG. 14 is a rear elevational view of FIG. 8; and,

FIG. 15 is a front elevational view of FIG. 8.

1 Claim, 6 Drawing Sheets



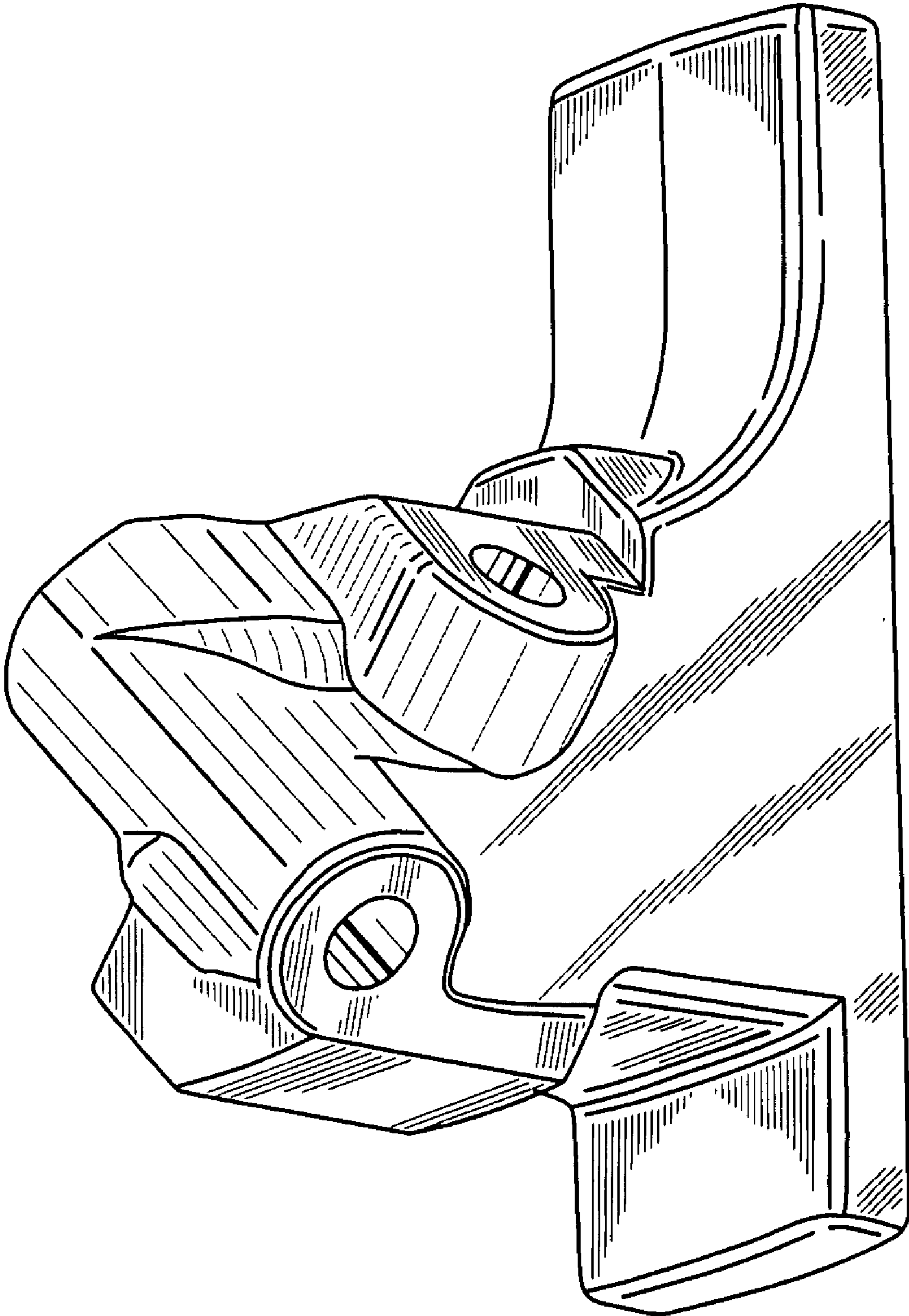


FIG. 1

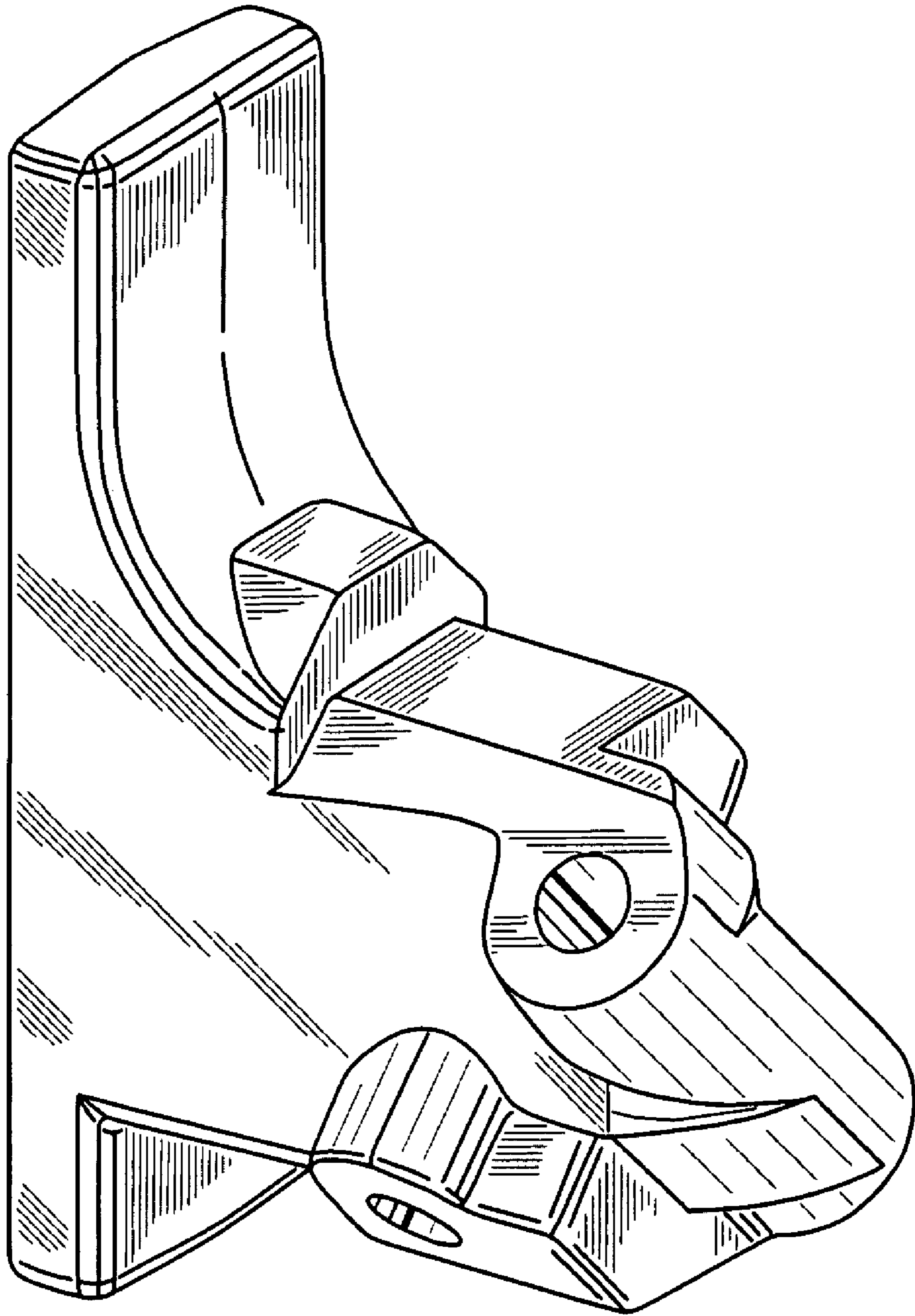


FIG. 2

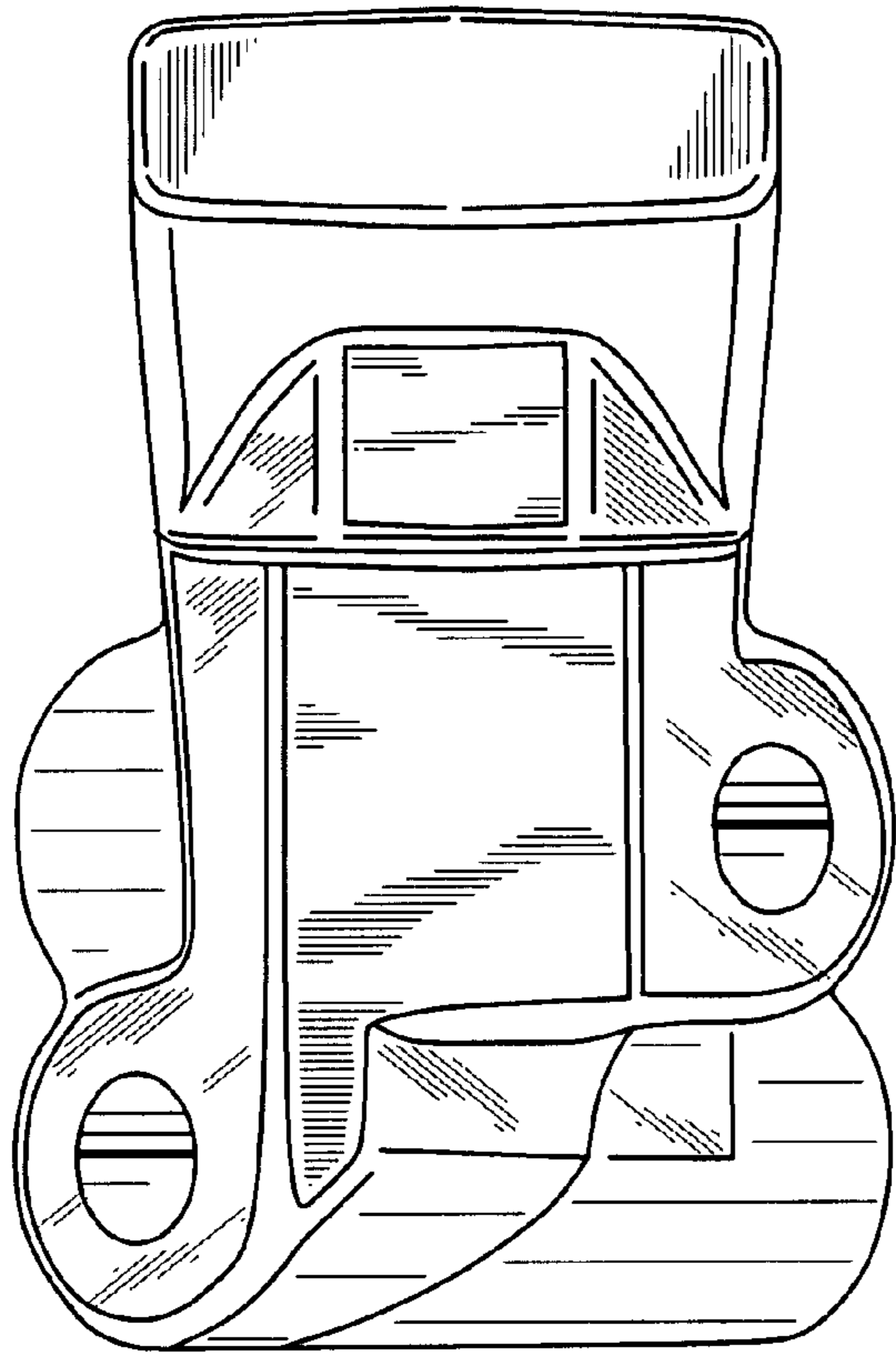


FIG. 3

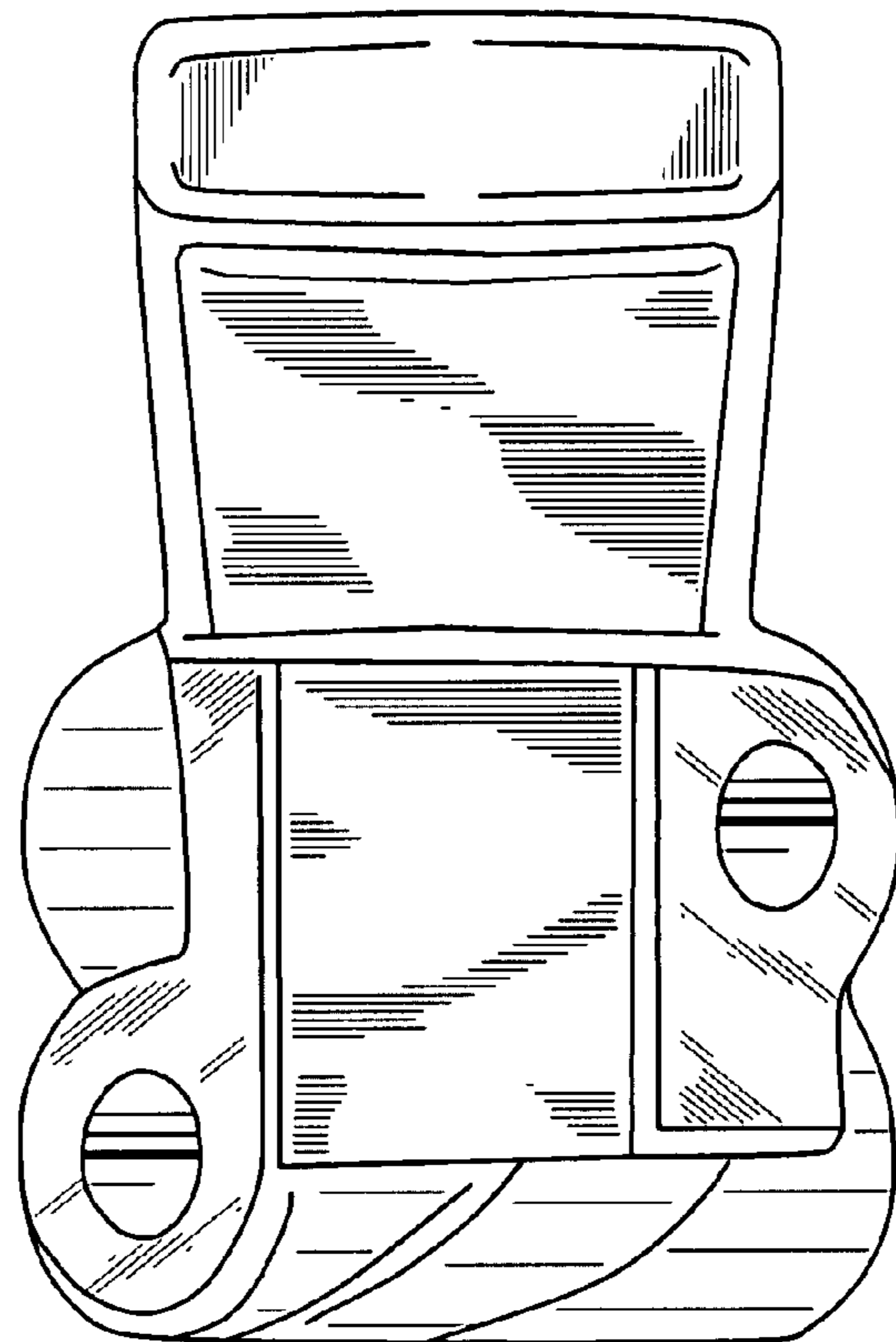


FIG. 4

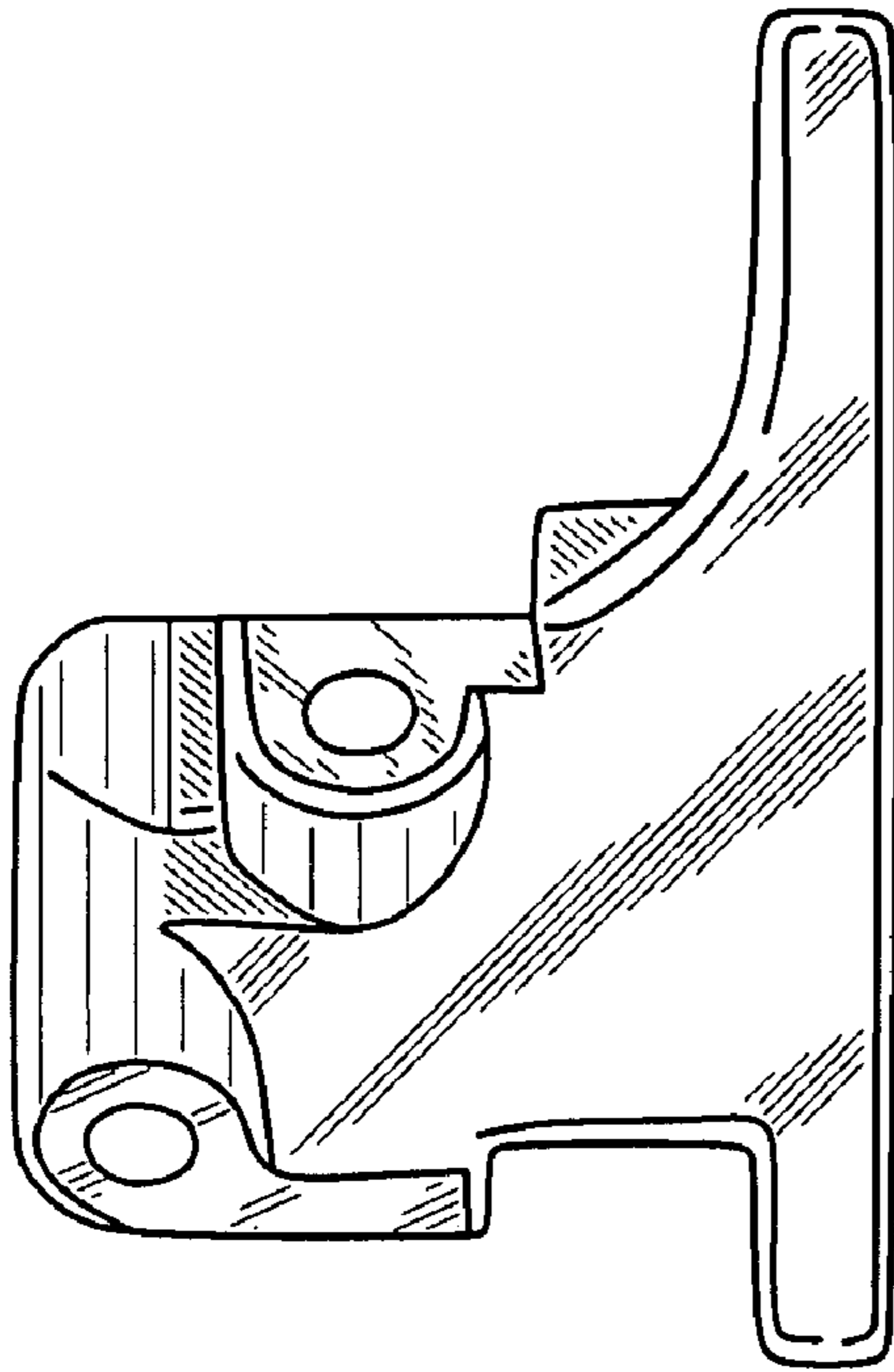


FIG. 5

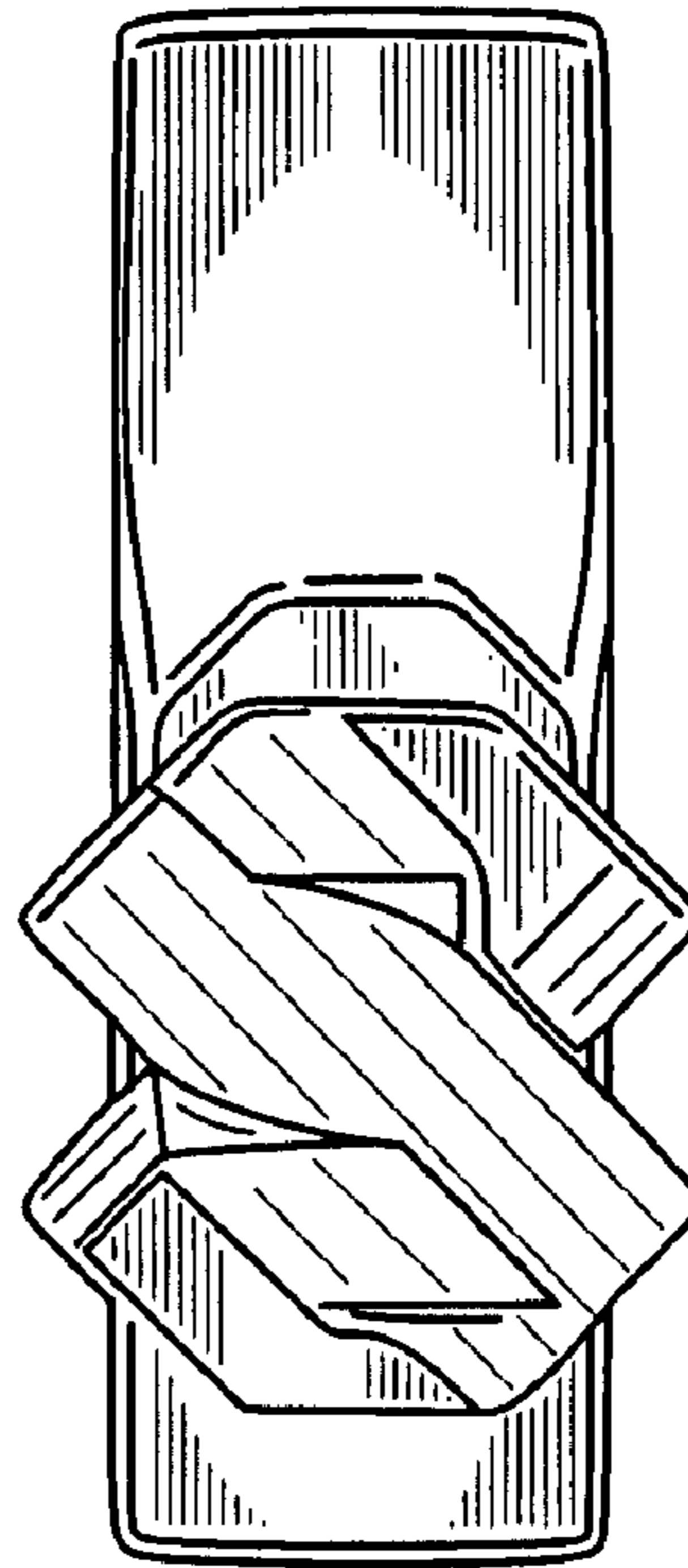


FIG. 6

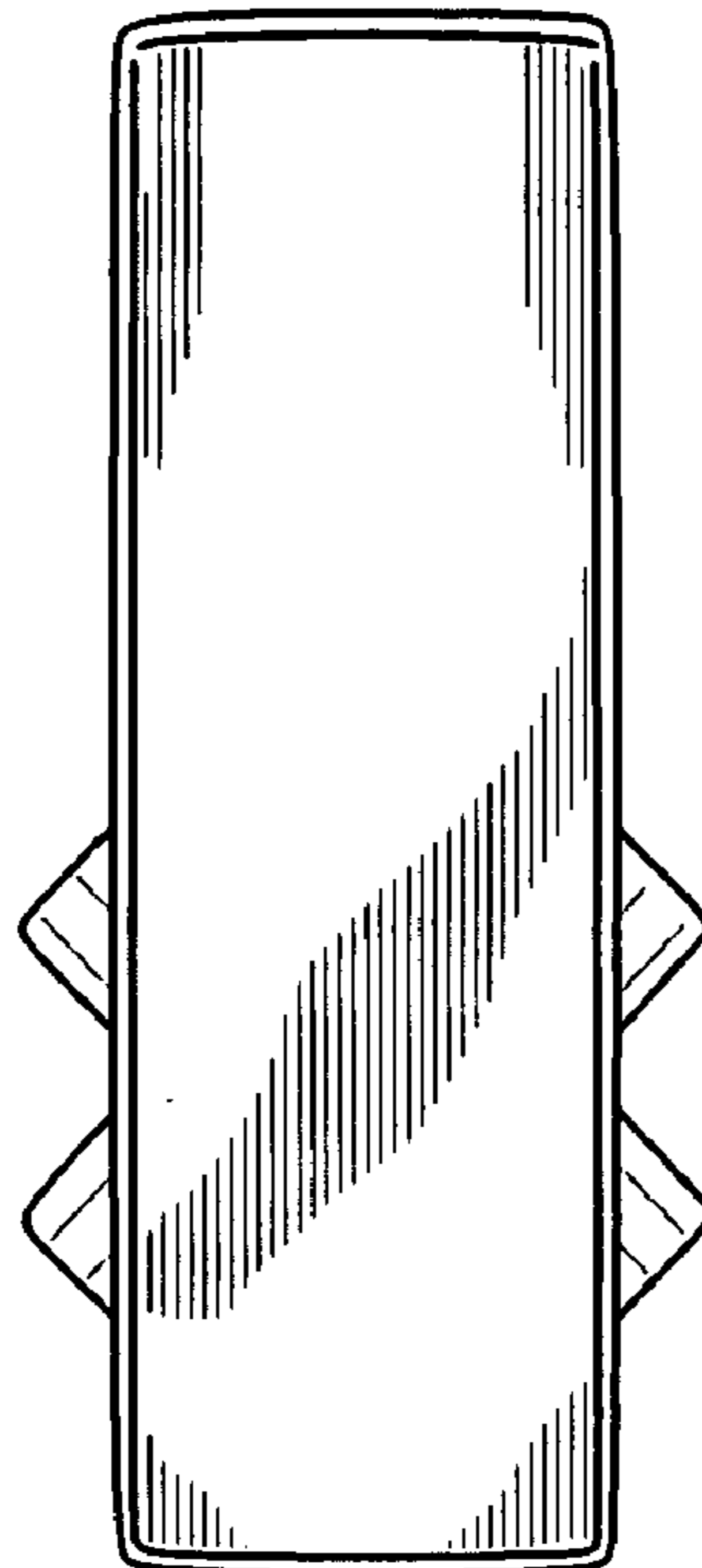


FIG. 7

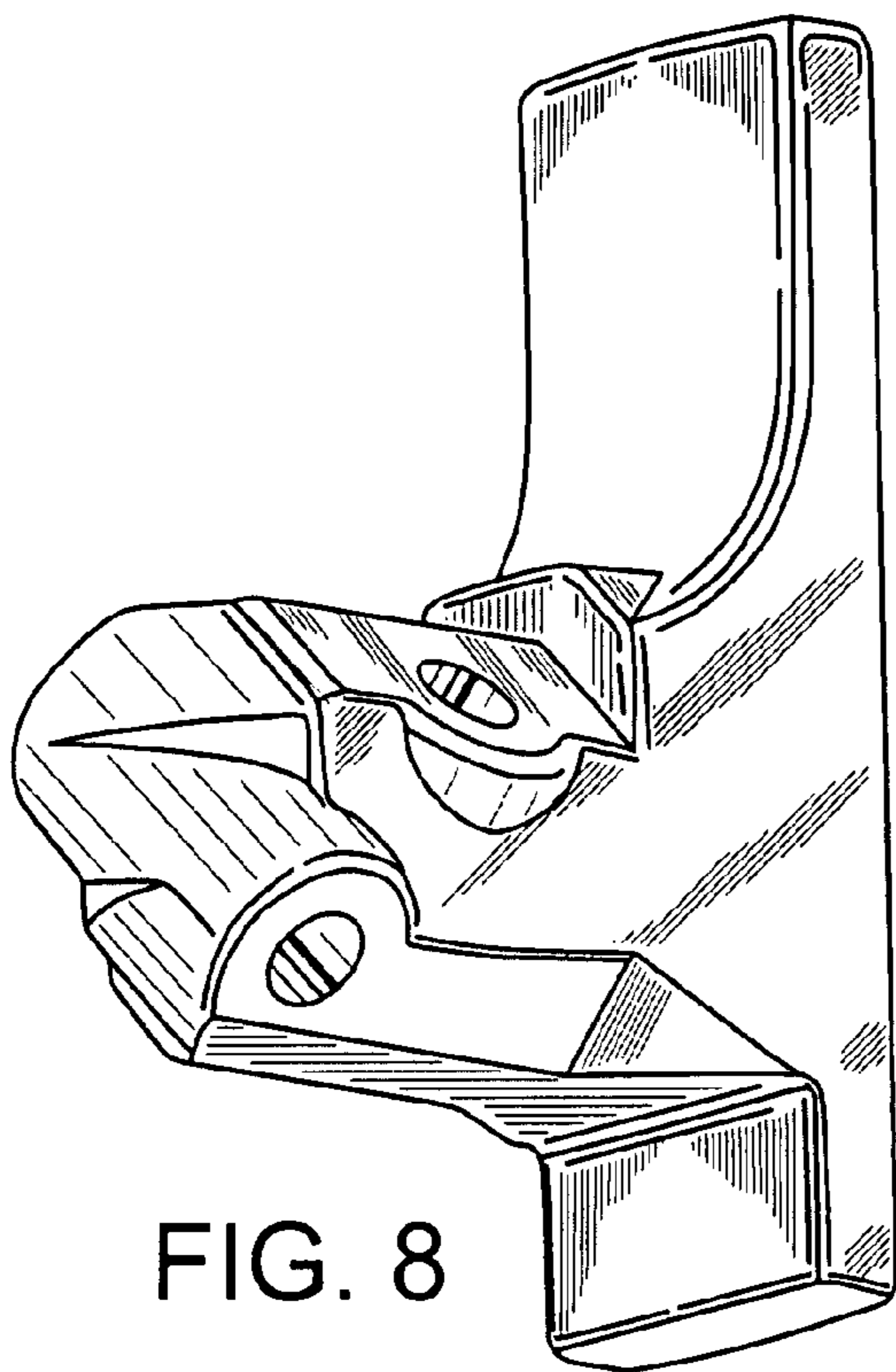


FIG. 8

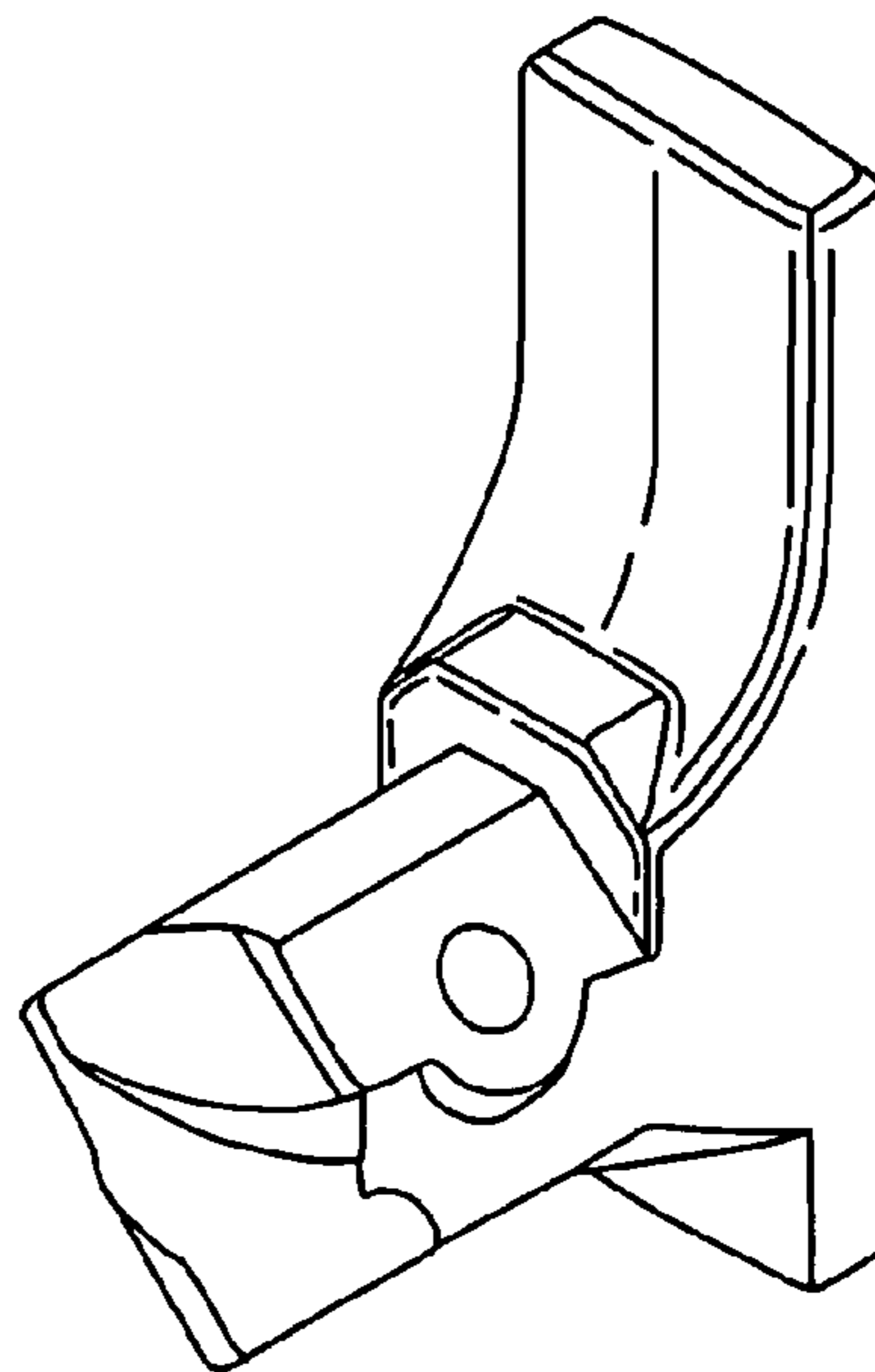


FIG. 9

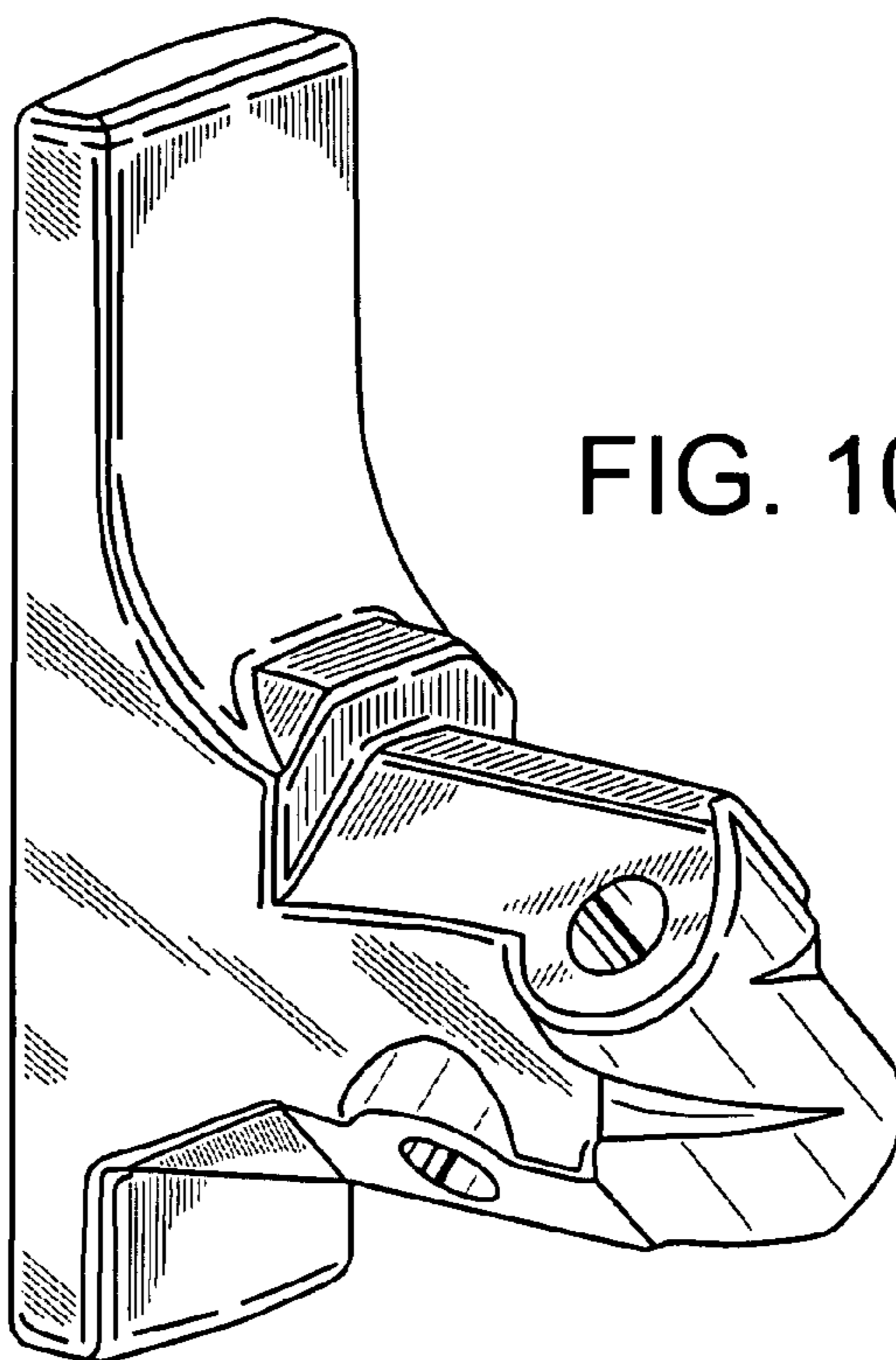


FIG. 10

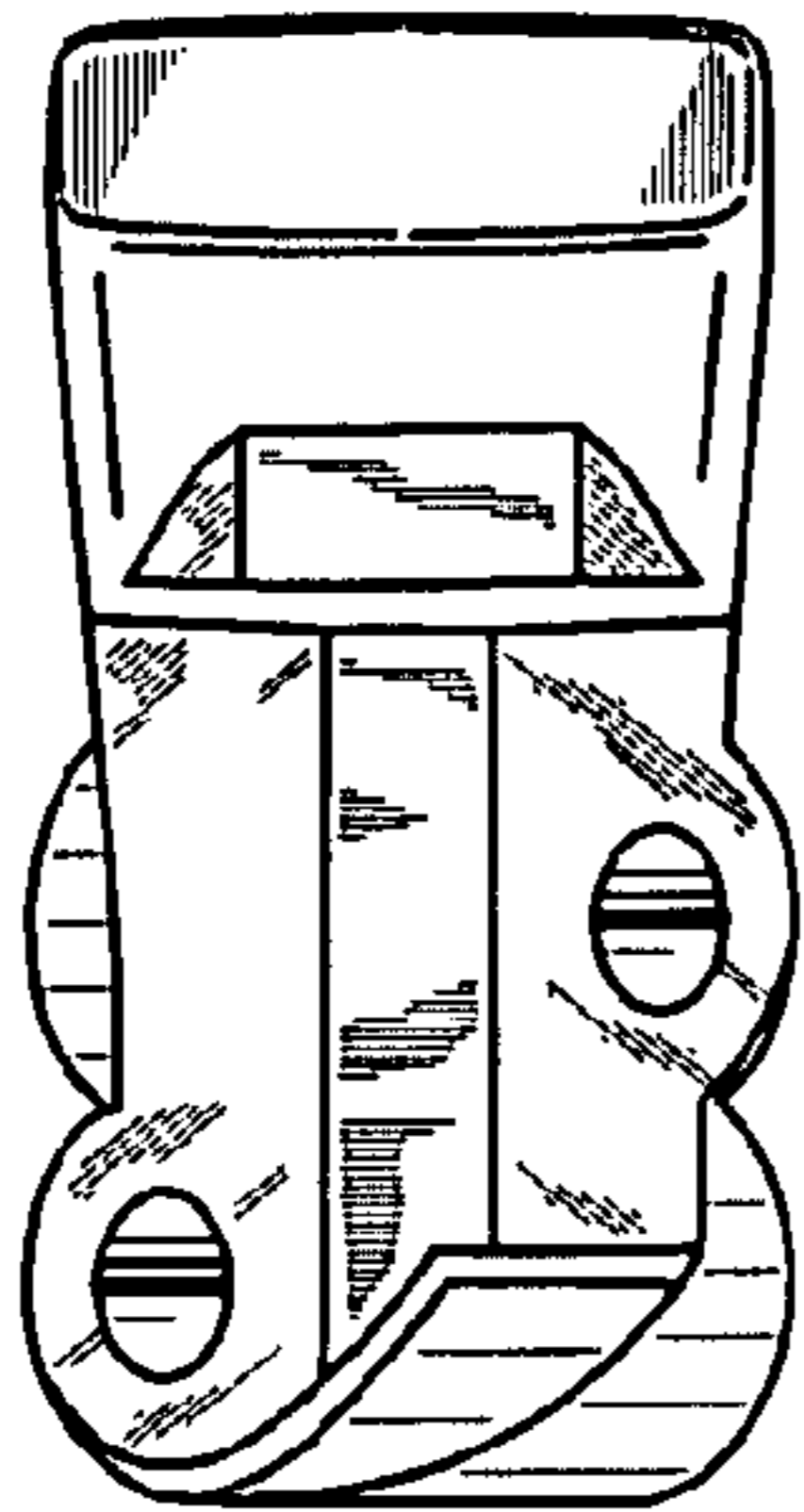


FIG. 11

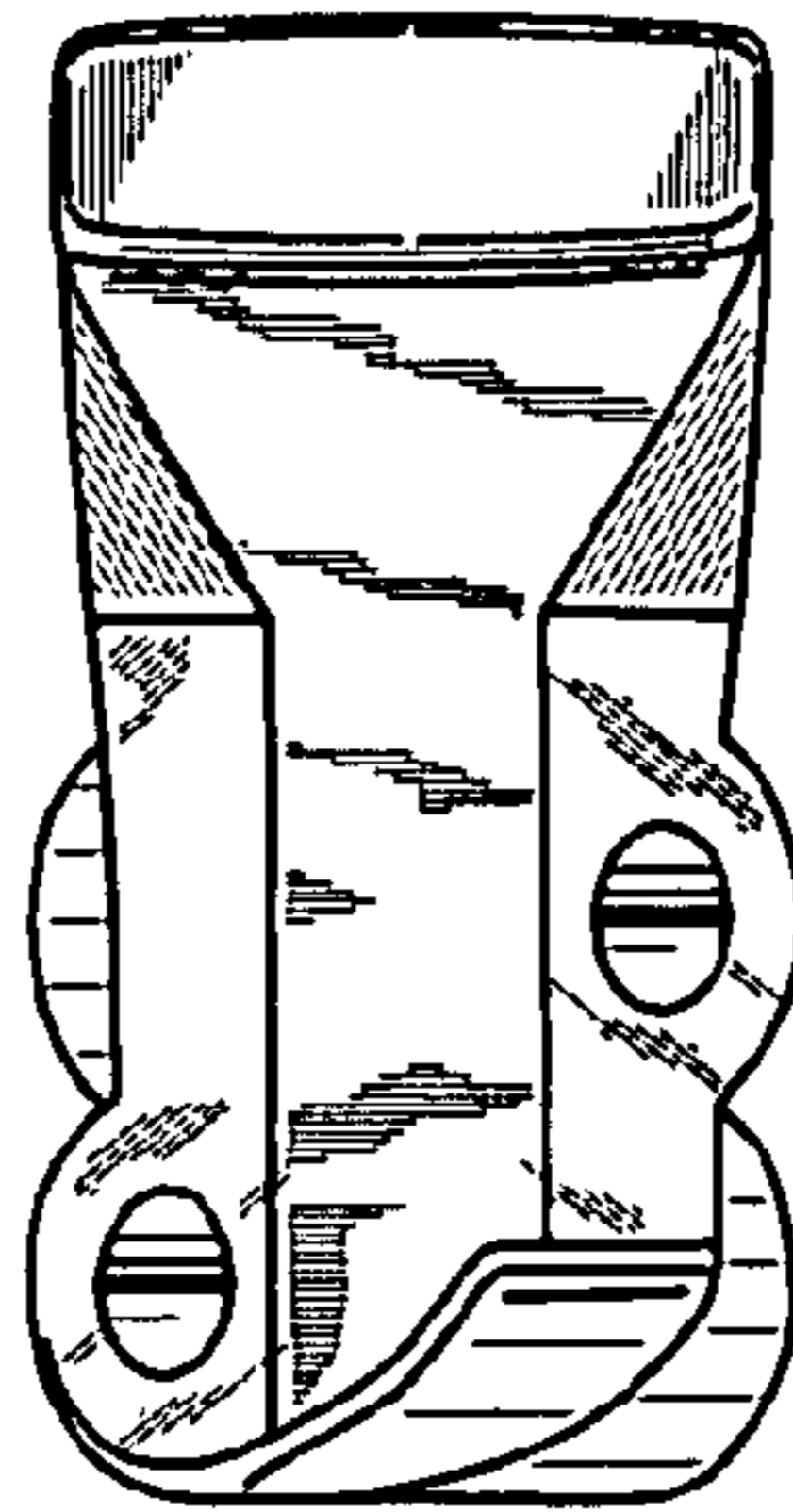


FIG. 12

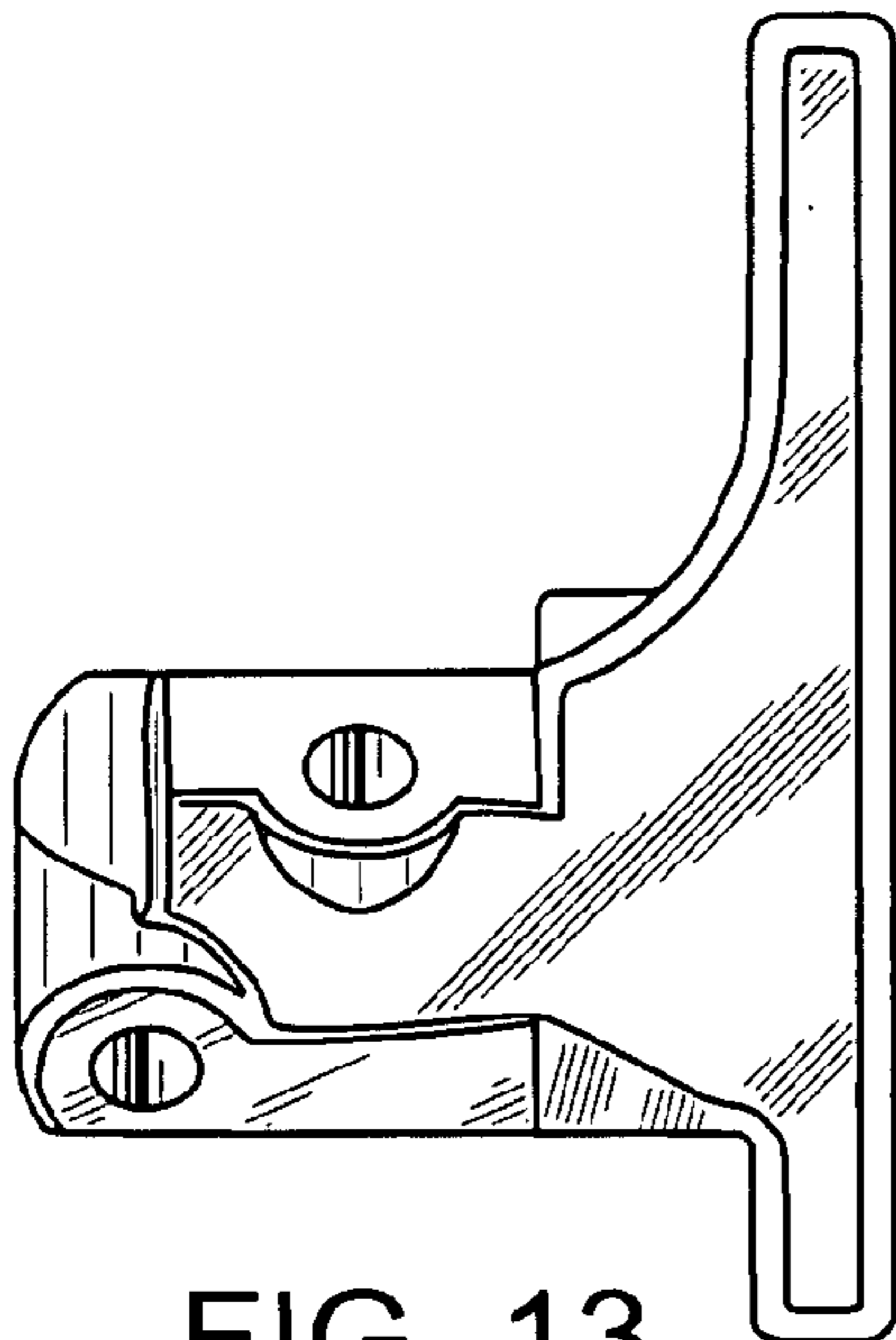


FIG. 13

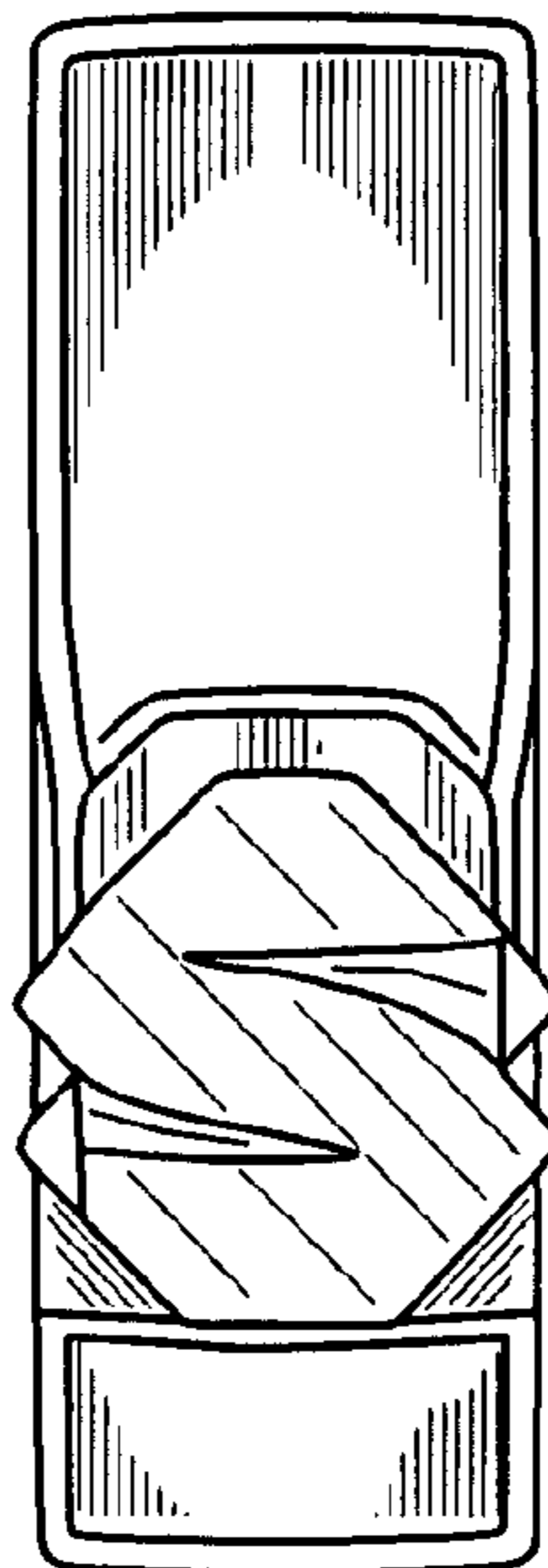


FIG. 14

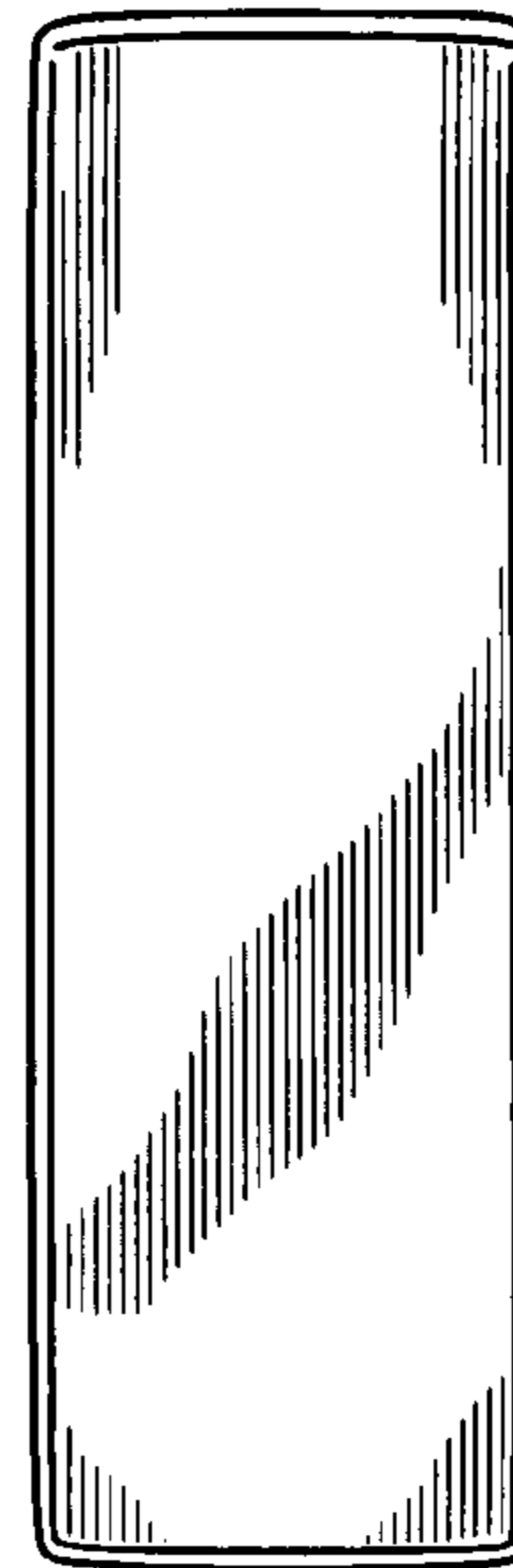


FIG. 15