



US00D576916S

(12) **United States Design Patent**  
**Yamamoto**

(10) **Patent No.:** **US D576,916 S**

(45) **Date of Patent:** **\*\* \*Sep. 16, 2008**

(54) **SLIDER BODY FOR SLIDE FASTENER**

(75) Inventor: **Kentaro Yamamoto**, Toyama-Ken (JP)

(73) Assignee: **YKK Corporation**, Tokyo (JP)

(\*) Notice: This patent is subject to a terminal disclaimer.

(\*\*) Term: **14 Years**

(21) Appl. No.: **29/199,929**

(22) Filed: **Feb. 19, 2004**

(30) **Foreign Application Priority Data**

Feb. 9, 2004 (JP) ..... 2004-003218  
Feb. 9, 2004 (JP) ..... 2004-003219

(51) **LOC (8) Cl.** ..... **02-07**

(52) **U.S. Cl.** ..... **D11/221**

(58) **Field of Classification Search** ..... D11/200,  
D11/201, 221; 24/415-417, 419, 421, 427-431,  
24/381-382, 385, 387, 433

See application file for complete search history.

(56) **References Cited**

**U.S. PATENT DOCUMENTS**

D392,217 S \* 3/1998 Yuki ..... D11/221  
D498,434 S \* 11/2004 Iwase ..... D11/221

\* cited by examiner

*Primary Examiner*—Ralf Seifert

(74) *Attorney, Agent, or Firm*—Alston & Bird LLP

(57) **CLAIM**

I claim the ornamental design for a slider body for slide fastener, as shown and described.

**DESCRIPTION**

FIG. 1 is a front elevational view of the slider body for slide fastener of the claimed design.

FIG. 2 is a rear elevational view of the slider body for slide fastener of FIG. 1.

FIG. 3 is a top plan view of the slider body for slide fastener of FIG. 1.

FIG. 4 is a bottom plan view of the slider body for slide fastener of FIG. 1.

FIG. 5 is a right side elevational view of the slider body for slide fastener of FIG. 1, the left side view being a mirror image.

FIG. 6 is a perspective view of the slider body for slide fastener of FIG. 1.

FIG. 7 is a front elevational view of another slider body for slide fastener of the claimed design.

FIG. 8 is a rear elevational view of the slider body for slide fastener of FIG. 7.

FIG. 9 is a top plan view of the slider body for slide fastener of FIG. 7.

FIG. 10 is a bottom plan view of the slider body for slide fastener of FIG. 7.

FIG. 11 is a right side elevational view of the slider body for slide fastener of FIG. 7, the left side view being a mirror image; and,

FIG. 12 is a perspective view of the slider body for slide fastener of FIG. 7.

**1 Claim, 6 Drawing Sheets**

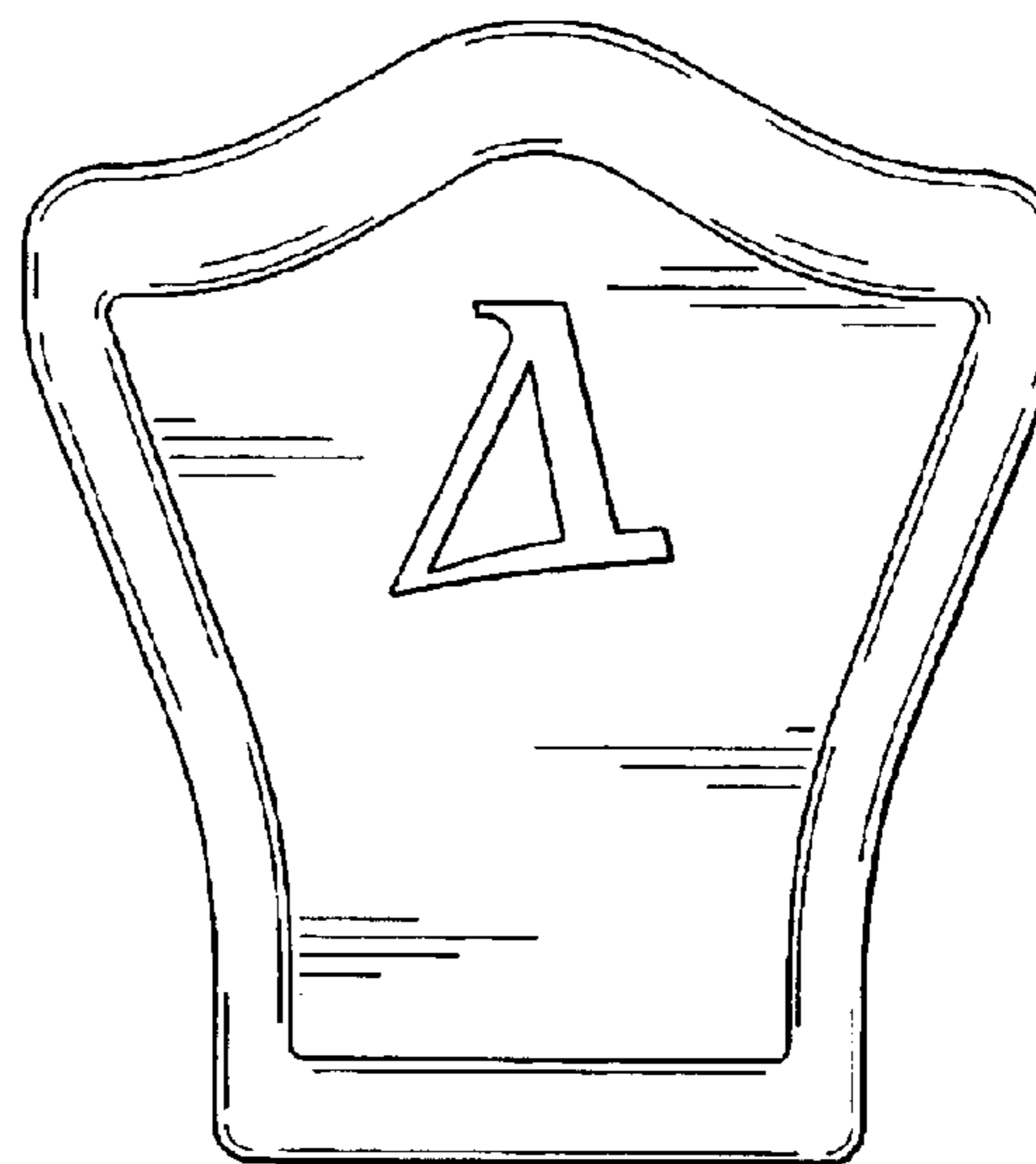
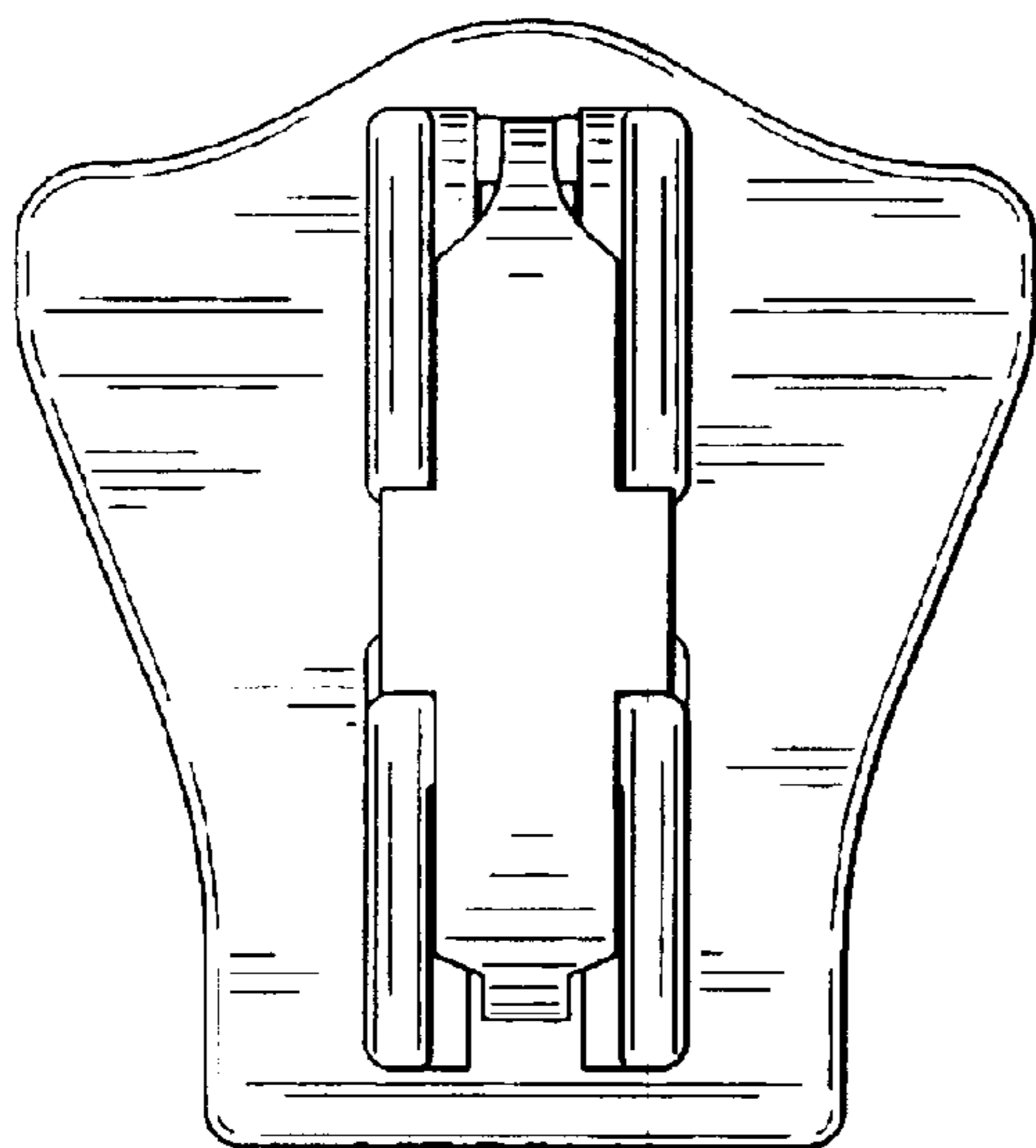


FIG.1

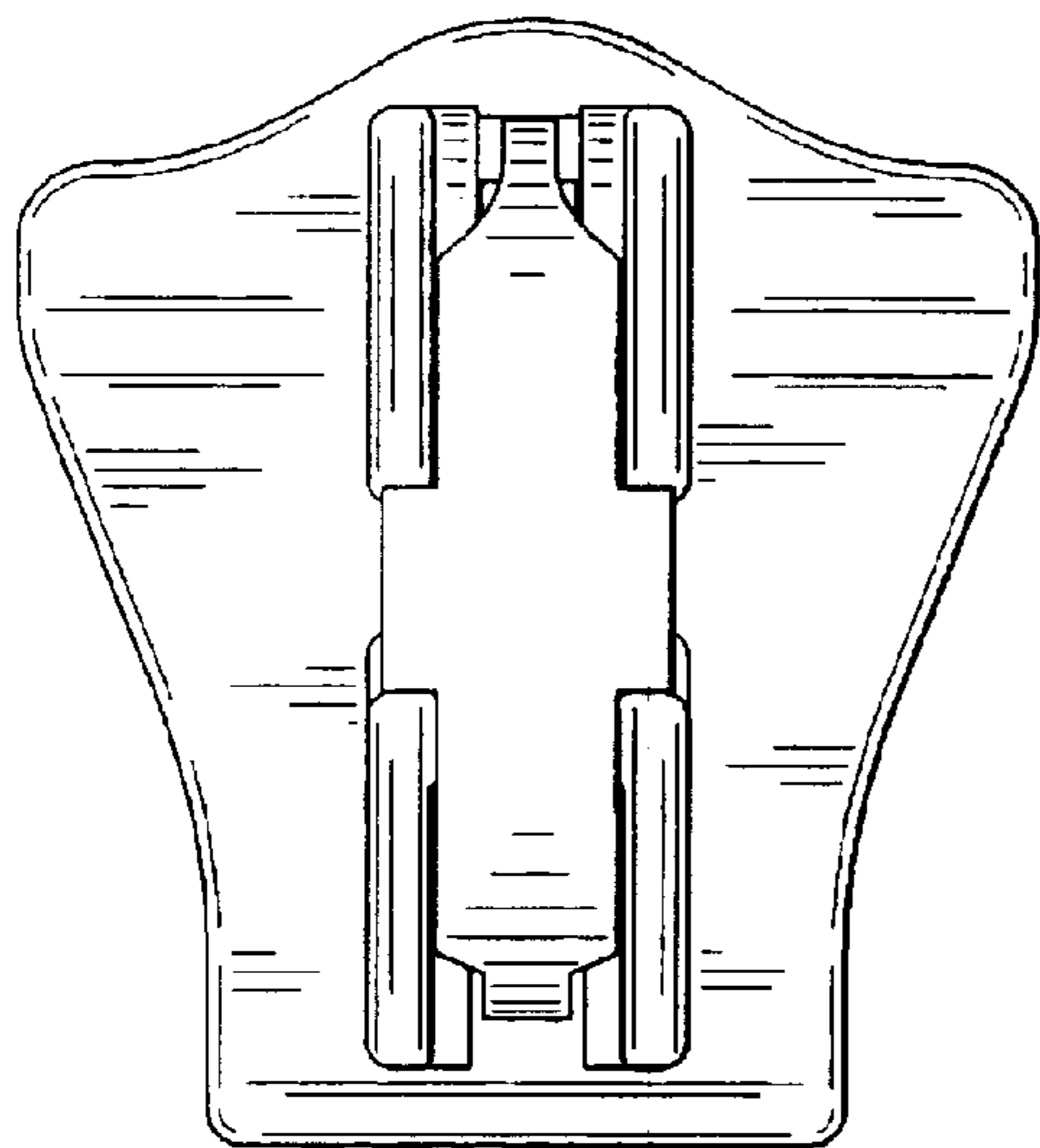


FIG.2

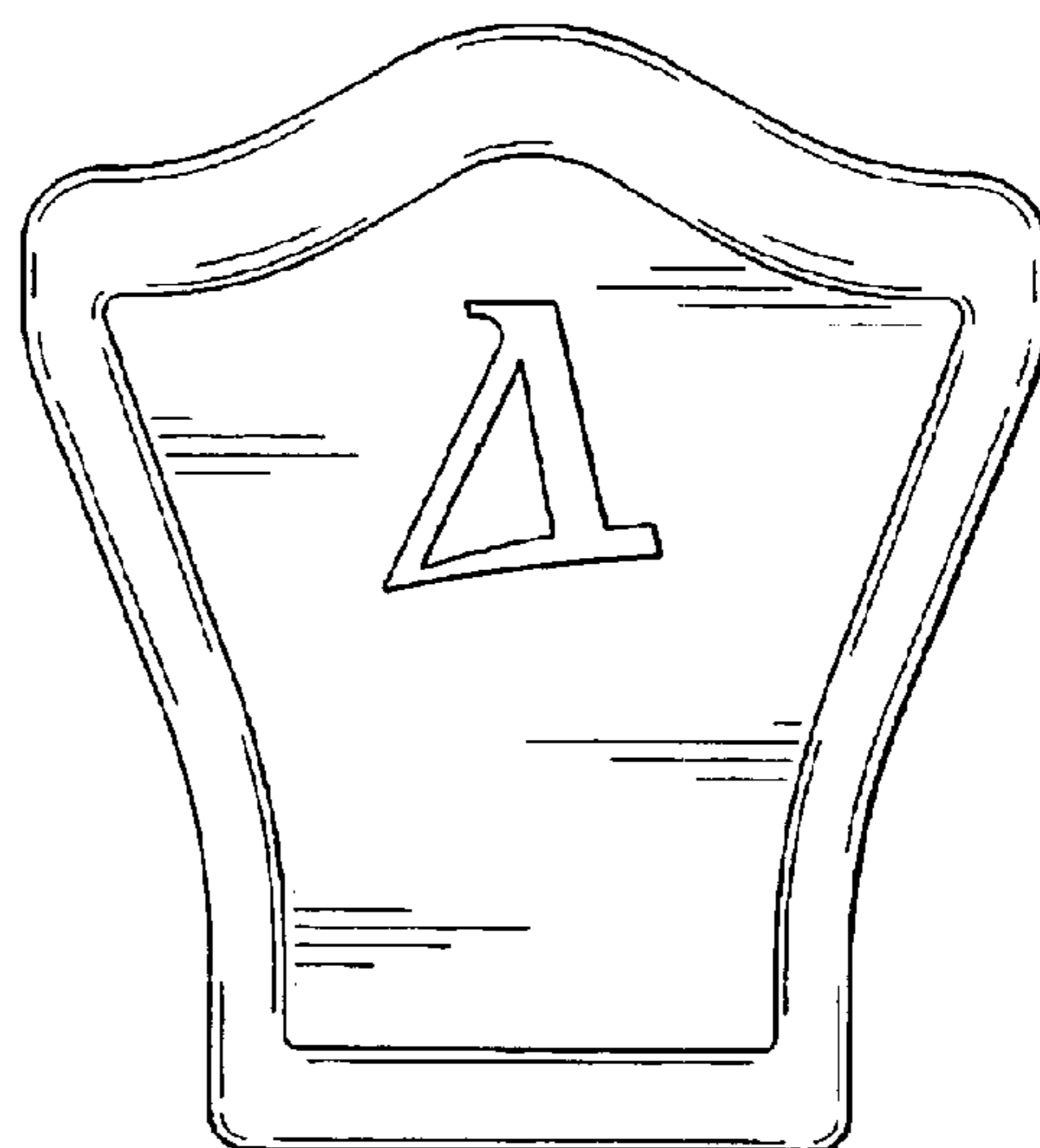


FIG. 3

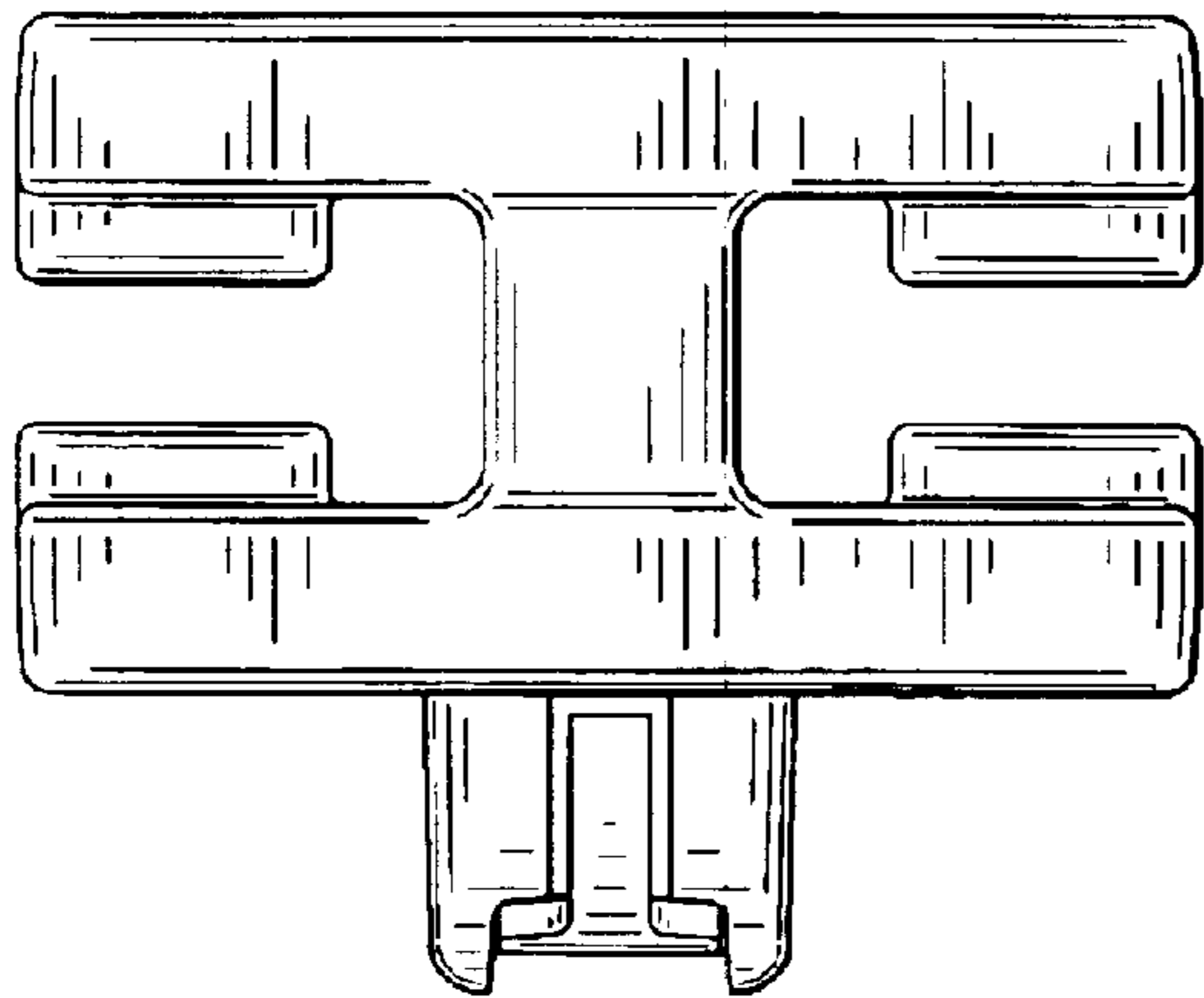


FIG. 4

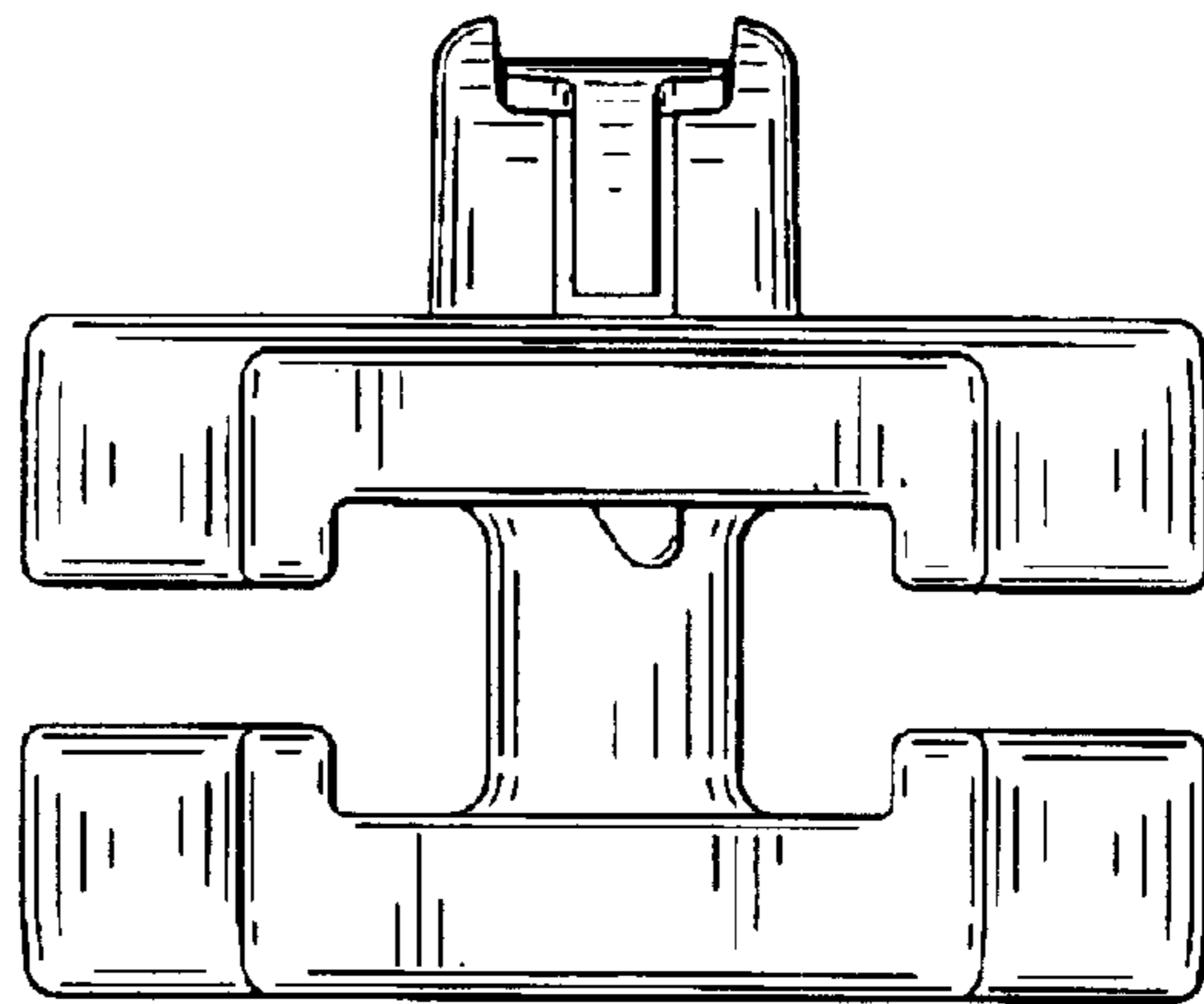


FIG. 5

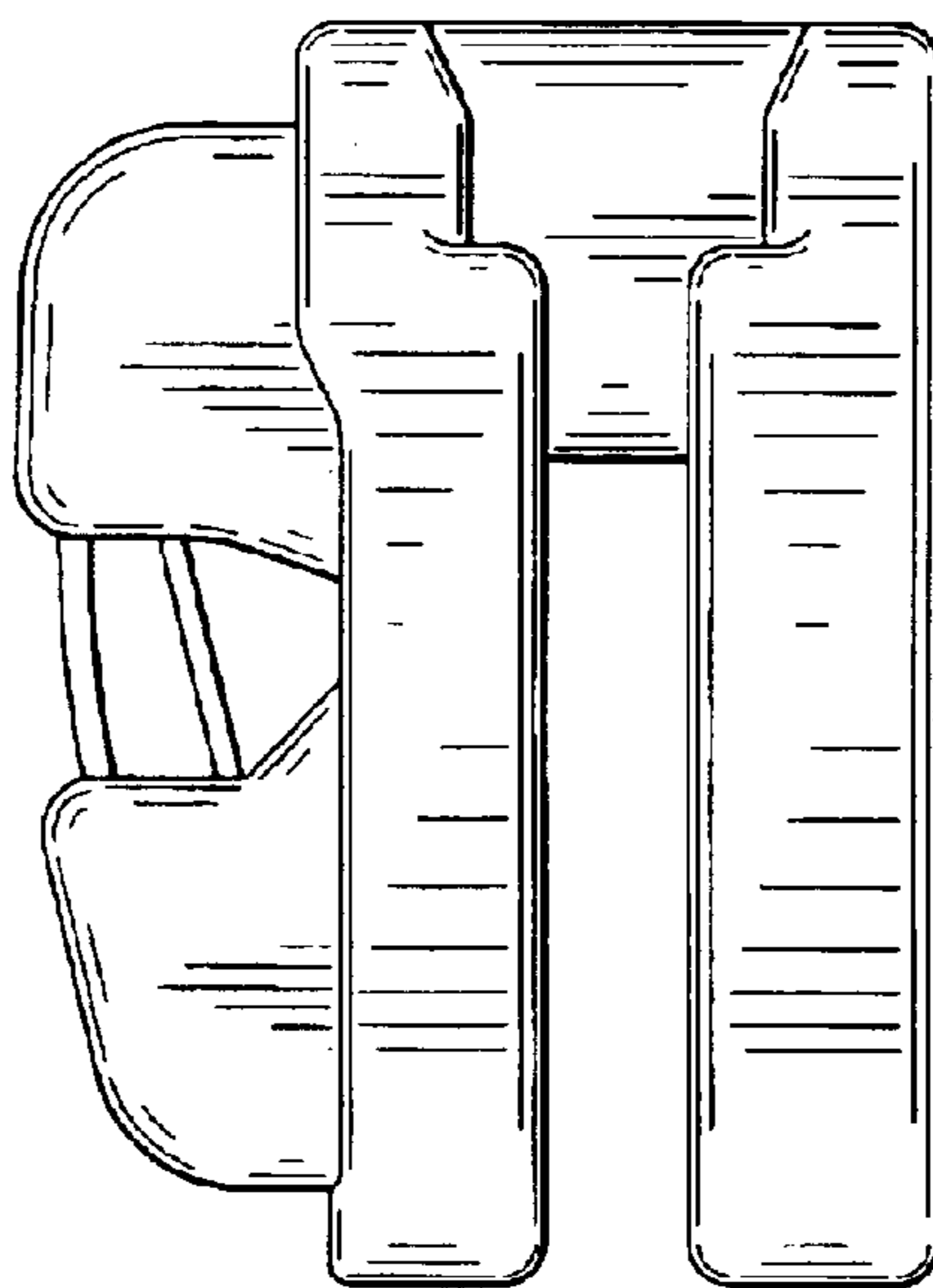


FIG. 6

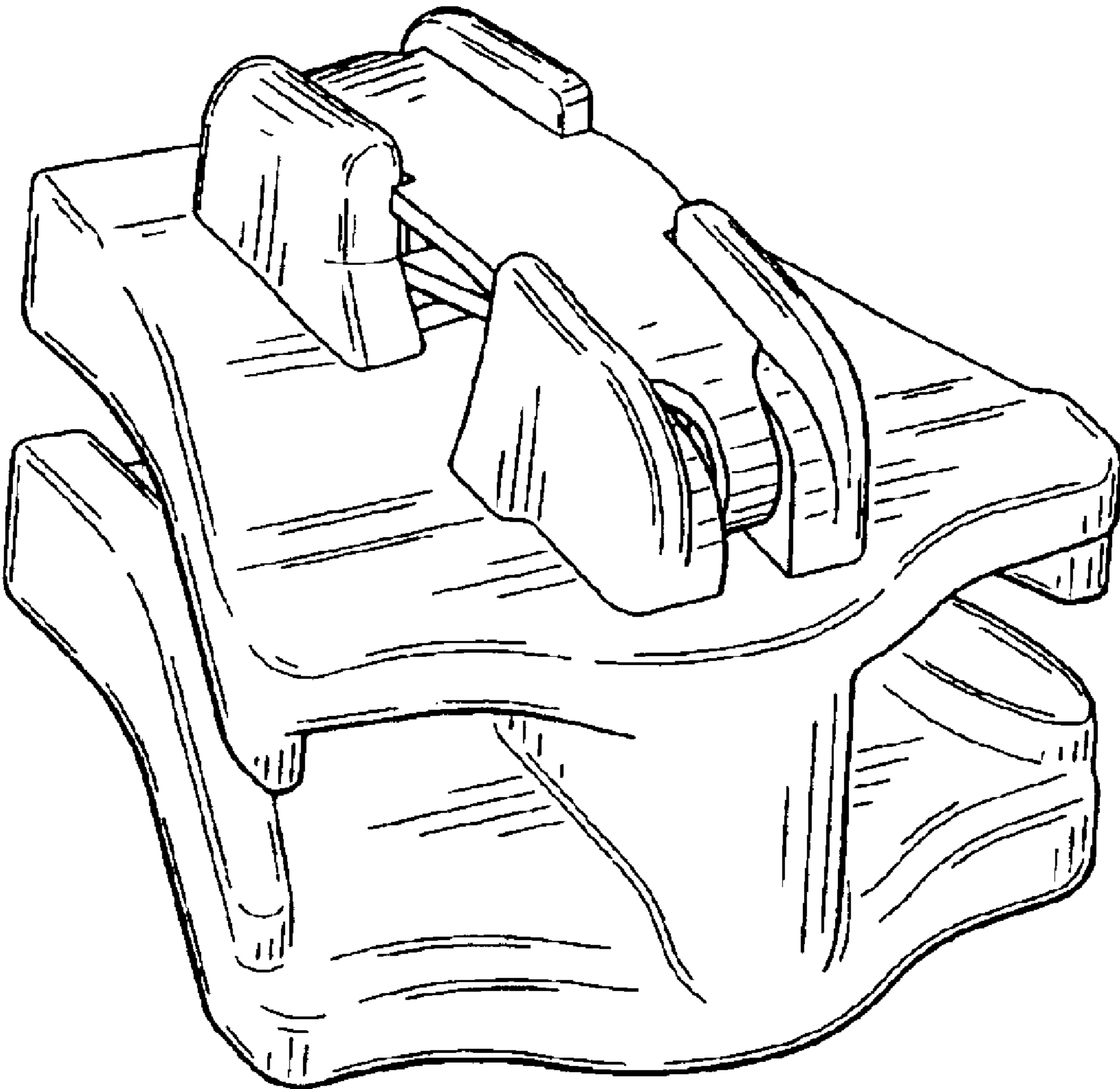


FIG.7

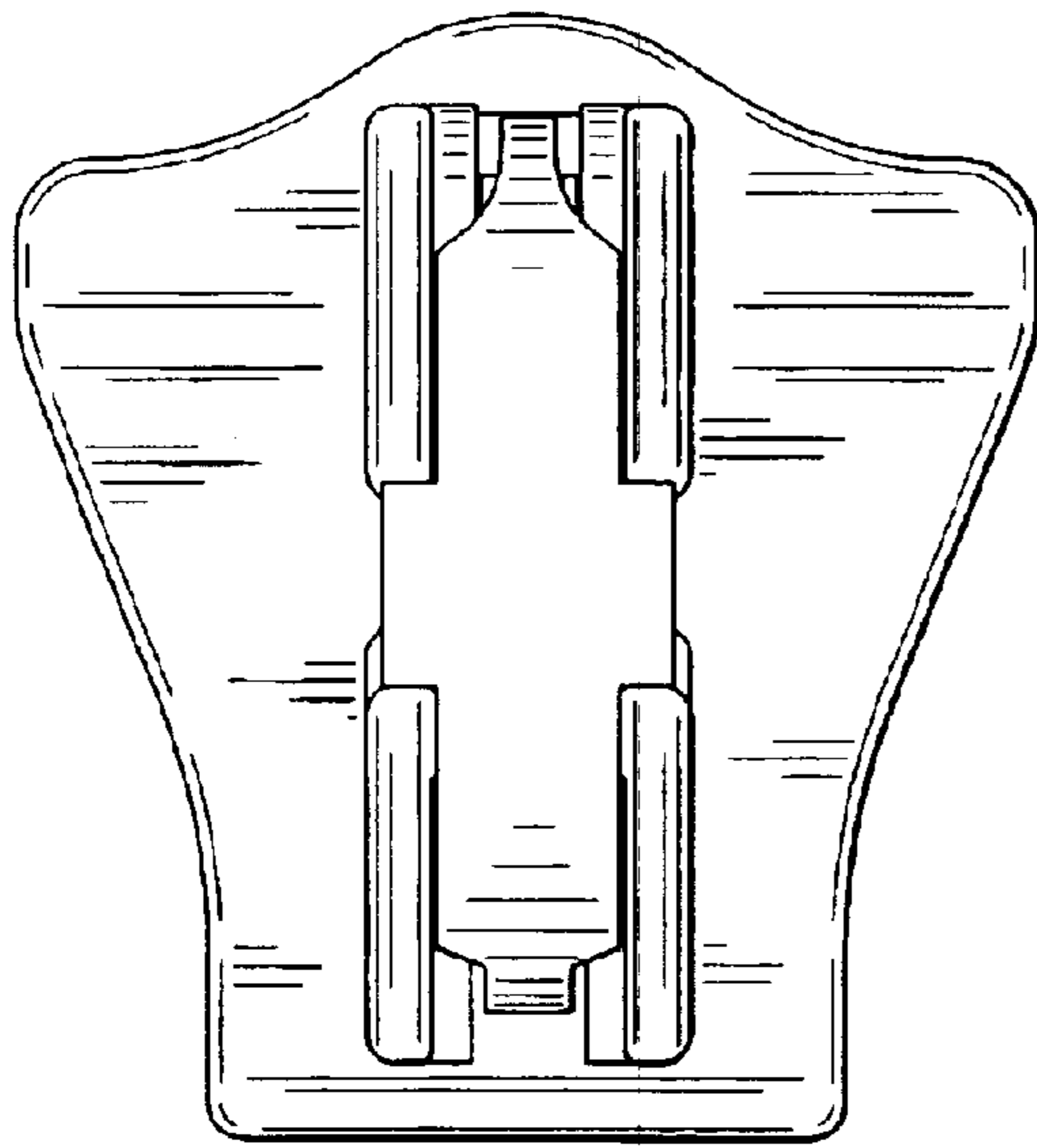


FIG.8

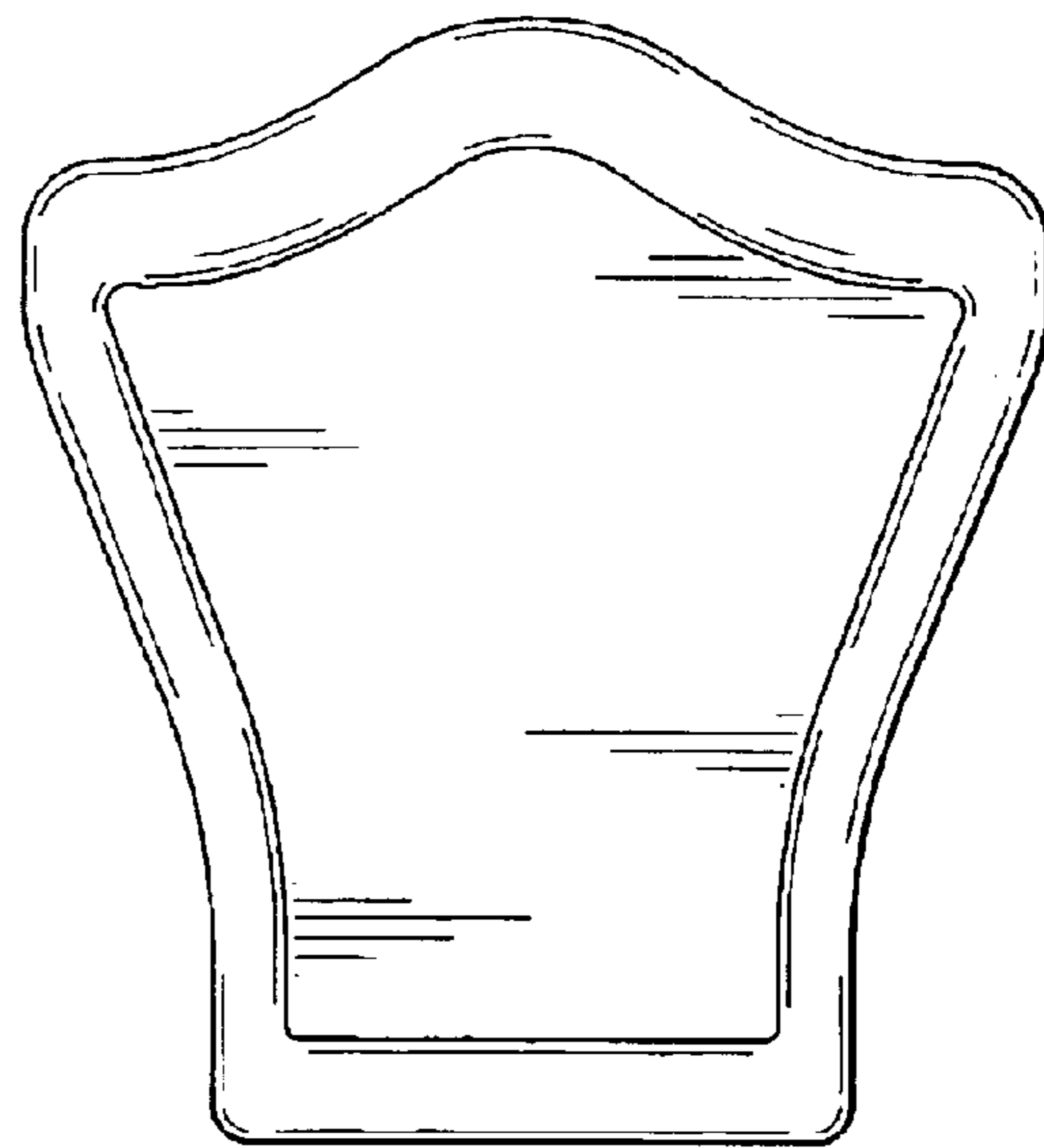


FIG.9

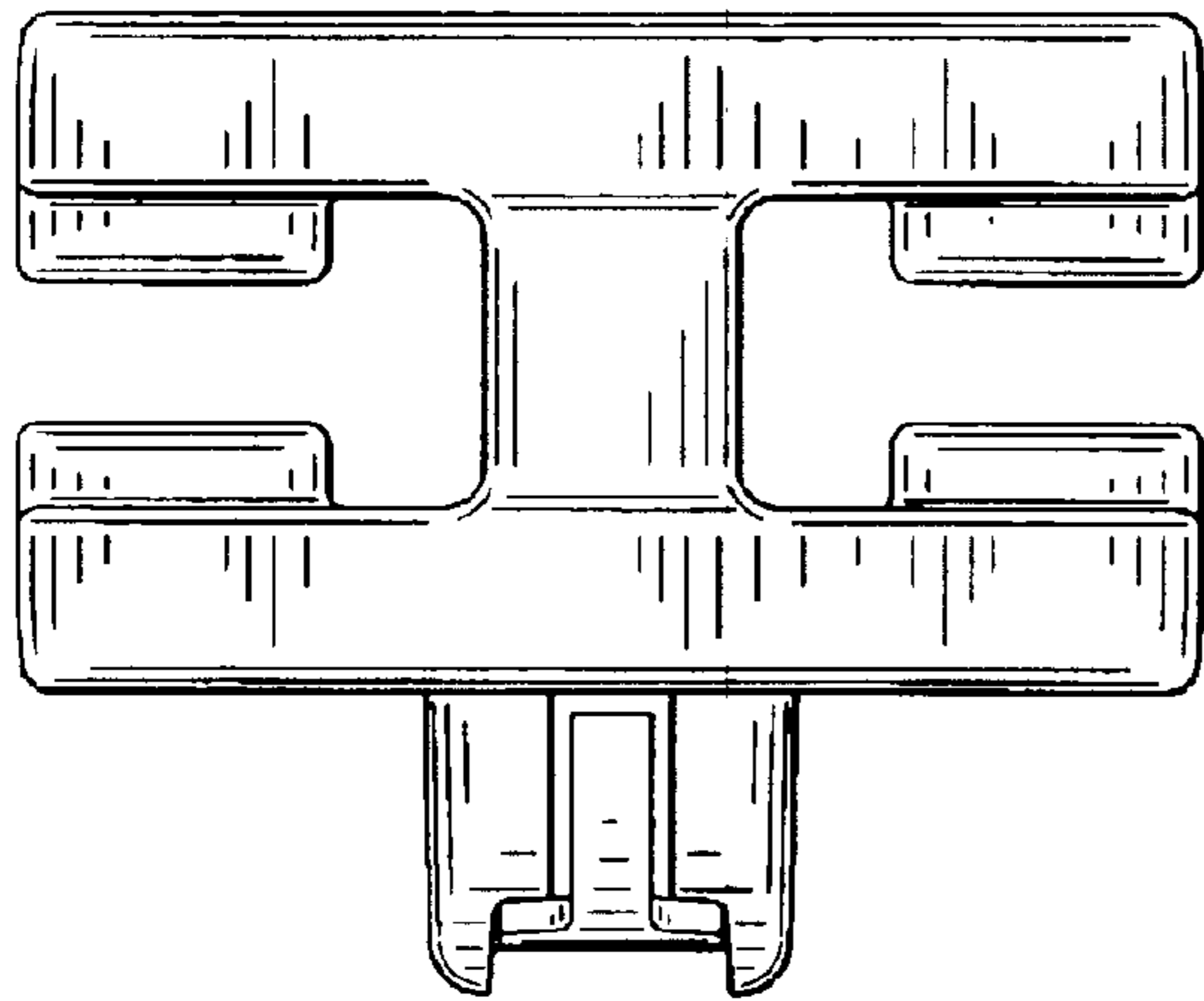


FIG.10

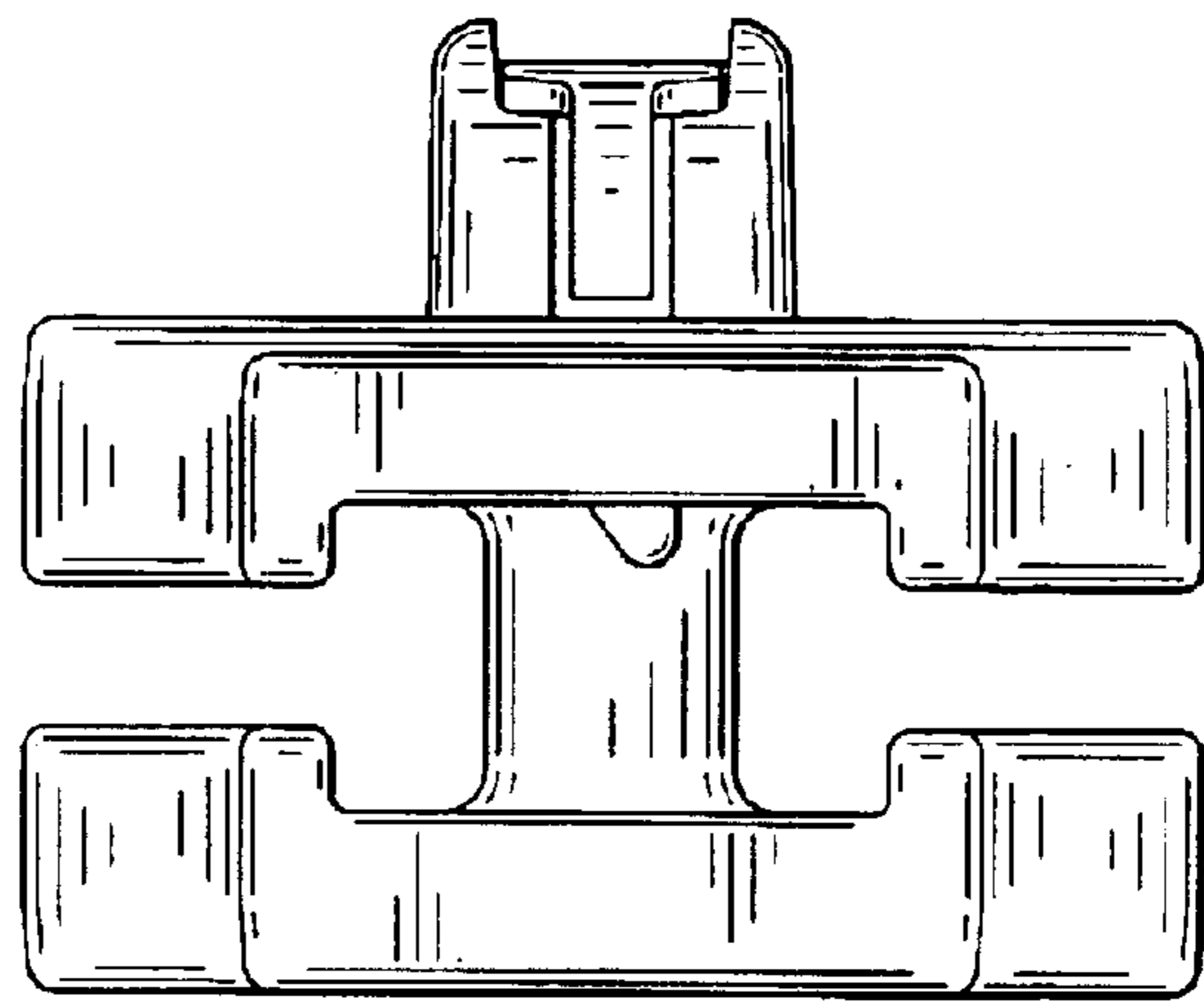


FIG.11

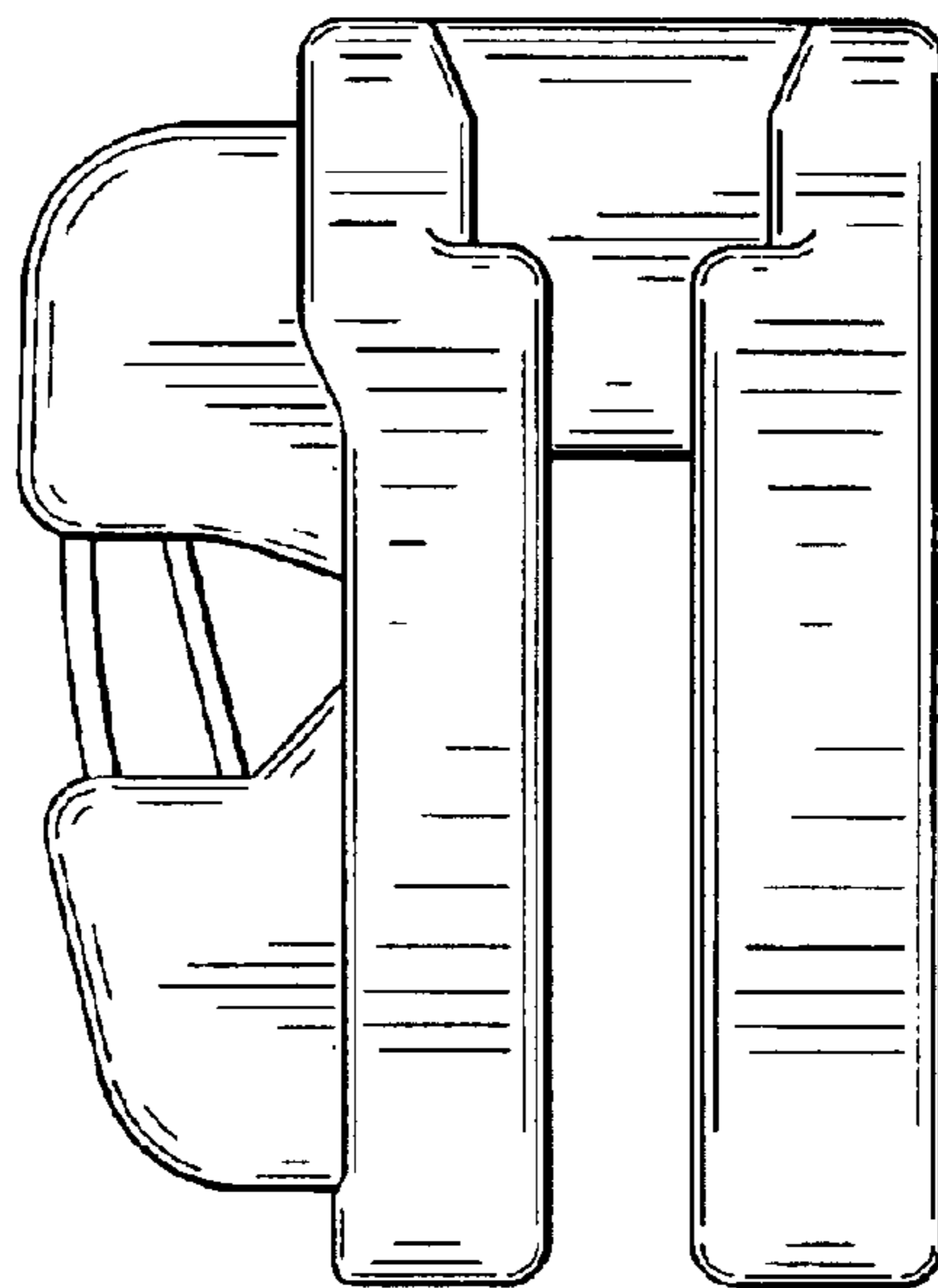


FIG.12

