



US00D576911S

(12) **United States Design Patent**
Shenton

(10) **Patent No.:** **US D576,911 S**

(45) **Date of Patent:** **** Sep. 16, 2008**

(54) **BROOCH BUILDING KIT**

Primary Examiner—Louis S Zarfaz
Assistant Examiner—Anhdao Doan

(76) Inventor: **Mary J. Shenton**, 2411 Ruth Ave.,
Baltimore, MD (US) 21219

(57) **CLAIM**

(**) Term: **14 Years**

I claim, the ornamental design for the brooch building kit, as shown and described.

(21) Appl. No.: **29/268,904**

(22) Filed: **Nov. 15, 2006**

DESCRIPTION

(51) **LOC (8) Cl.** **11-01**

(52) **U.S. Cl.** **D11/75**

(58) **Field of Classification Search** D11/40-47,
D11/75, 76, 95, 96; D10/64, 65; 63/1.18,
63/14.4, 20, 33, 34

See application file for complete search history.

FIG. 1 is a front elevational view of the brooch building kit, showing my new design;

FIG. 2 is a rear elevational view of the brooch building kit thereof;

FIG. 3 is a left-side elevational view of the brooch building kit thereof;

FIG. 4 is right side view of the brooch building kit thereof;

FIG. 5 is a top plan view of the brooch building kit thereof; and,

FIG. 6 is a bottom plan view of the brooch building kit thereof.

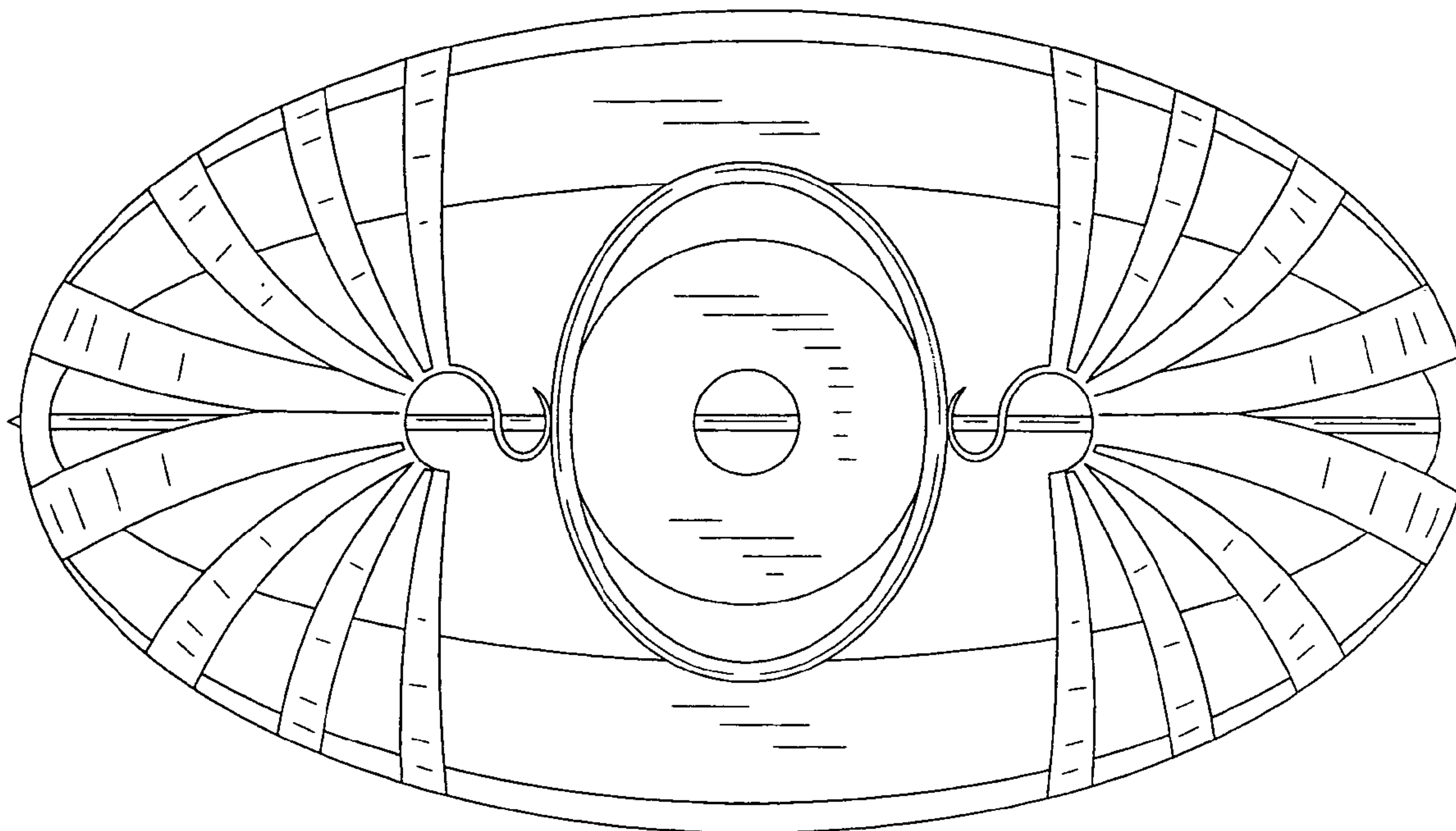
(56) **References Cited**

U.S. PATENT DOCUMENTS

D90,040 S *	5/1933	Wetherell	D11/46
D97,176 S *	10/1935	Chernow	D11/46
2,120,215 A *	6/1938	Handman	63/20
D112,155 S *	11/1938	Verrecchio	D11/75
D112,157 S *	11/1938	Verrechio	D11/46
2,144,375 A *	1/1939	Huppert	63/20

* cited by examiner

1 Claim, 3 Drawing Sheets



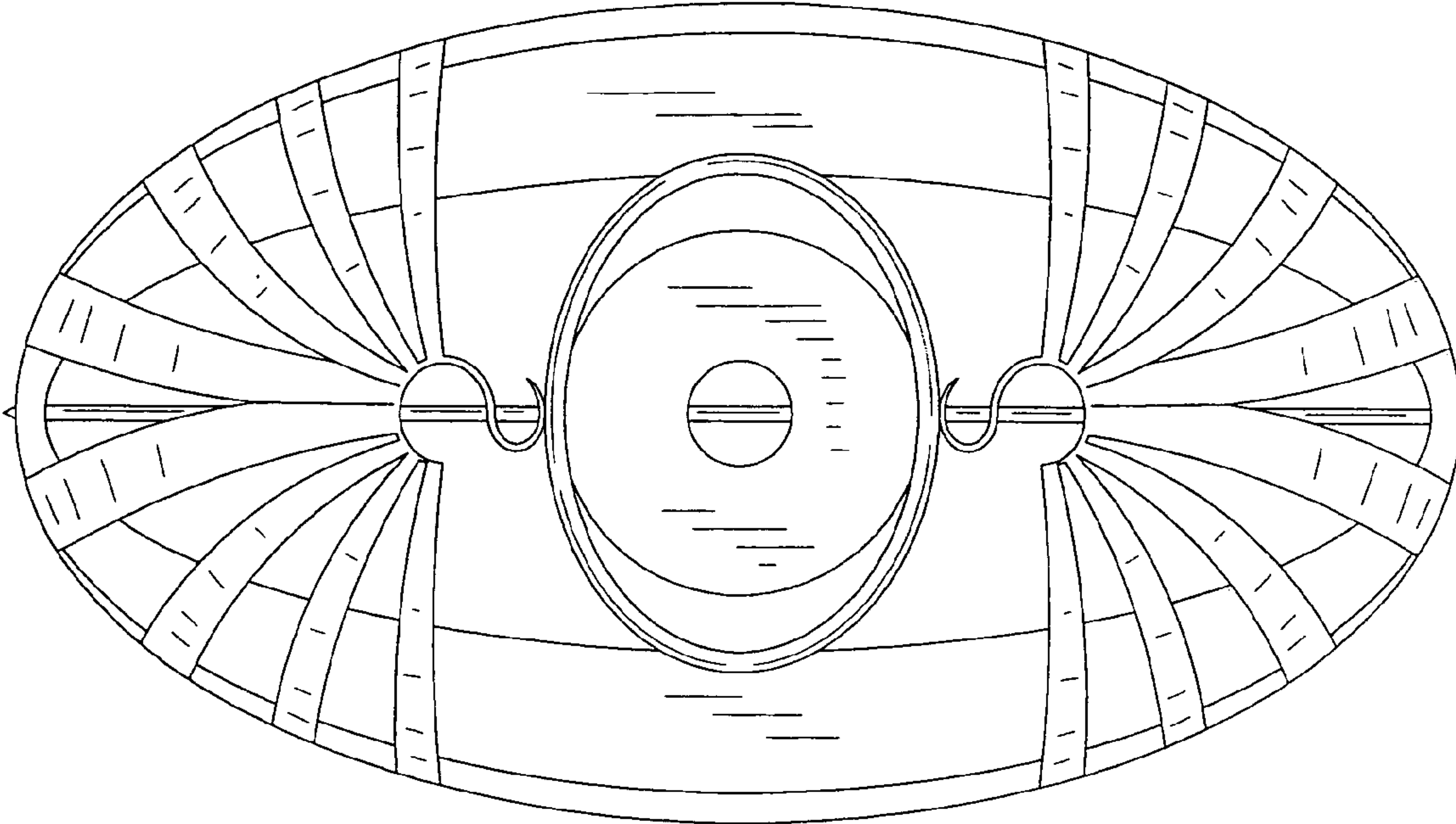


FIG. 1

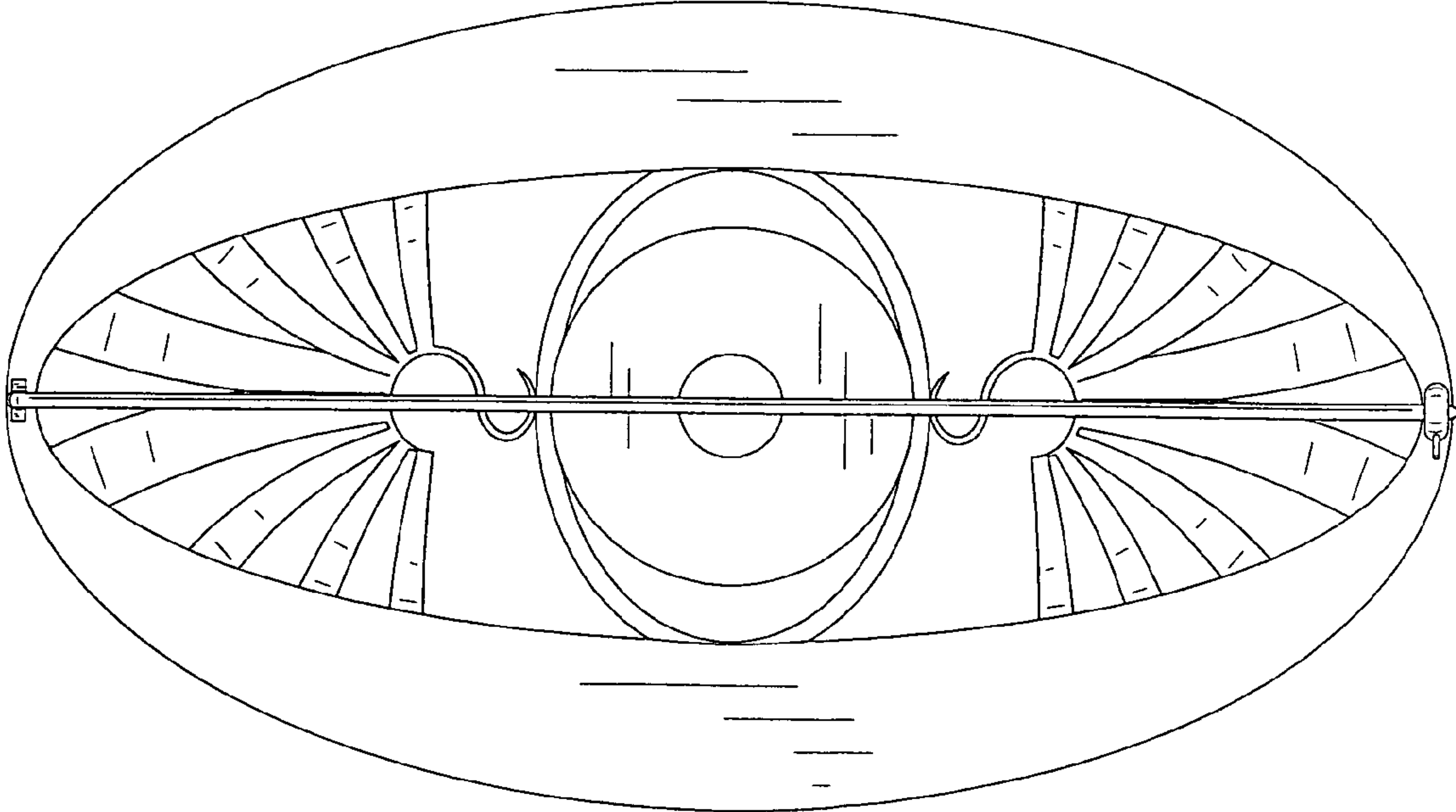


FIG. 2

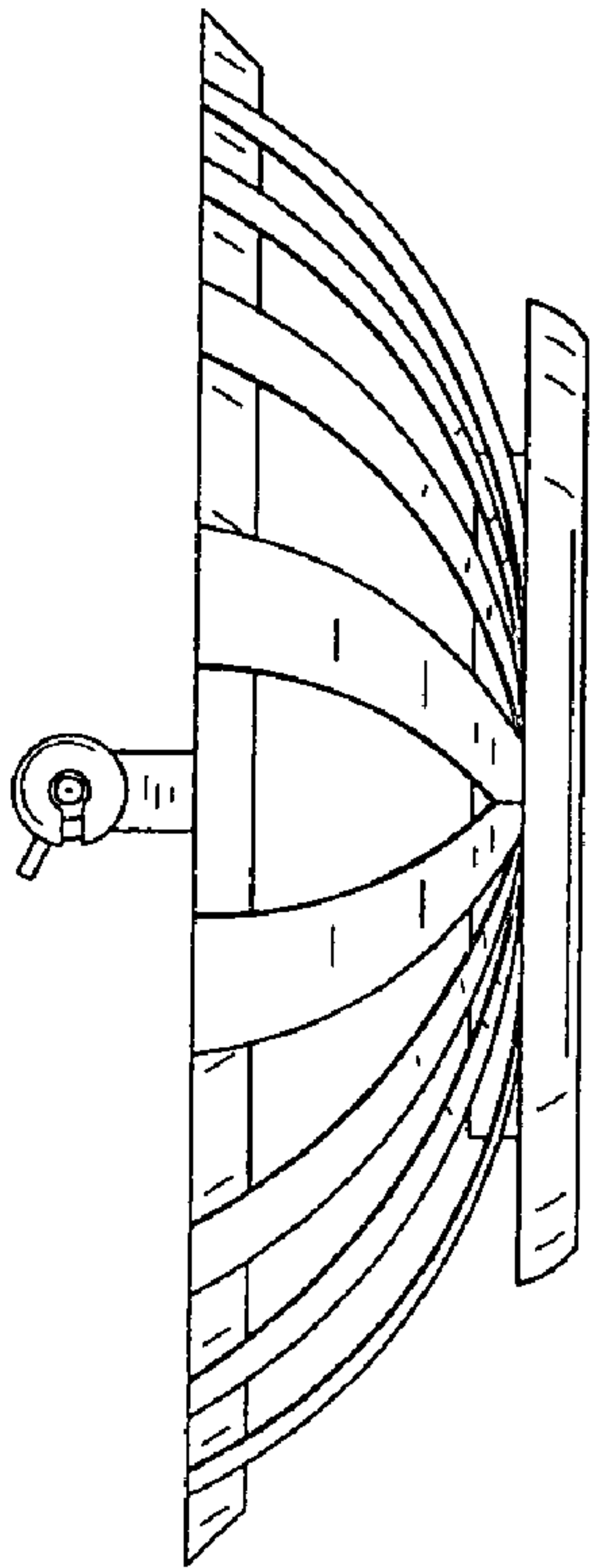


FIG. 3

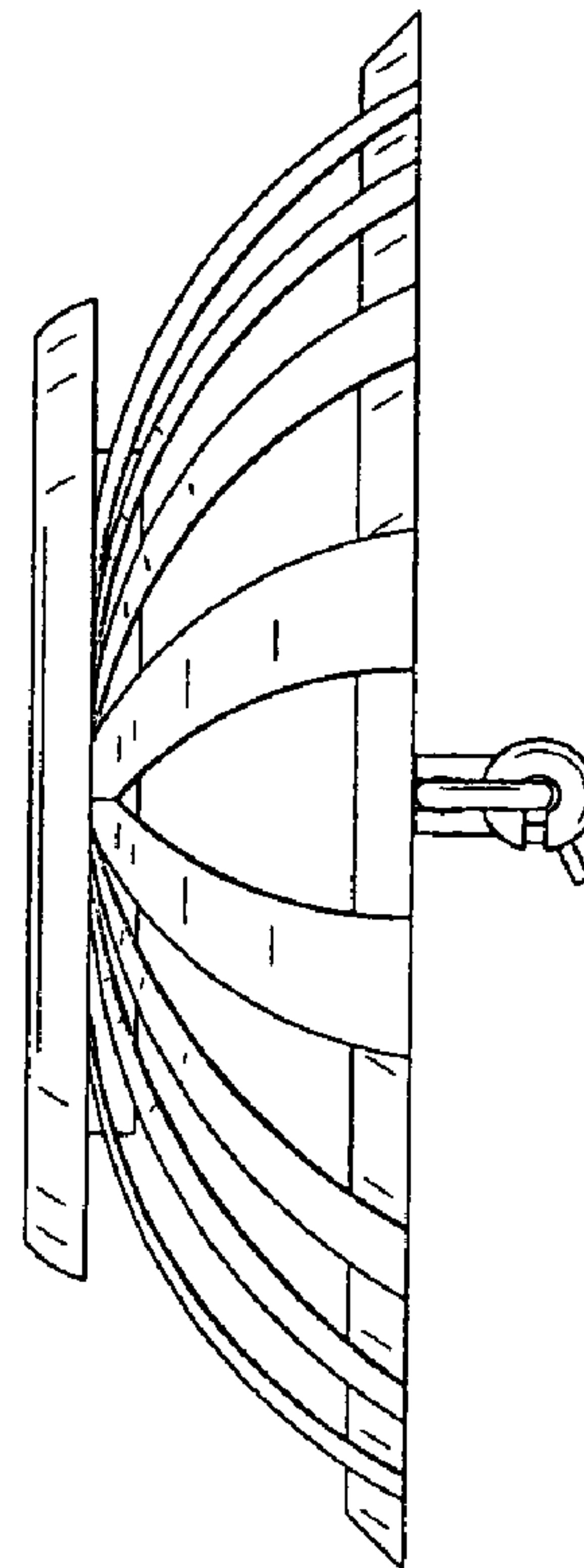


FIG. 4

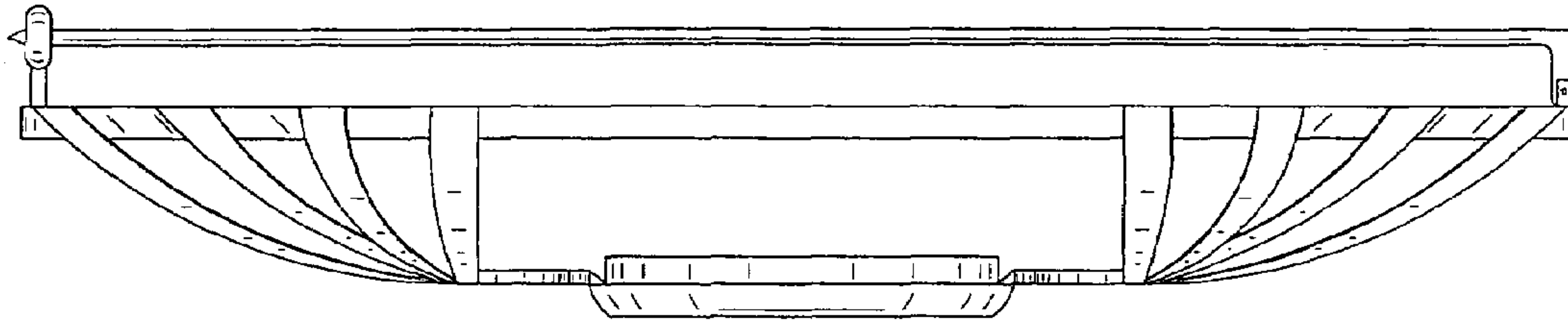


FIG. 5

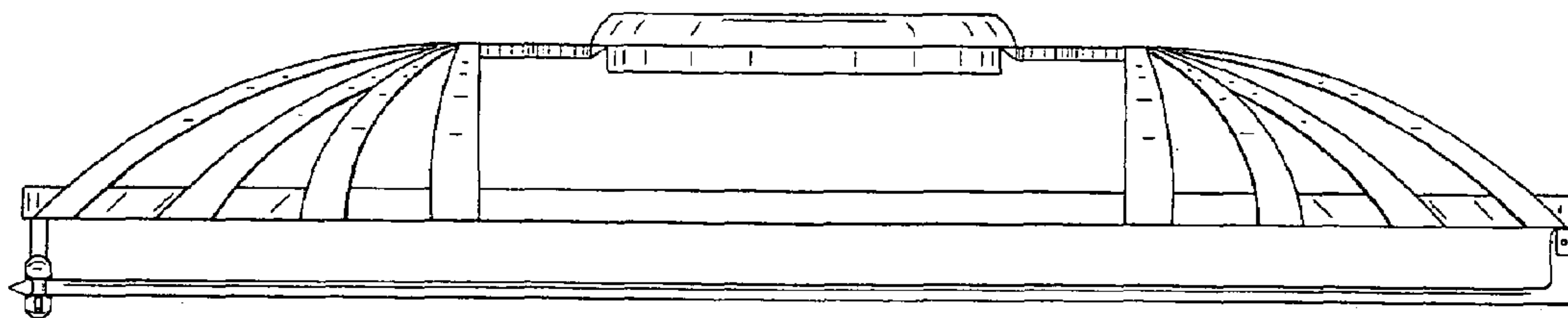


FIG. 6