



US00D576908S

(12) **United States Design Patent**
Gruenke

(10) **Patent No.:** **US D576,908 S**

(45) **Date of Patent:** **** Sep. 16, 2008**

(54) **ILLUMINATED BRACELET**

(76) **Inventor:** **Scott A Gruenke**, 8329 N. 5 St.,
Phoenix, AZ (US) 85020

(**) **Term:** **14 Years**

(21) **Appl. No.:** **29/277,317**

(22) **Filed:** **Feb. 21, 2007**

(51) **LOC (8) Cl.** **11-01**

(52) **U.S. Cl.** **D11/3**

(58) **Field of Classification Search** D11/1,
D11/2, 3, 4, 5, 11, 12, 20, 21, 22, 23, 24,
D11/25, 26, 27, 117, 123, 125, 143, 151,
D11/157, 89, 90, 91, 92; 63/1.11, 3, 3.1,
63/3.2, 7, 8, 9, 10, 11; D10/32

See application file for complete search history.

(56) **References Cited**

U.S. PATENT DOCUMENTS

1,140,445	A *	5/1915	Collingwood	245/6
2,165,625	A *	7/1939	Fessel	224/219
5,477,433	A *	12/1995	Ohlund	362/104
6,296,364	B1 *	10/2001	Day et al.	362/104
6,526,779	B2 *	3/2003	Foote	63/15
6,578,981	B2 *	6/2003	Jackson et al.	362/104
7,178,930	B2 *	2/2007	Damrau	362/104
D541,690	S *	5/2007	Schrimmer et al.	D11/3
7,244,045	B2 *	7/2007	Schrimmer et al.	362/252

D556,078	S *	11/2007	Schrimmer et al.	D11/3
2002/0147762	A1 *	10/2002	Tree	709/201
2006/0262531	A1 *	11/2006	Schrimmer et al.	362/240

* cited by examiner

Primary Examiner—Louis S Zarfaz

Assistant Examiner—Michael A Pratt

(74) *Attorney, Agent, or Firm*—Law Office of Marc D. Machtinger, Ltd.

(57) **CLAIM**

What is claimed is the ornamental design for an “illuminated bracelet,” as shown and described.

DESCRIPTION

FIG. 1 is a top perspective view of the dry illuminated bracelet of the present design;

FIG. 2 is a bottom perspective view thereof;

FIG. 3 is a front view thereof;

FIG. 4 is a back view thereof;

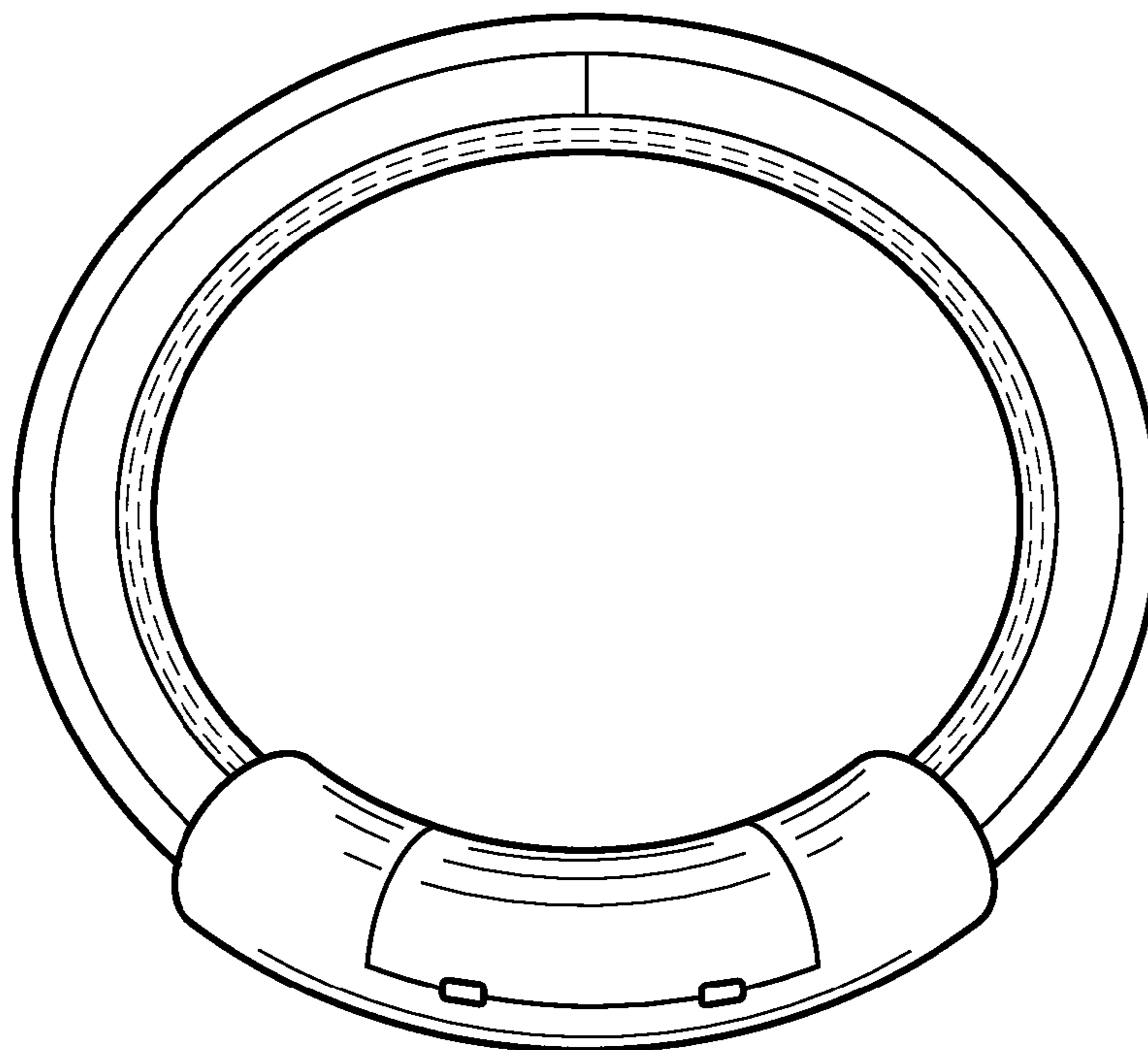
FIG. 5 is a cross-sectional view thereof;

FIG. 6 is a top view thereof; and,

FIG. 7 is a right side view thereof; the left side view being identical in mirror image thereto.

Features shown in broken lines in the drawings are not part of the claim.

1 Claim, 3 Drawing Sheets



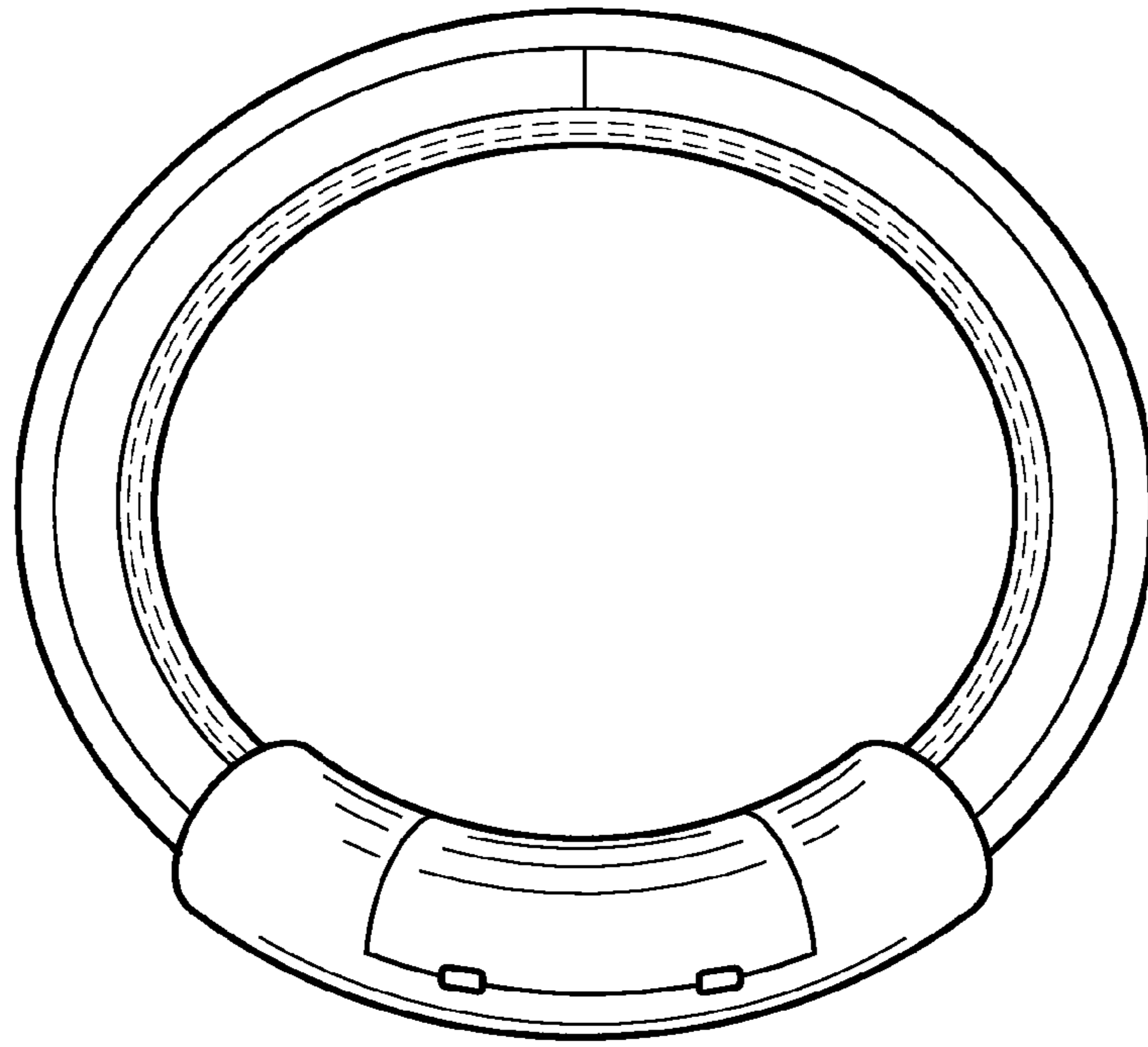


FIG. 1

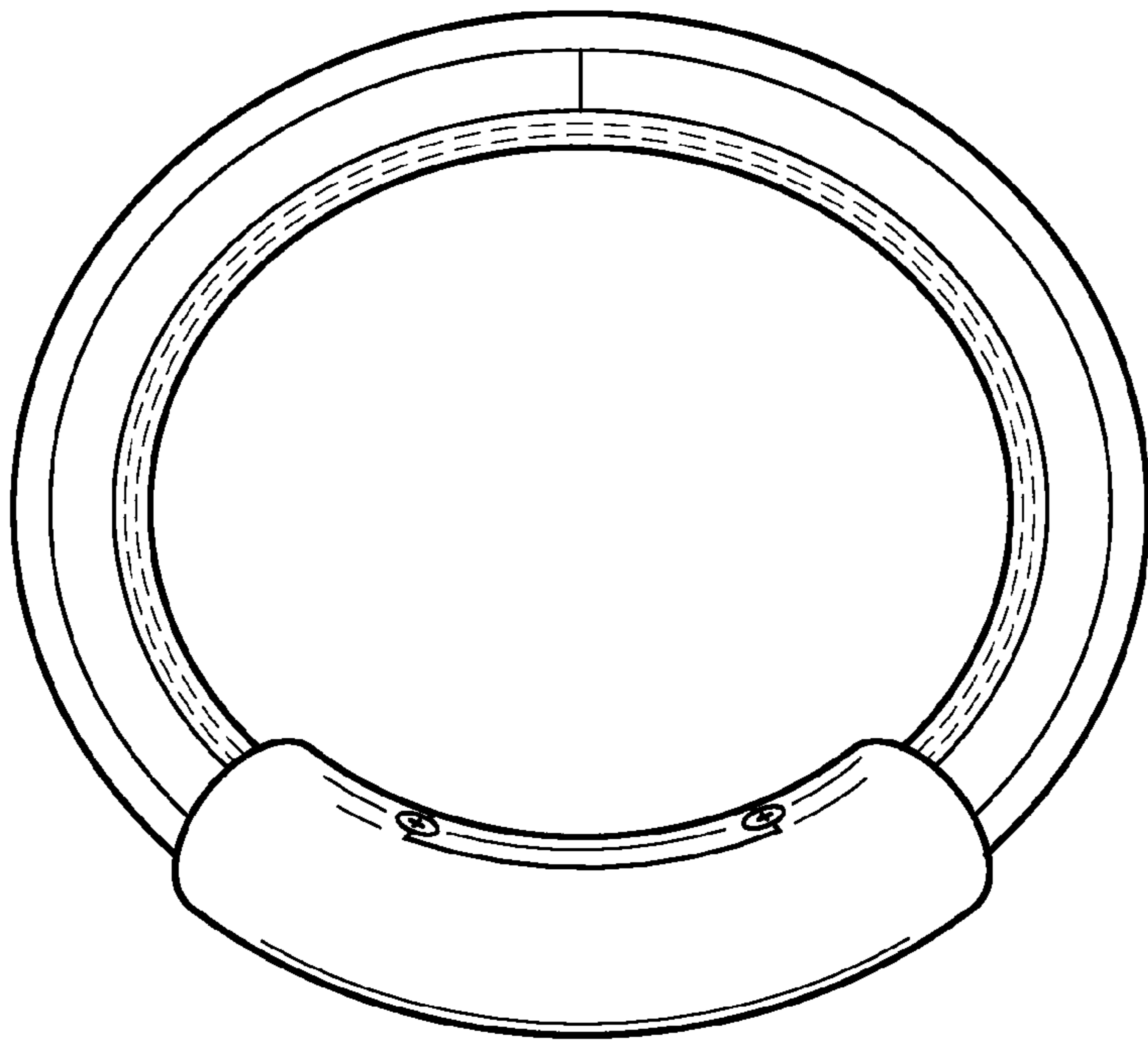


FIG. 2

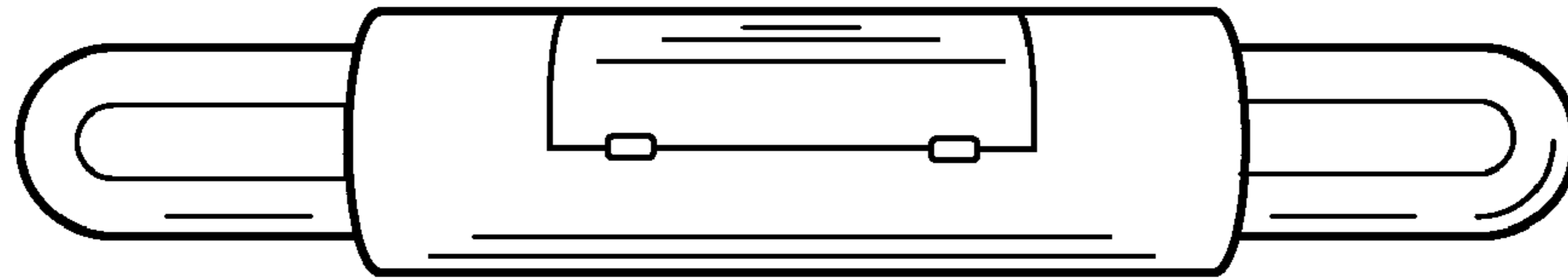


FIG. 3

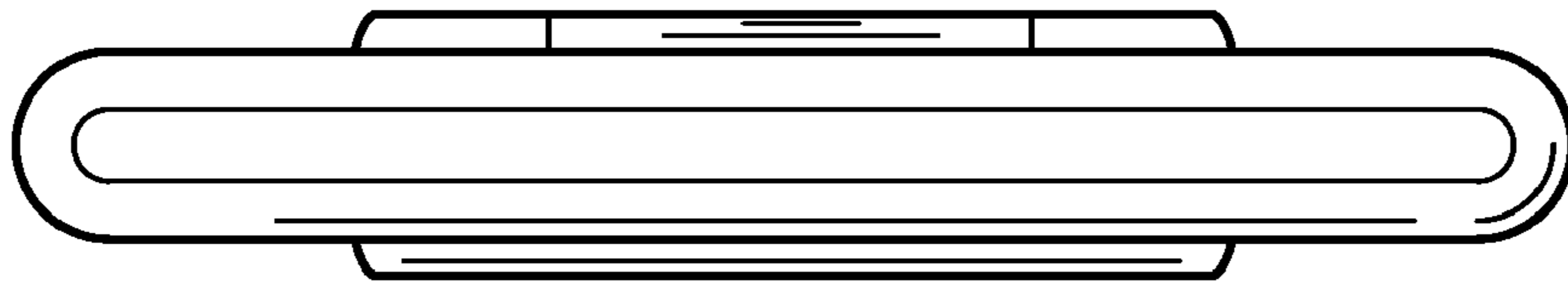


FIG. 4

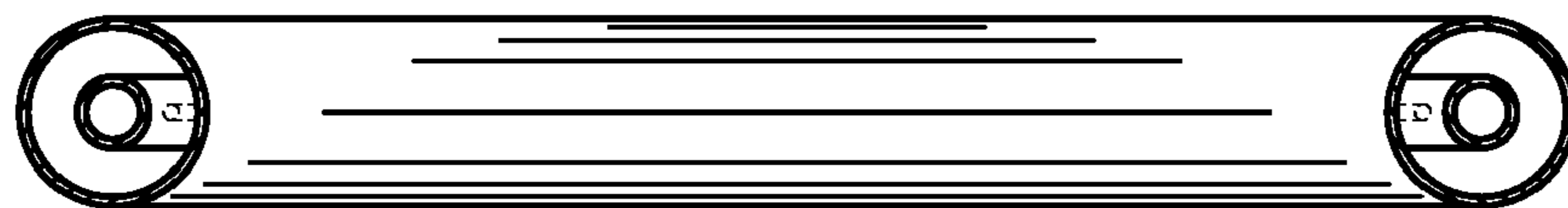


FIG. 5

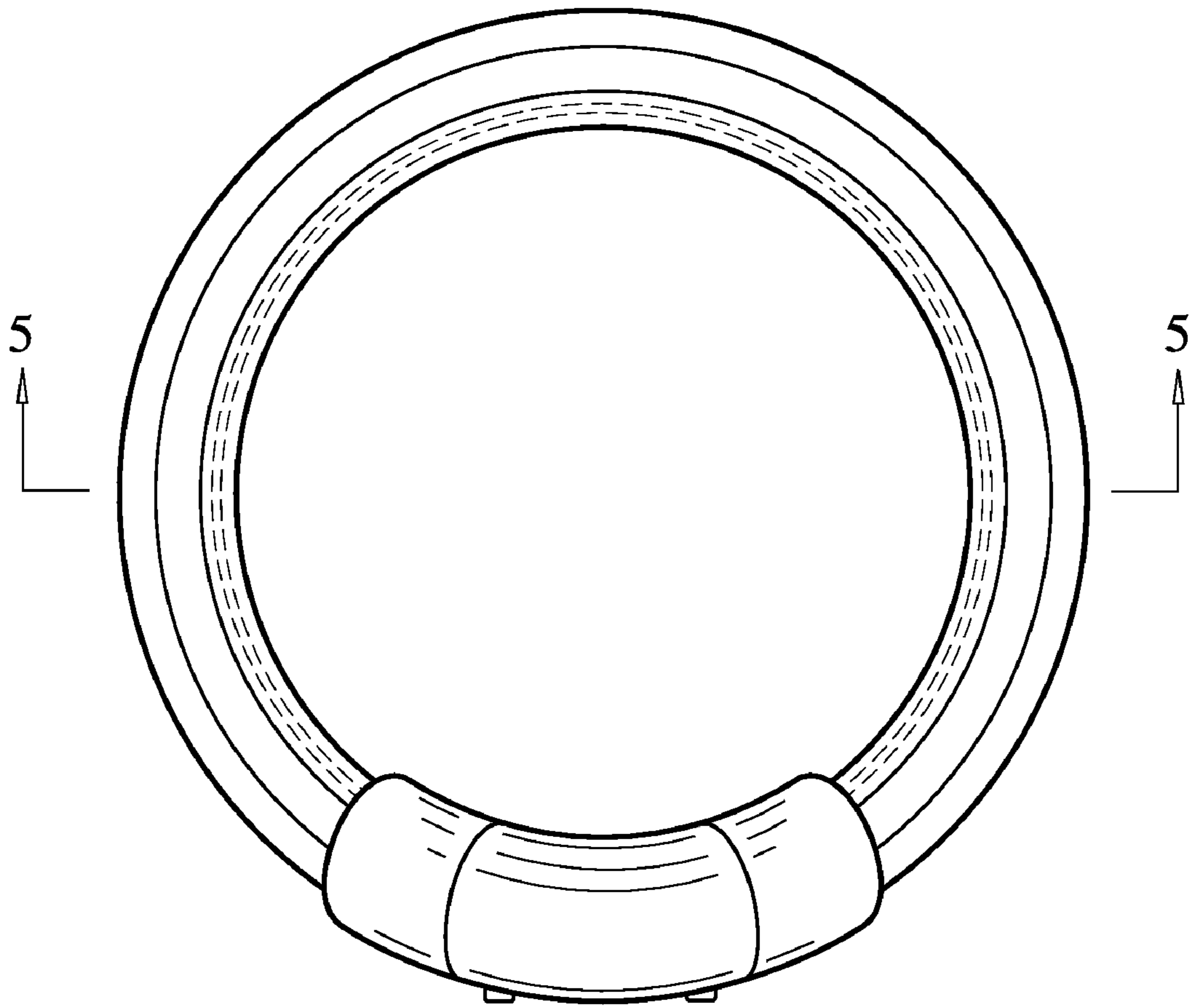


FIG. 6

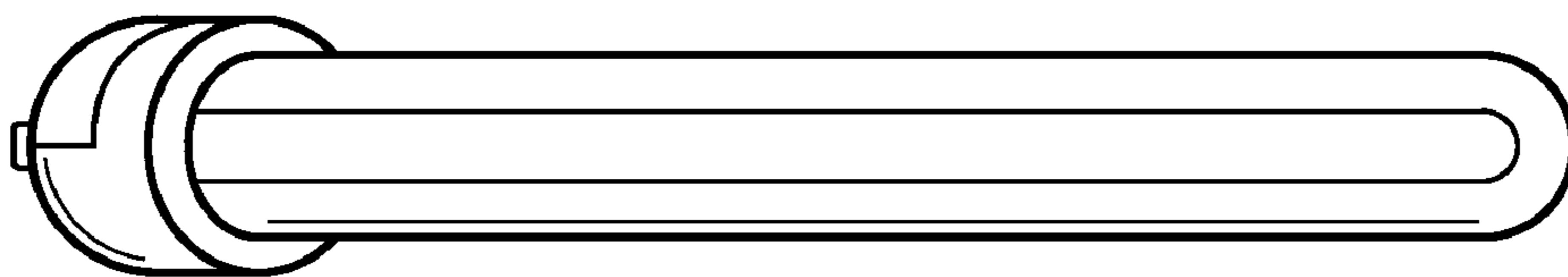


FIG. 7