



US00D576900S

(12) **United States Design Patent**
Kousuge et al.

(10) **Patent No.:** **US D576,900 S**

(45) **Date of Patent:** **** Sep. 16, 2008**

(54) **SCALE**

(75) Inventors: **Rie Kousuge**, Yashio (JP); **Shuji Shibuki**, Mitaka (JP)

(73) Assignee: **Tanita Corporation**, Tokyo (JP)

(**) Term: **14 Years**

(21) Appl. No.: **29/292,570**

(22) Filed: **Oct. 17, 2007**

(30) **Foreign Application Priority Data**

Apr. 20, 2007 (JP) 2007-010572

(51) **LOC (8) Cl.** **10-04**

(52) **U.S. Cl.** **D10/94**

(58) **Field of Classification Search** D10/92,
D10/94; 177/211, 239–245, 25.13–25.18,
177/177, 199, 210 C, 210 R, DIG. 3, 262,
177/4, 30, 126–127; 600/506, 547

See application file for complete search history.

(56) **References Cited**

U.S. PATENT DOCUMENTS

D458,169 S * 6/2002 Shibata et al. D10/93
6,920,352 B2 * 7/2005 Shimomura et al. 600/547
D511,702 S * 11/2005 Murase D10/92
D545,708 S * 7/2007 Kajimoto et al. D10/92

OTHER PUBLICATIONS

Related U.S. Appl. No. 29/292,573, filed Oct. 17, 2007; Inventor: Rie Kousuge et al.

Related U.S. Appl. No. 29/292,571, filed Oct. 17, 2007; Inventor: Rie Kousuge et al.

* cited by examiner

Primary Examiner—Antoine D Davis

(74) *Attorney, Agent, or Firm*—Frishauf, Holtz, Goodman & Chick, P.C.

(57) **CLAIM**

The ornamental design for a scale, as shown and described.

DESCRIPTION

FIG. 1 is a front, right side, bottom perspective view of a scale showing our new design;

FIG. 2 is a front elevational view thereof;

FIG. 3 is a rear elevational view thereof;

FIG. 4 is a left side view thereof;

FIG. 5 is a right side view thereof;

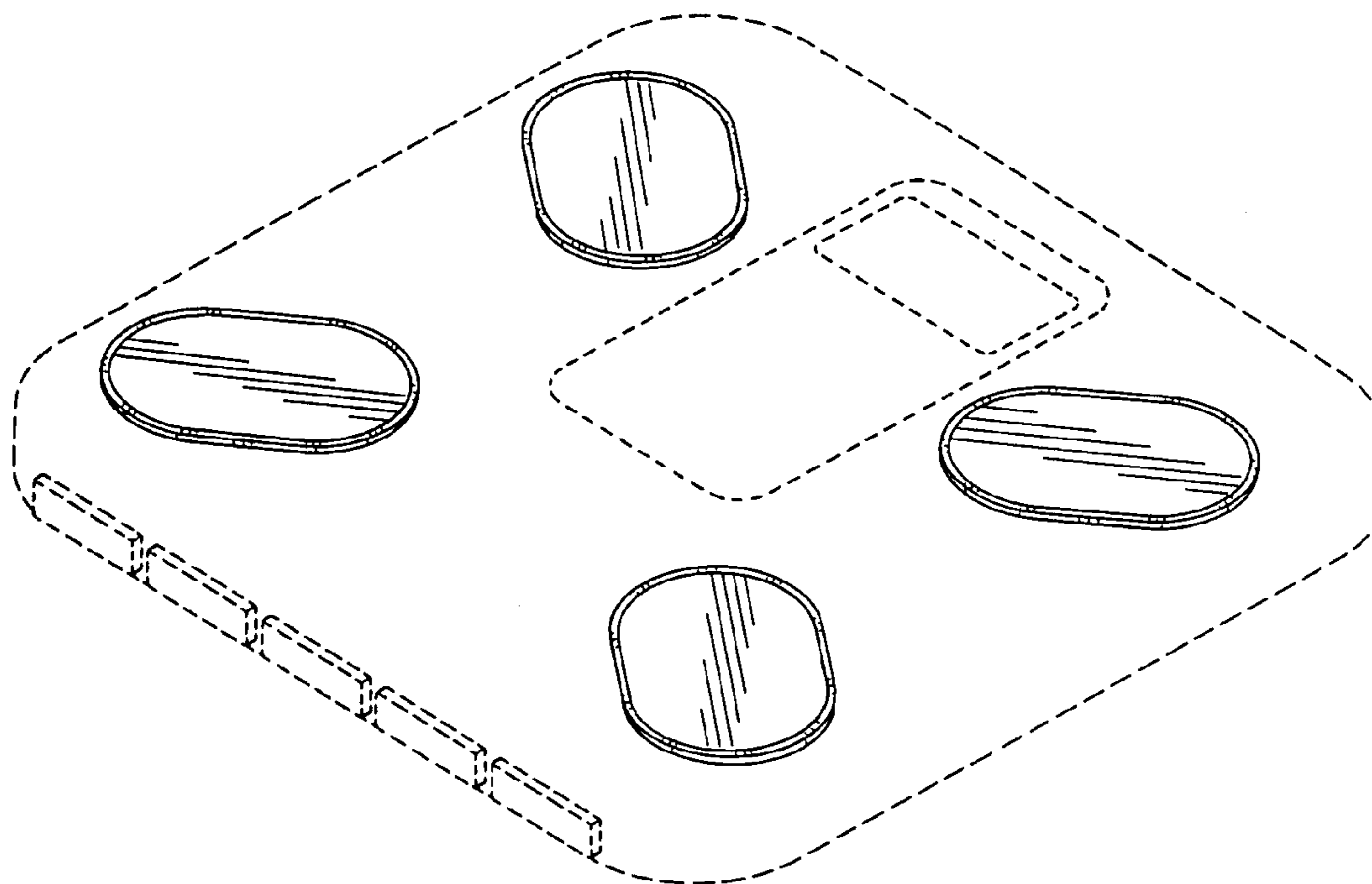
FIG. 6 is a top plan view thereof;

FIG. 7 is a bottom plan view thereof; and,

FIG. 8 is a reference perspective view thereof with a ridge line.

The portions of the scale in broken lines are shown for illustrative purposes only and form no part of the claimed design.

1 Claim, 7 Drawing Sheets



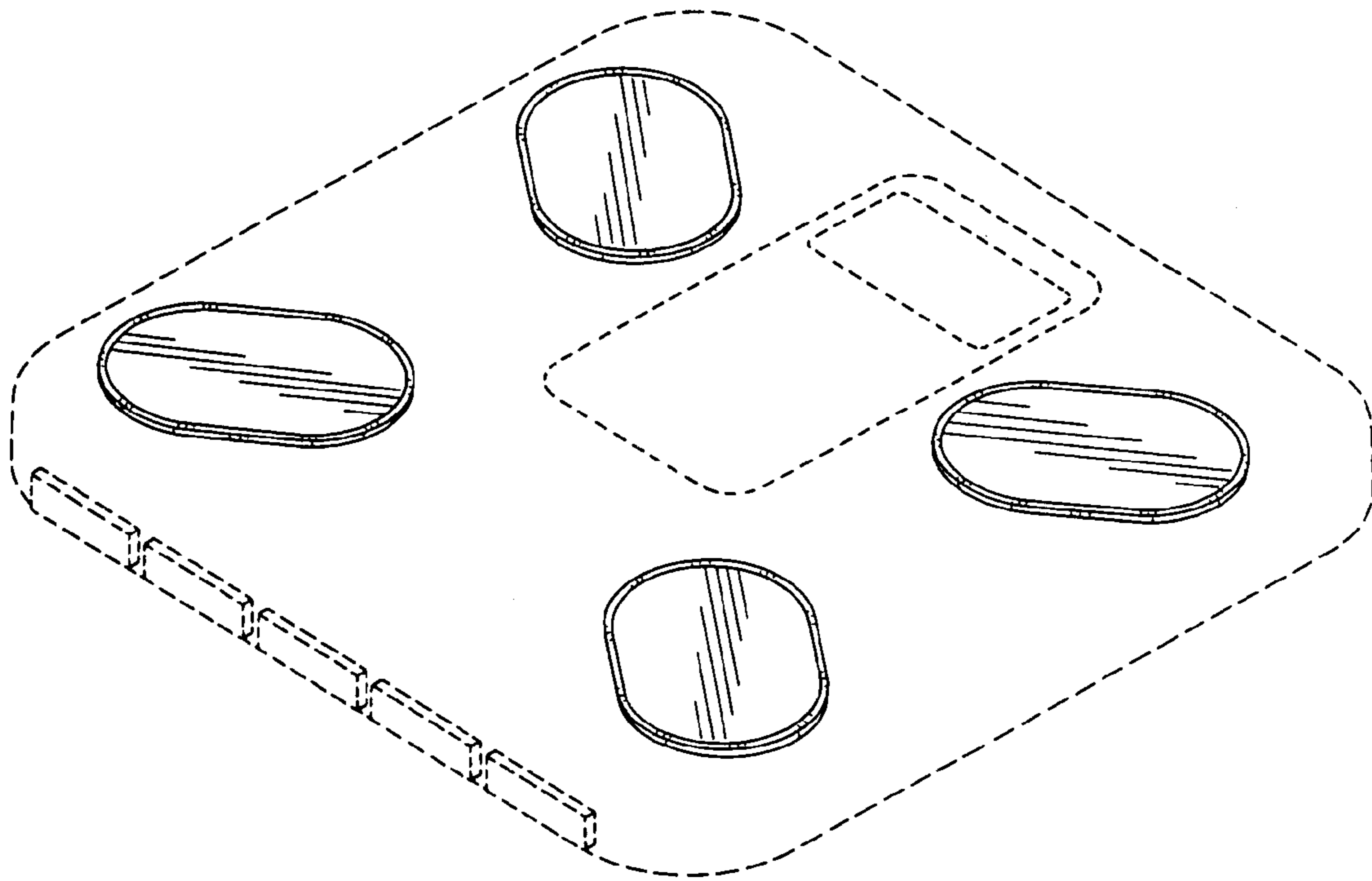


FIG. 1

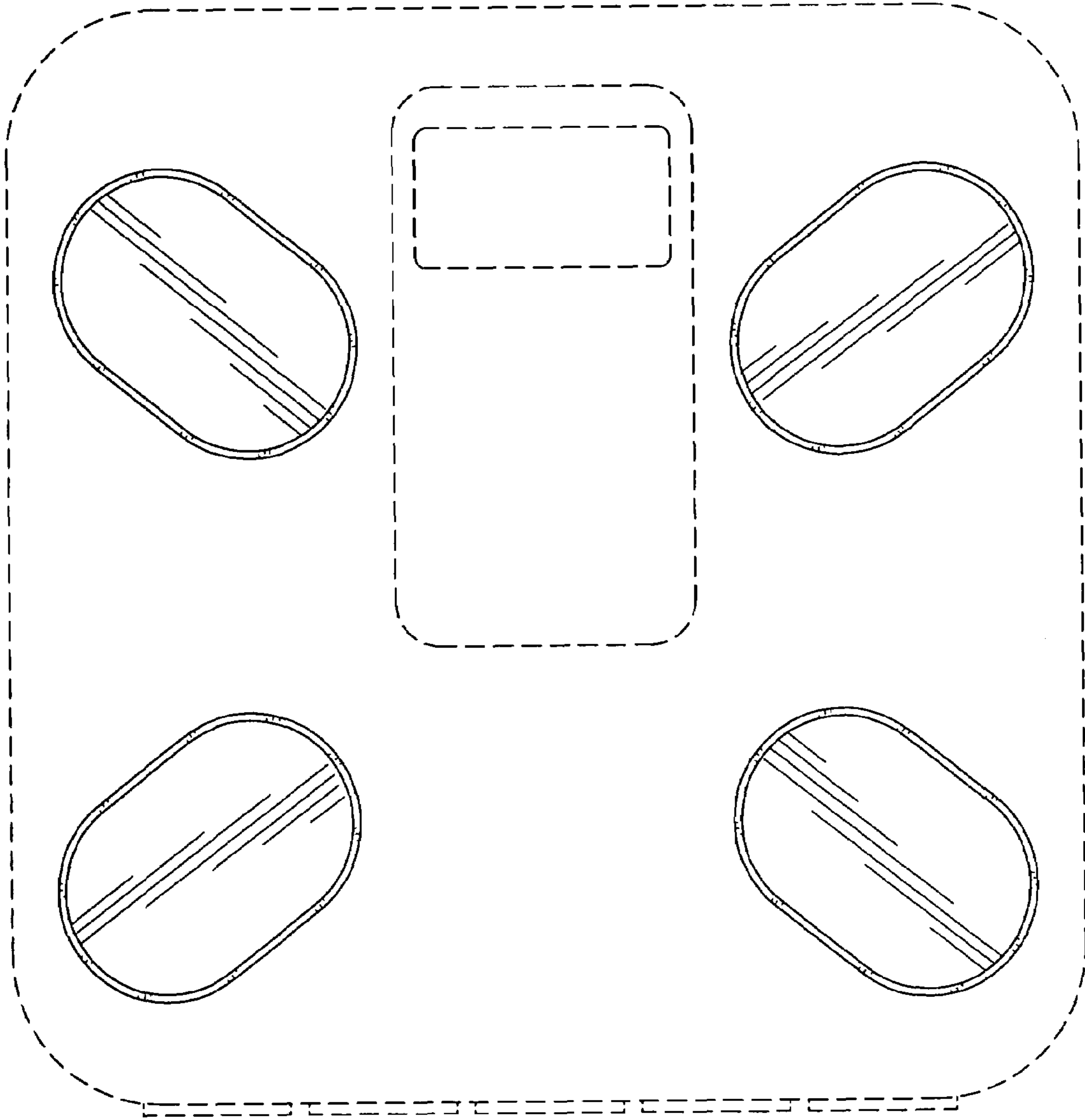


FIG. 2

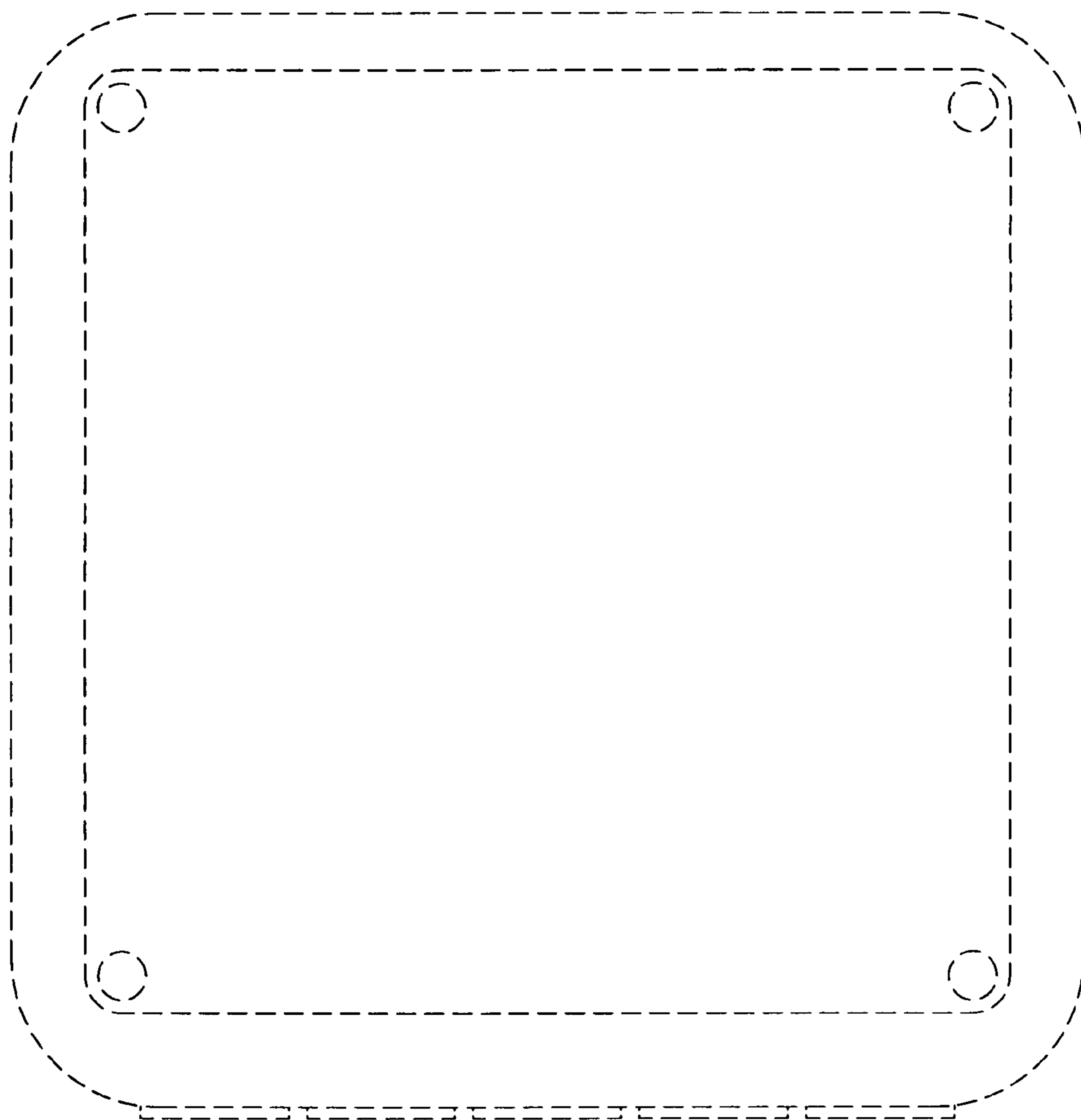


FIG. 3

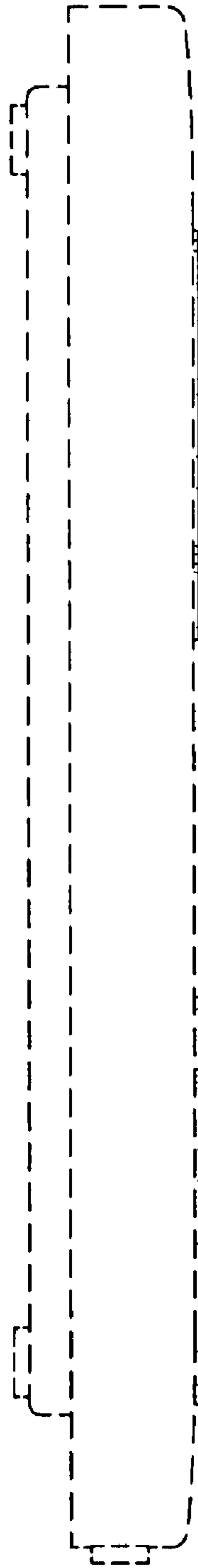


FIG. 4

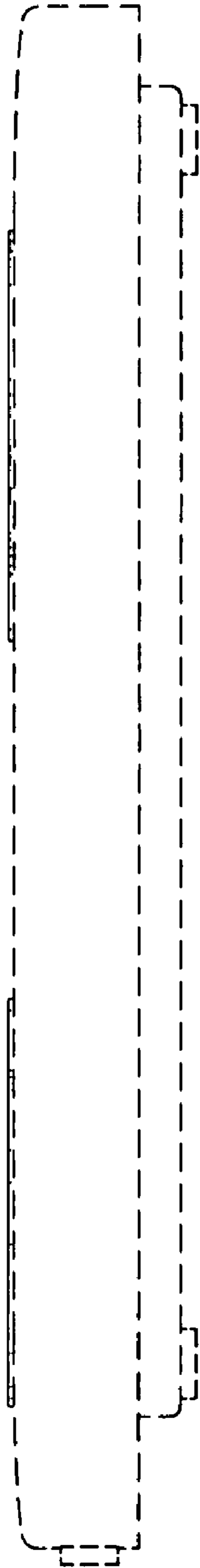


FIG. 5

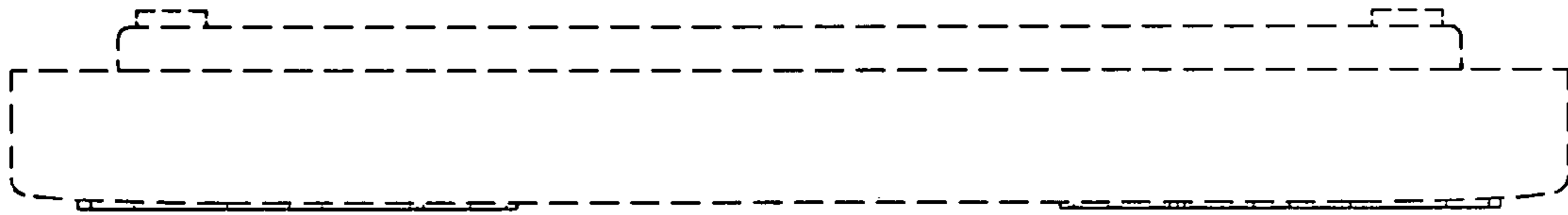


FIG. 6

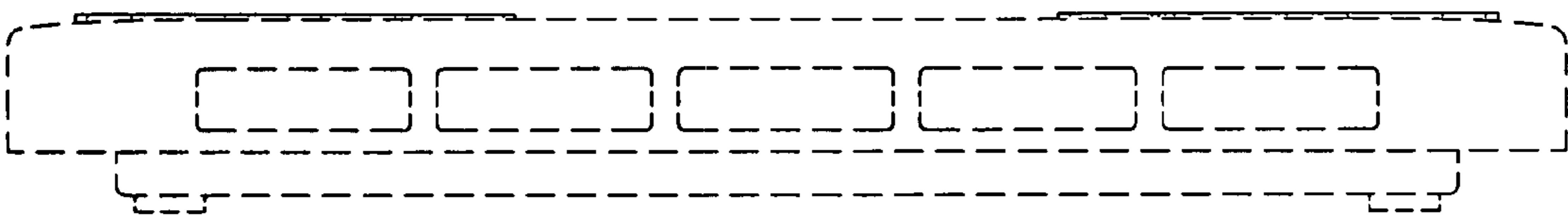


FIG. 7

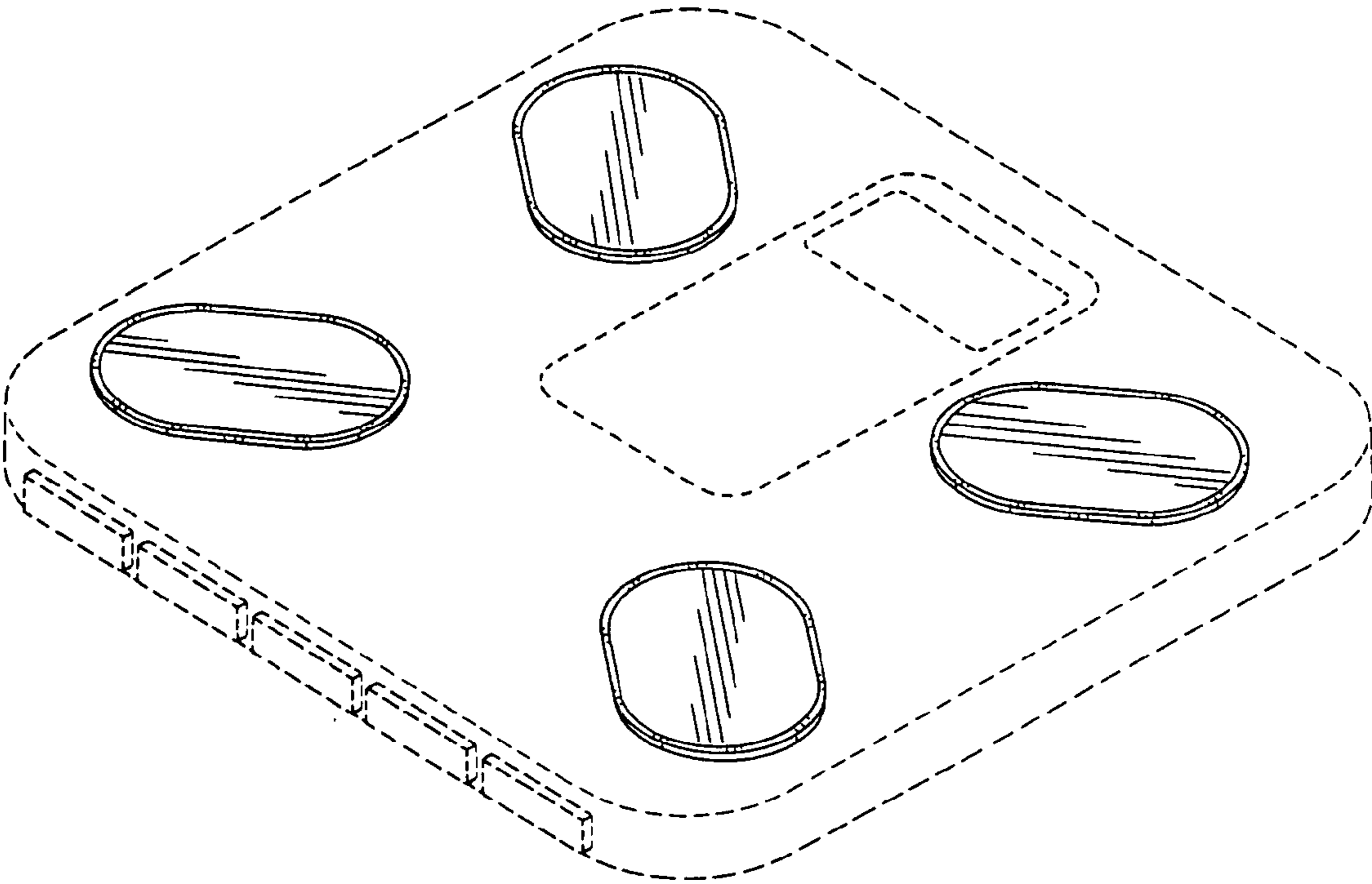


FIG. 8