



US00D576899S

(12) **United States Design Patent**
Kousuge et al.

(10) **Patent No.:** **US D576,899 S**

(45) **Date of Patent:** **** Sep. 16, 2008**

(54) **SCALE**

(75) Inventors: **Rie Kousuge**, Yashio (JP); **Shuji Shibuki**, Mitaka (JP)

(73) Assignee: **Tanita Corporation**, Tokyo (JP)

(**) Term: **14 Years**

(21) Appl. No.: **29/292,573**

(22) Filed: **Oct. 17, 2007**

(30) **Foreign Application Priority Data**

Apr. 20, 2007 (JP) 2007-010573

(51) **LOC (8) Cl.** **10-04**

(52) **U.S. Cl.** **D10/92**

(58) **Field of Classification Search** D10/92,
D10/94; 177/211, 239–245, 25.13–25.18,
177/177, 199, 210 C, 210 R, DIG. 3, 262,
177/4, 30, 126–127; 600/506, 547

See application file for complete search history.

(56) **References Cited**

U.S. PATENT DOCUMENTS

D458,169 S * 6/2002 Shibata et al. D10/93
6,920,352 B2 * 7/2005 Shimomura et al. 600/547
D511,702 S * 11/2005 Murase D10/92
D545,708 S * 7/2007 Kajimoto et al. D10/92

OTHER PUBLICATIONS

Related U.S. Appl. No. 29/292,571, filed Oct. 17, 2007; Inventor: Rie Kousuge et al.

Related U.S. Appl. No. 29/292,570, filed Oct. 17, 2007; Inventor: Rie Kousuge et al.

* cited by examiner

Primary Examiner—Antoine D Davis

(74) *Attorney, Agent, or Firm*—Frishauf, Holtz, Goodman & Chick, P.C.

(57) **CLAIM**

The ornamental design for a scale, as shown and described.

DESCRIPTION

FIG. 1 is a front, right side, bottom perspective view of a scale showing our new design;

FIG. 2 is a front elevational view thereof;

FIG. 3 is a rear elevational view thereof;

FIG. 4 is a left side view thereof;

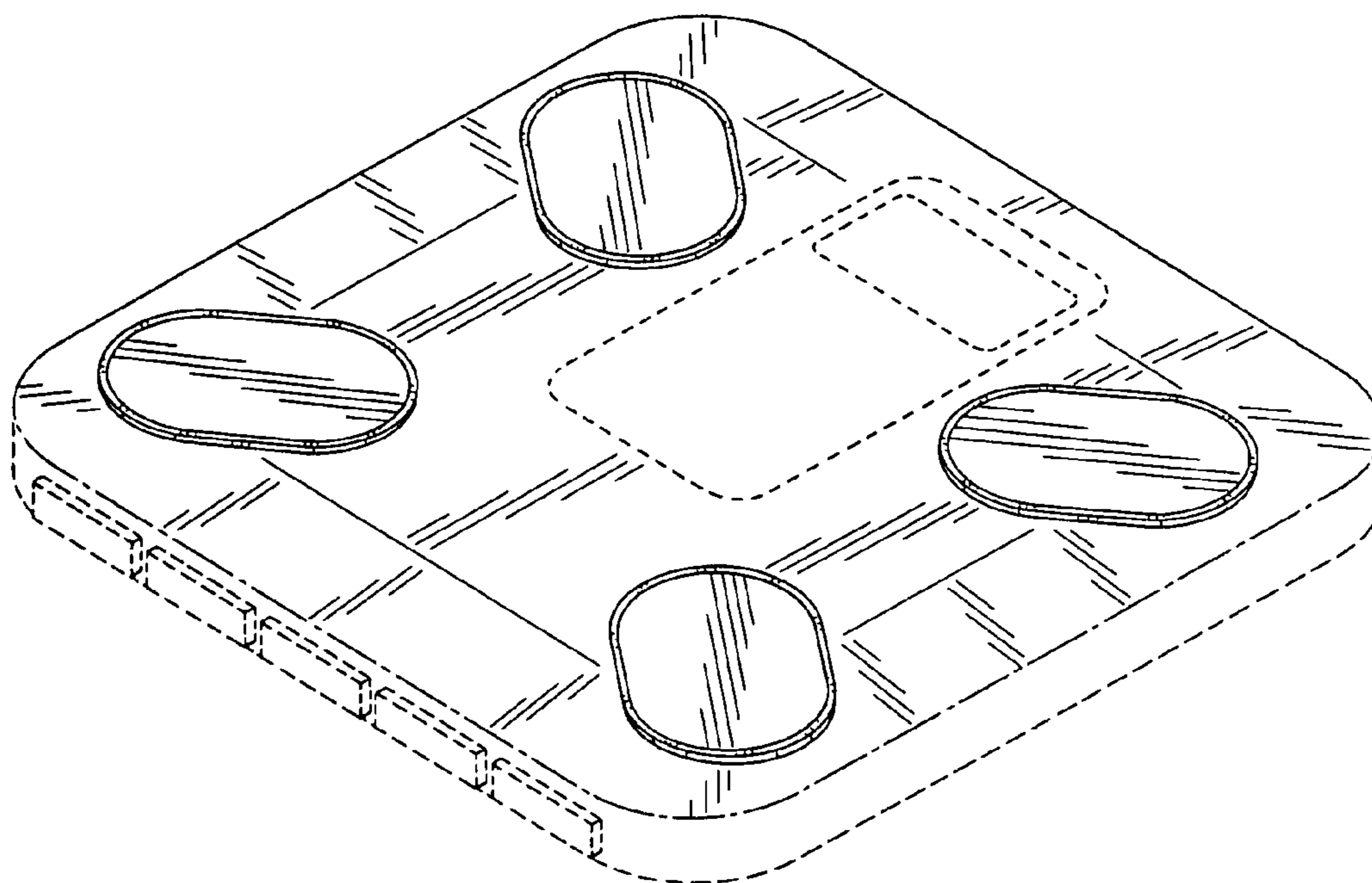
FIG. 5 is a right side view thereof;

FIG. 6 is a top plan view thereof; and,

FIG. 7 is a bottom plan view thereof.

The broken line (dashed line) showing of portions of the scale are for illustrative purpose only and form no part of the claimed design. The chain lines are provided to show the borderline between the claimed portions and the broken line portions which are not being claimed.

1 Claim, 6 Drawing Sheets



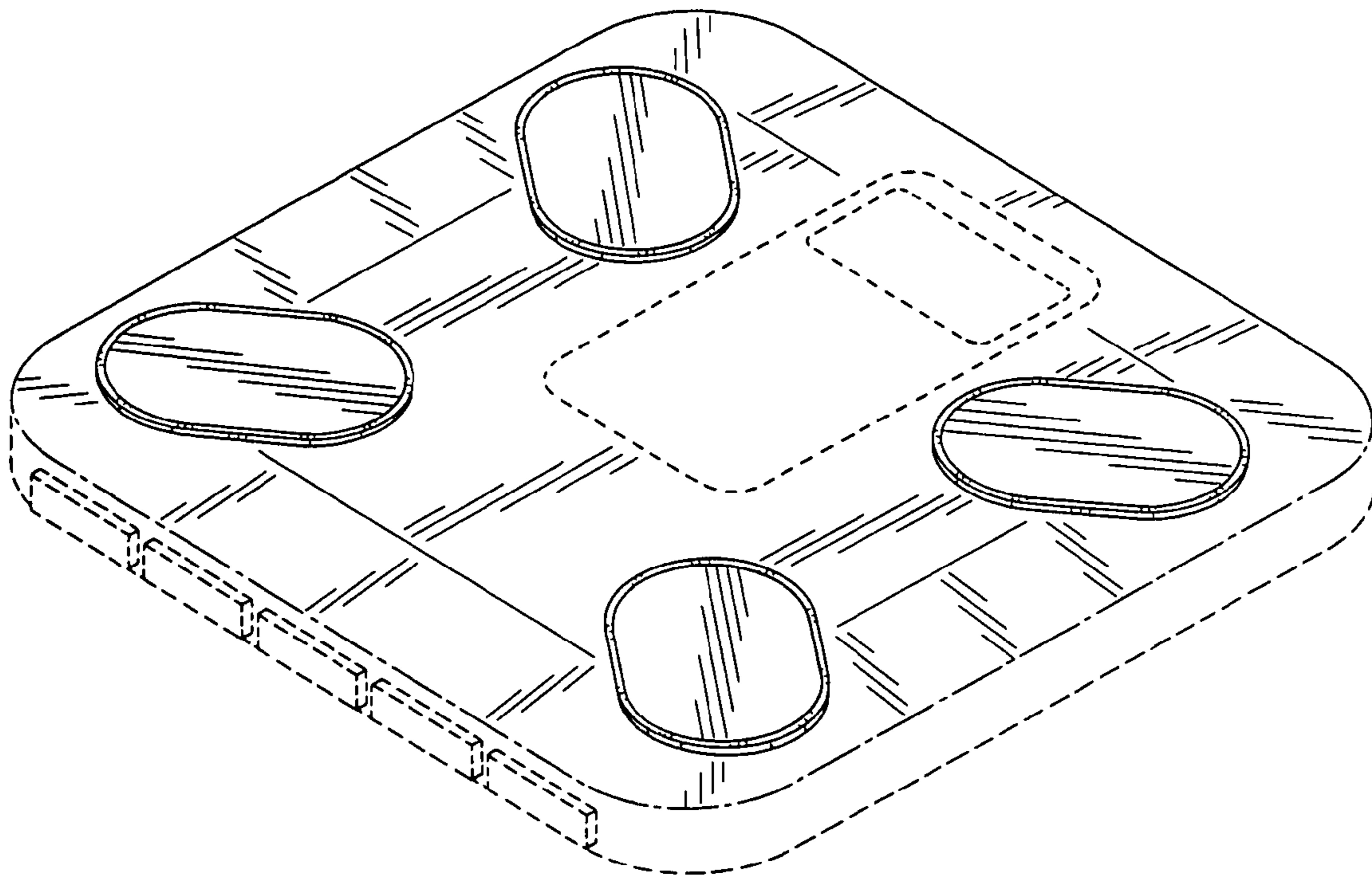


FIG. 1

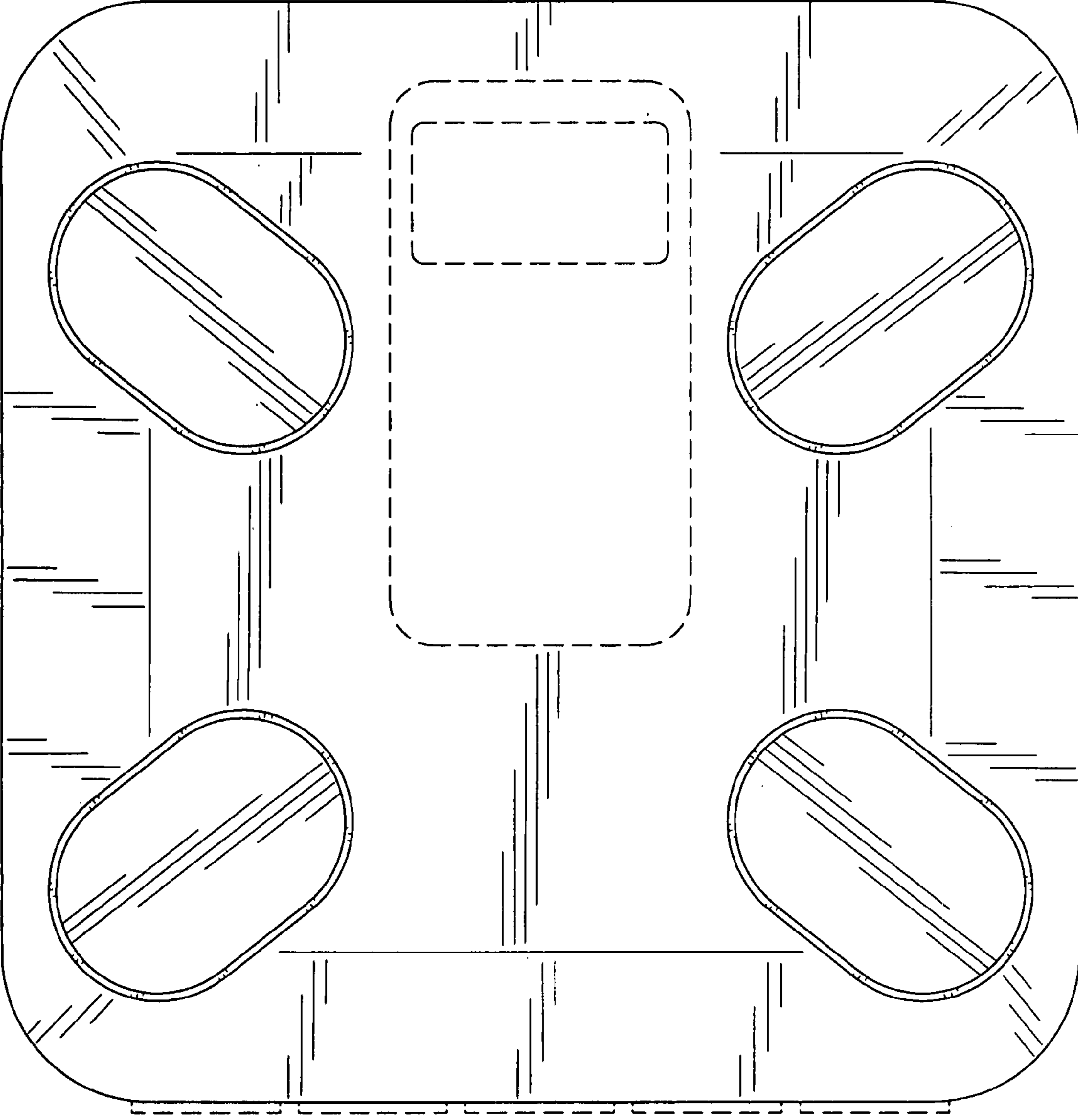


FIG. 2

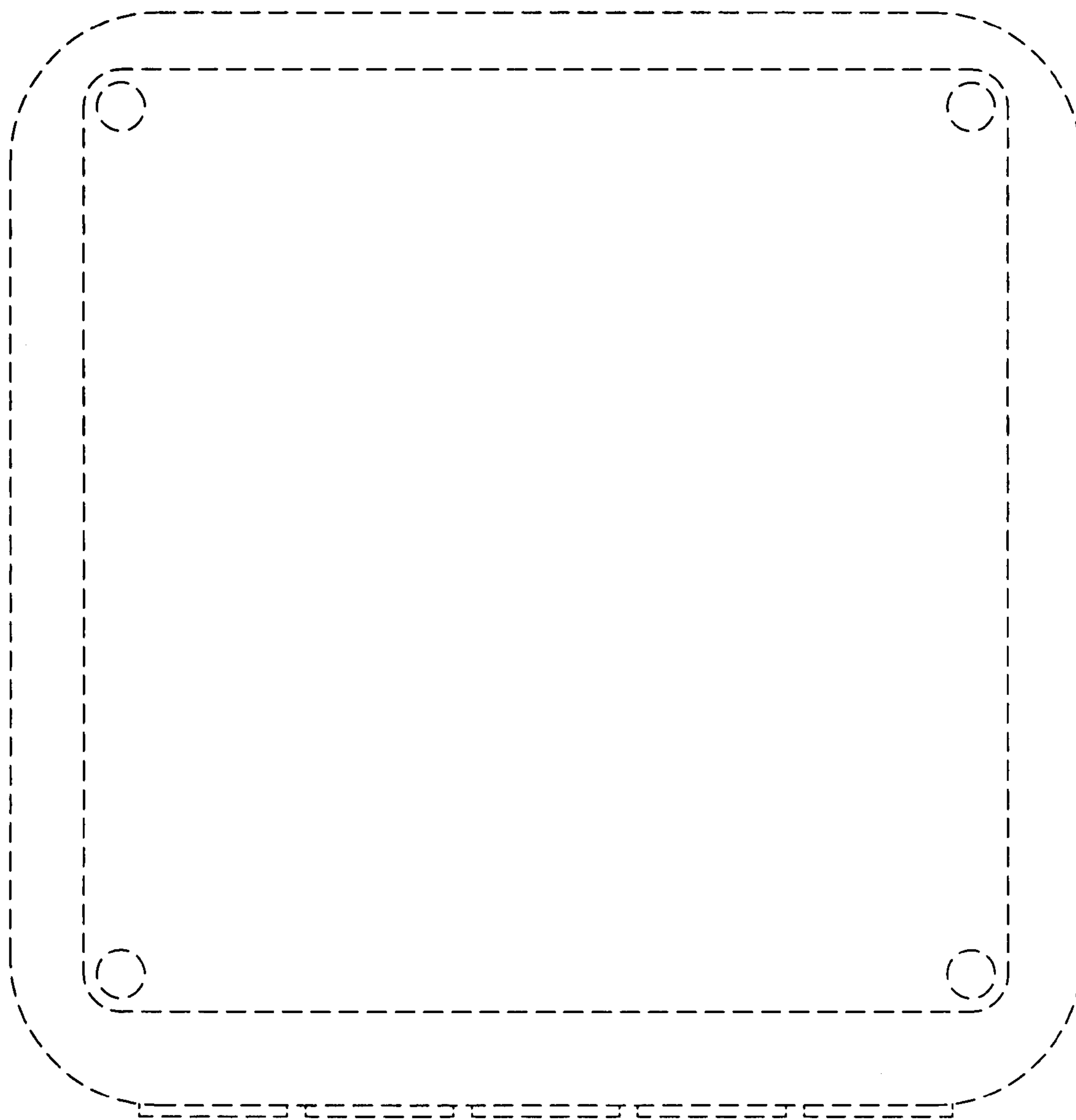


FIG. 3

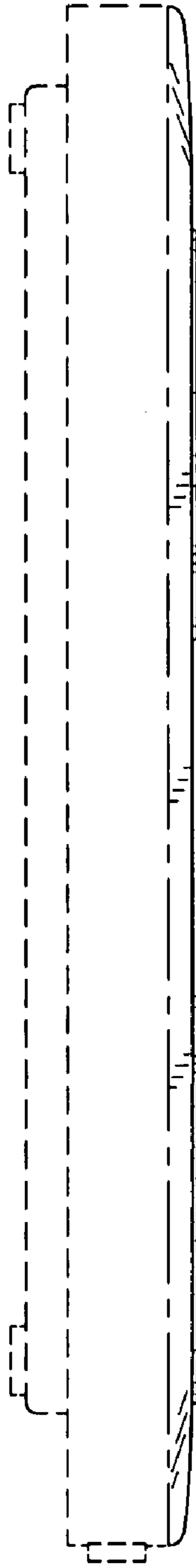


FIG. 4

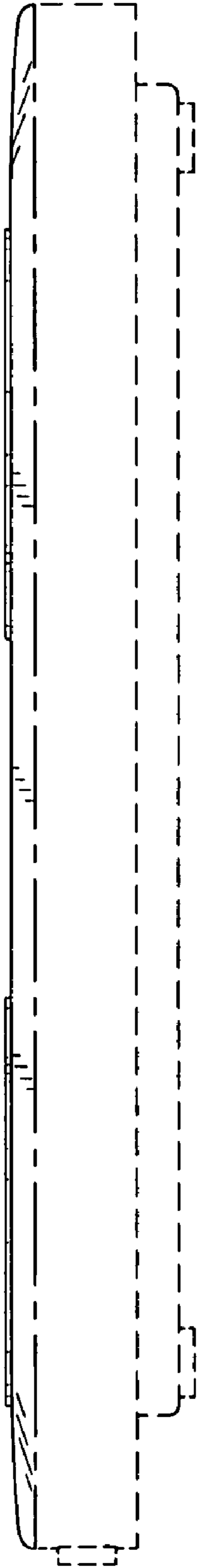


FIG. 5

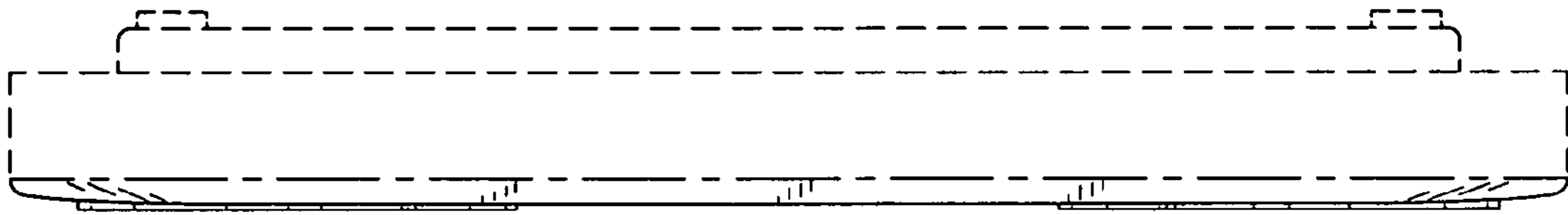


FIG. 6

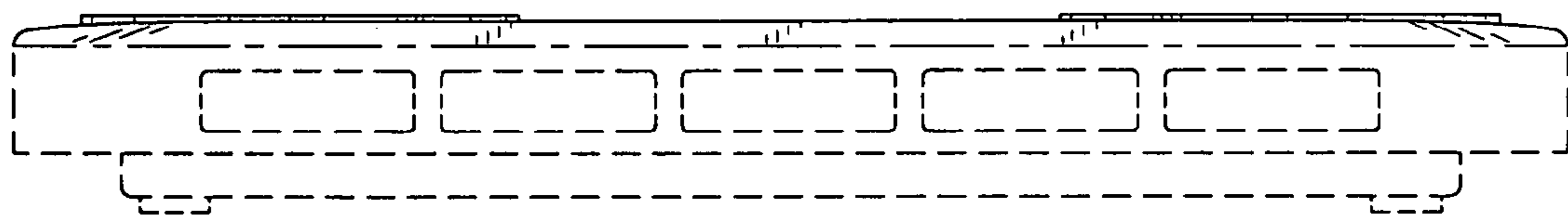


FIG. 7