



US00D576898S

(12) **United States Design Patent**  
**Kousuge et al.**

(10) **Patent No.:** **US D576,898 S**

(45) **Date of Patent:** **\*\* Sep. 16, 2008**

(54) **SCALE**

(75) Inventors: **Rie Kousuge**, Yashio (JP); **Shuji Shibuki**, Mitaka (JP)

(73) Assignee: **Tanita Corporation**, Tokyo (JP)

(\*\*) Term: **14 Years**

(21) Appl. No.: **29/292,571**

(22) Filed: **Oct. 17, 2007**

(30) **Foreign Application Priority Data**

Apr. 20, 2007 (JP) ..... 2007-010571

(51) **LOC (8) Cl.** ..... **10-04**

(52) **U.S. Cl.** ..... **D10/92**

(58) **Field of Classification Search** ..... D10/92,  
D10/94; 177/211, 239–245, 25.13–25.18,  
177/177, 199, 210 C, 210 R, DIG. 3, 262,  
177/4, 30, 126–127; 600/506, 547

See application file for complete search history.

(56) **References Cited**

**U.S. PATENT DOCUMENTS**

D458,169 S \* 6/2002 Shibata et al. .... D10/93  
6,920,352 B2 \* 7/2005 Shimomura et al. .... 600/547  
D511,702 S \* 11/2005 Murase ..... D10/92  
D545,708 S \* 7/2007 Kajimoto et al. .... D10/92

**OTHER PUBLICATIONS**

Related U.S. Appl. No. 29/292,573, filed Oct. 17, 2007; Inventor: Rie Kousuge et al.

Related U.S. Appl. No. 29/292,570, filed Oct. 17, 2007; Inventor: Rie Kousuge et al.

\* cited by examiner

*Primary Examiner*—Antoine D Davis

(74) *Attorney, Agent, or Firm*—Frishauf, Holtz, Goodman & Chick, P.C.

(57) **CLAIM**

The ornamental design for a scale, as shown and described.

**DESCRIPTION**

FIG. 1 is a front, right side, bottom perspective view of a scale showing our new design;

FIG. 2 is a front elevational view thereof;

FIG. 3 is a rear elevational view thereof;

FIG. 4 is a left side view thereof;

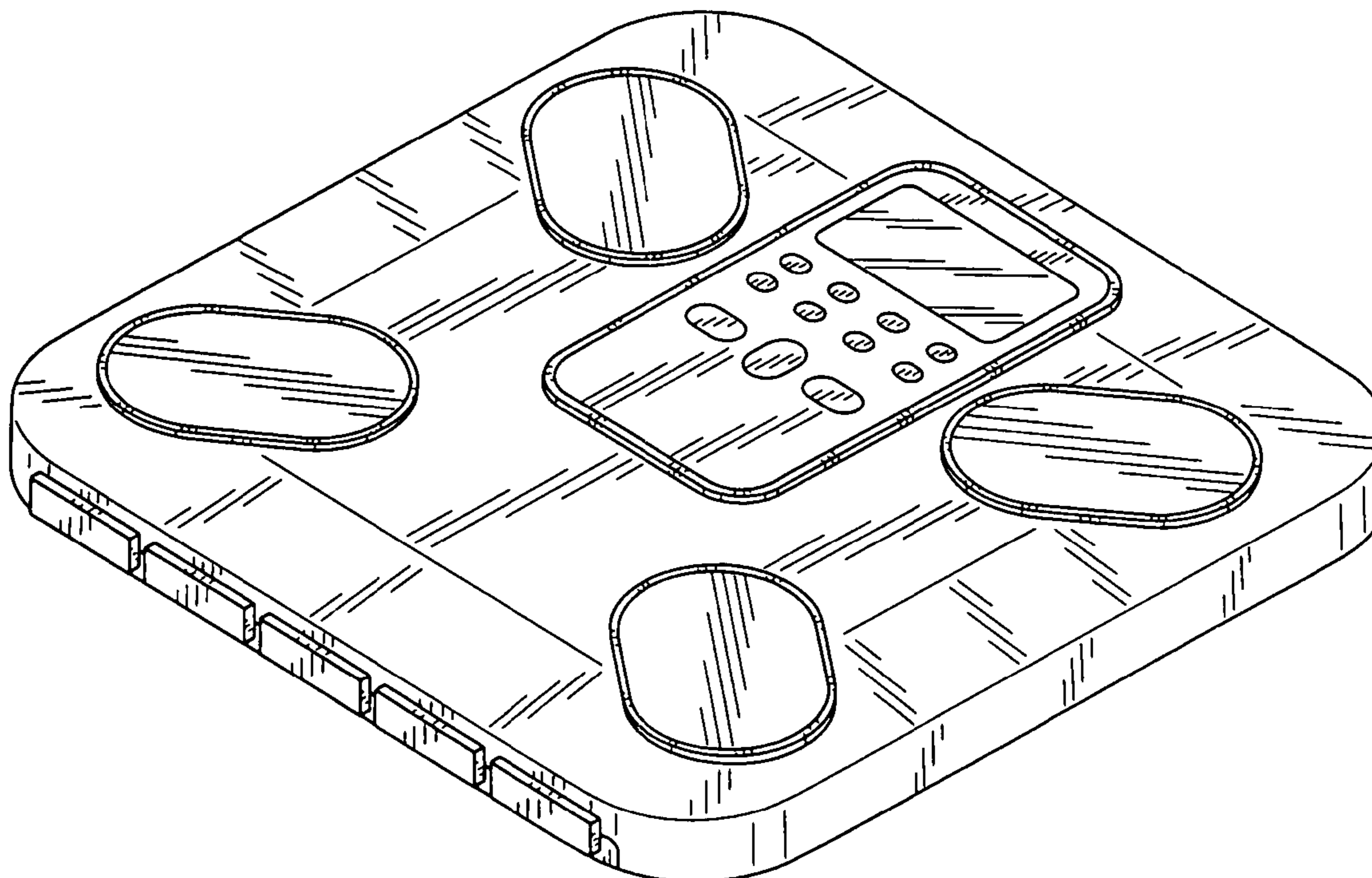
FIG. 5 is a right side view thereof;

FIG. 6 is a top plan view thereof;

FIG. 7 is a bottom plan view thereof; and,

FIG. 8 is a reference front elevational view thereof, showing a state in which this article is electrified.

**1 Claim, 7 Drawing Sheets**



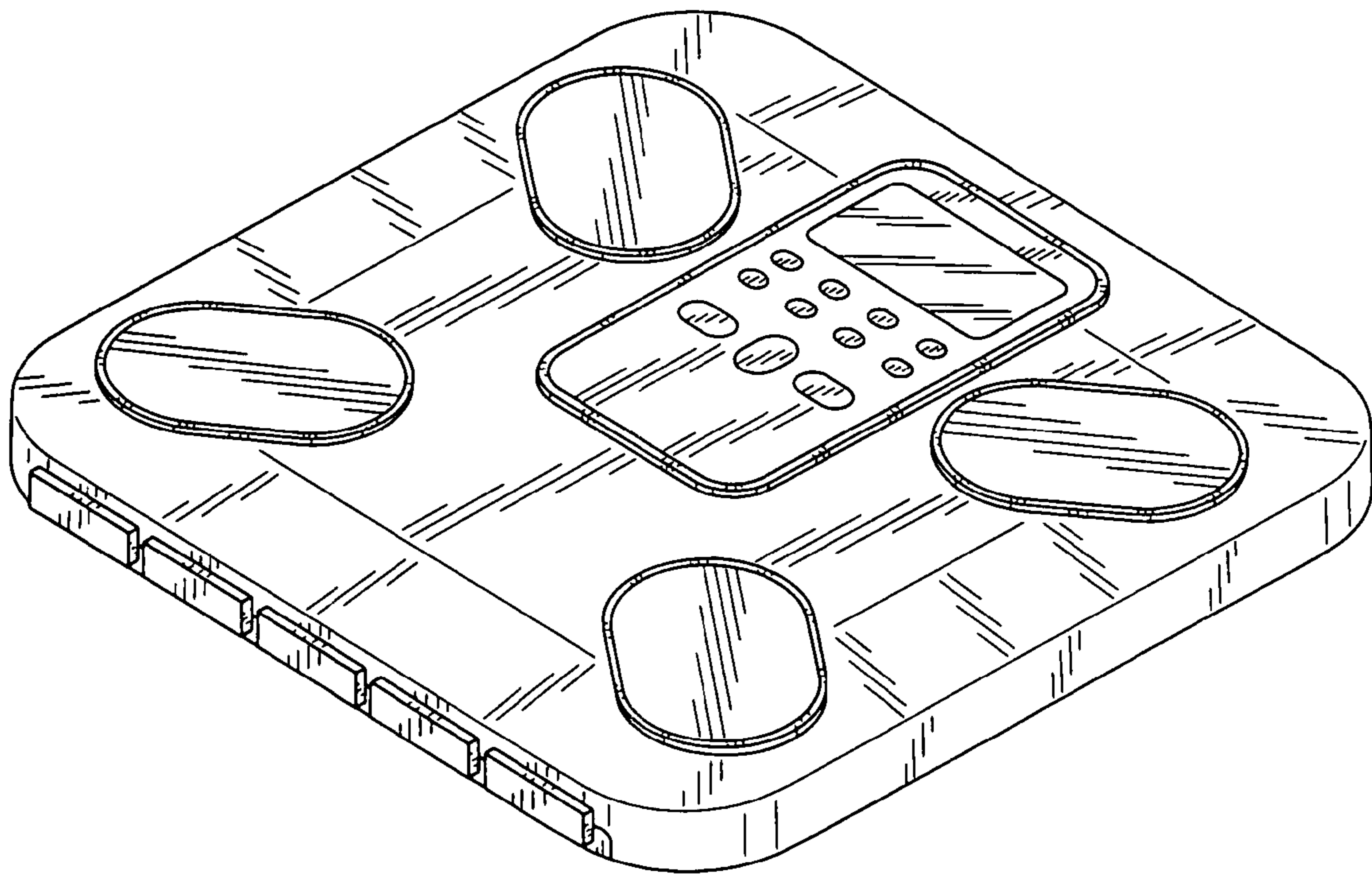


FIG. 1

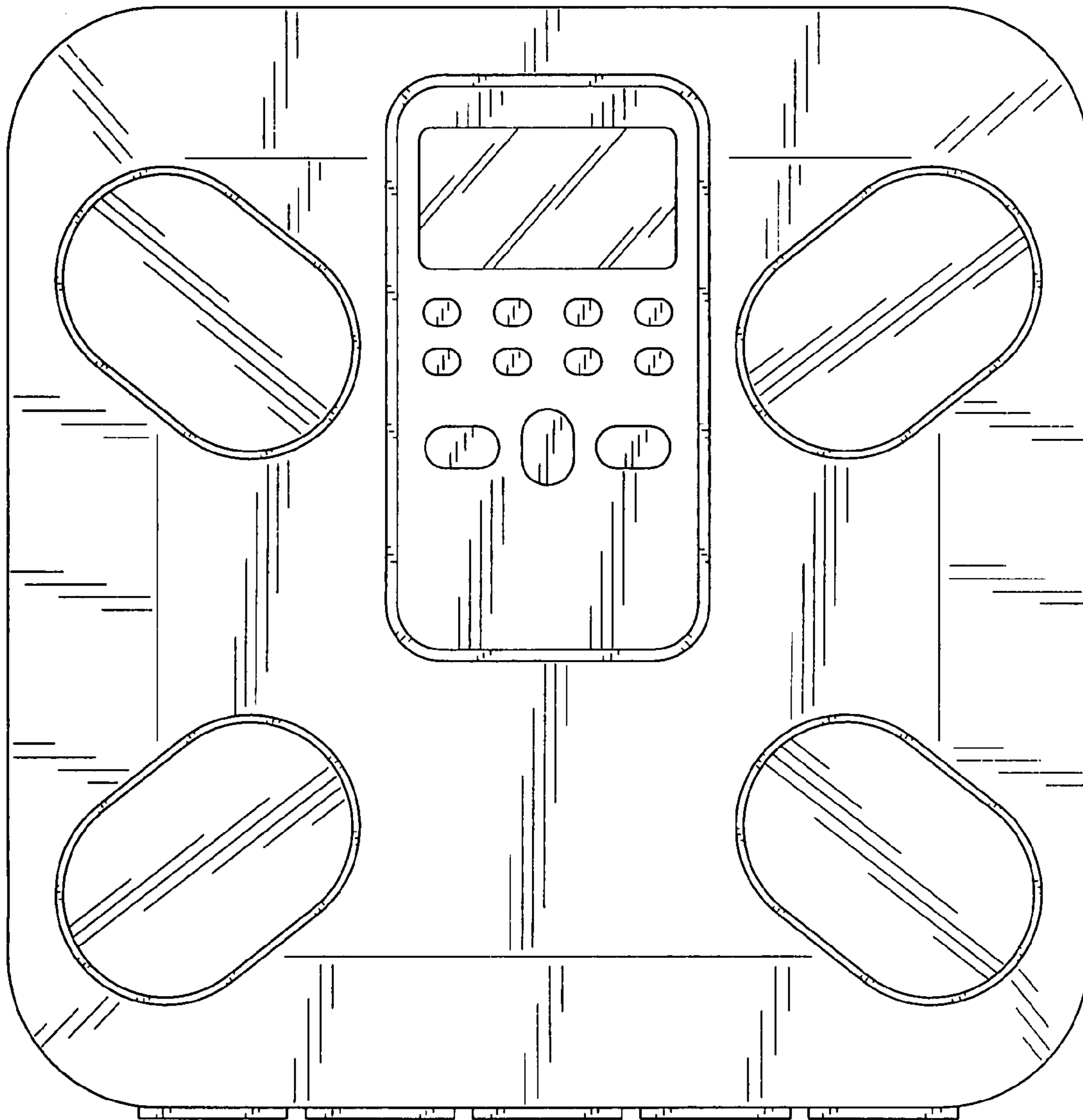
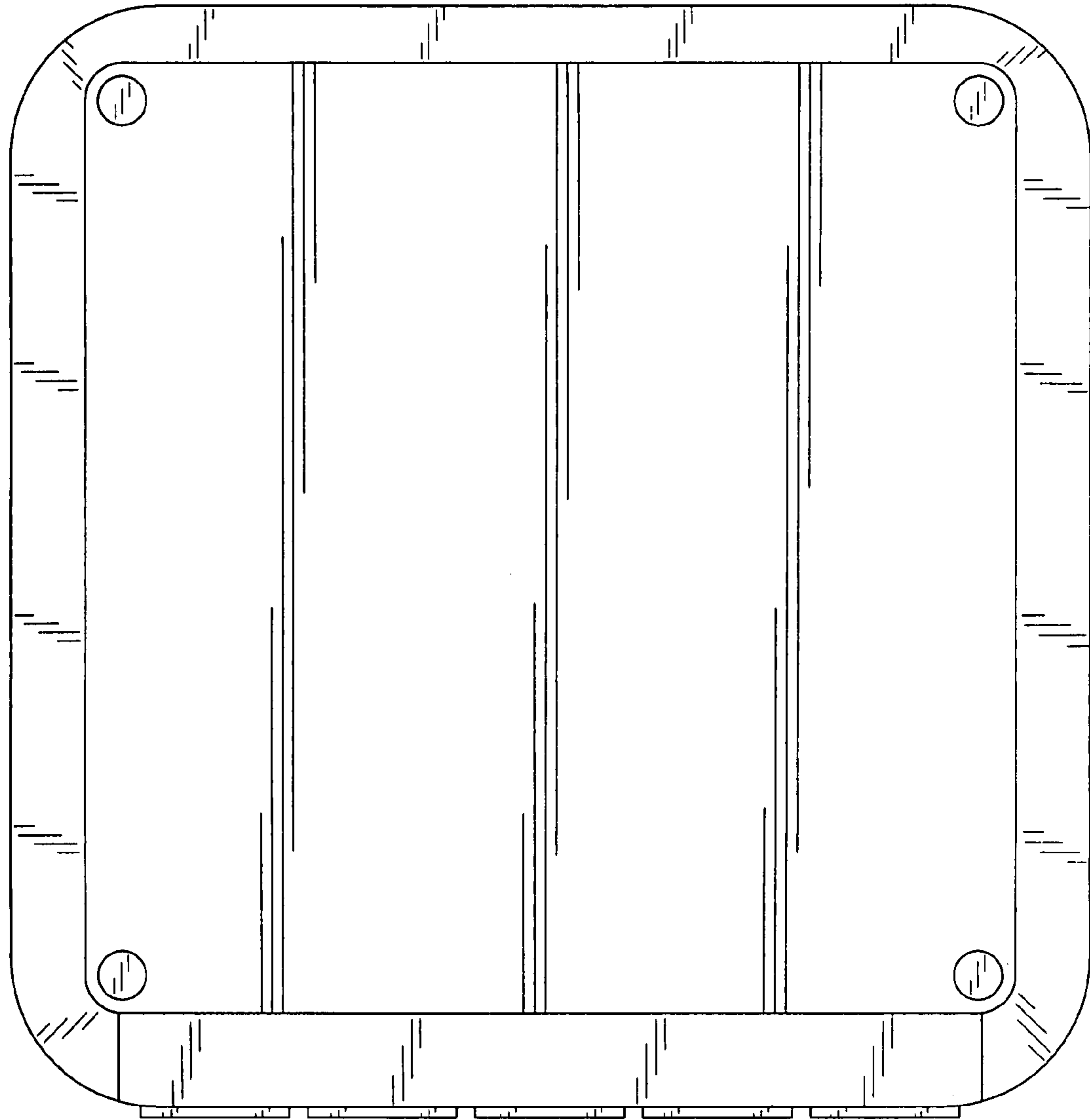
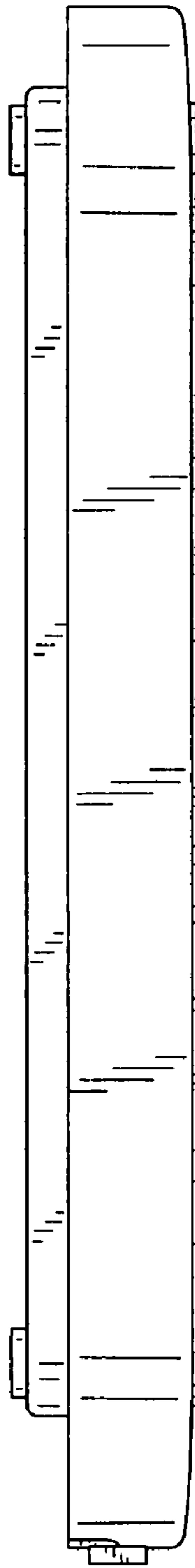


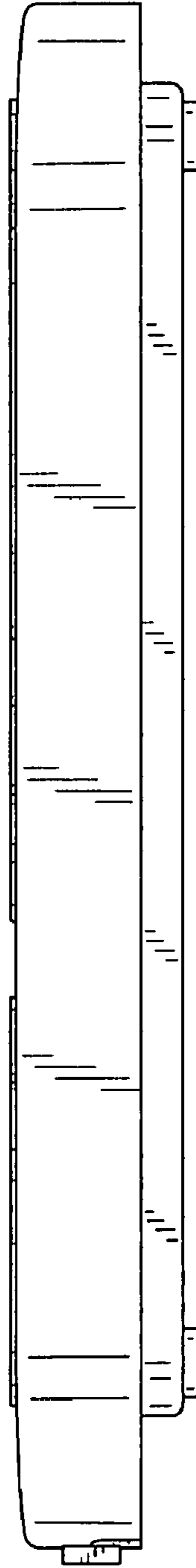
FIG. 2



**FIG. 3**



**FIG. 4**

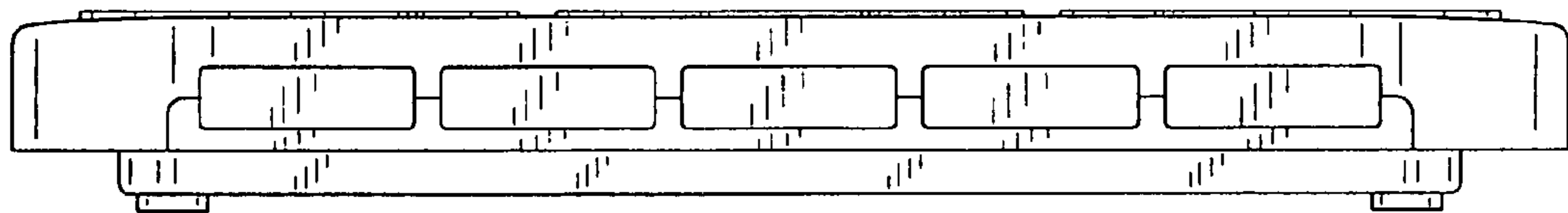


**FIG. 5**





**FIG. 6**



**FIG. 7**

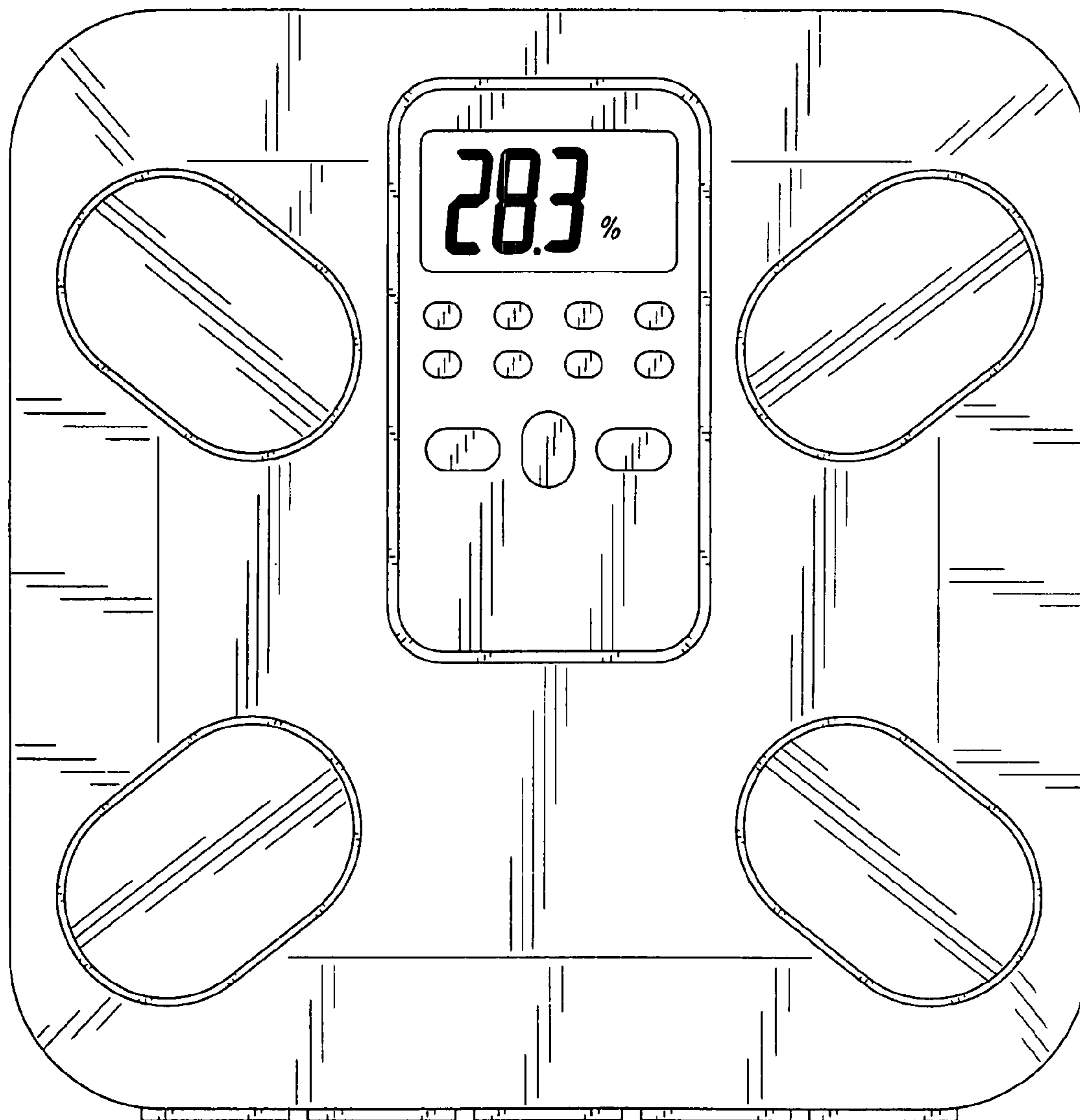


FIG. 8