



US00D576897S

(12) **United States Design Patent**  
**Quimby et al.**

(10) **Patent No.:** **US D576,897 S**

(45) **Date of Patent:** **\*\* Sep. 16, 2008**

(54) **GAUGE HOUSING**

7,339,487 B2 \* 3/2008 Wang ..... 340/679

(75) Inventors: **Bruce D. Quimby**, Wilmington, DE (US); **Joseph B. Bush**, Wilmington, DE (US); **Robert D. Ricker**, Wilmington, DE (US); **Thomas M. Logan**, Wilmington, DE (US); **Viet X. Nguyen**, Wilmington, DE (US); **Alvin D. Schmidt**, Wilmington, DE (US); **Glenn Thomas**, Louisville, KY (US); **David Hubbard**, Louisville, KY (US); **Joseph Spalding**, Louisville, KY (US); **Paul J. Powell, Jr.**, Wilmington, DE (US)

OTHER PUBLICATIONS  
Praxair "Remote Cylinder Monitoring Service" literature, 4 pages, copyright 2006.  
Ashcroft Pressure Instruments Bulletin DGQG-1, 2 pages, copyright Jun. 2003.

\* cited by examiner

*Primary Examiner*—Antoine D Davis  
(74) *Attorney, Agent, or Firm*—Marc Bobys

(73) Assignee: **Agilent Technologies Inc.**, Santa Clara, CA (US)

(57) **CLAIM**

We claim the ornamental design for a gauge housing, as shown and described.

(\*\*) Term: **14 Years**

**DESCRIPTION**

(21) Appl. No.: **29/299,323**

FIG. 1 is a perspective view of our design for a gauge housing; FIG. 2 is a front view of the design for a gauge housing shown in FIG. 1;

(22) Filed: **Dec. 21, 2007**

FIG. 3 is a right side view of the design for a gauge housing shown in FIG. 1;

(51) **LOC (8) Cl.** ..... **10-04**

(52) **U.S. Cl.** ..... **D10/85; D10/102**

(58) **Field of Classification Search** ..... D10/85, D10/102; 73/715-722, 431, 705; 200/83, 200/83 B, 83 C, 83 L; 324/110-116, 119; 340/688, 626; 250/231.11

FIG. 4 is a left side view of the design for a gauge housing shown in FIG. 1;

FIG. 5 is a top view of the design for a gauge housing shown in FIG. 1;

See application file for complete search history.

FIG. 6 is a bottom view of the design for a gauge housing shown in FIG. 1;

(56) **References Cited**

**U.S. PATENT DOCUMENTS**

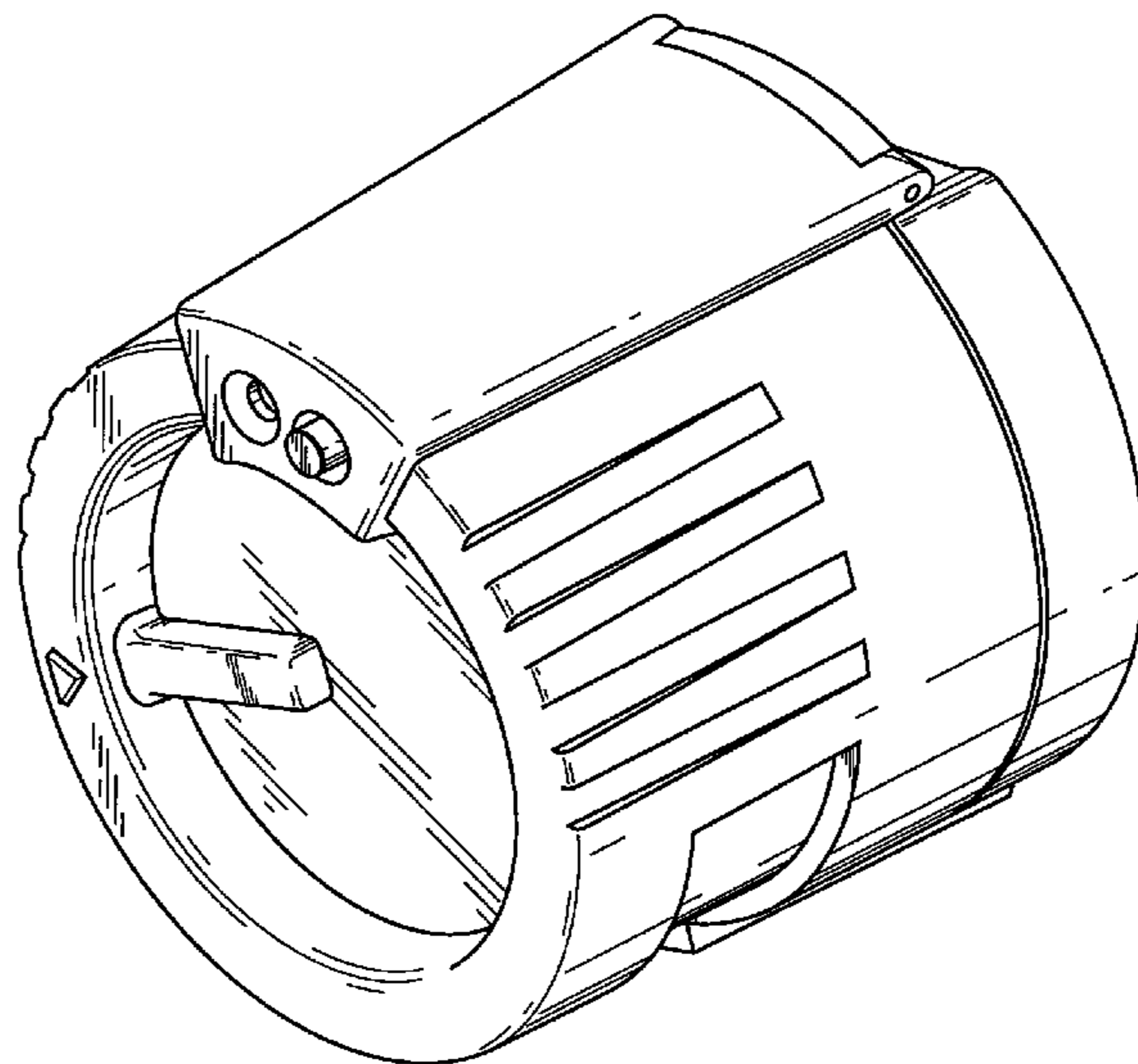
D201,255 S *	6/1965	Casper	.....	D10/102
3,441,740 A *	4/1969	Decloux et al.	.....	340/688
4,275,393 A	6/1981	Johnston		
6,739,886 B1 *	5/2004	Robinson et al.	.....	324/110
6,825,770 B2 *	11/2004	Miller et al.	.....	340/626
D514,007 S *	1/2006	Buchanan	.....	D10/85
6,981,421 B2 *	1/2006	Palmer et al.	.....	73/735
D523,362 S *	6/2006	Wu	.....	D10/102

FIG. 7 is a rear view of the design for a gauge housing shown in FIG. 1; and,

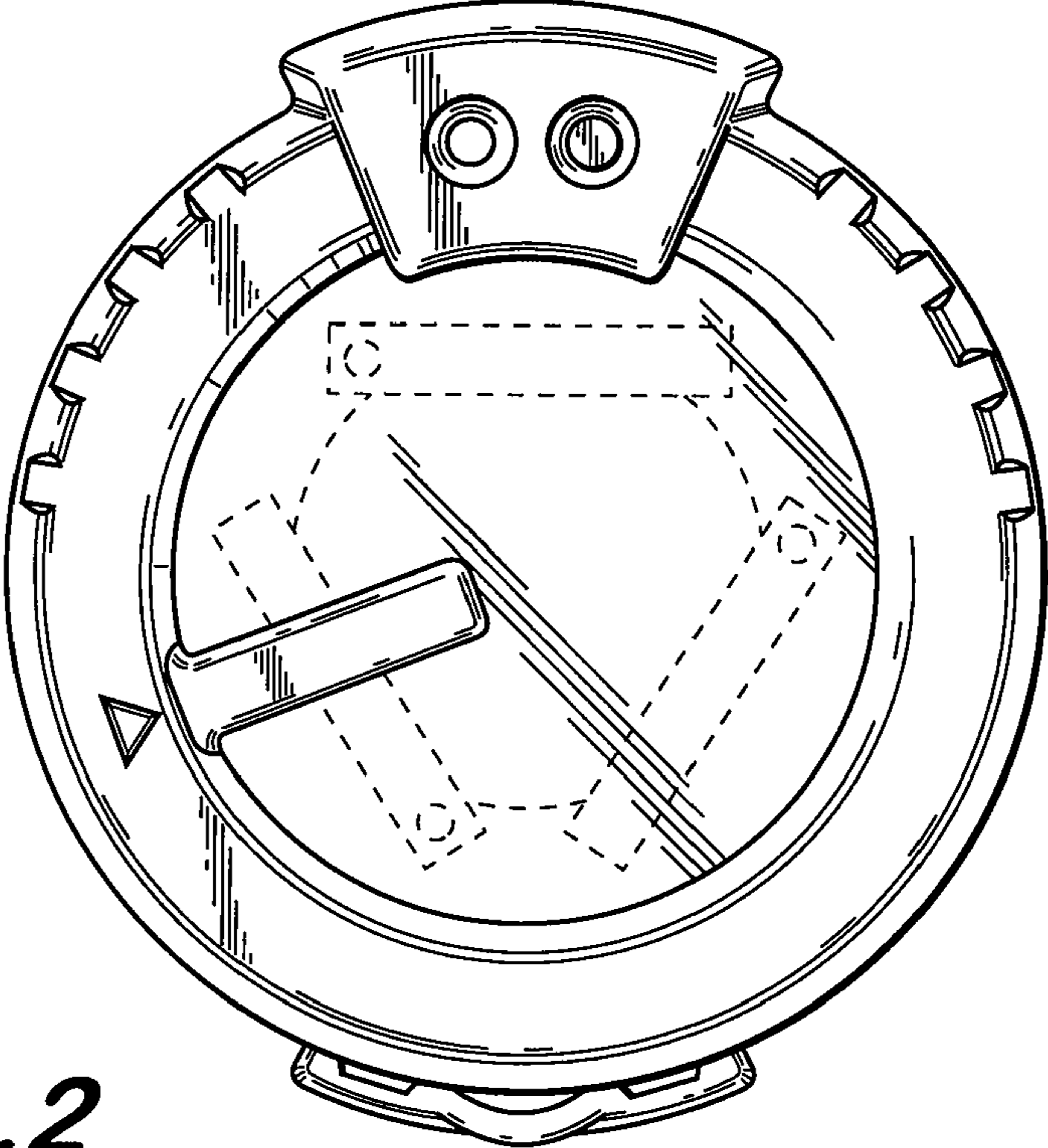
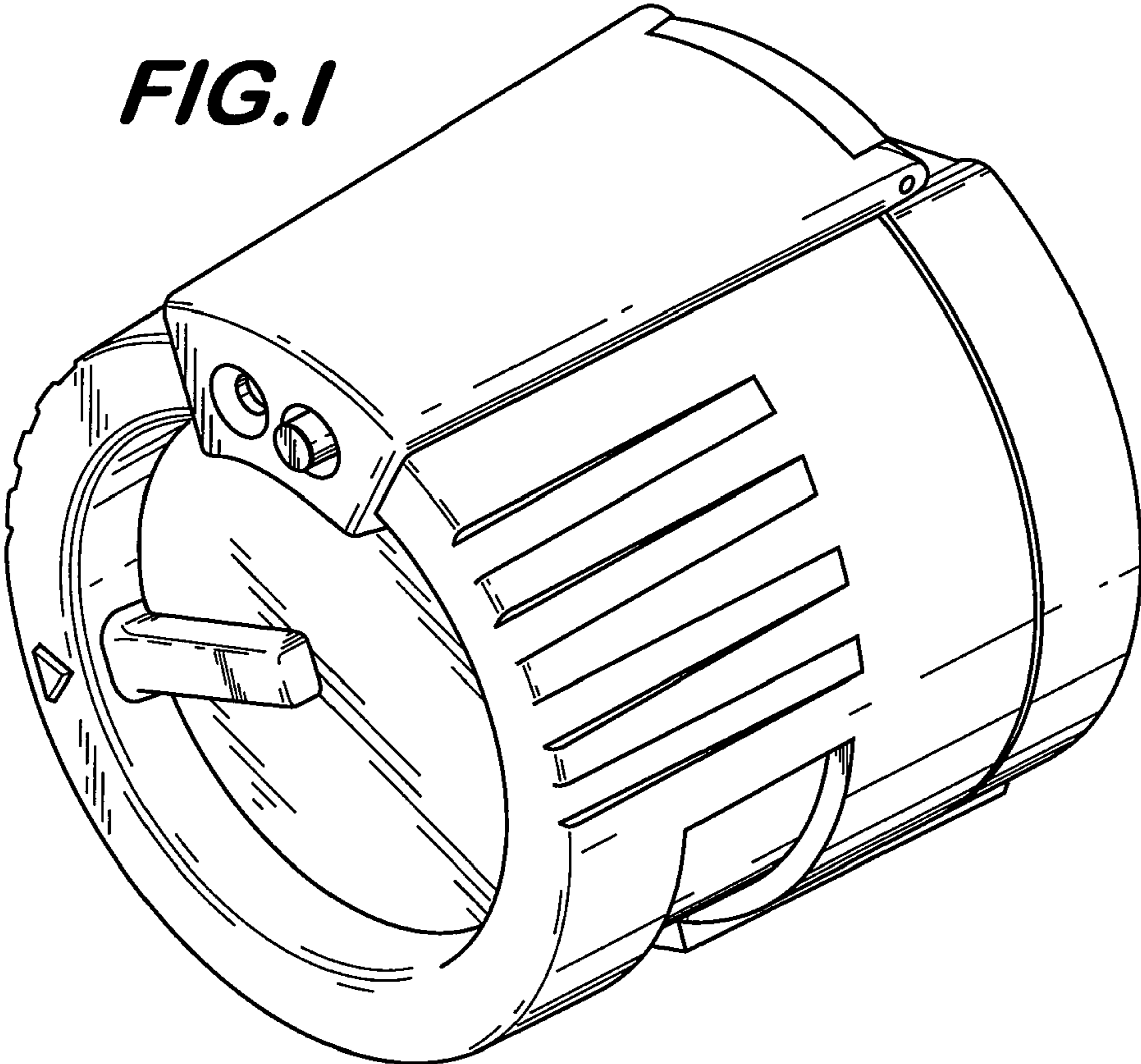
FIG. 8 is a front view of the design for a gauge housing shown in FIG. 1 illustrating an exemplary gauge within the housing design.

The broken lines shown in FIGS. 2 and 8 are in no way intended to form part of the claimed design and are for illustrative purposes only.

**1 Claim, 4 Drawing Sheets**

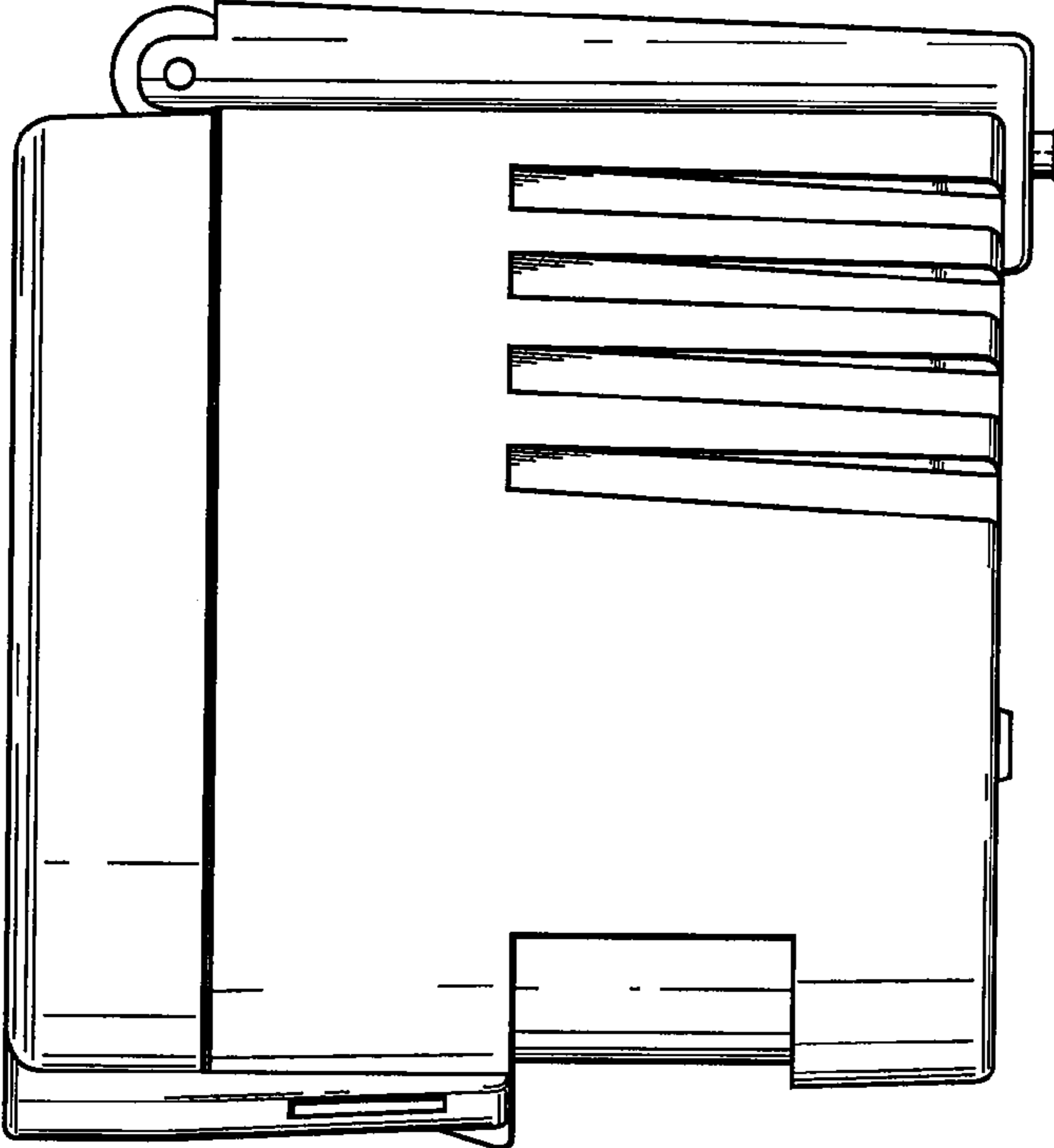


**FIG. 1**

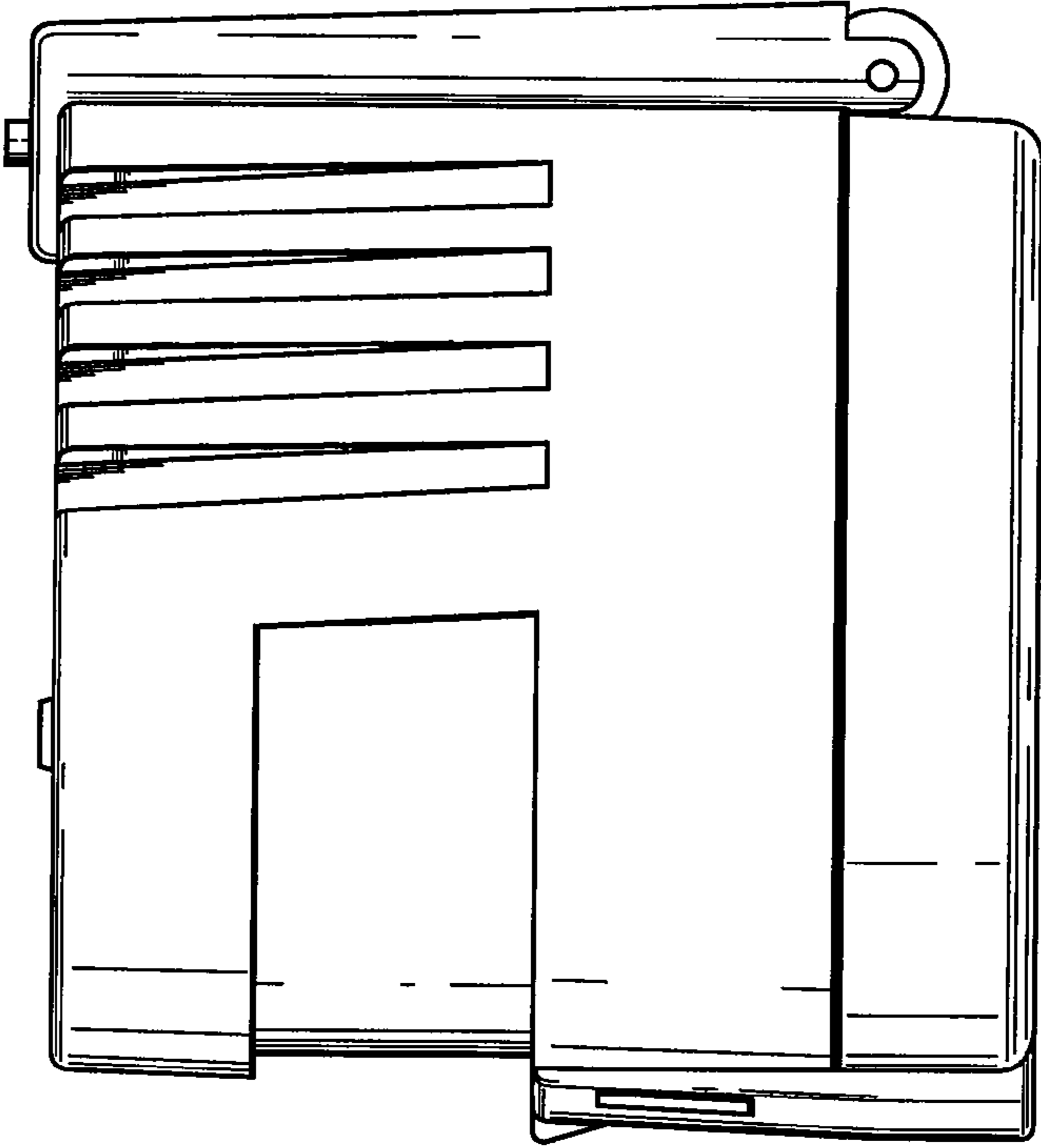


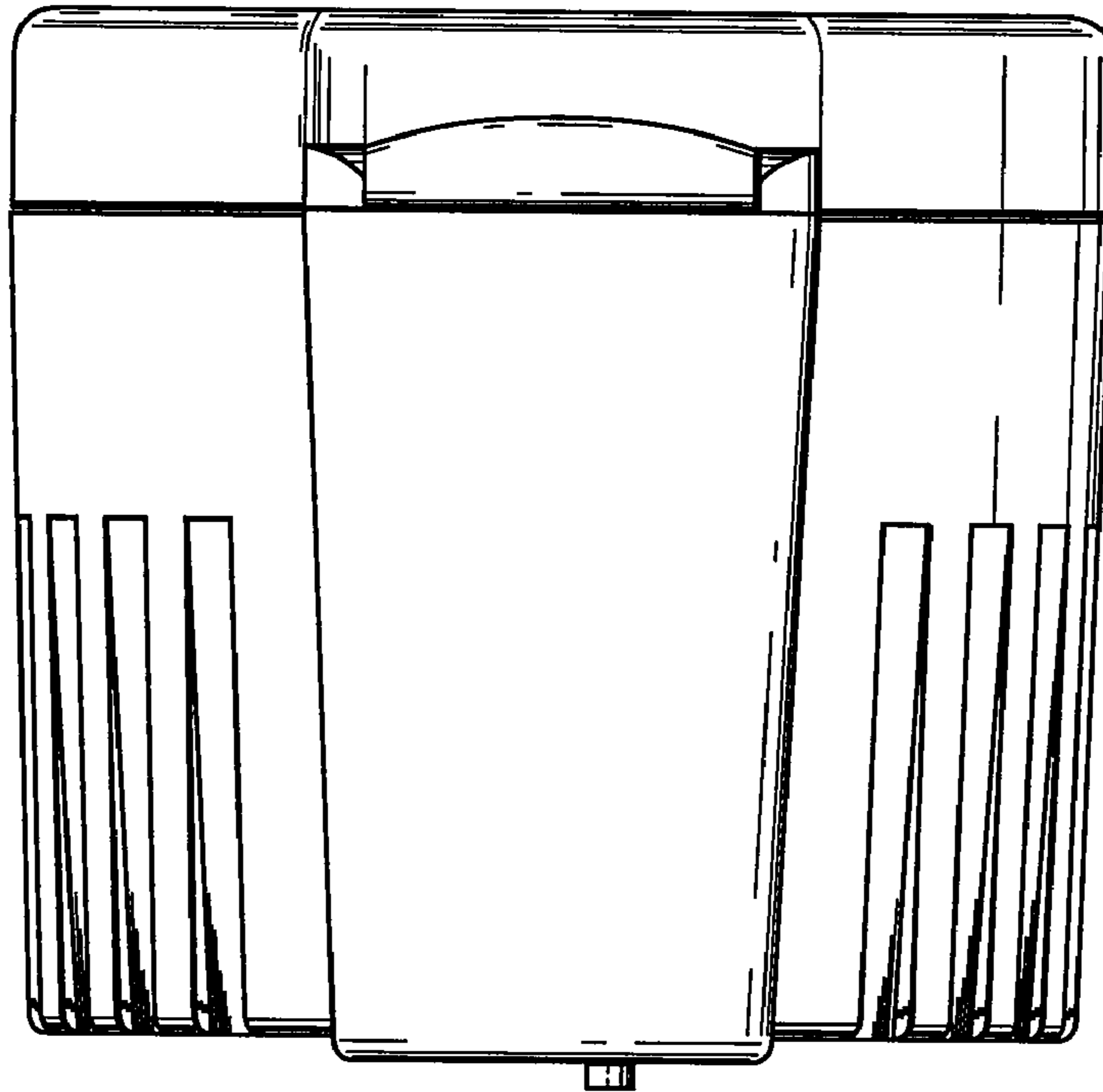
**FIG. 2**

**FIG. 3**

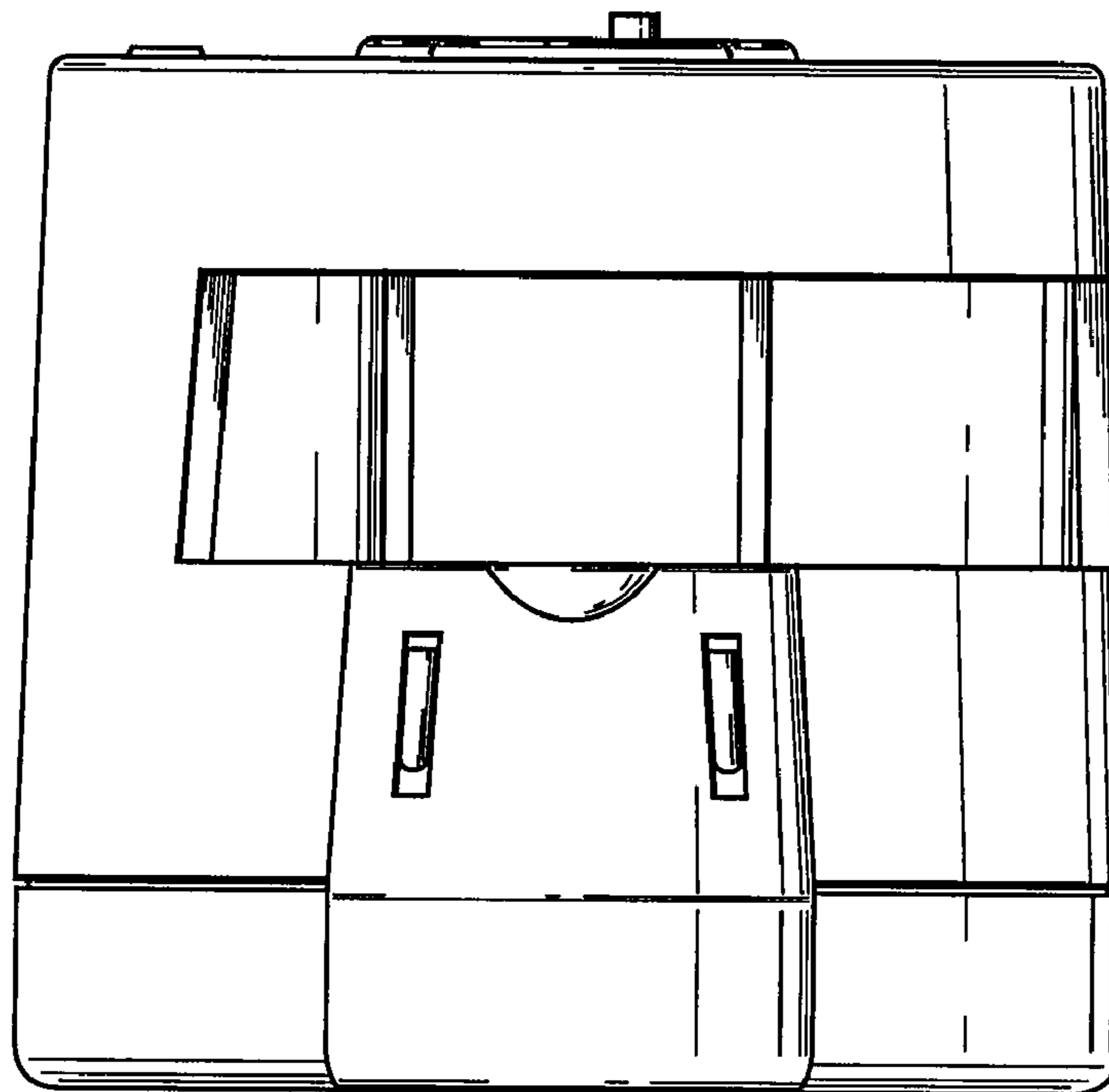


**FIG. 4**



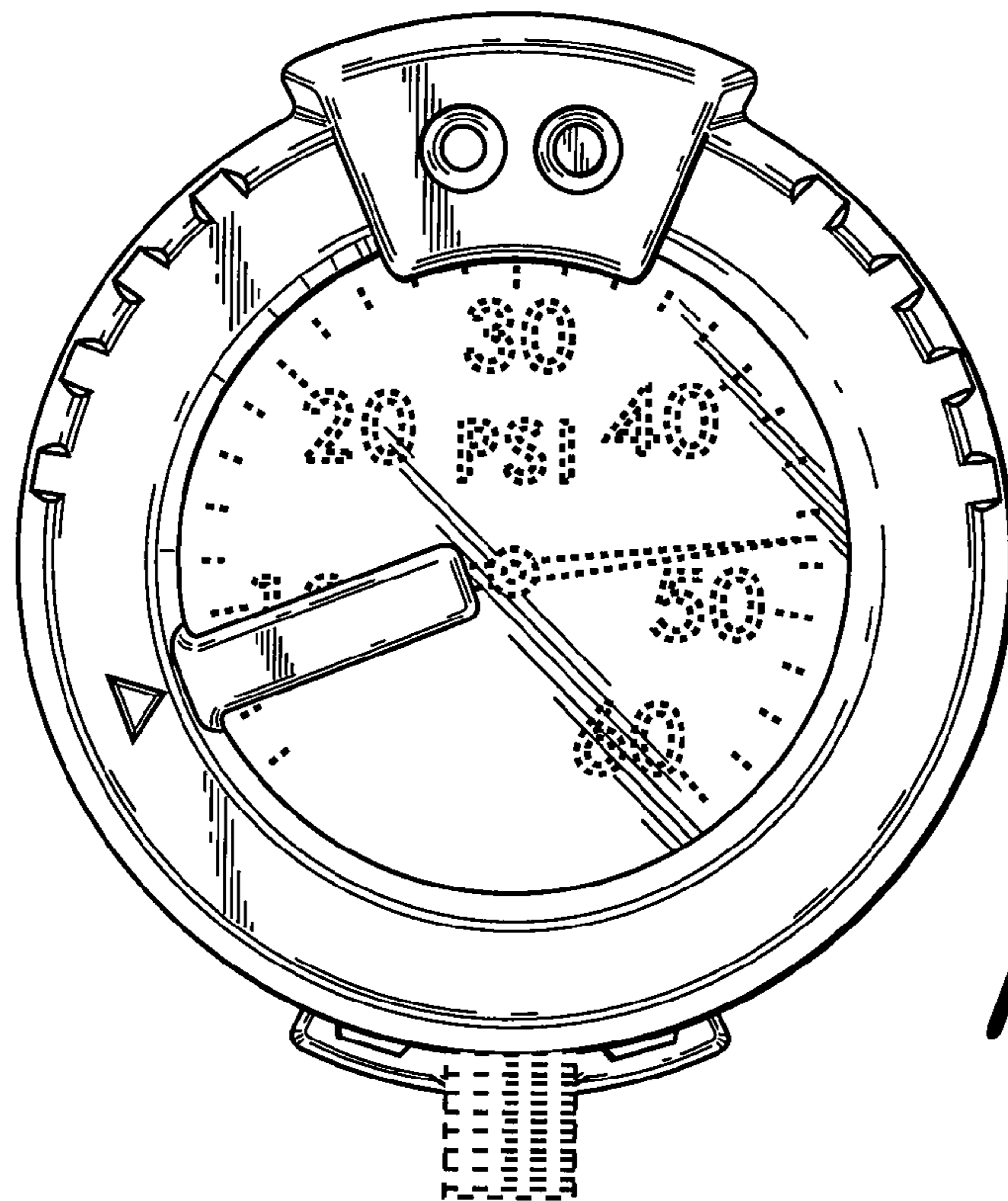
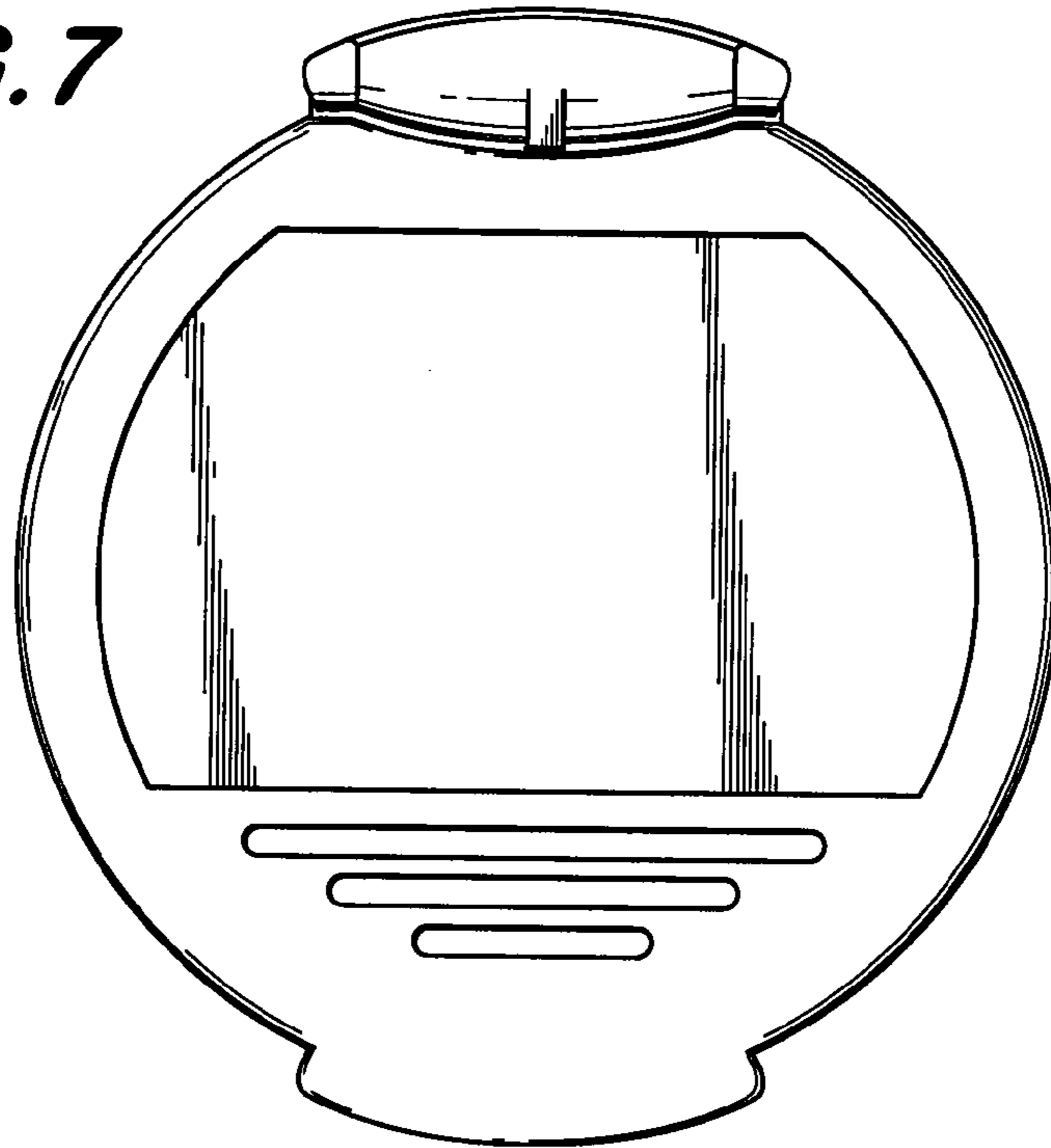


**FIG. 5**



**FIG. 6**

**FIG. 7**



**FIG. 8**