



US00D576896S

(12) **United States Design Patent**
Radle et al.

(10) **Patent No.:** **US D576,896 S**

(45) **Date of Patent:** **** Sep. 16, 2008**

(54) **DETECTOR MODULE**

D514,963 S * 2/2006 Shionoiri et al. D10/78
7,030,599 B2 * 4/2006 Douglas 324/72.5

(75) Inventors: **Patrick J. Radle**, Mequon, WI (US);
Christopher L. Peterson, Chippewa Falls, WI (US); **Anthony W. Gilbert**, Waukesha, WI (US); **Micah L. Maraia**, Menomonie, WI (US); **Daryl C. Brockman**, Shorewood, WI (US); **Austin R. Braganza**, Milwaukee, WI (US); **David L. Wiesemann**, Pewaukee, WI (US); **Michael David Onachilla**, Menomonee Falls, WI (US)

* cited by examiner

Primary Examiner—Antoine D Davis
(74) *Attorney, Agent, or Firm*—Quarles & Brady LLP

(73) Assignee: **Actuant Corporation**, Butler, WI (US)

(57) **CLAIM**

The ornamental design for a detector module, as shown and described.

(**) Term: **14 Years**

DESCRIPTION

(21) Appl. No.: **29/282,465**

FIG. 1 is a perspective view of a detector module showing our new design;

(22) Filed: **Jul. 20, 2007**

FIG. 2 is a left side elevational view thereof, the right side being a mirror image thereof;

(51) **LOC (8) Cl.** **10-04**

(52) **U.S. Cl.** **D10/78**

(58) **Field of Classification Search** D10/46,
D10/78; 324/72.5, 133, 156
See application file for complete search history.

FIG. 3 is a top side elevational view thereof;

FIG. 4 is a rear end elevational view thereof;

FIG. 5 is a front end elevational view thereof; and,

FIG. 6 is a bottom side elevational view thereof.

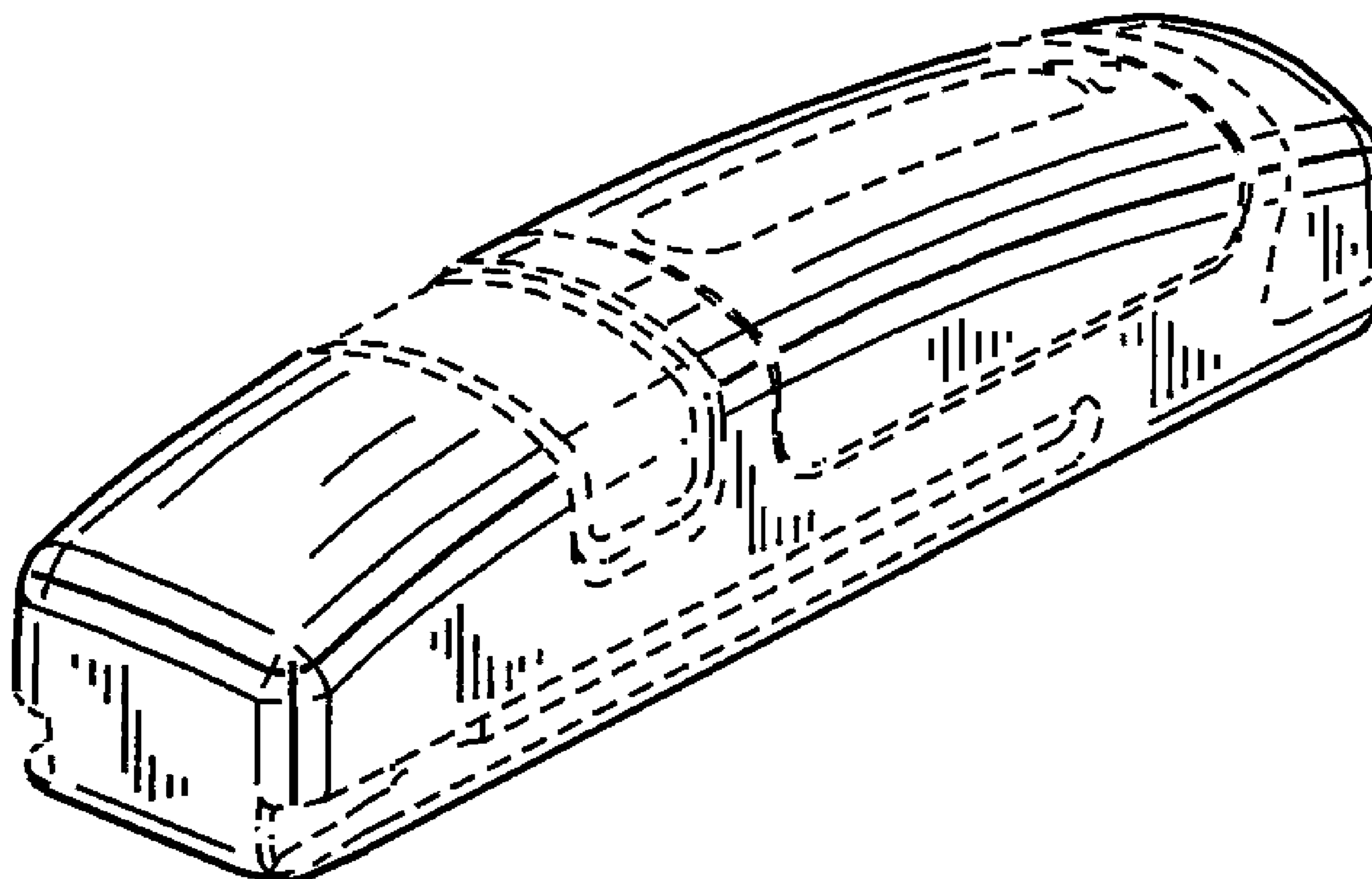
(56) **References Cited**

U.S. PATENT DOCUMENTS

D271,668 S * 12/1983 Tanaka D10/78
D445,350 S * 7/2001 Bystrom et al. D10/78

The broken line representations of portions of the detector module in FIGS. 1–6 do not limit the claimed design.

1 Claim, 2 Drawing Sheets



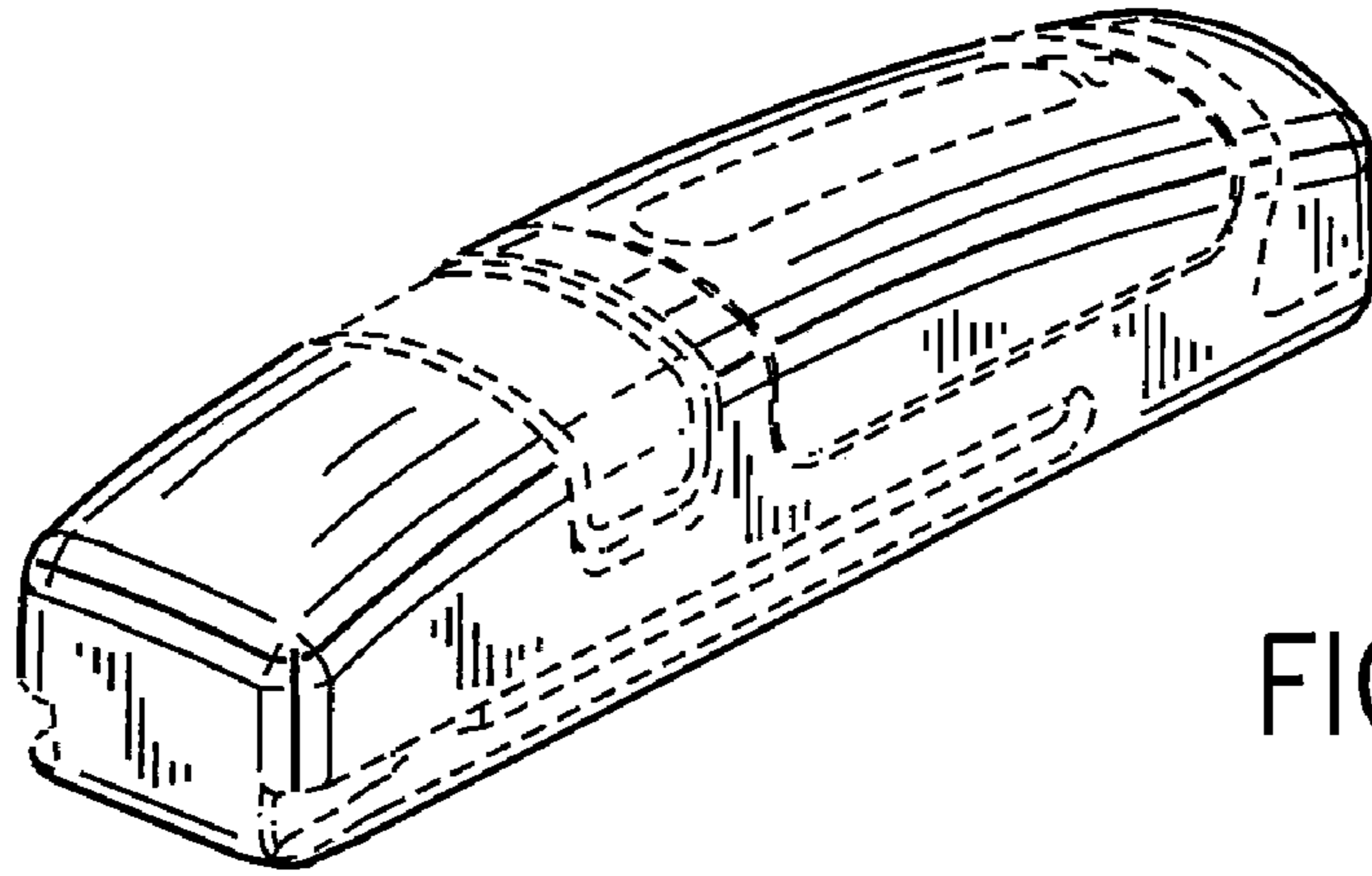


FIG. 1

FIG. 2

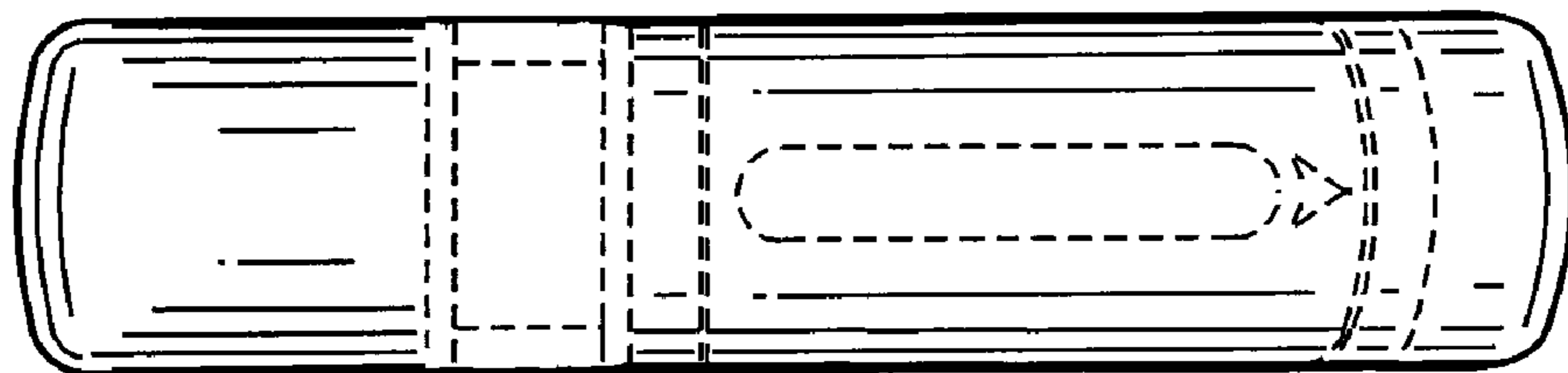
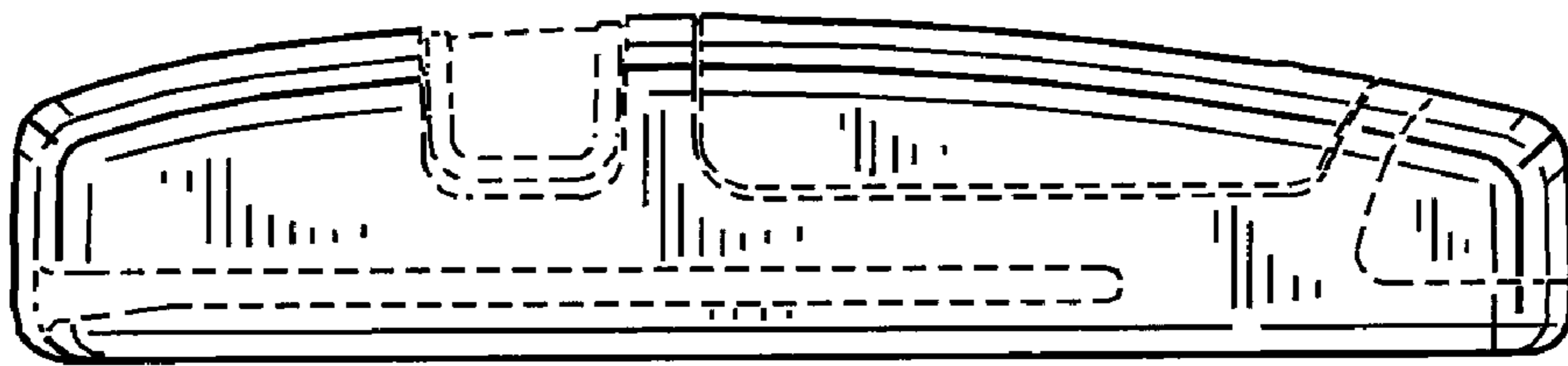


FIG. 3

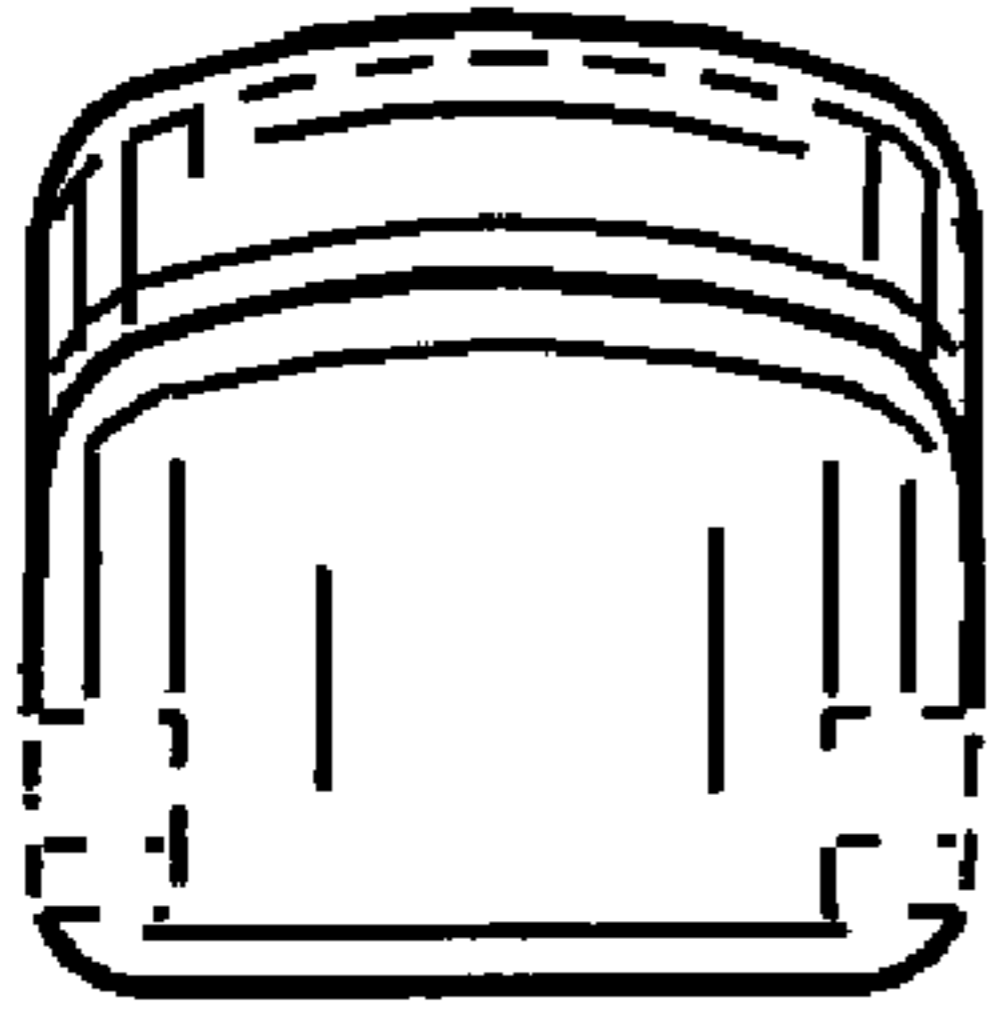


FIG. 4

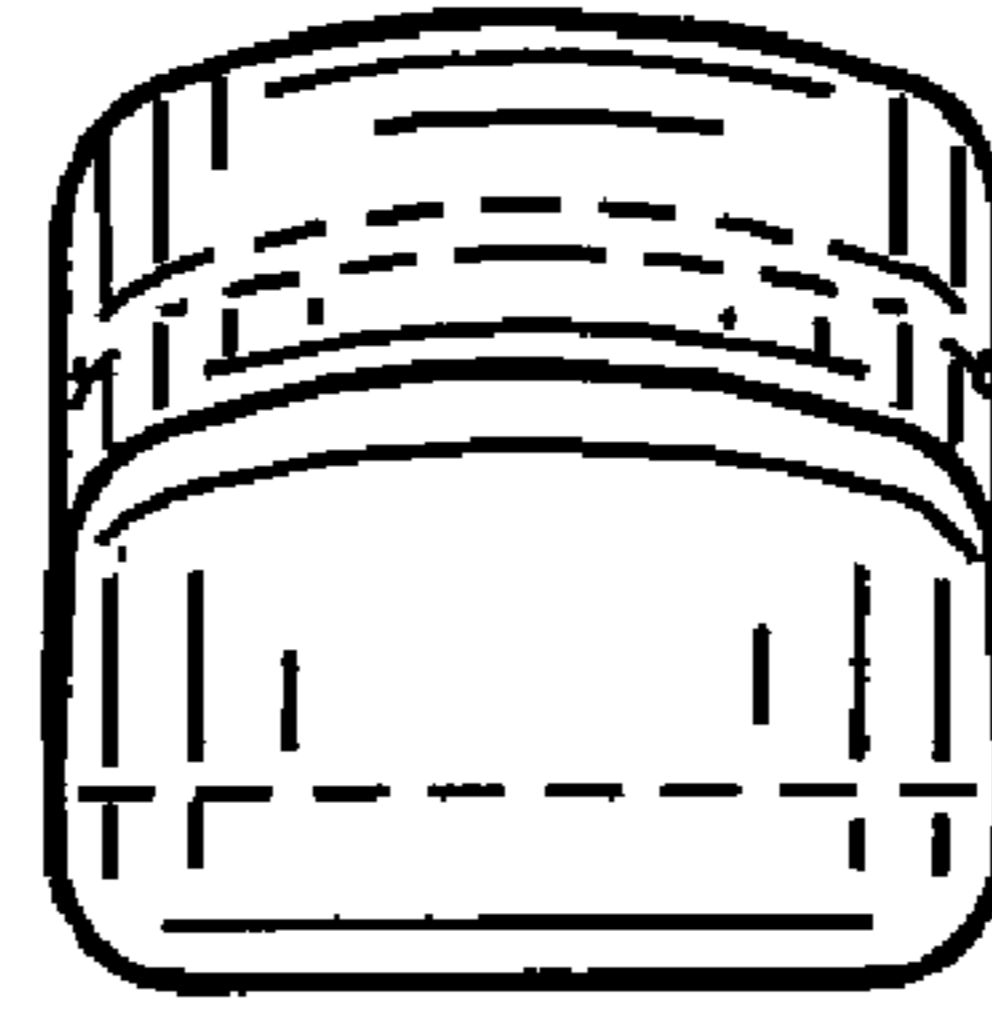


FIG. 5

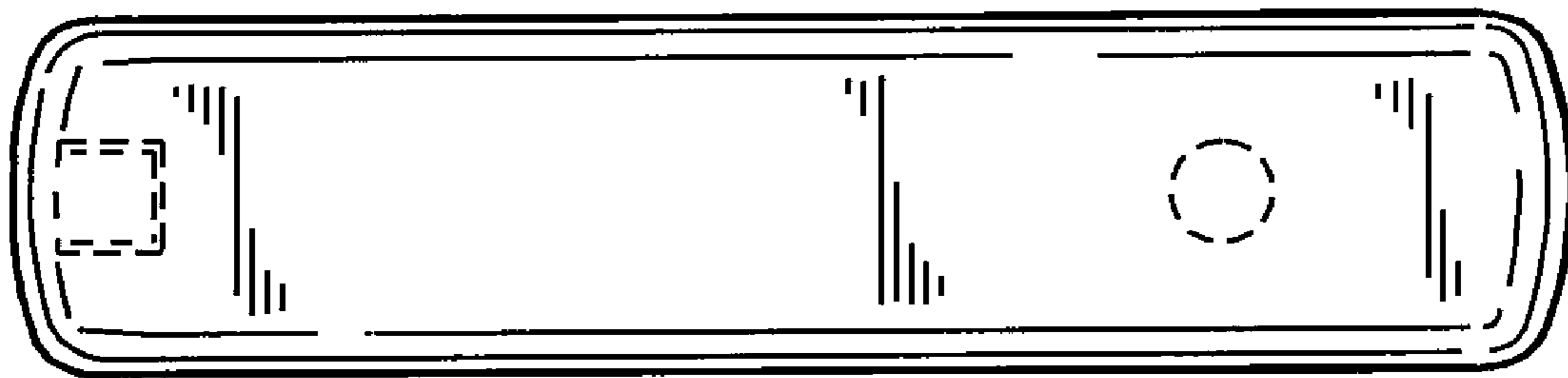


FIG. 6