

US00D576892S

(12) **United States Design Patent**  
**Gruosi**

(10) **Patent No.:** **US D576,892 S**  
(45) **Date of Patent:** **\*\* Sep. 16, 2008**

- (54) **WATCH CASE**
- (75) Inventor: **Fawaz Gruosi**, Prangins (CH)
- (73) Assignee: **De Grisogono S.A.**, Plan-Les-Ouates (CH)
- (\*\*) Term: **14 Years**
- (21) Appl. No.: **29/265,680**
- (22) Filed: **Sep. 7, 2006**
- (30) **Foreign Application Priority Data**  
Mar. 29, 2006 (CH) ..... 132743
- (51) **LOC (8) Cl.** ..... **10-02**
- (52) **U.S. Cl.** ..... **D10/38**
- (58) **Field of Classification Search** ..... D10/30-39,  
D10/122-132; 368/276, 281, 282, 285, 239-242,  
368/29, 30, 82-84, 288, 308, 319  
See application file for complete search history.

6,655,831	B1 *	12/2003	Ruffieux	.....	368/281
6,671,231	B2 *	12/2003	Gilomen	.....	368/80
D504,330	S *	4/2005	Dias	.....	D10/32
D513,195	S *	12/2005	Gruosi	.....	D10/38
D539,671	S *	4/2007	Lassigne	.....	D10/32
D542,159	S *	5/2007	Junod	.....	D10/38
D547,678	S *	7/2007	Hardy	.....	D10/38
D558,611	S *	1/2008	Wei	.....	D10/38
D561,612	S *	2/2008	Finazzi	.....	D10/38

\* cited by examiner

*Primary Examiner*—Lucy Lieberman  
(74) *Attorney, Agent, or Firm*—Young & Thompson

(57) **CLAIM**

The ornamental design for a watch case, as shown.

**DESCRIPTION**

FIG. 1 is a front perspective view of a watch case showing my new design;  
 FIG. 2 is a top plan view thereof;  
 FIG. 3 is a front elevational view thereof;  
 FIG. 4 is a side elevational view thereof from the right of FIG. 3;  
 FIG. 5 is a side elevational view thereof from the left of FIG. 3;  
 FIG. 6 is a rear elevational view thereof; and,  
 FIG. 7 is a bottom view thereof.

**1 Claim, 2 Drawing Sheets**

- (56) **References Cited**  
U.S. PATENT DOCUMENTS
- 3,603,014 A \* 9/1971 Schomburg ..... 40/107
- D351,799 S \* 10/1994 Bulgari ..... D10/39
- D375,053 S \* 10/1996 Voegeli ..... D10/30
- D384,294 S \* 9/1997 Woo et al. .... D10/30
- 6,247,841 B1 \* 6/2001 Erard ..... 368/308
- D447,427 S \* 9/2001 Finazzi ..... D10/39
- D455,661 S \* 4/2002 Nussbaum ..... D10/32
- D464,273 S \* 10/2002 Nussbaum ..... D10/30

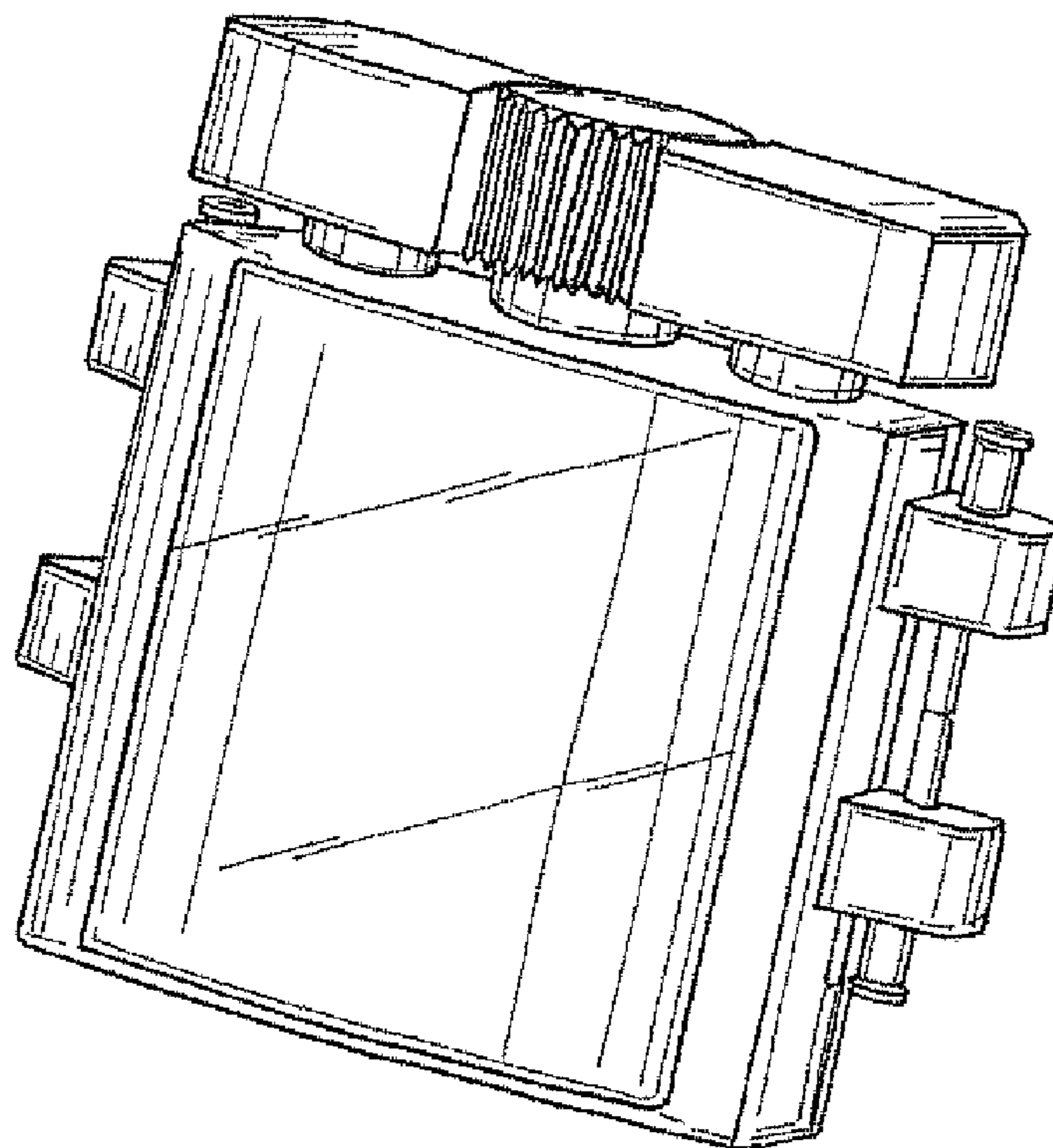


Fig. 1

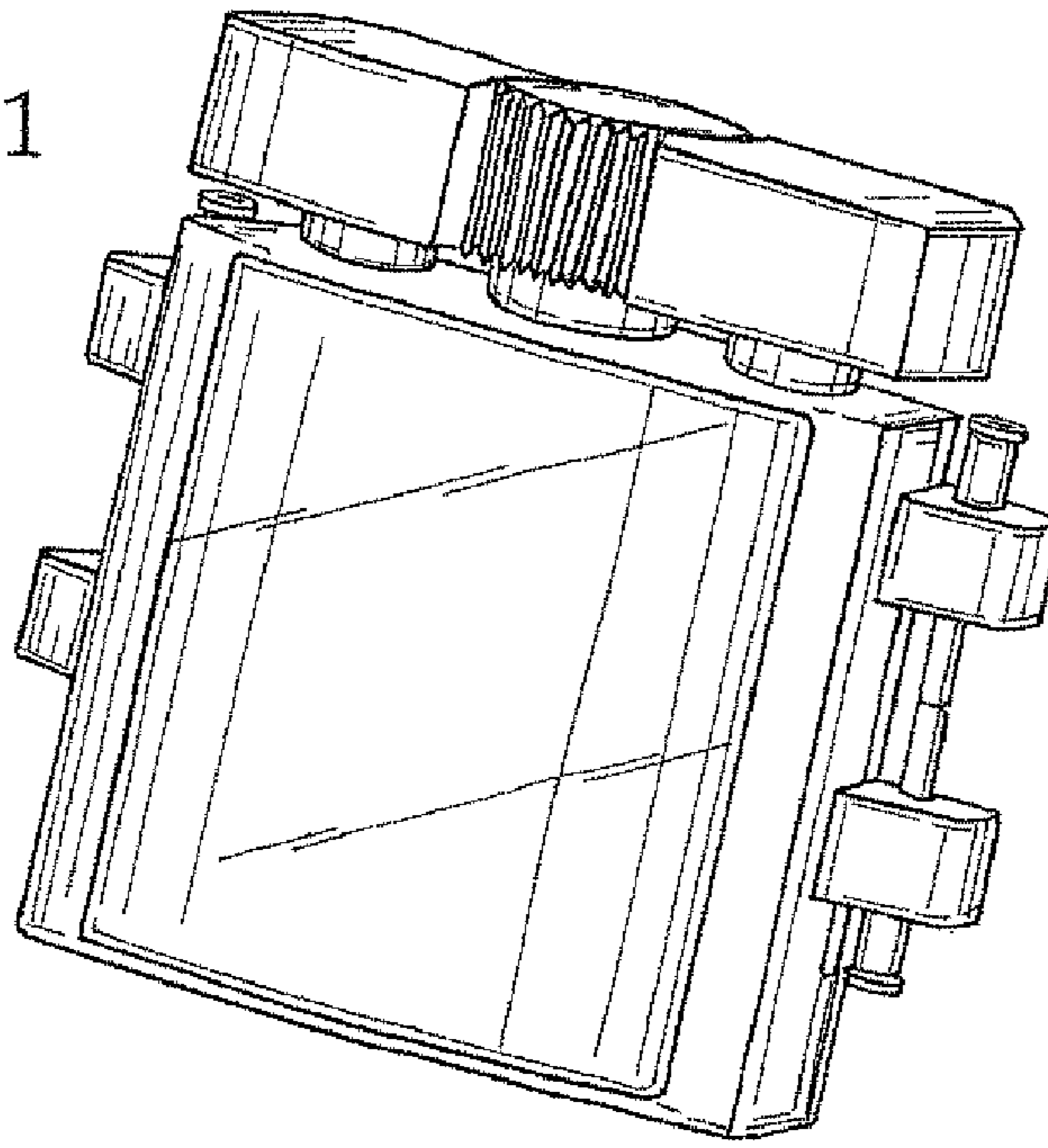


Fig. 2

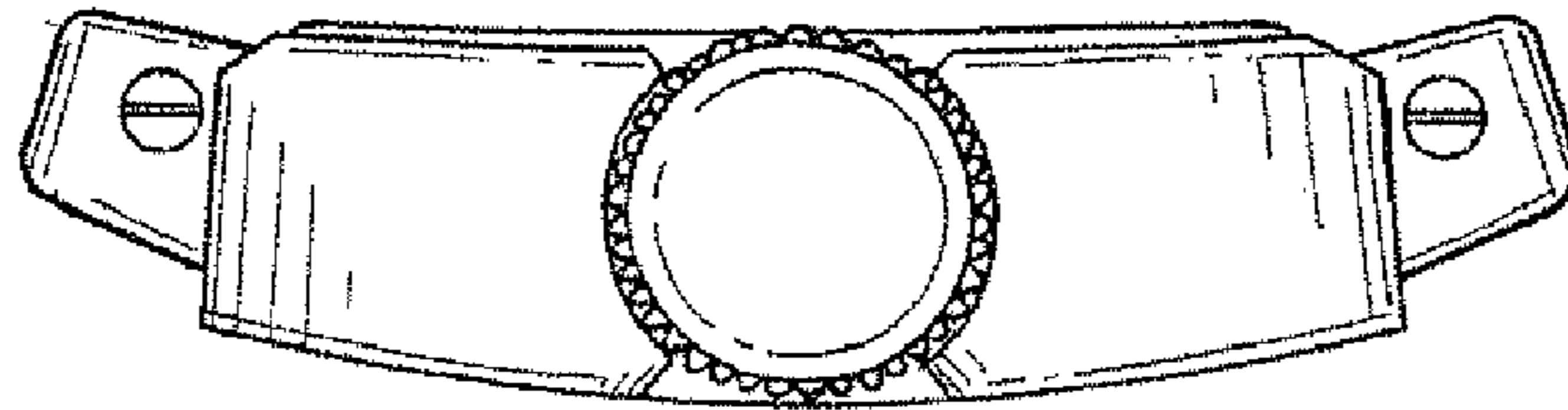


Fig. 3

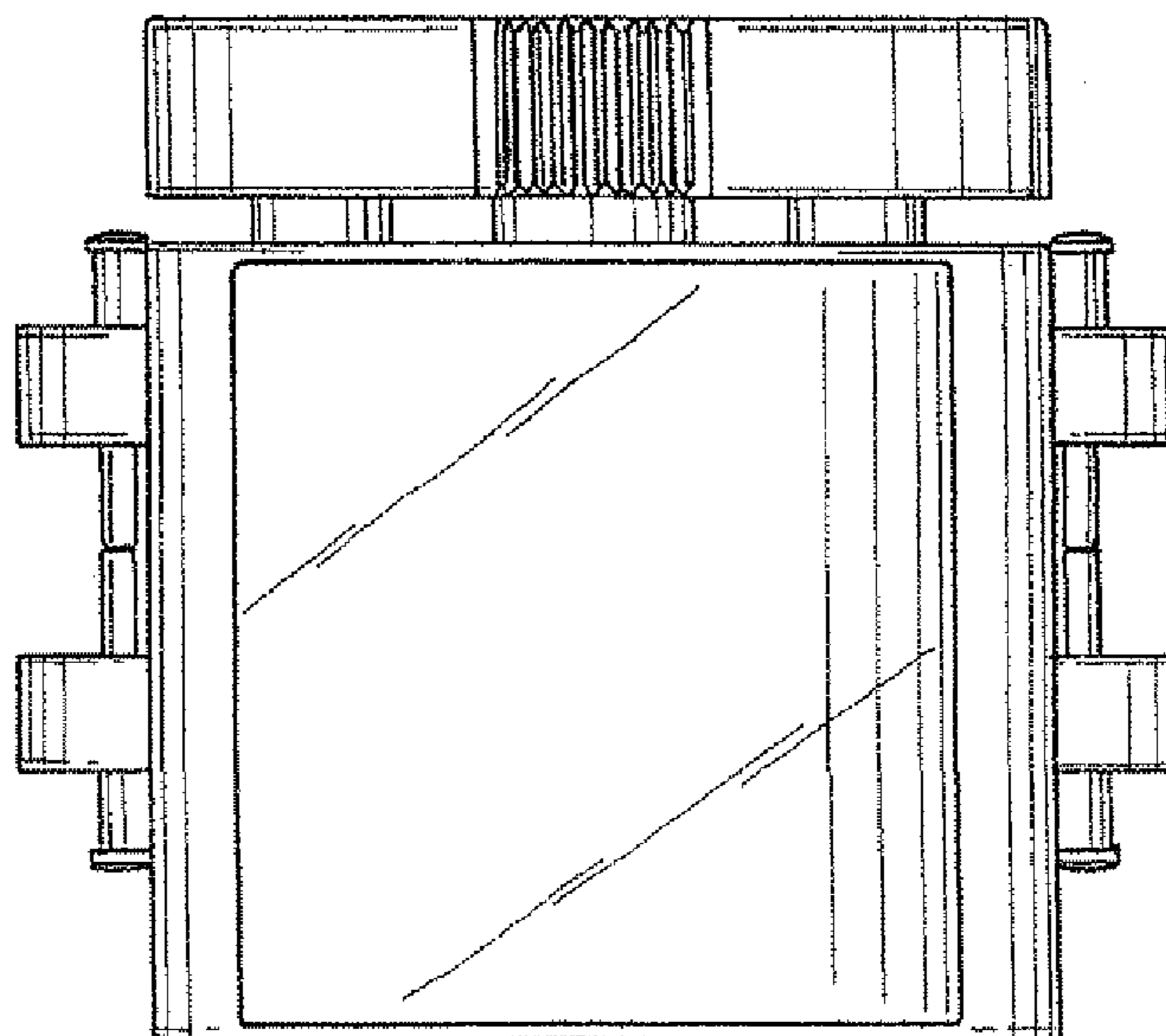


Fig. 5

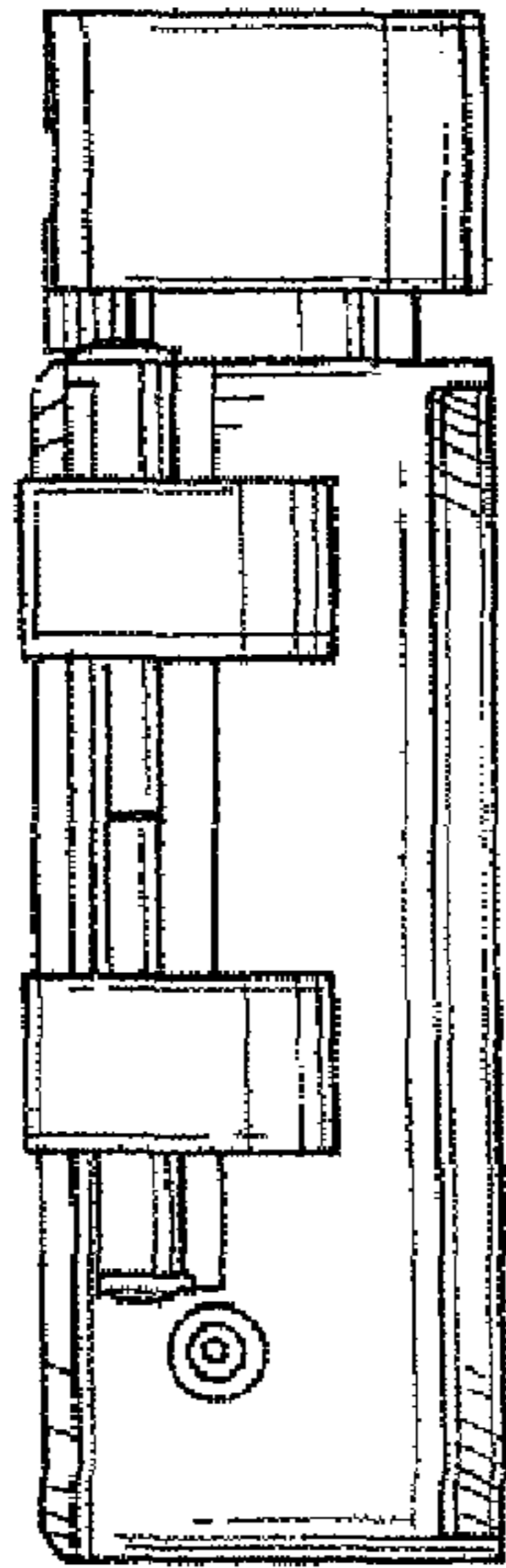


Fig. 4

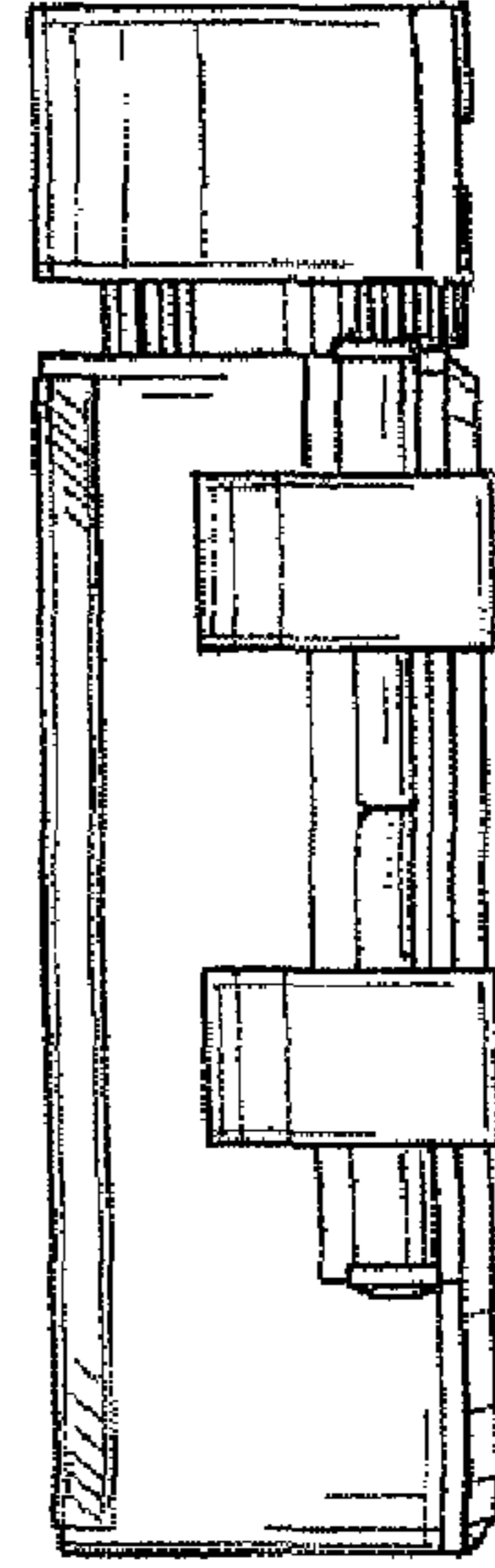


Fig. 6

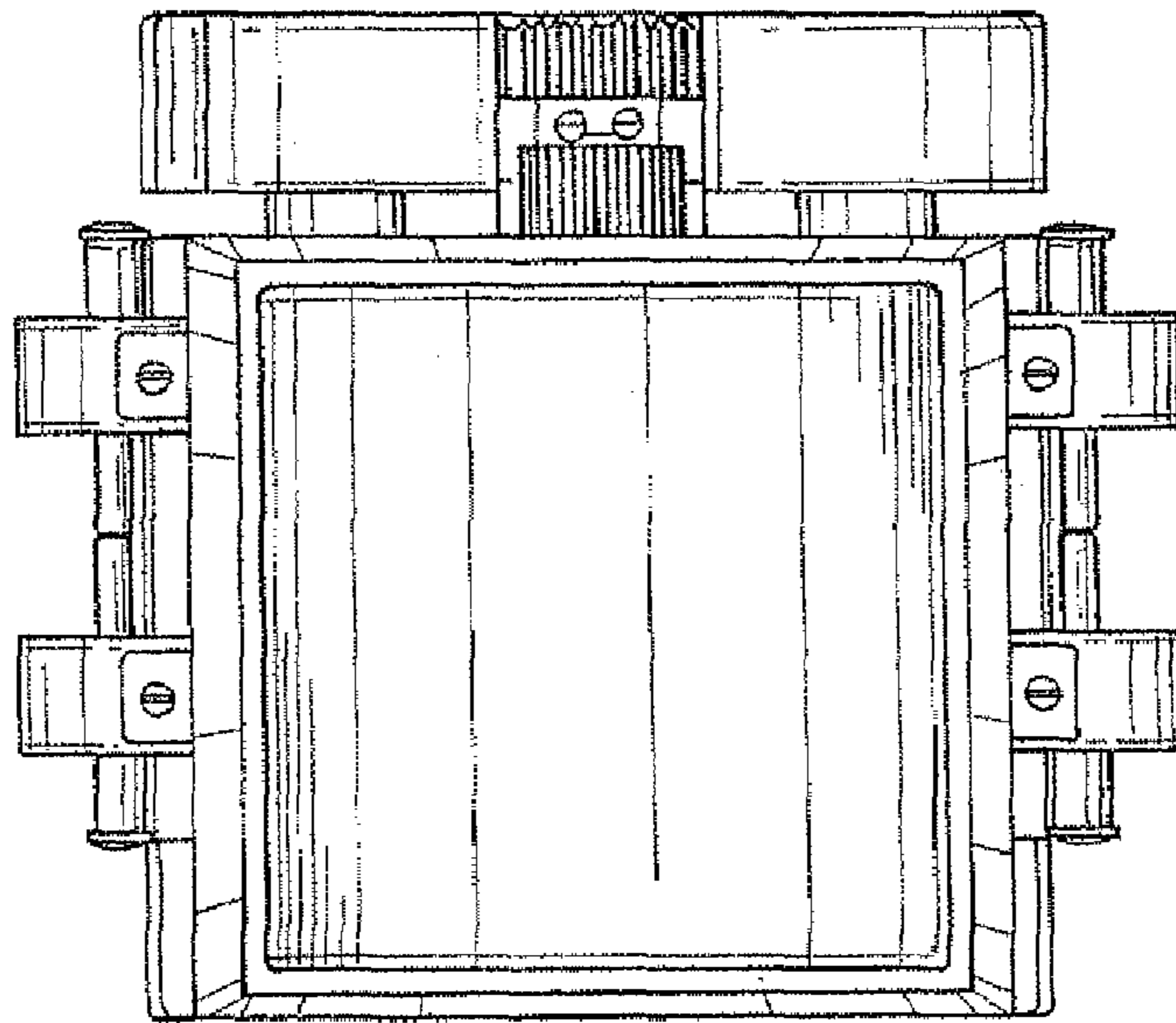


Fig. 7

