



US00D576888S

(12) **United States Design Patent**
Helfman

(10) **Patent No.:** **US D576,888 S**

(45) **Date of Patent:** **** Sep. 16, 2008**

(54) **RETAIL PACKAGE FOR JEWELRY**

D537,357 S * 2/2007 Holt D9/631
D551,565 S * 9/2007 Wouters et al. D9/704

(76) Inventor: **Janis Helfman**, 1816 Sky Line Dr.,
Fullerton, CA (US) 92831

* cited by examiner

(**) Term: **14 Years**

Primary Examiner—Sandra Morris

(74) *Attorney, Agent, or Firm*—Edgar W. Averill, Jr.; Kenneth
L. Green

(21) Appl. No.: **29/285,709**

(22) Filed: **Apr. 4, 2007**

(57) **CLAIM**

(51) **LOC (8) Cl.** **09-01**

The ornamental design for a retail package for jewelry, as
shown and described.

(52) **U.S. Cl.** **D9/631; D9/704; D9/601**

(58) **Field of Classification Search** D9/600,
D9/601, 607, 611, 631, 704, 414, 415, 418;
206/457, 822; 215/400; 220/890; D3/270–271.2,
D3/235, 243, 246; D7/514–515, 619.2, 628
See application file for complete search history.

DESCRIPTION

FIG. 1 is a perspective view showing the front and right side
of the retail package for jewelry showing my new design.

FIG. 2 is a top view thereof.

FIG. 3 is a front view thereof.

FIG. 4 is a right side view thereof.

FIG. 5 is a left side view thereof.

FIG. 6 is a back view thereof.

FIG. 7 is a bottom view thereof; and,

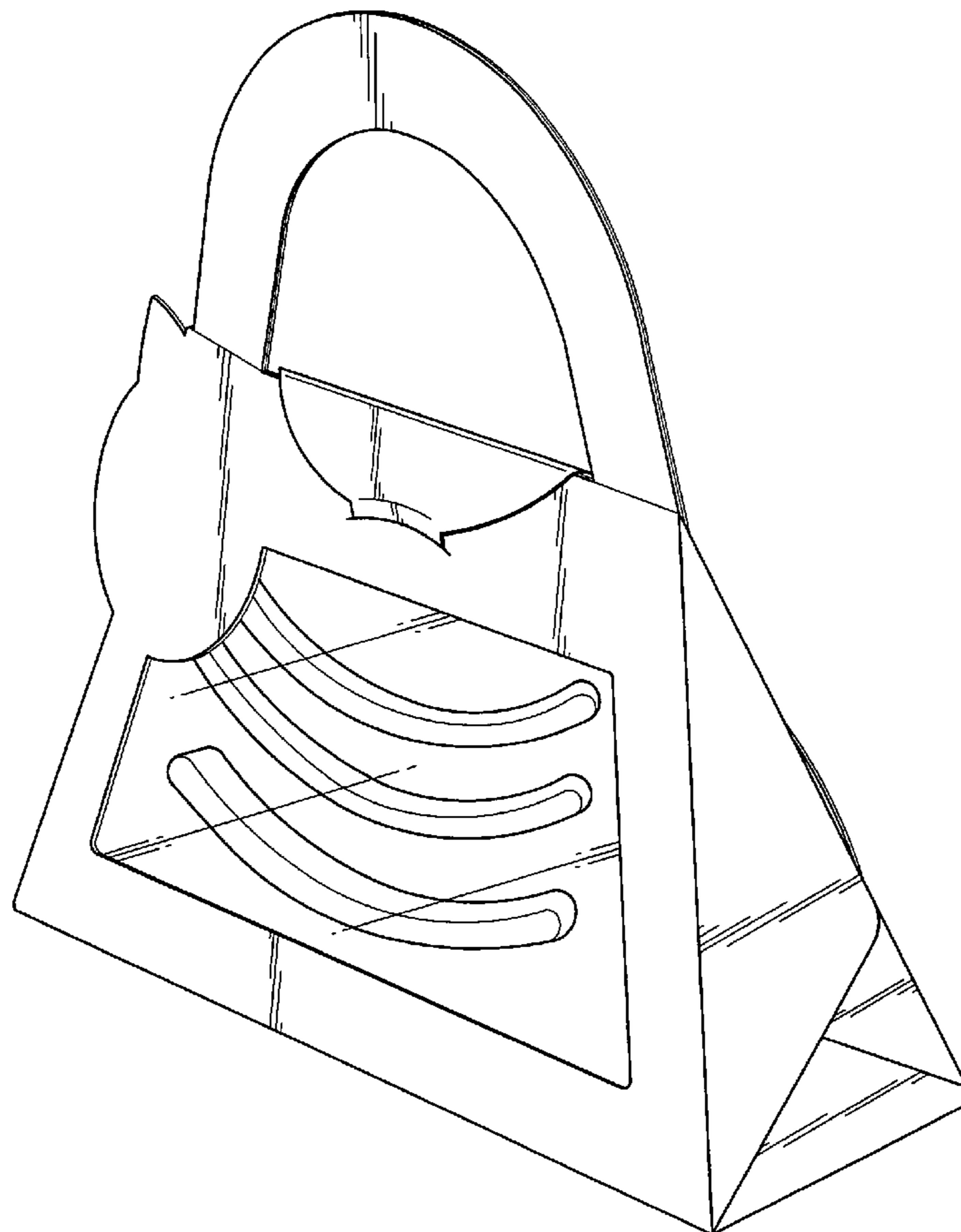
FIG. 8 is a perspective showing the back and left side thereof.

(56) **References Cited**

U.S. PATENT DOCUMENTS

D148,474 S *	1/1948	Kuhlman	D3/246
D162,008 S *	2/1951	Chase	D3/235
D350,689 S *	9/1994	Chao	D9/704
D446,642 S *	8/2001	Dix	D3/243
D464,878 S *	10/2002	Thompson	D9/418
D469,687 S *	2/2003	Larian	D9/415
D517,420 S *	3/2006	Scheider	D9/631

1 Claim, 4 Drawing Sheets



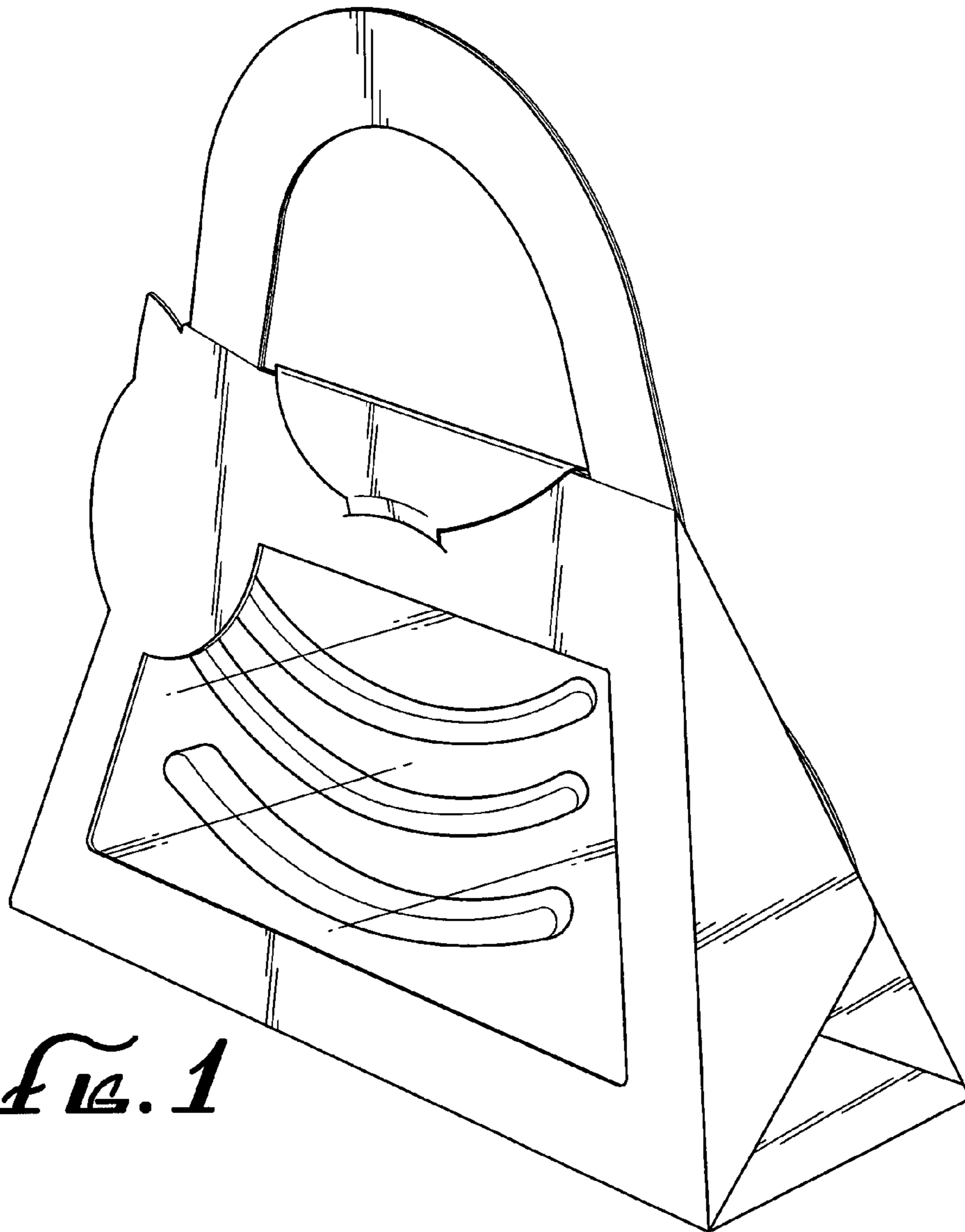


Fig. 1

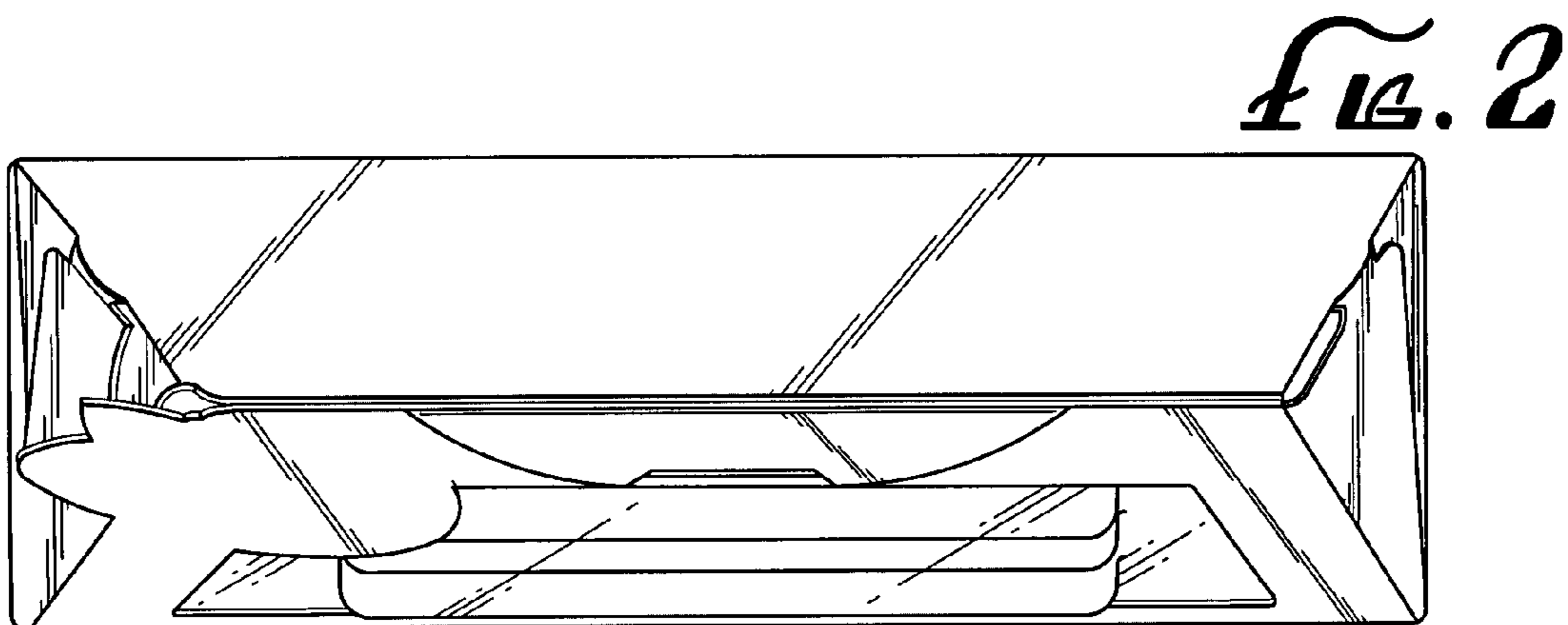


Fig. 2

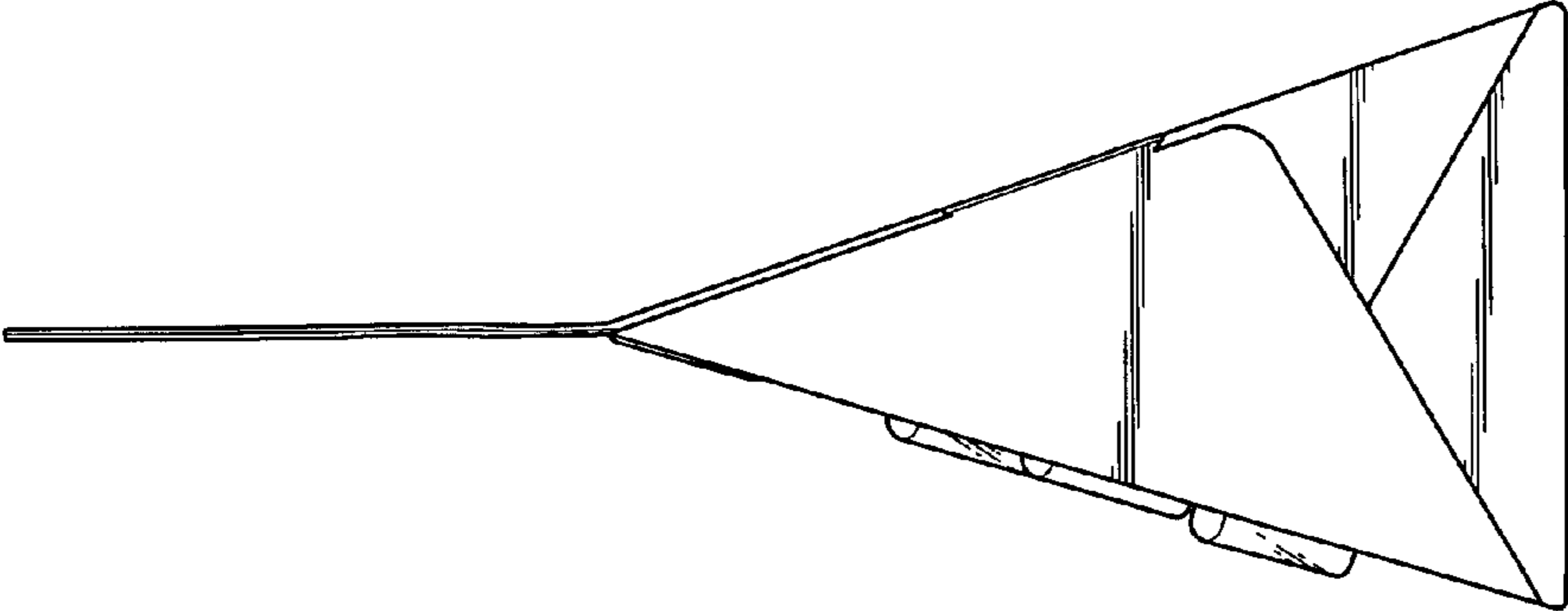


FIG. 5

FIG. 3

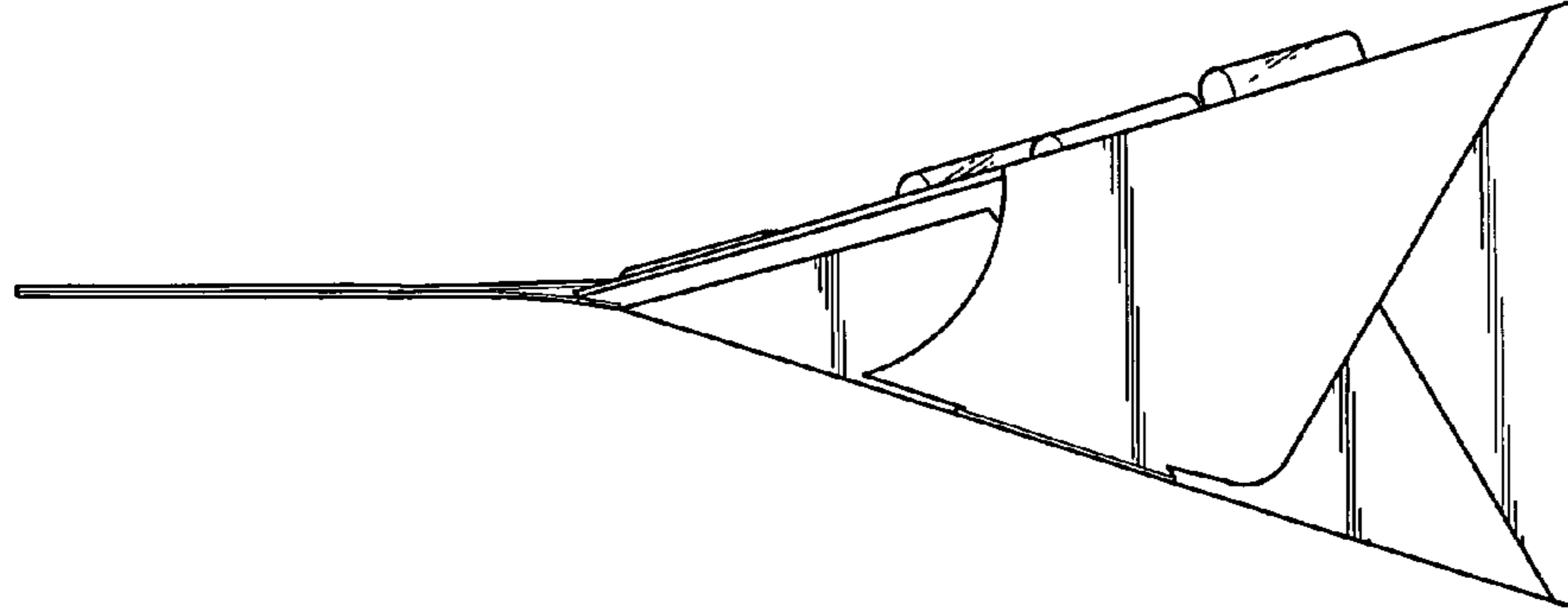
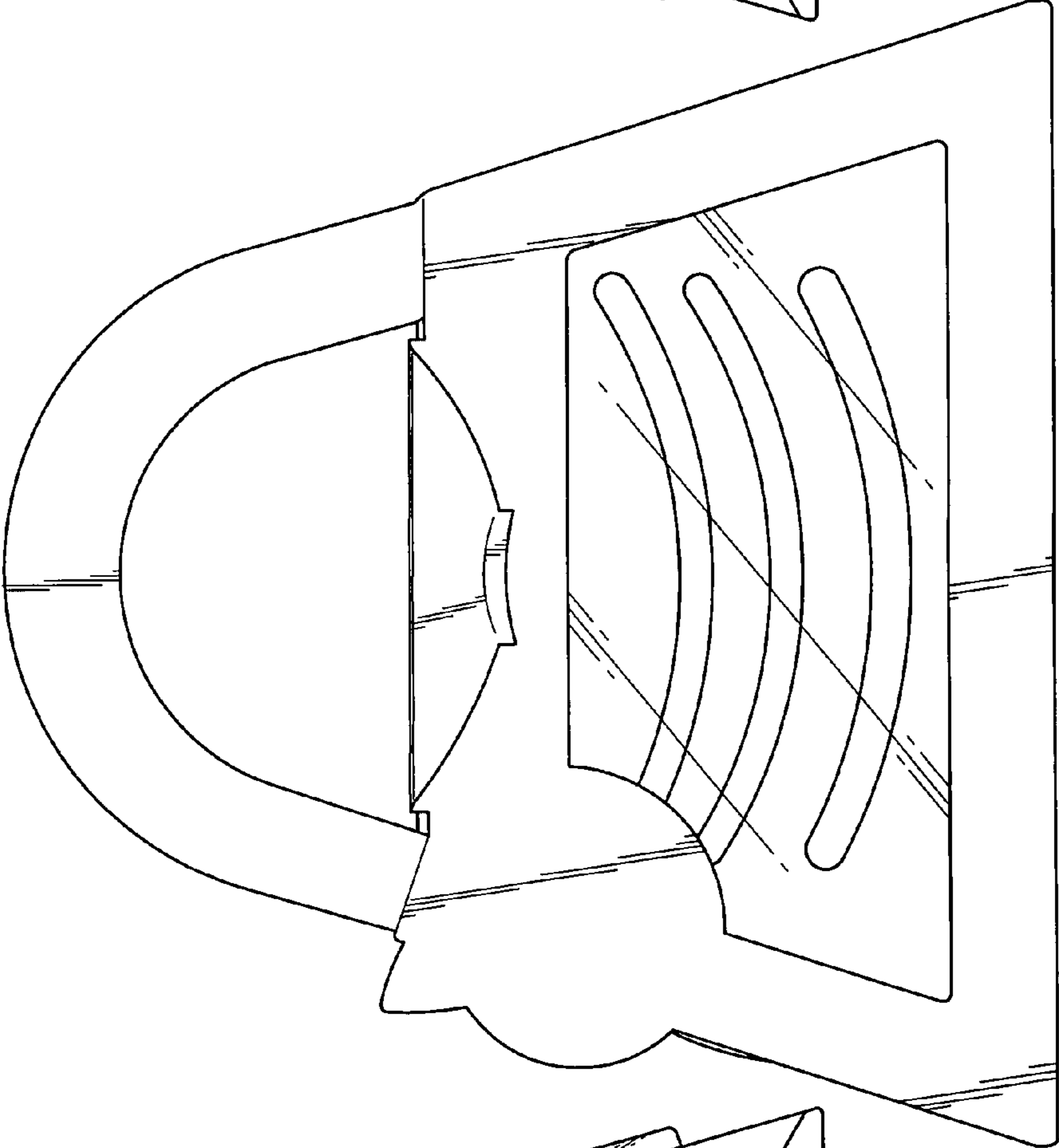


FIG. 4

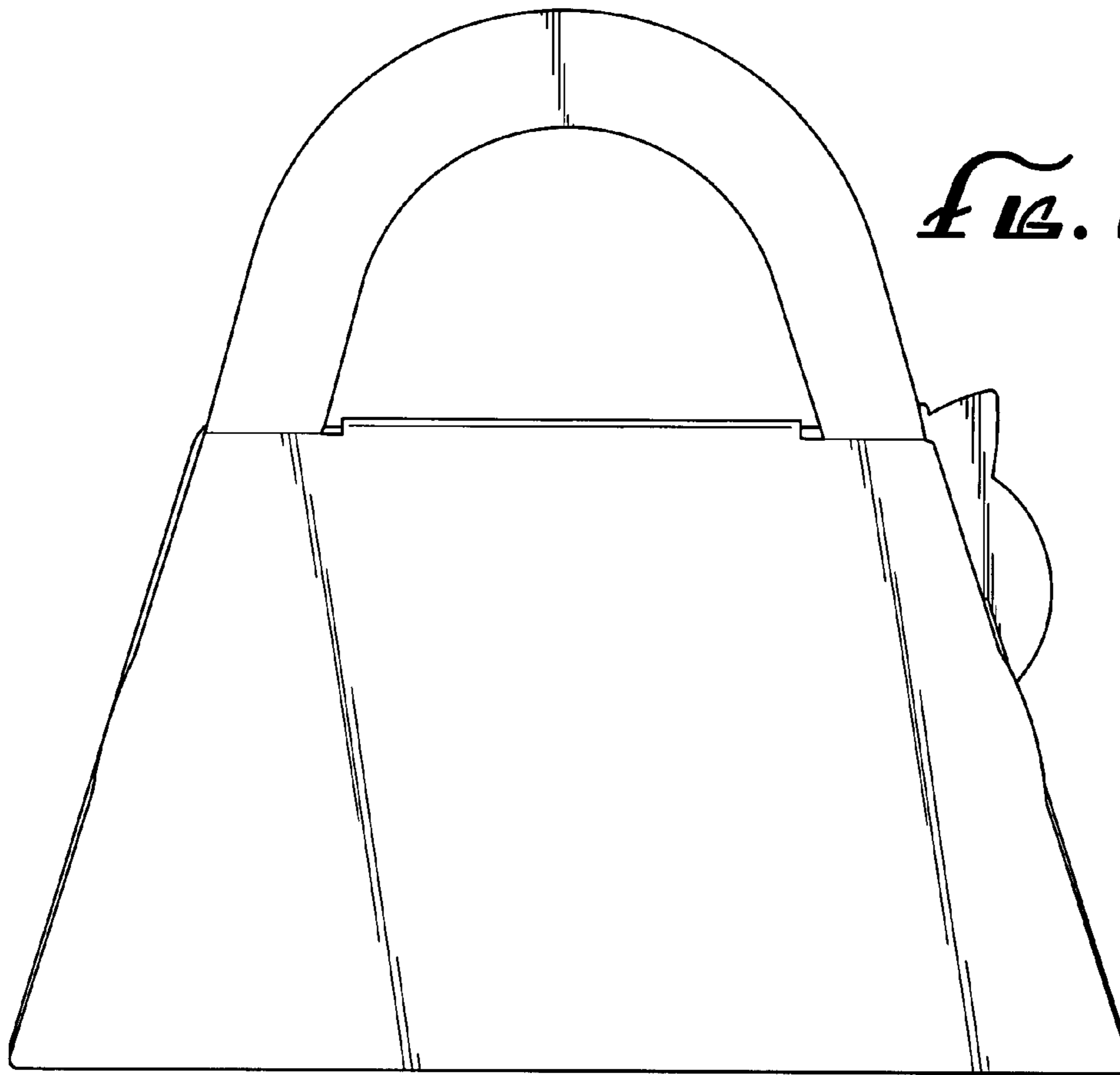


Fig. 6

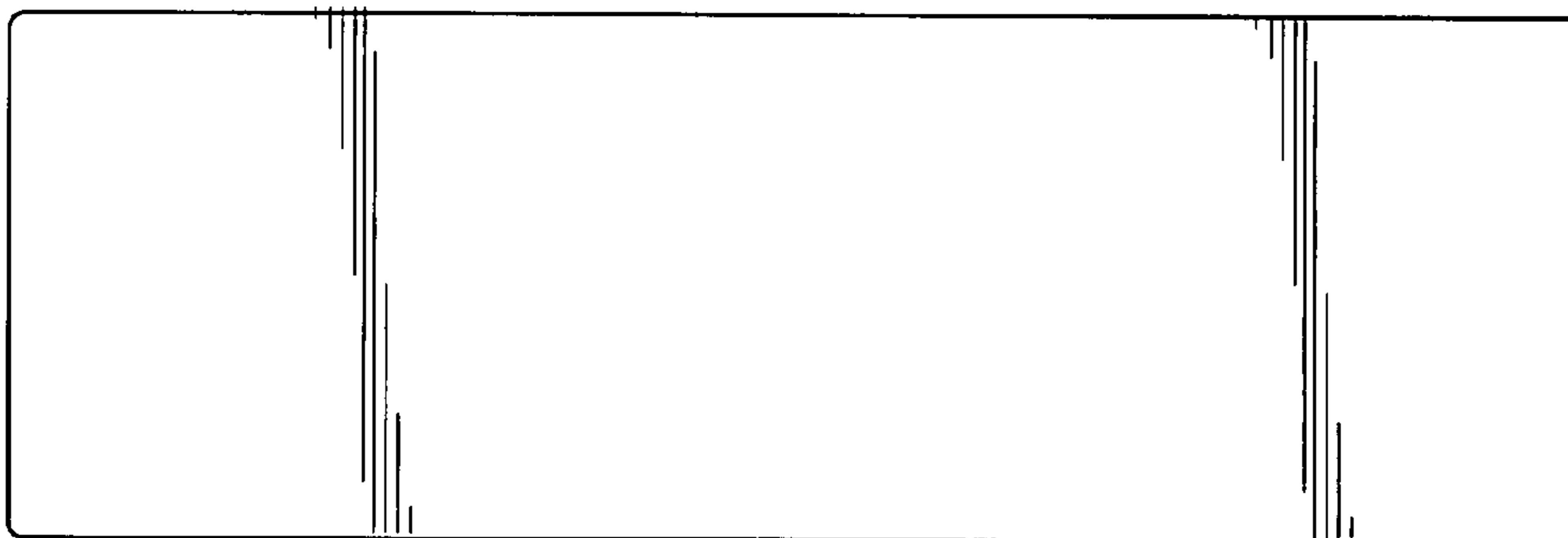


Fig. 7

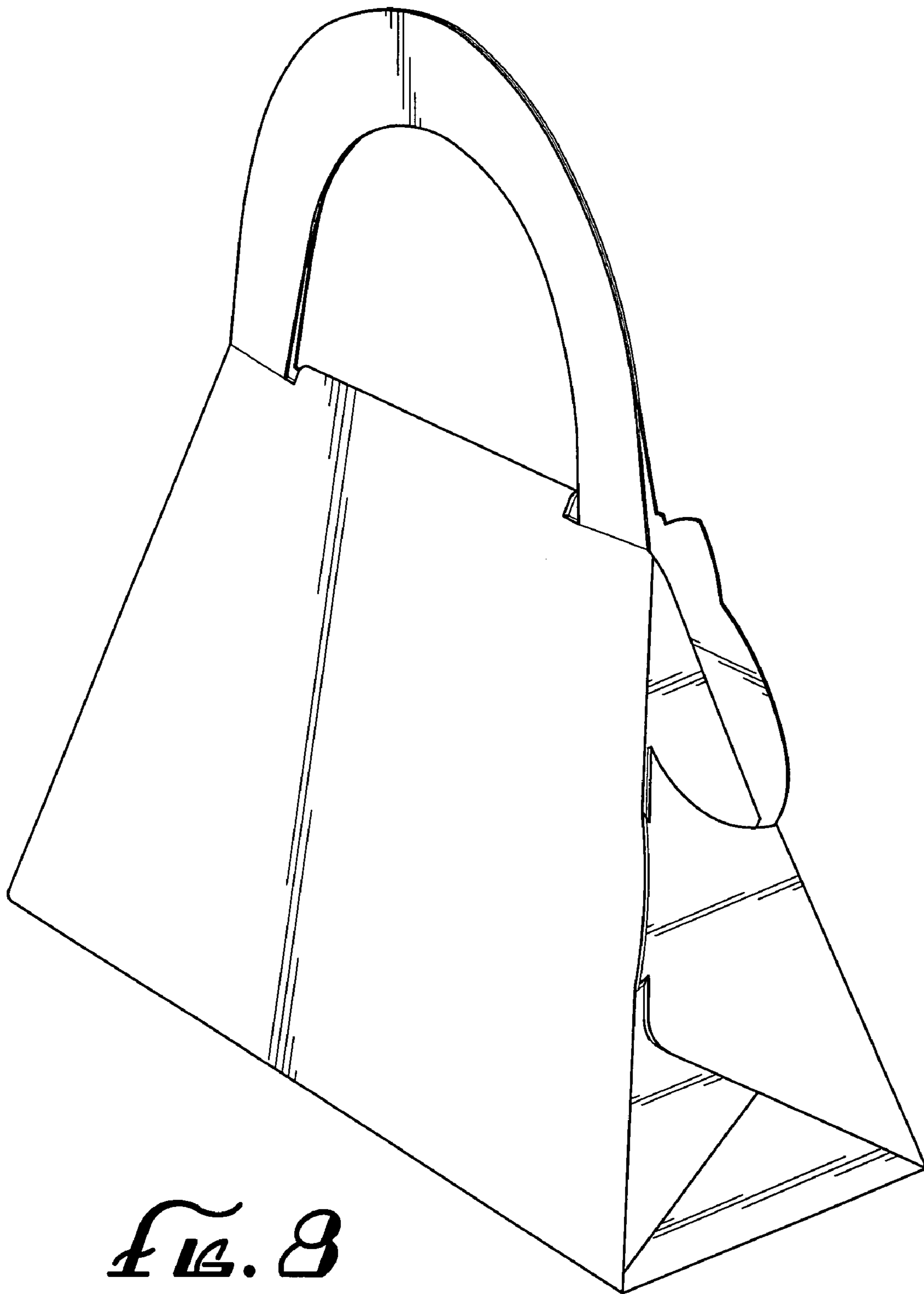


FIG. 8