



US00D576883S

(12) **United States Design Patent**
Carapelli

(10) **Patent No.:** **US D576,883 S**

(45) **Date of Patent:** **** Sep. 16, 2008**

(54) **JAR**

(75) Inventor: **Elena Carapelli**, Florence (IT)

(73) Assignee: **Drogheria E Alimentari S.r.l.**, Florence (IT)

(**) Term: **14 Years**

(21) Appl. No.: **29/270,357**

(22) Filed: **Dec. 21, 2006**

(30) **Foreign Application Priority Data**

Jun. 22, 2006 (EM) 000549050

(51) **LOC (8) Cl.** **09-01**

(52) **U.S. Cl.** **D9/522; D9/564; D9/575**

(58) **Field of Classification Search** D9/516,
D9/521-522, 529, 549, 551, 559, 561, 564,
D9/572-575, 651, 682, 686-694, 724, 738-747;
215/379-385; 220/660-662, 669-673, 675-678
See application file for complete search history.

(56) **References Cited**

U.S. PATENT DOCUMENTS

D86,712 S * 4/1932 Fuerst D9/522
D95,888 S * 6/1935 Adams D9/563
D99,011 S * 3/1936 Garwood D9/526
D99,012 S * 3/1936 Garwood D9/526

D134,307 S * 11/1942 Loewy D9/522
D175,196 S * 7/1955 Suttle D9/522
D204,705 S * 5/1966 Birrall et al. D9/526
D357,629 S * 4/1995 Weiss D9/521
D370,834 S * 6/1996 Hartman D7/612
D404,259 S * 1/1999 Tisdale D7/590
D500,640 S * 1/2005 Lawson et al. D7/612
D509,438 S * 9/2005 Woerz D9/563

* cited by examiner

Primary Examiner—Ian Simmons

Assistant Examiner—Dana L Sipos

(74) *Attorney, Agent, or Firm*—Dickstein Shapiro LLP

(57) **CLAIM**

The ornamental design for a jar, as shown and described.

DESCRIPTION

FIG. 1 is a front elevation view of a jar showing my new design;

FIG. 2 is a right side elevation view thereof;

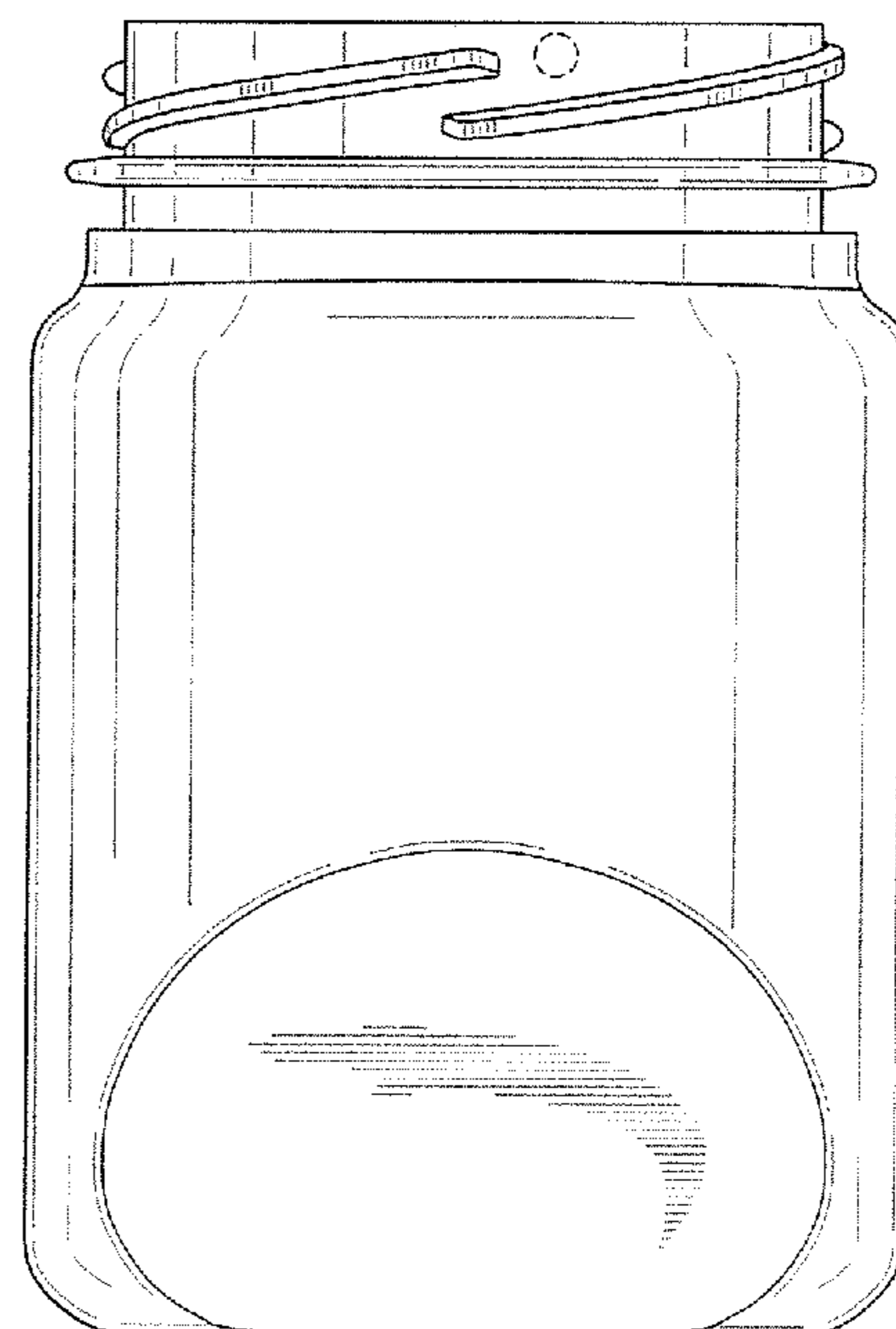
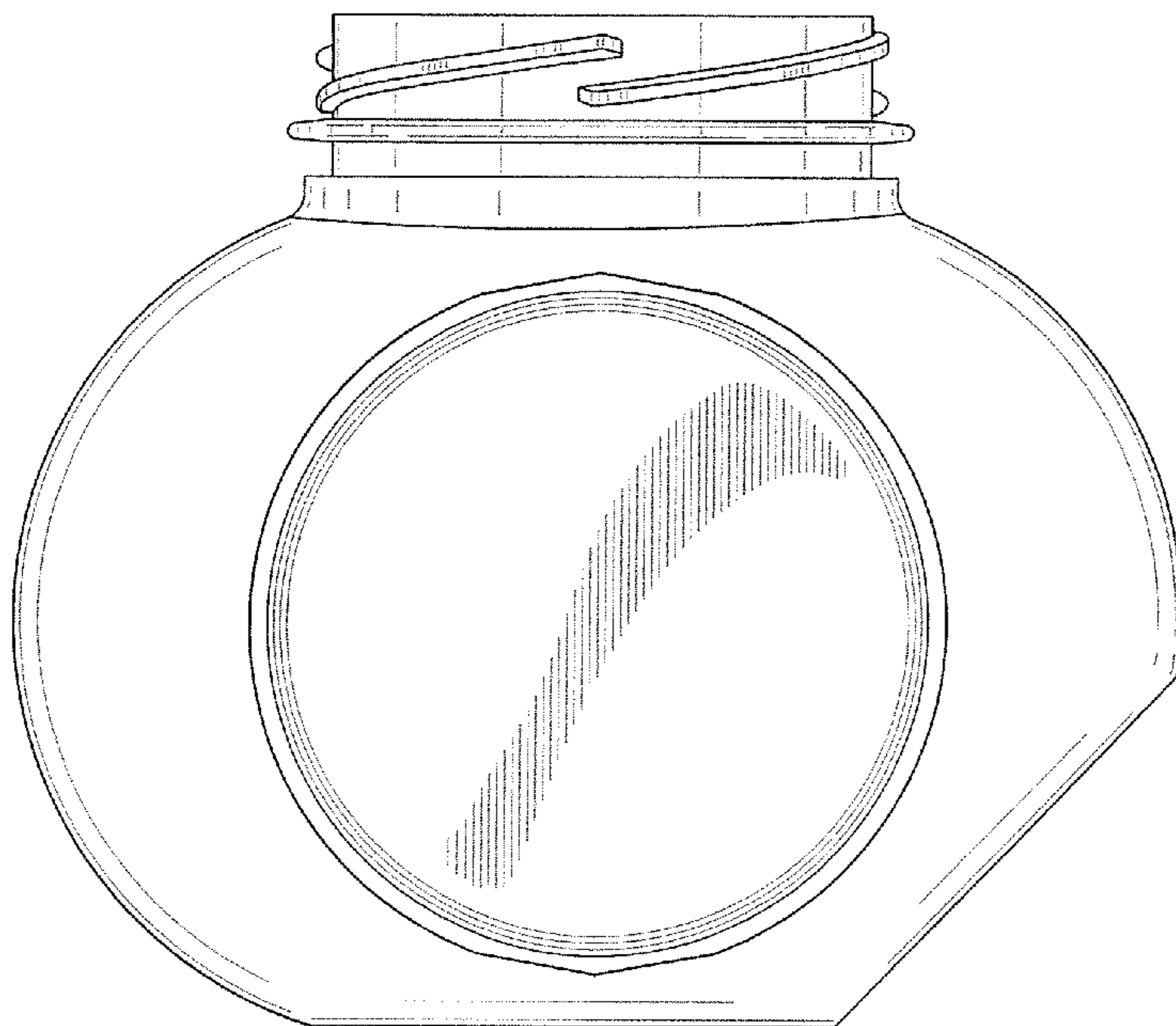
FIG. 3 is a top plan view thereof;

FIG. 4 is a rear elevation view thereof; and,

FIG. 5 is a left side elevation view thereof.

The broken lines shown in the drawings represent unclaimed environment and are for illustrative purposes only, forming no part of the claimed design.

1 Claim, 3 Drawing Sheets



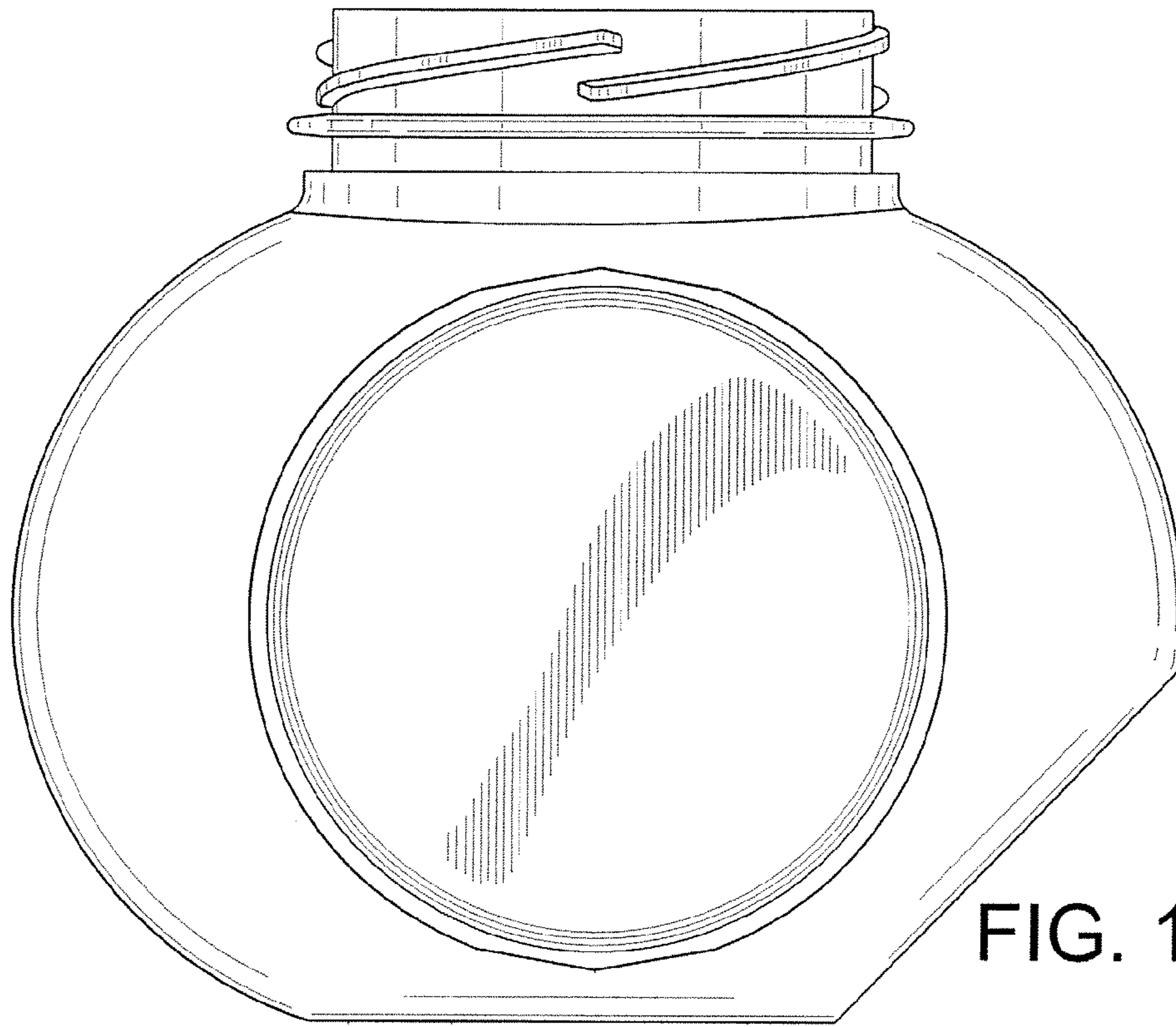


FIG. 1

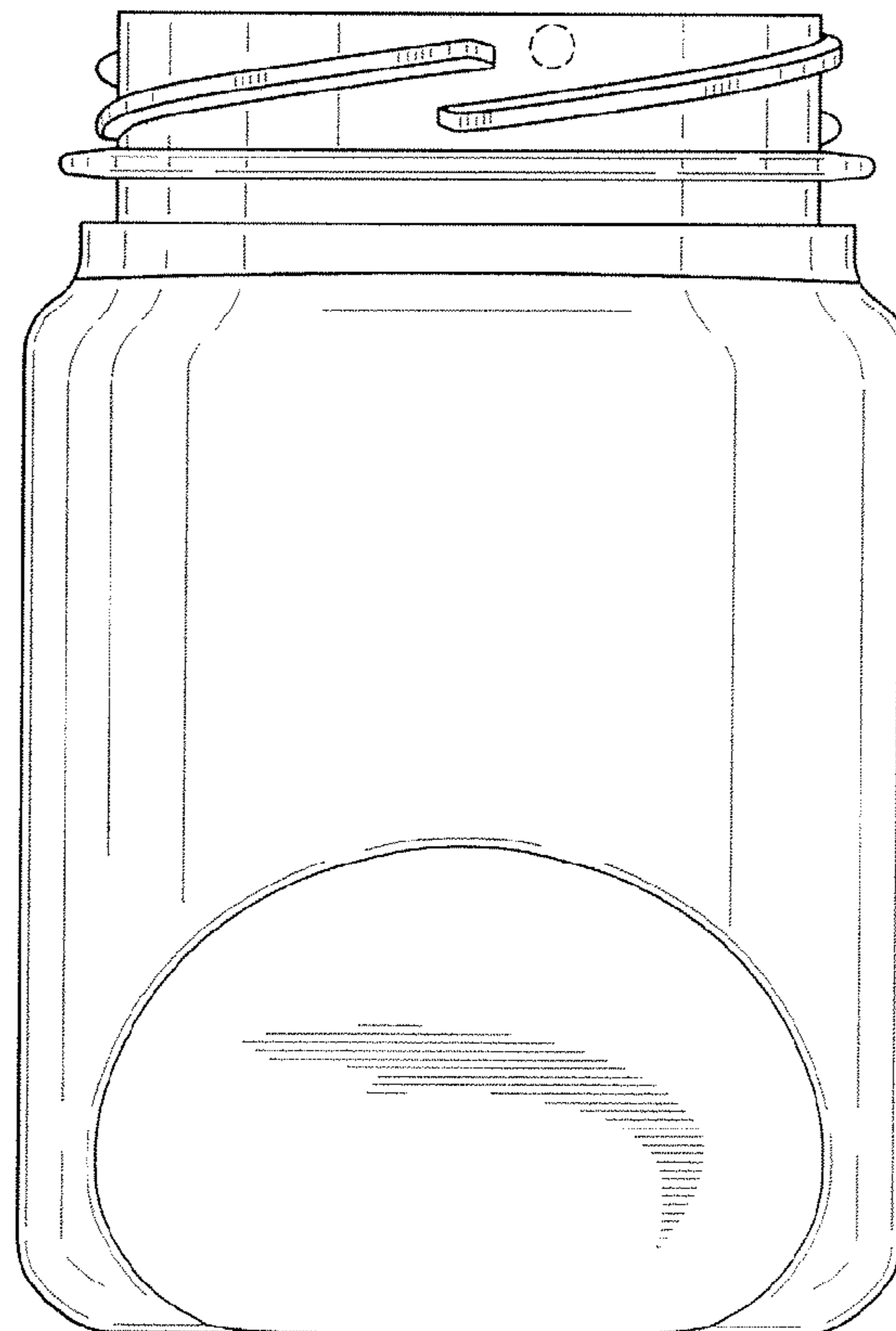


FIG. 2

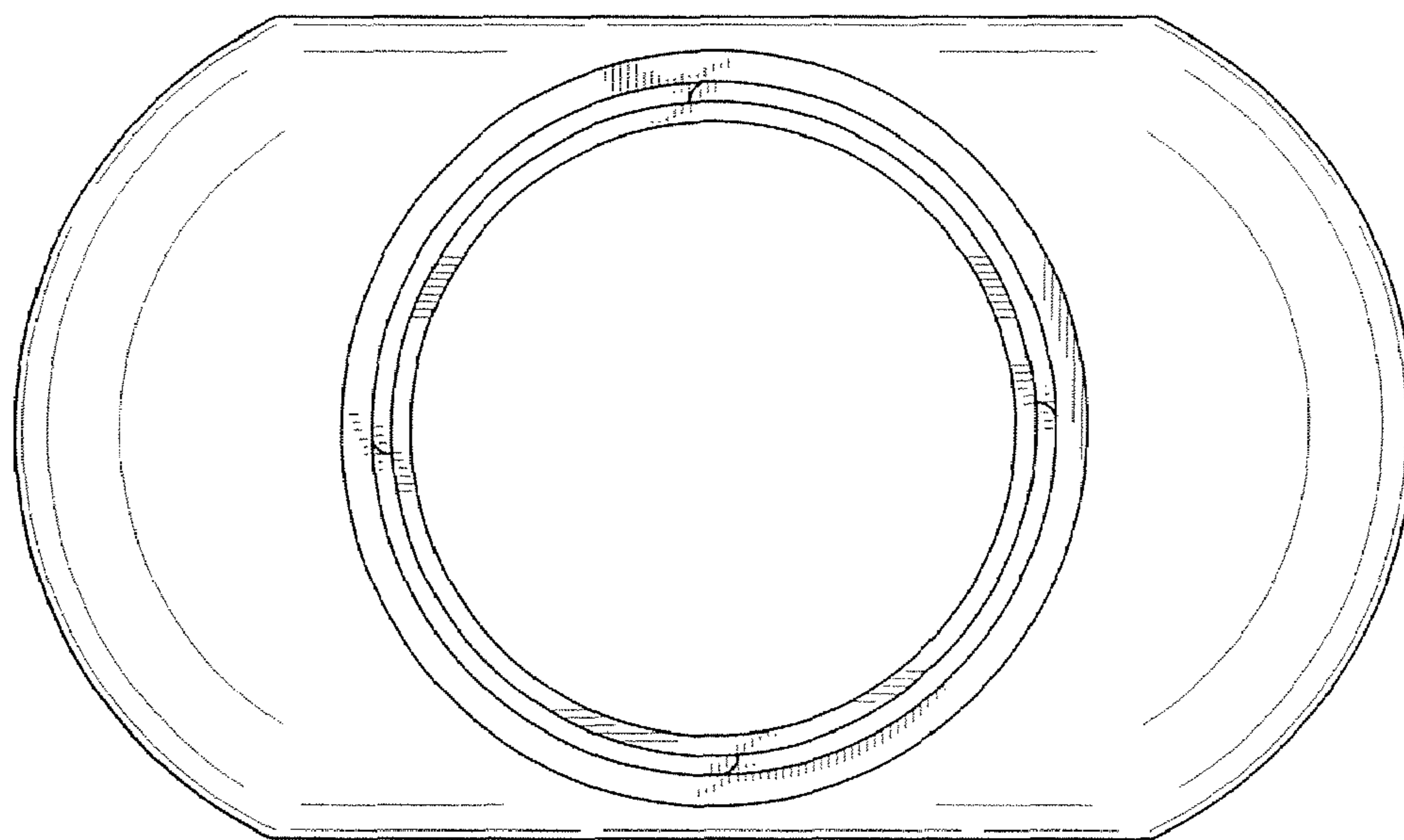


FIG. 3

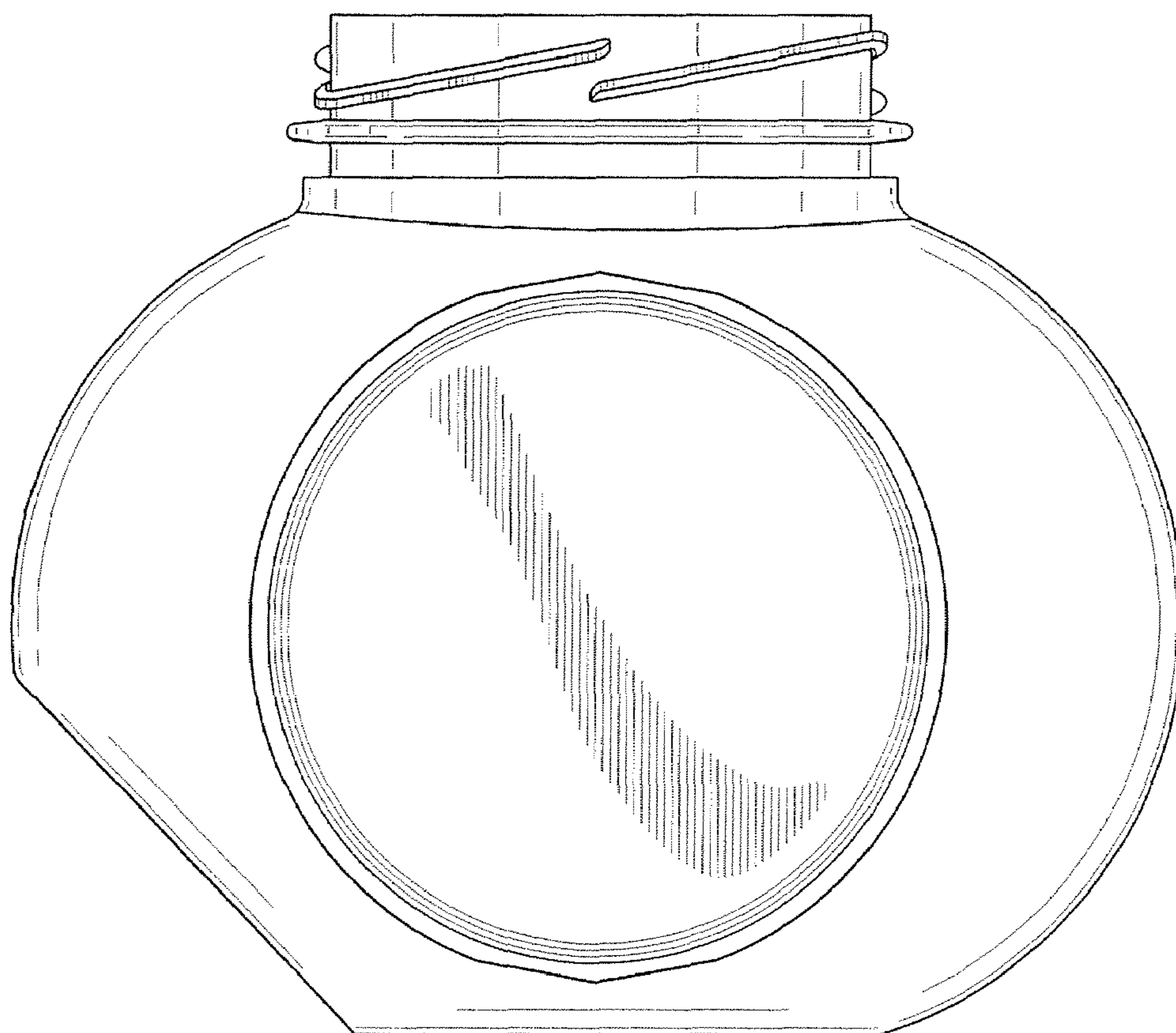


FIG. 4

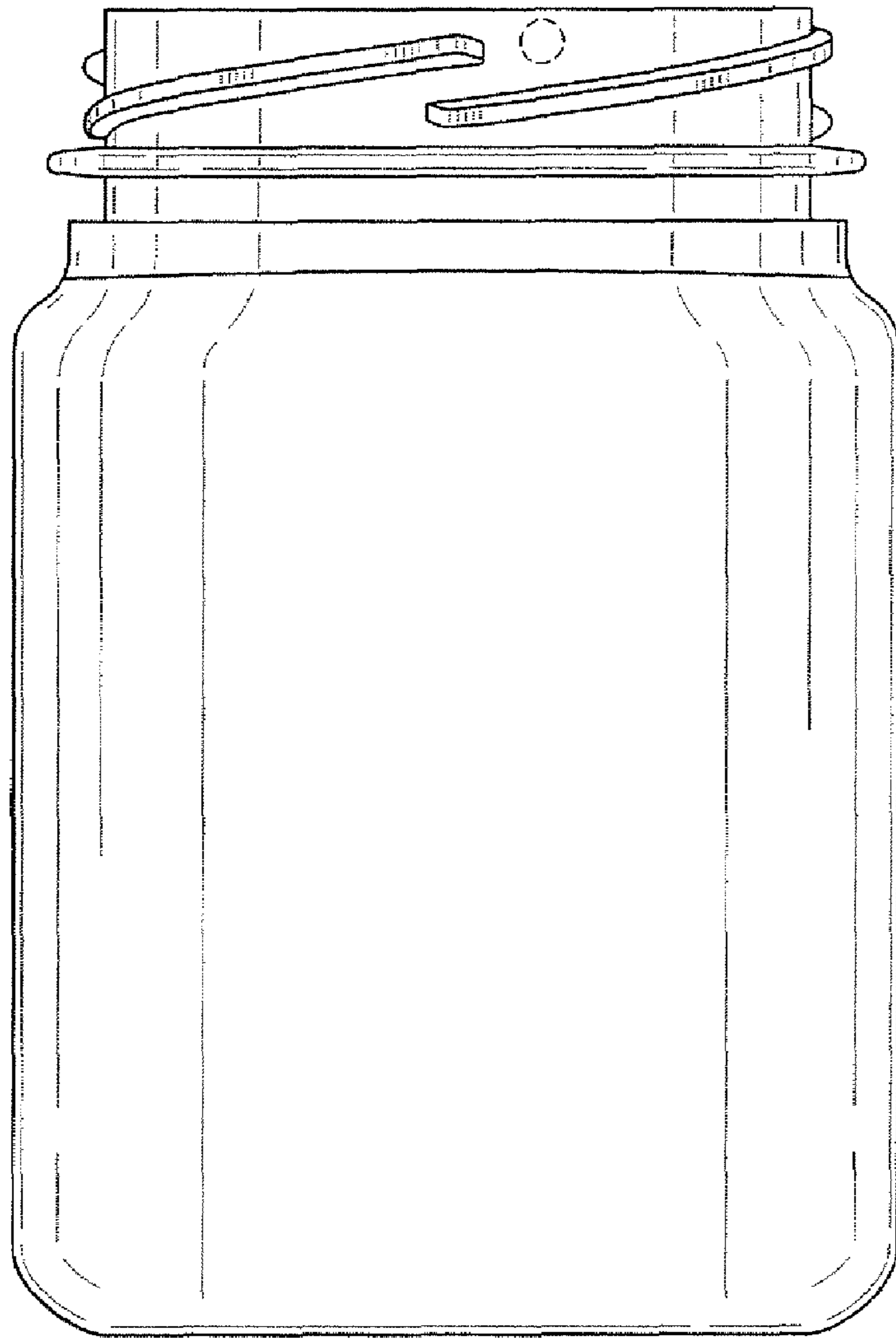


FIG. 5