



US00D576880S

(12) **United States Design Patent**
Couey

(10) **Patent No.:** **US D576,880 S**

(45) **Date of Patent:** **** Sep. 16, 2008**

(54) **PERFUME BOTTLE**

D463,263 S * 9/2002 Gobe D9/691

(75) Inventor: **Larry Couey**, New Hope, PA (US)

* cited by examiner

(73) Assignee: **Revelations Perfume & Cosmetics, Inc.**, Huntington Valley, PA (US)

Primary Examiner—Ian Simmons

Assistant Examiner—Dana L Sipos

(74) *Attorney, Agent, or Firm*—WolfBlock LLP

(**) Term: **14 Years**

(57) **CLAIM**

(21) Appl. No.: **29/261,751**

The ornamental design for a perfume bottle, as shown and described.

(22) Filed: **Jun. 20, 2006**

(51) **LOC (8) Cl.** **09-01**

DESCRIPTION

(52) **U.S. Cl.** **D9/503; D9/688**

(58) **Field of Classification Search** D9/500,
D9/502–504, 519, 529, 549, 557–558, 682,
D9/686–691, 694, 900; D28/76, 78, 91,
D28/91.1; 220/660–662, 669, 675; 215/379–383;
D24/222–224

FIG. 1 is a top front, left side perspective view of a perfume bottle showing my new design;

FIG. 2 is a front elevation view thereof;

FIG. 3 is a rear elevation view thereof;

FIG. 4 is a right side elevation view thereof;

FIG. 5 is a left side elevation view thereof;

FIG. 6 is a top plan view thereof; and,

FIG. 7 is a bottom plan view thereof.

See application file for complete search history.

The broken lines shown in the drawings form no part of the claimed design.

(56) **References Cited**

U.S. PATENT DOCUMENTS

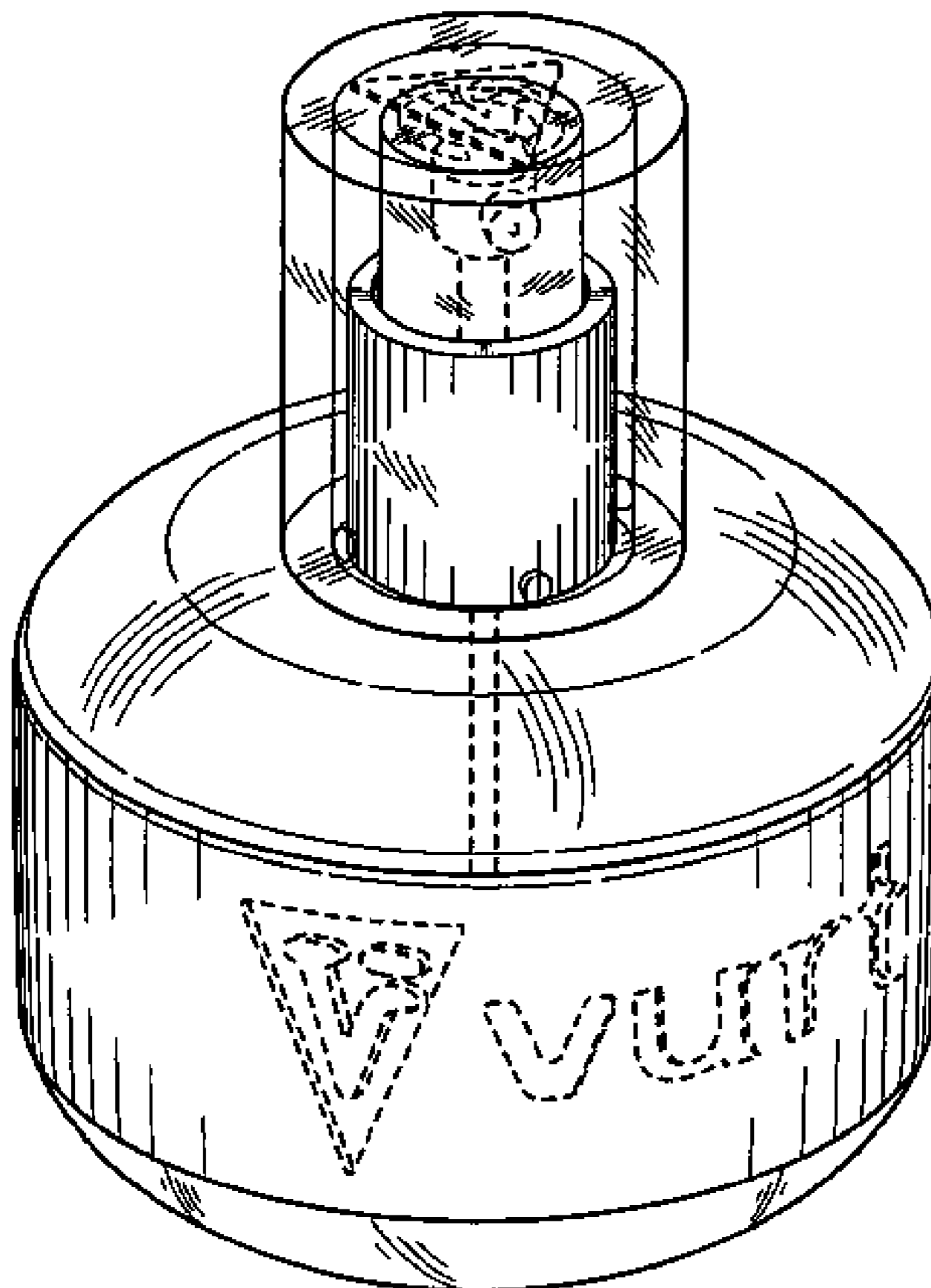
D433,624 S * 11/2000 Negre D9/691

D445,328 S * 7/2001 Boussiquet et al. D9/691

D449,516 S * 10/2001 Modjeski D9/692

D449,532 S * 10/2001 Modjeski D9/500

1 Claim, 7 Drawing Sheets



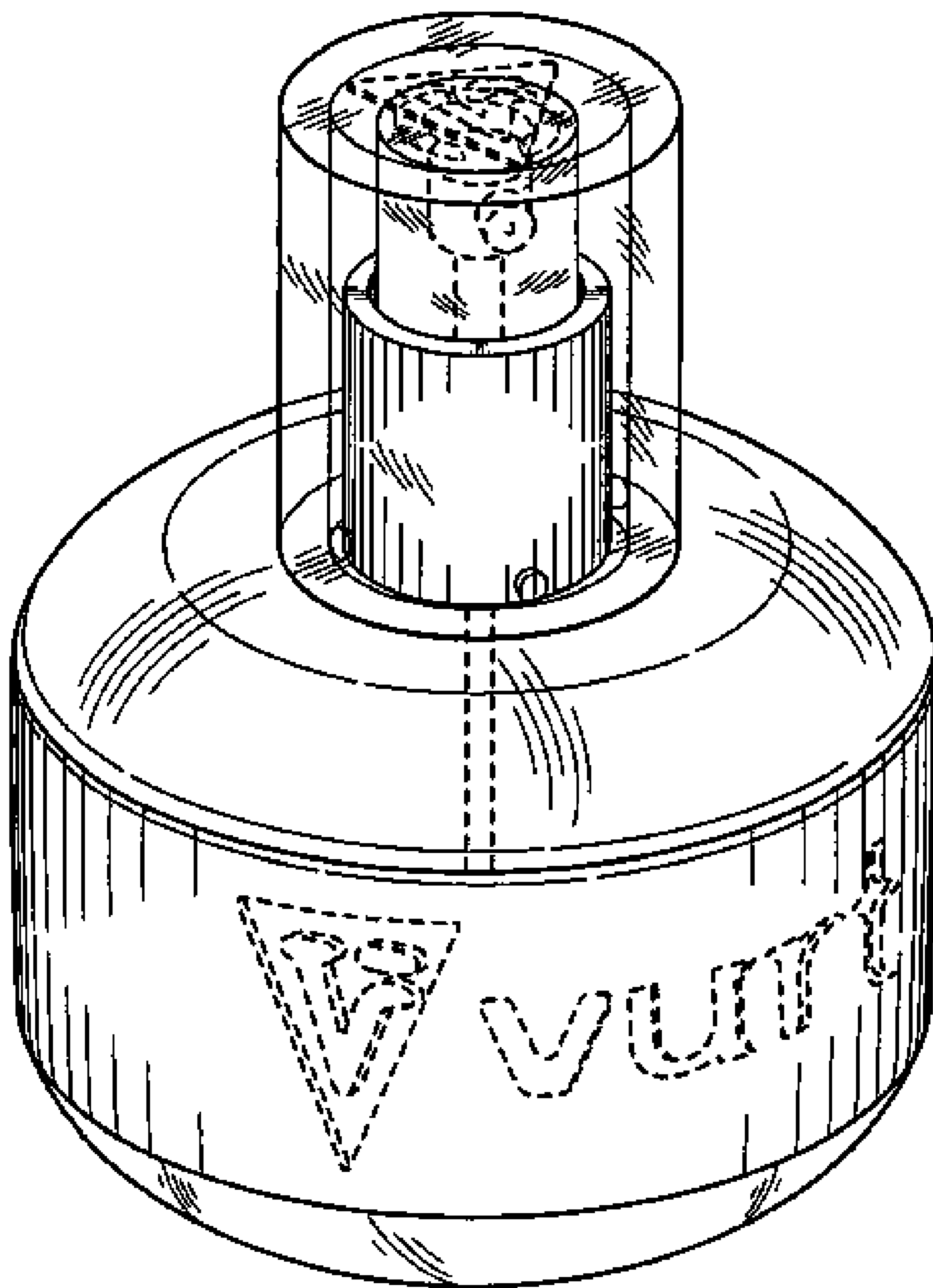


FIG. 1

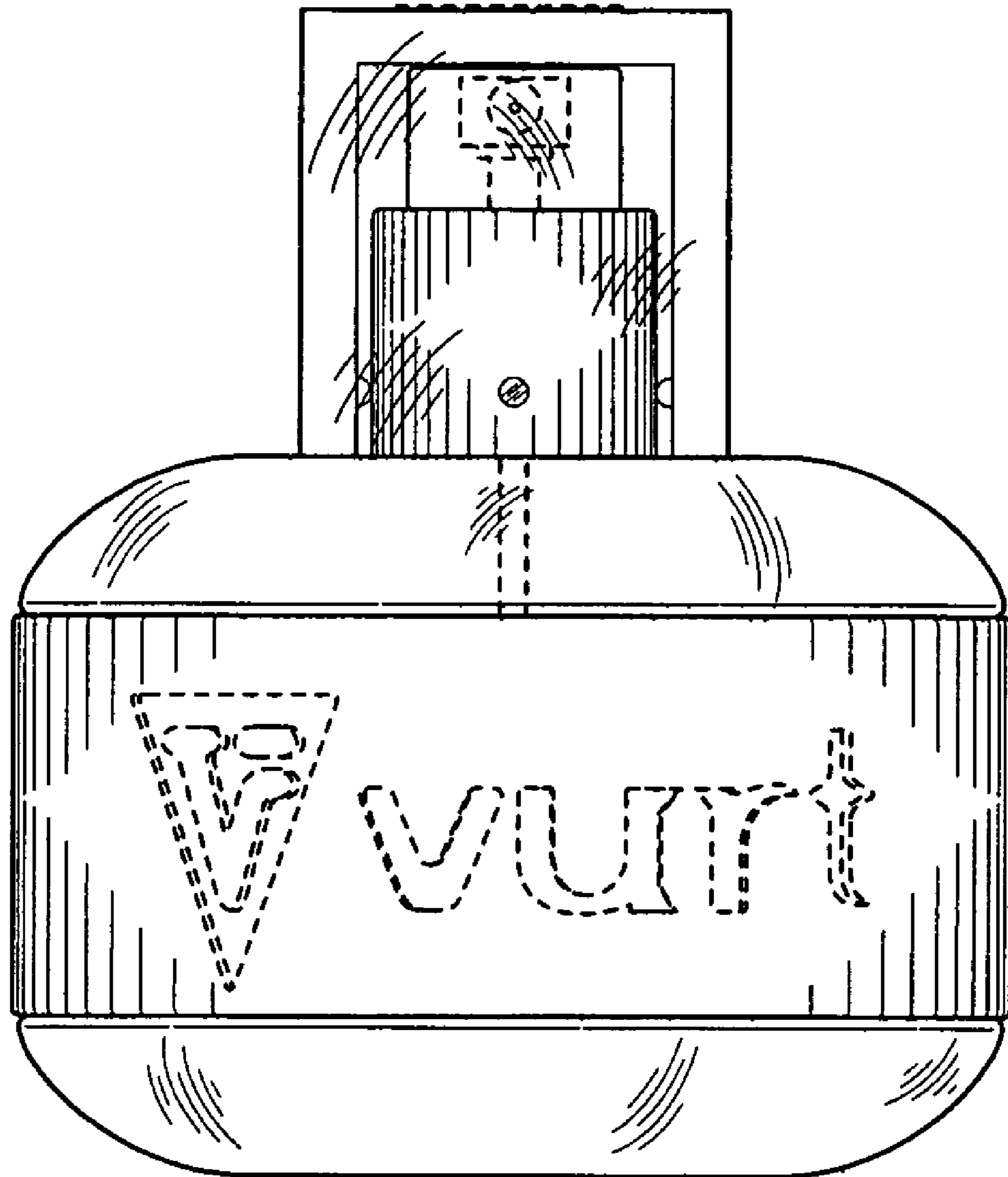


FIG. 2

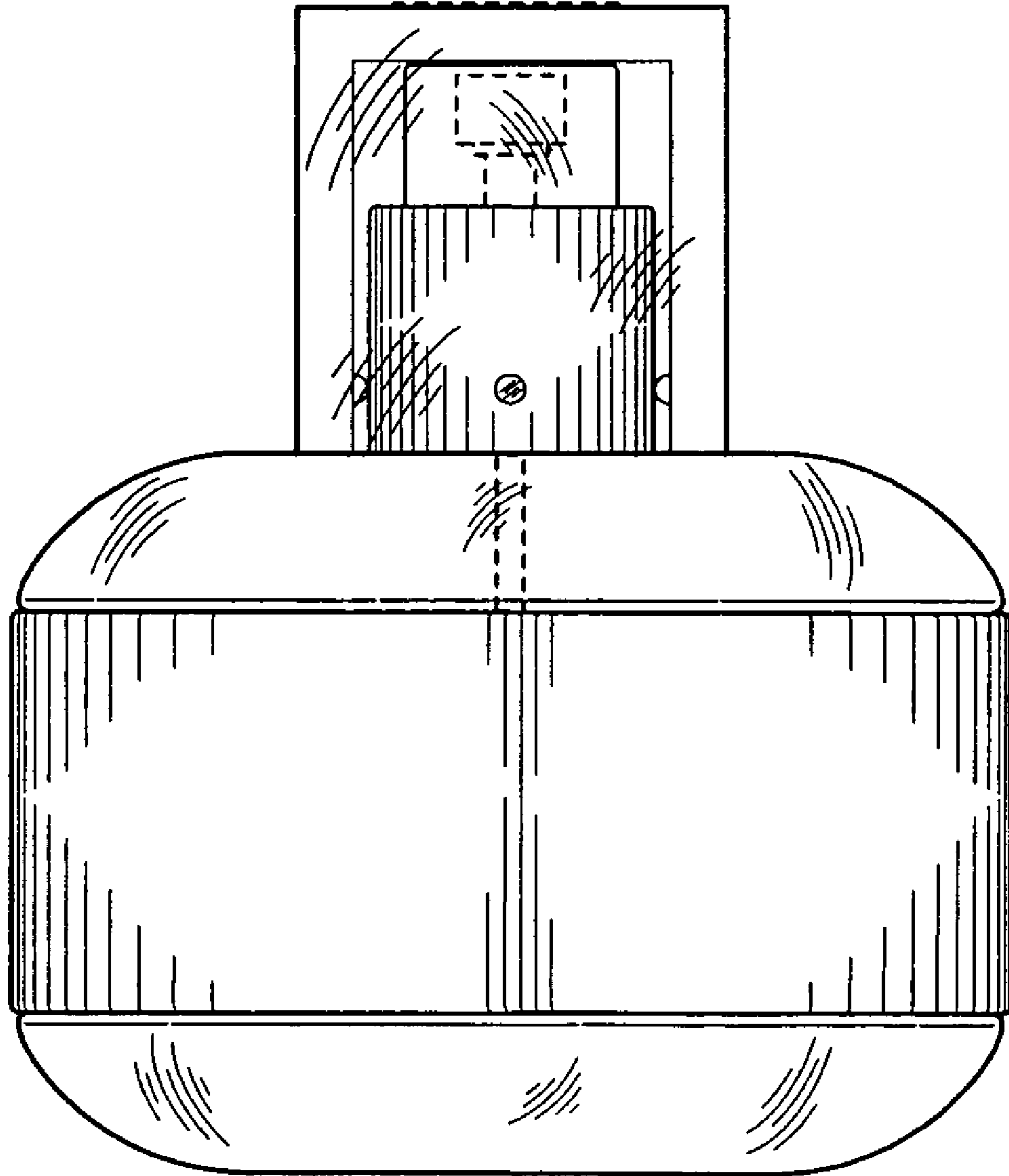


FIG. 3

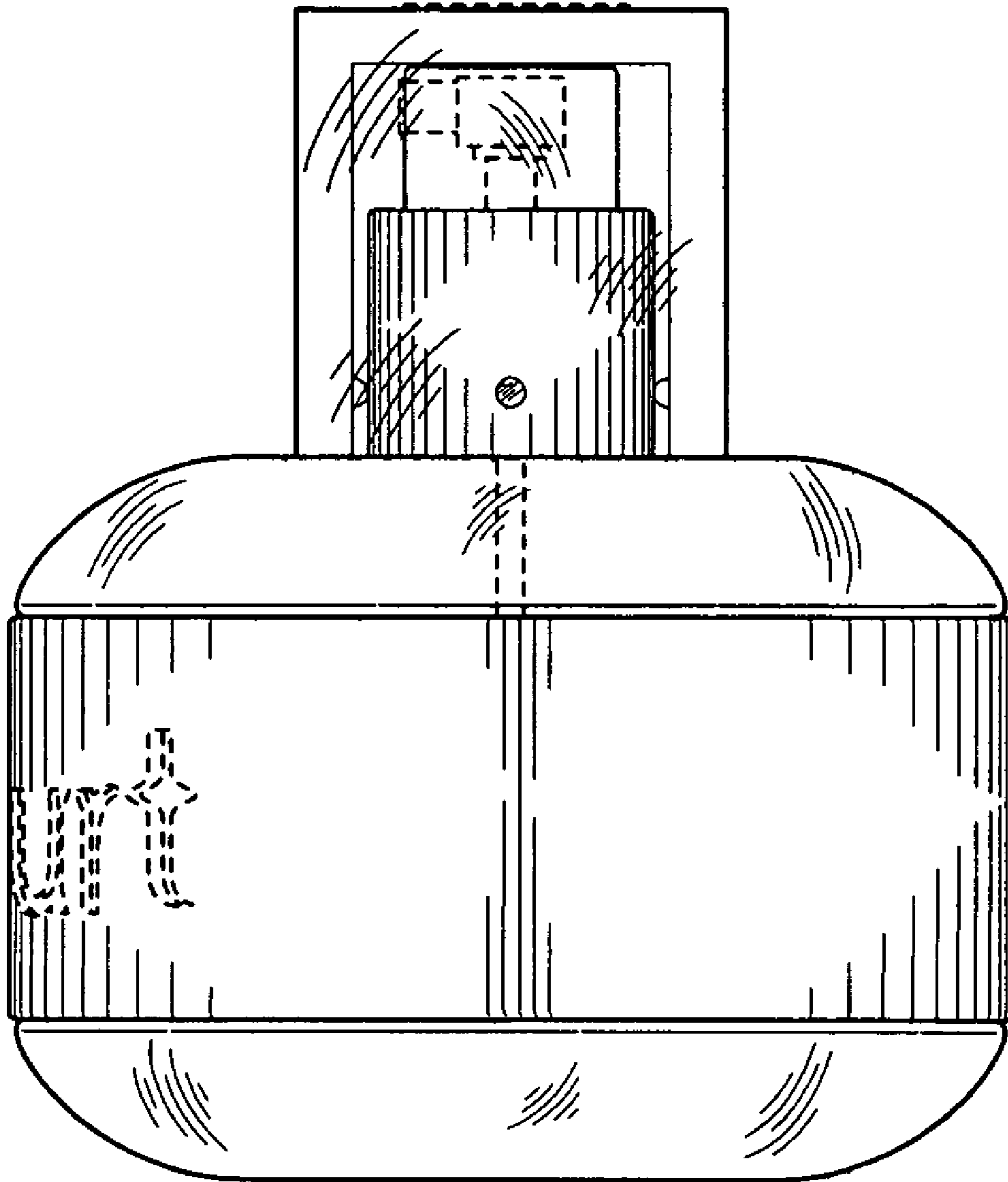


FIG. 4

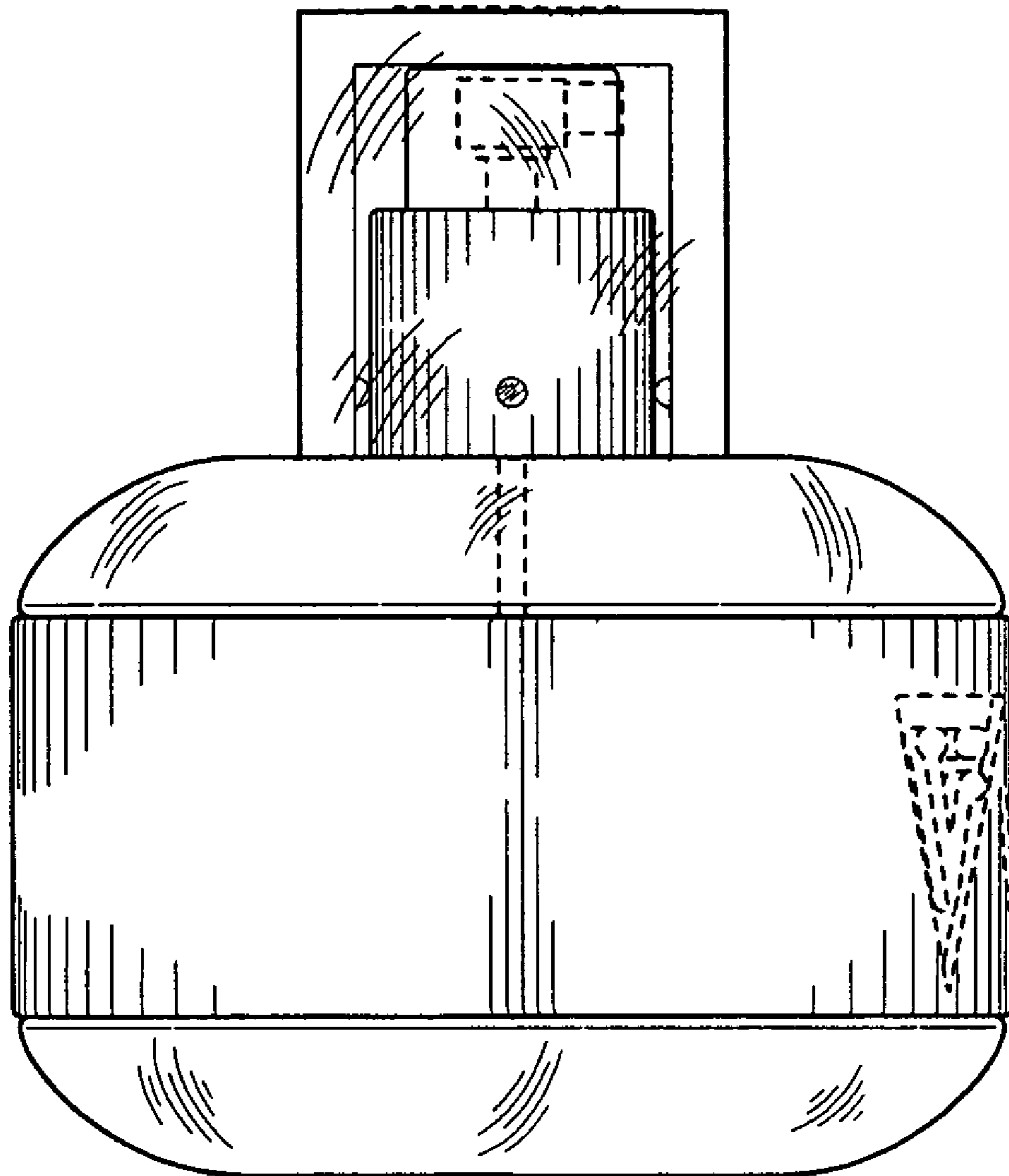


FIG. 5

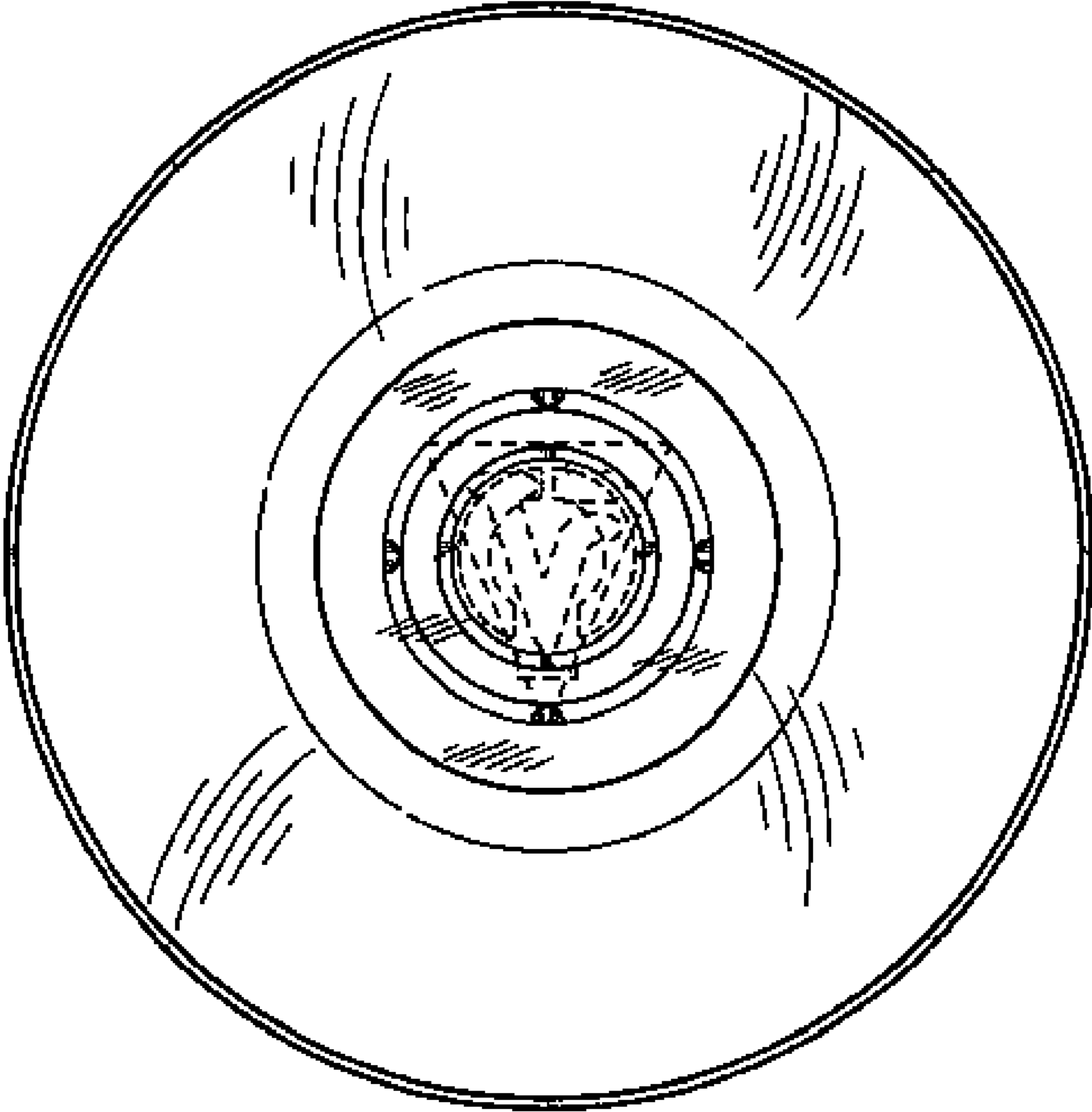


FIG. 6

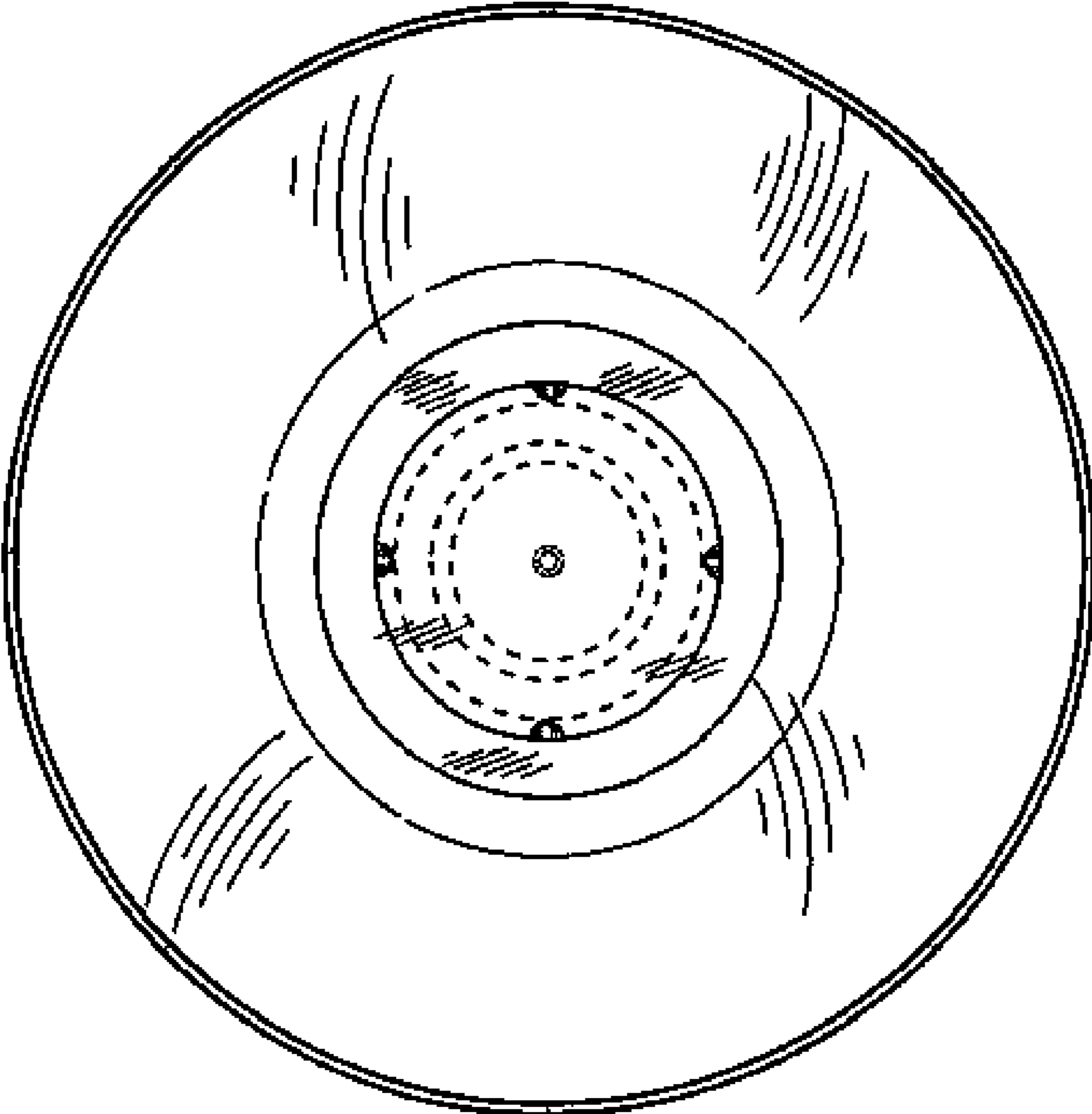


FIG. 7