



US00D576878S

(12) **United States Design Patent**  
**Brashear**

(10) **Patent No.:** **US D576,878 S**

(45) **Date of Patent:** **\*\* Sep. 16, 2008**

(54) **DOME TOP METALLIC LID**

D374,401 S \* 10/1996 Behnen, Jr. .... D9/452  
5,673,808 A \* 10/1997 Valyi et al. .... 215/252

(75) Inventor: **Robert Brashear**, Perkasio, PA (US)

\* cited by examiner

(73) Assignee: **Ball Corporation**, Broomfield, CO (US)

*Primary Examiner*—Gary D. Watson

(\*\*) Term: **14 Years**

*Assistant Examiner*—Susan Bennett Hattan

(21) Appl. No.: **29/280,941**

(74) *Attorney, Agent, or Firm*—Sheridan Ross P.C.

(22) Filed: **Jun. 11, 2007**

(57) **CLAIM**

(51) **LOC (8) Cl.** ..... **09-07**

The ornamental design for a dome top metallic lid, as shown and described.

(52) **U.S. Cl.** ..... **D9/453; D9/454**

**DESCRIPTION**

(58) **Field of Classification Search** ..... D9/454,  
D9/453, 452, 451, 447, 443, 441, 438, 435,  
D9/44, 4; D7/396.4, 391; D23/250; 215/329,  
215/305, 295, 256, 252, 246

FIG. 1 is a front perspective view of a dome top metallic lid for a container, the broken lines representing environment and forming no part of the claimed design;

See application file for complete search history.

FIG. 2 is an exploded front elevation view of the invention illustrated in FIG. 1;

(56) **References Cited**

FIG. 3 is a front elevation view of the invention illustrated in FIG. 1;

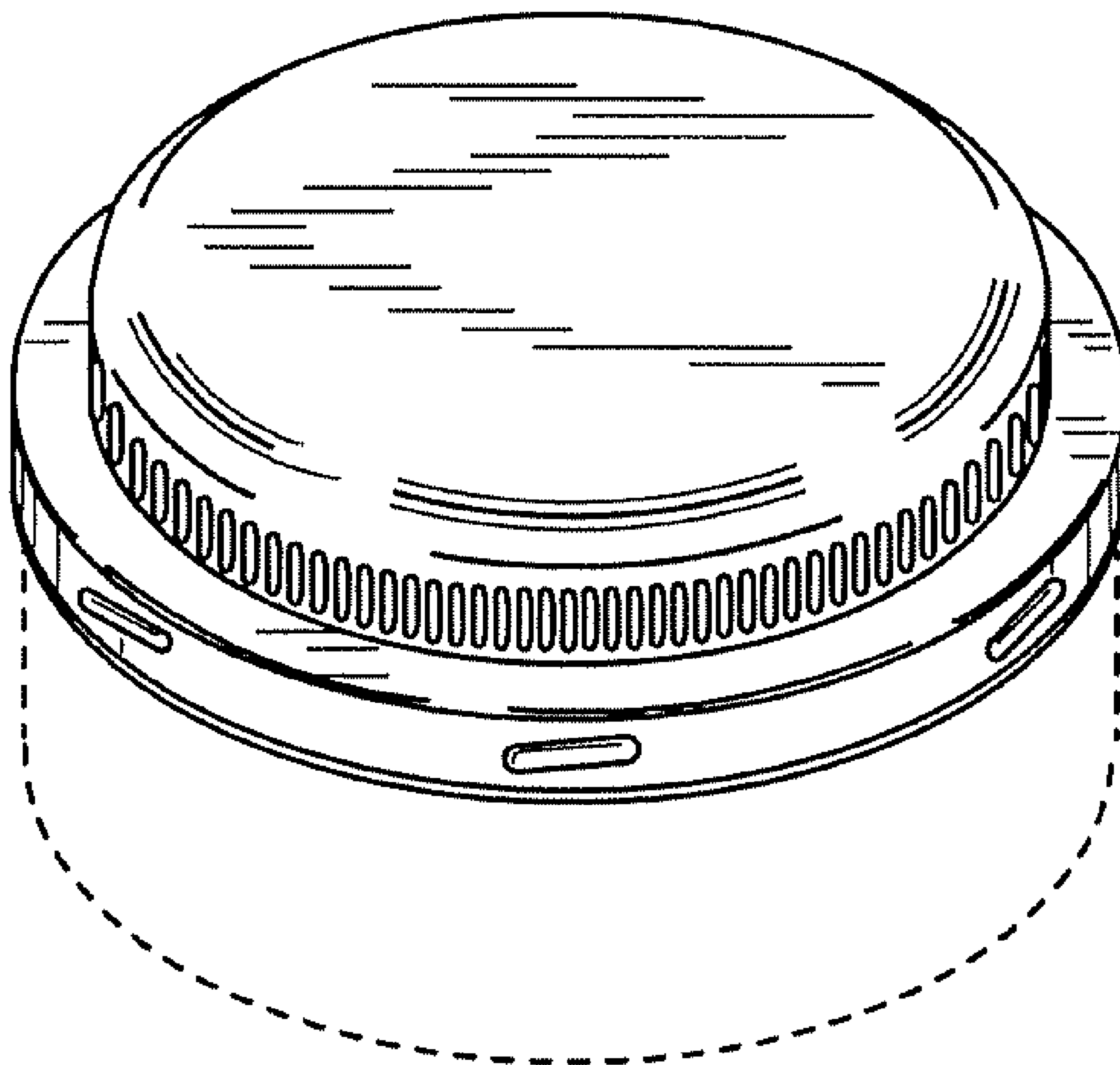
**U.S. PATENT DOCUMENTS**

1,579,942	A *	4/1926	Jensvold	.....	215/329
1,784,089	A *	12/1930	Carr	.....	215/295
2,104,236	A *	1/1938	Mermer	.....	215/252
D141,415	S	5/1945	Wargel et al.		
3,750,821	A *	8/1973	Sourbet et al.	.....	215/252
4,951,830	A *	8/1990	Cochrane	.....	215/256

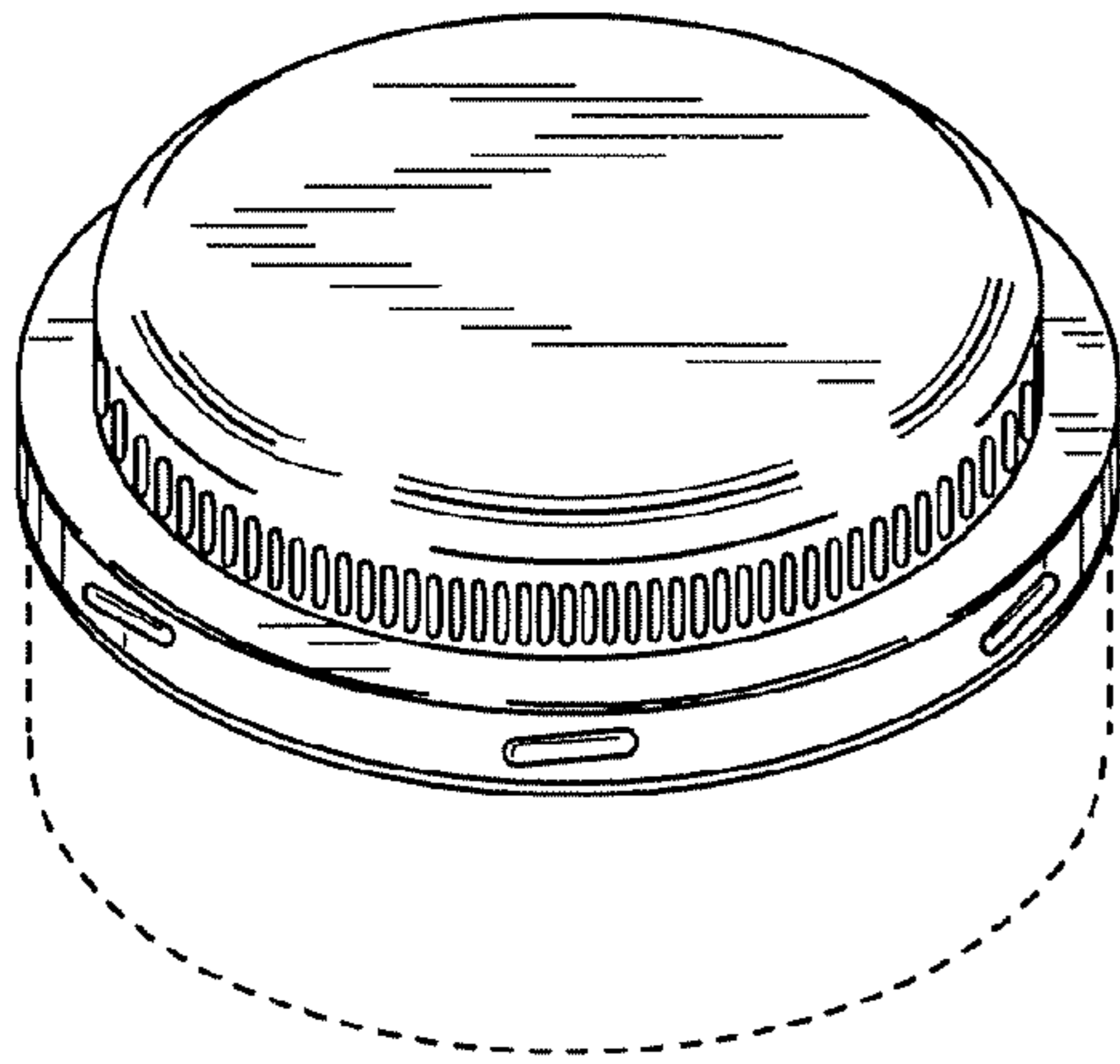
FIG. 4 is a top plan view of the invention illustrated in FIG. 1; and,

FIG. 5 is a bottom view of the invention illustrated in FIG. 1.

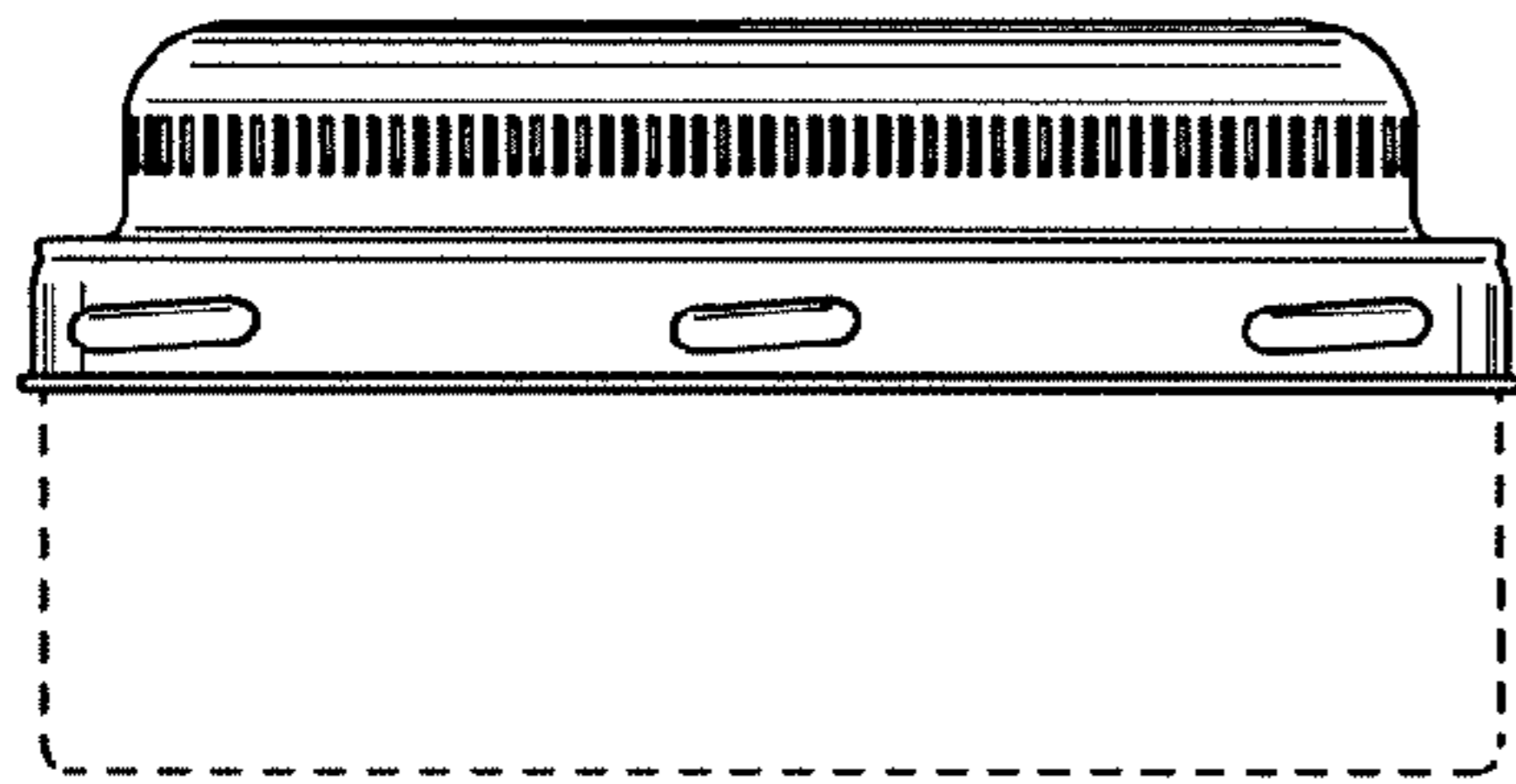
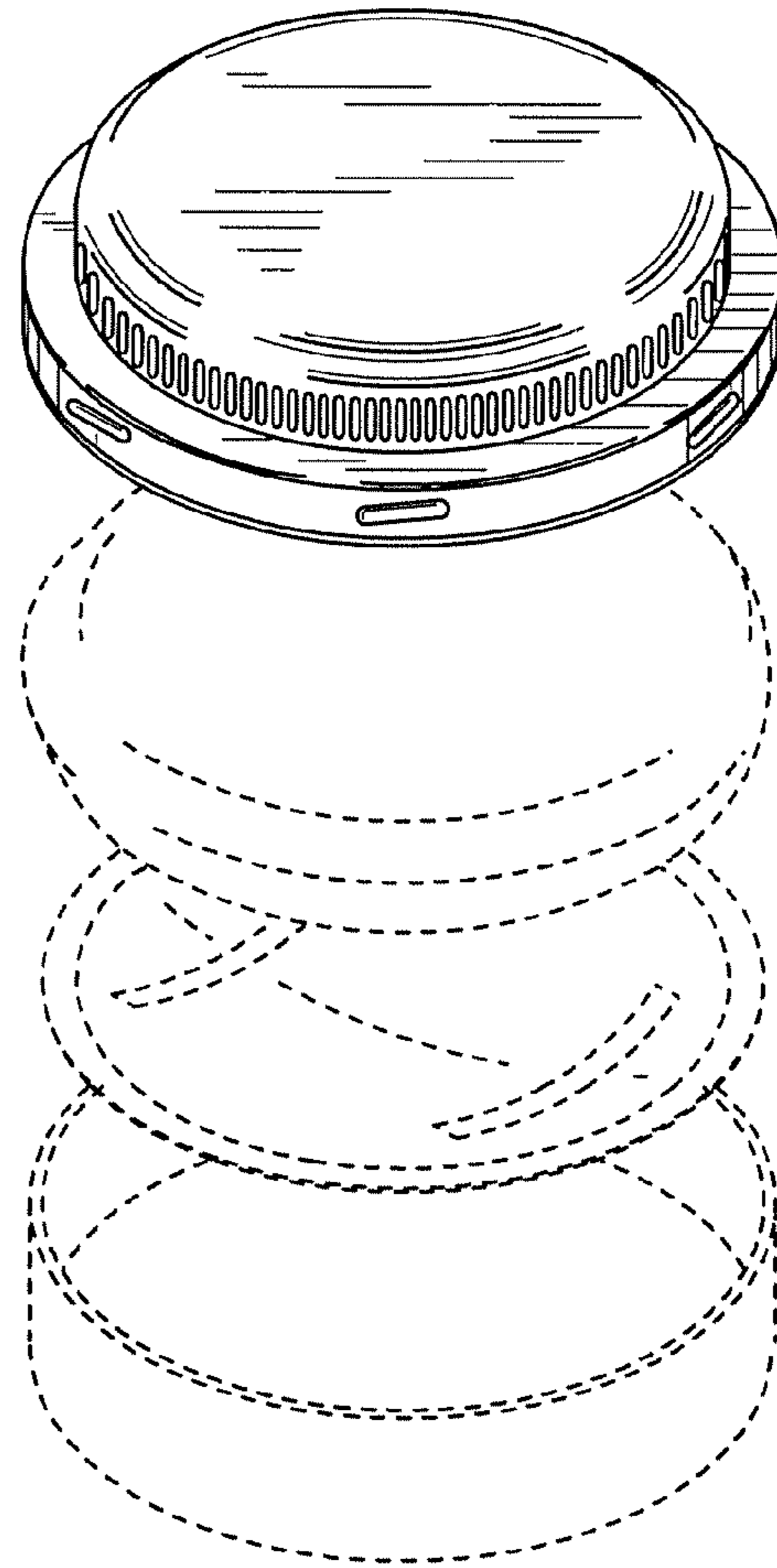
**1 Claim, 1 Drawing Sheet**



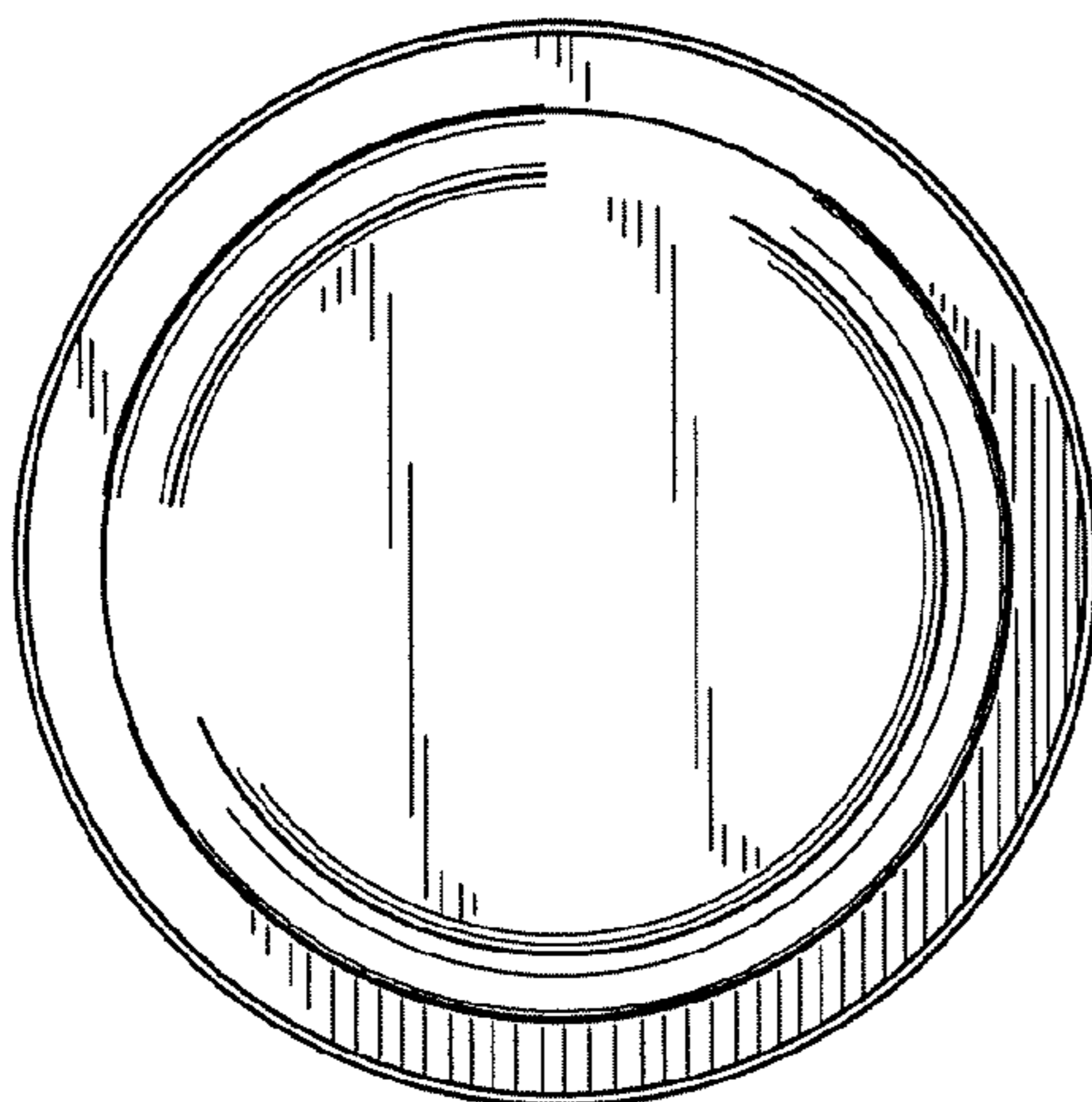
**Fig. 1**



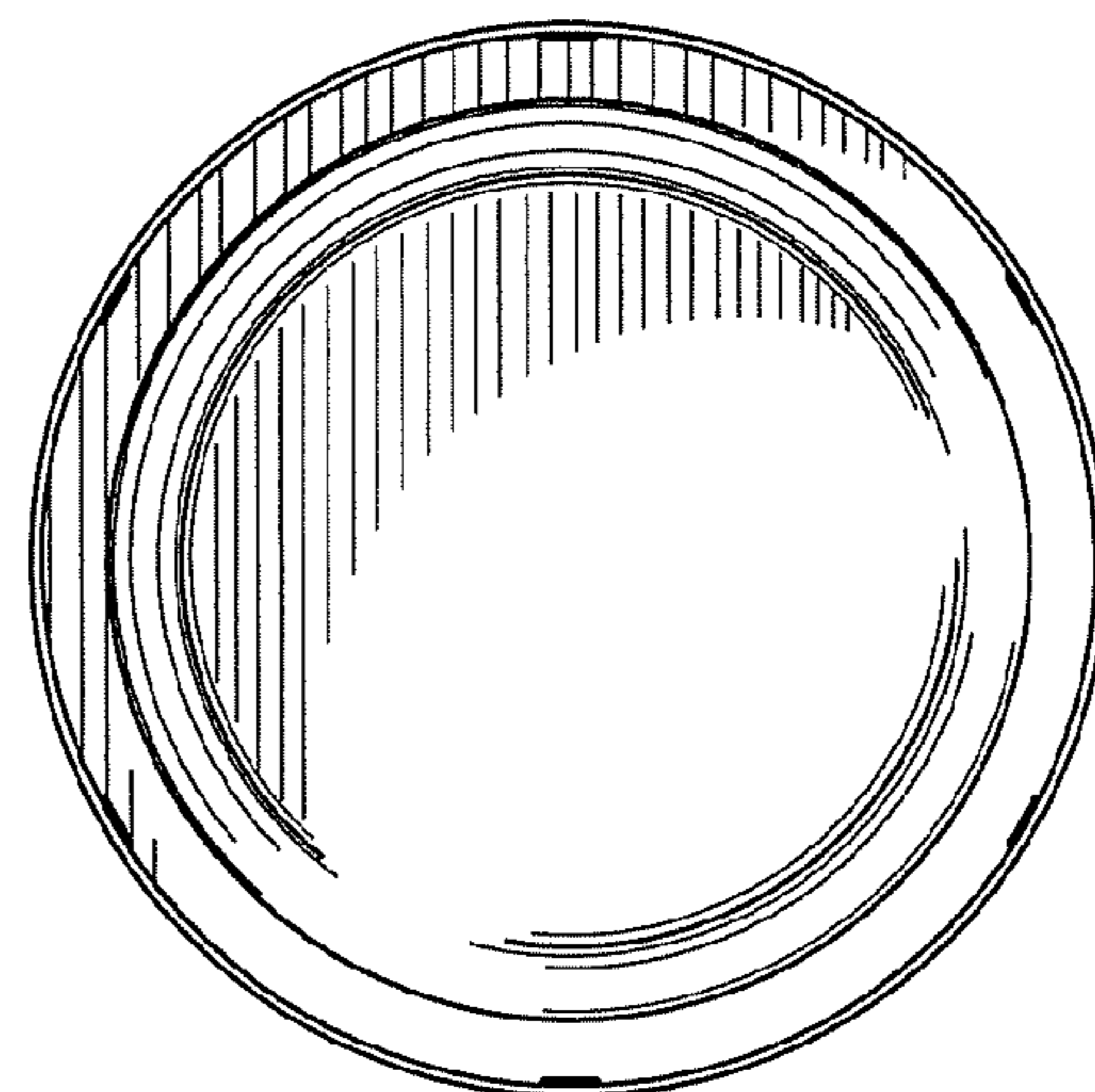
**Fig. 2**



**Fig. 3**



**Fig. 4**



**Fig. 5**