



US00D576877S

(12) **United States Design Patent**  
**Alcamo et al.**

(10) **Patent No.:** **US D576,877 S**  
(45) **Date of Patent:** **\*\* Sep. 16, 2008**

(54) **BOTTLE CAP**

(76) Inventors: **John J. Alcamo**, 9500 W. 49th St., Suite A-100, Wheat Ridge, CO (US) 80033;  
**Richard J. Pearce**, 9500 W. 49th St., Suite A-100, Wheat Ridge, CO (US) 80033

(\*\*) Term: **14 Years**

(21) Appl. No.: **29/297,321**

(22) Filed: **Nov. 8, 2007**

(51) **LOC (8) Cl.** ..... **09-07**

(52) **U.S. Cl.** ..... **D9/449; D9/452; D9/438; D9/454**

(58) **Field of Classification Search** ..... D9/453, D9/450, 449, 446, 438; 222/571, 567, 566, 222/545, 544, 484, 481.5, 480; 220/810; 215/556, 235; D28/82

See application file for complete search history.

(56) **References Cited**

**U.S. PATENT DOCUMENTS**

2,766,796	A	10/1956	Tupper	
4,165,815	A *	8/1979	Vetter	220/4.27
4,475,654	A *	10/1984	Fruchter	220/521
5,000,204	A *	3/1991	Smith	220/375
5,090,582	A *	2/1992	Art et al.	215/250
5,397,017	A	3/1995	Muza et al.	
D363,025	S *	10/1995	Deflander et al.	D9/449
5,769,263	A *	6/1998	Willingham et al.	220/522
D398,852	S *	9/1998	Gross	D9/453
5,848,731	A *	12/1998	Deering	222/212
D427,906	S *	7/2000	Carter	D9/450
6,491,041	B1	12/2002	Okamoto	
6,557,714	B2	5/2003	Babcock et al.	
6,681,958	B2	1/2004	Sorenson	
6,758,359	B2	7/2004	Yurkewicz et al.	
D513,585	S *	1/2006	Biesecker et al.	D9/453
7,055,709	B1 *	6/2006	Esau	215/228
D527,631	S *	9/2006	Mallet	D9/449
D533,781	S *	12/2006	Freisem et al.	D9/453
2005/0040052	A1	2/2005	Dixon	

2006/0151414 A1 7/2006 Mullen

**FOREIGN PATENT DOCUMENTS**

FR 2800042 A1 4/2001  
GB 2321231 A 7/1998

\* cited by examiner

*Primary Examiner*—Gary D. Watson

*Assistant Examiner*—Susan Bennett Hattan

(74) *Attorney, Agent, or Firm*—Marsh Fischmann & Breyfogle LLP; Kent A. Lembke

(57) **CLAIM**

The ornamental design for a bottle cap, as shown and described.

**DESCRIPTION**

FIG. 1 is a top perspective view of a bottle cap of the present invention showing the lid of the bottle cap in an open position; FIG. 2 is a bottom perspective view of the bottle cap of FIG. 1;

FIG. 3 is a front elevation view of the bottle cap of FIG. 1;

FIG. 4 is a back elevation view of the bottle cap of FIG. 1;

FIG. 5 is a right side elevation view of the bottle cap of FIG. 1 showing the lid of the bottle cap in a closed position;

FIG. 6 is a left side elevation view of the bottle cap of FIG. 5;

FIG. 7 is a top view of the bottle cap of FIG. 1;

FIG. 8 is a bottom view of the bottle cap of FIG. 1;

FIG. 9 is top perspective view of the bottle cap of FIG. 5;

FIG. 10 is a front elevation view of the bottle cap of FIG. 5;

FIG. 11 is a back elevation view of the bottle cap of FIG. 5;

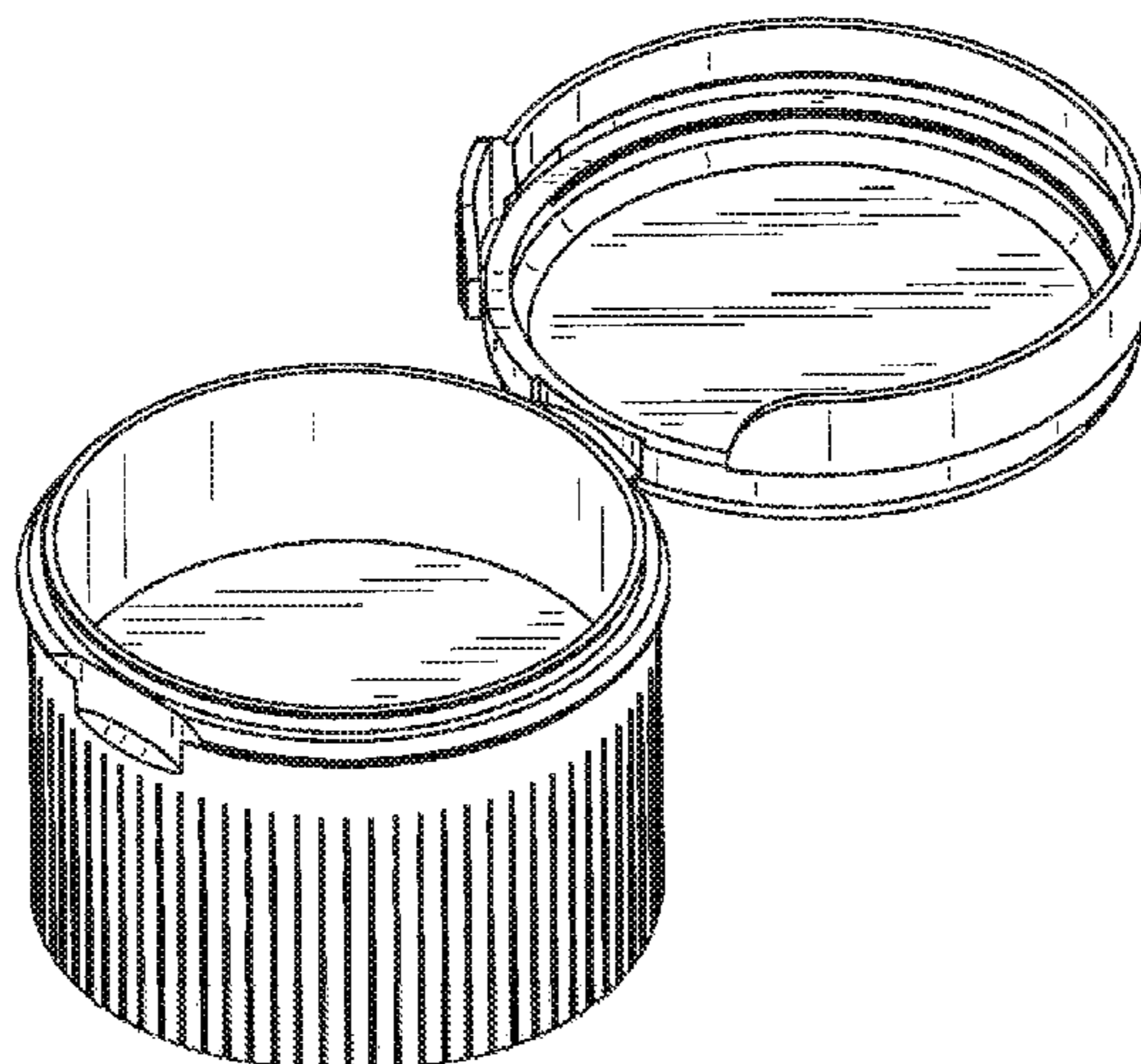
FIG. 12 is a right side elevation view of the bottle cap of FIG. 5;

FIG. 13 is a left side elevation view of the bottle cap of FIG. 5;

FIG. 14 is a top view of the bottle cap of FIG. 5; and,

FIG. 15 is a bottom view of the bottle cap of FIG. 5.

**1 Claim, 8 Drawing Sheets**



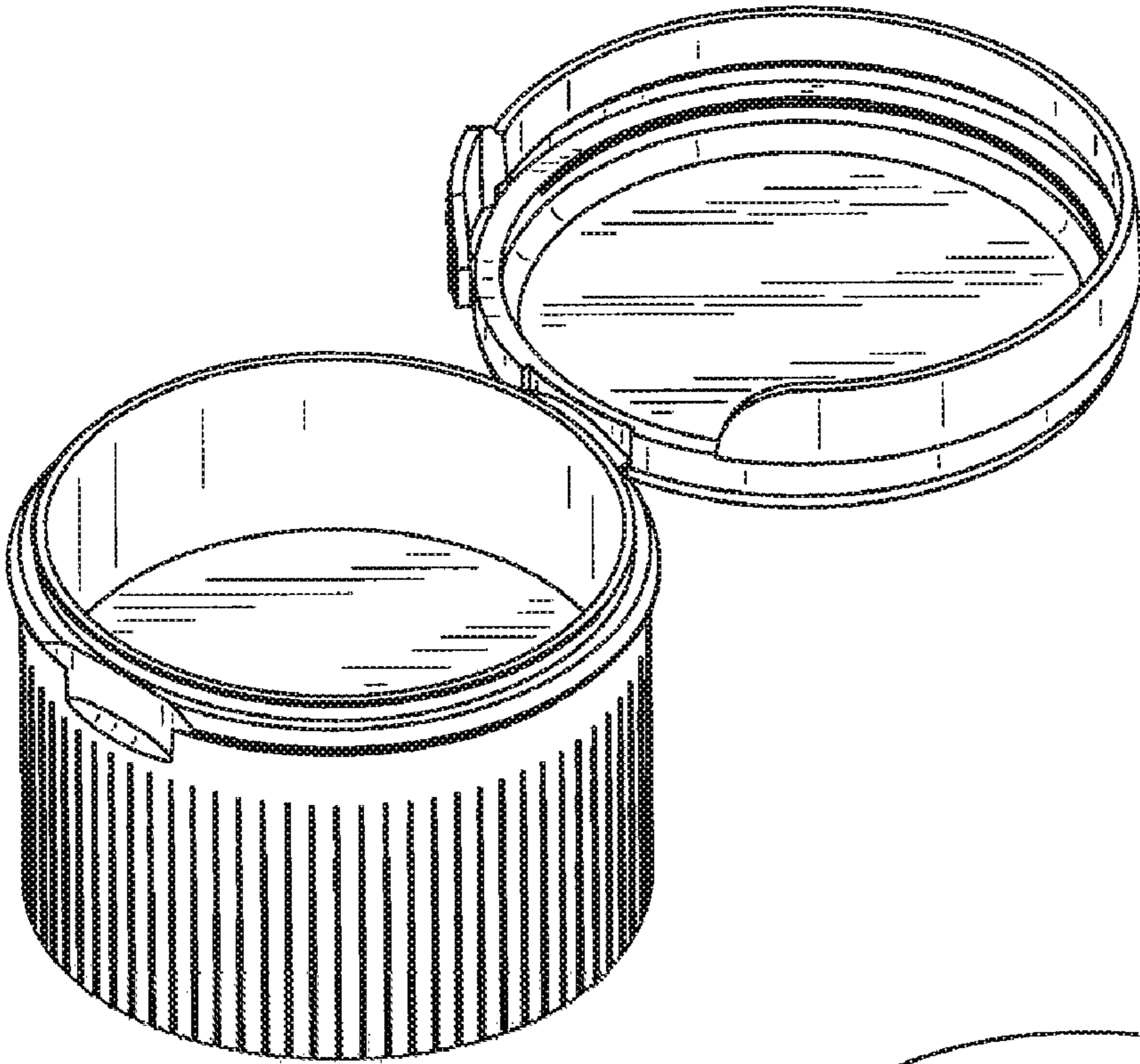


FIG. 1

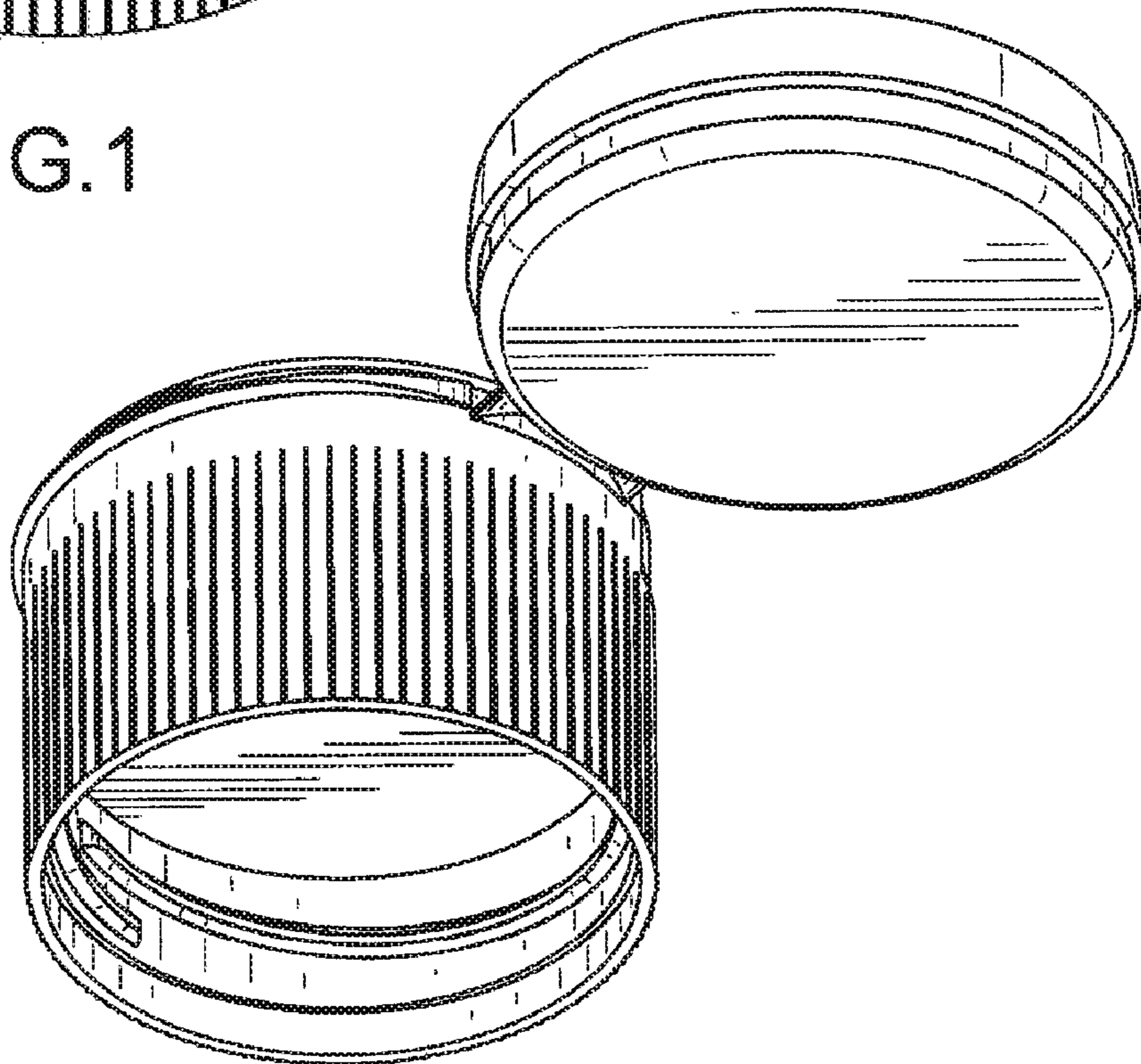


FIG. 2

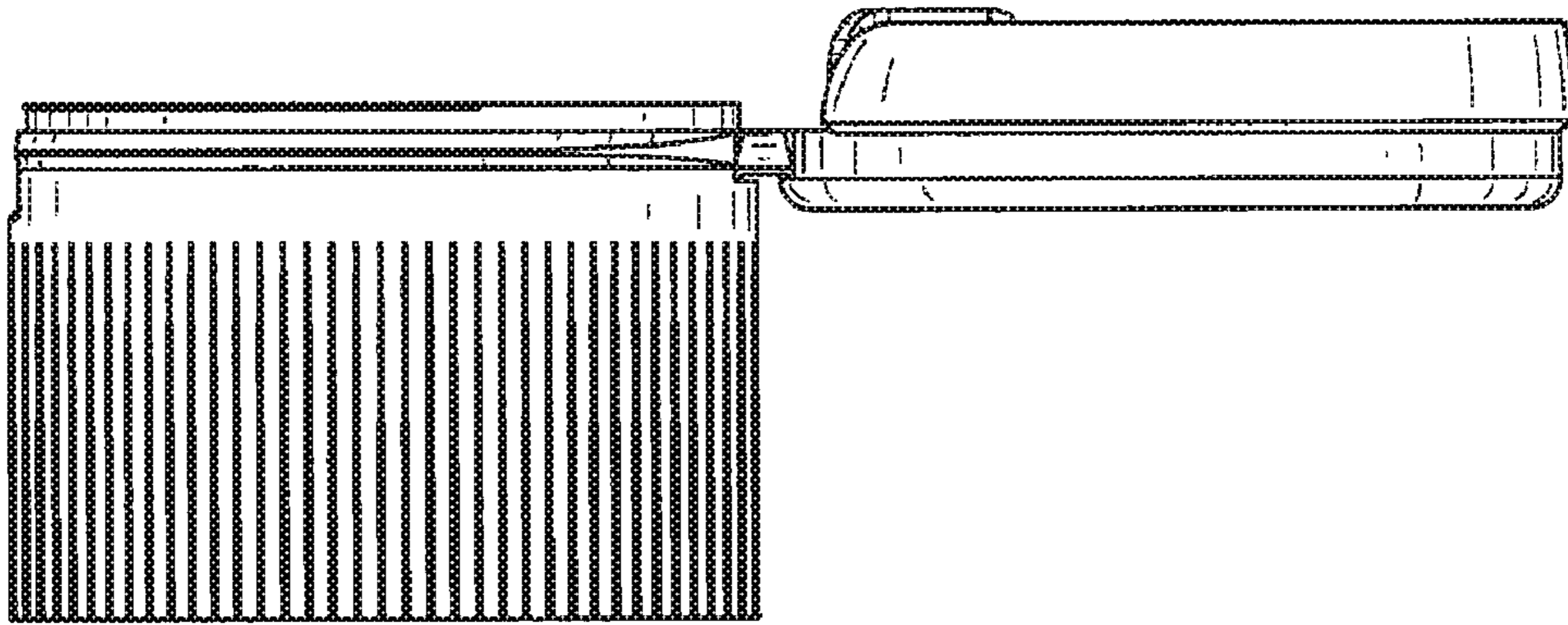


FIG. 3

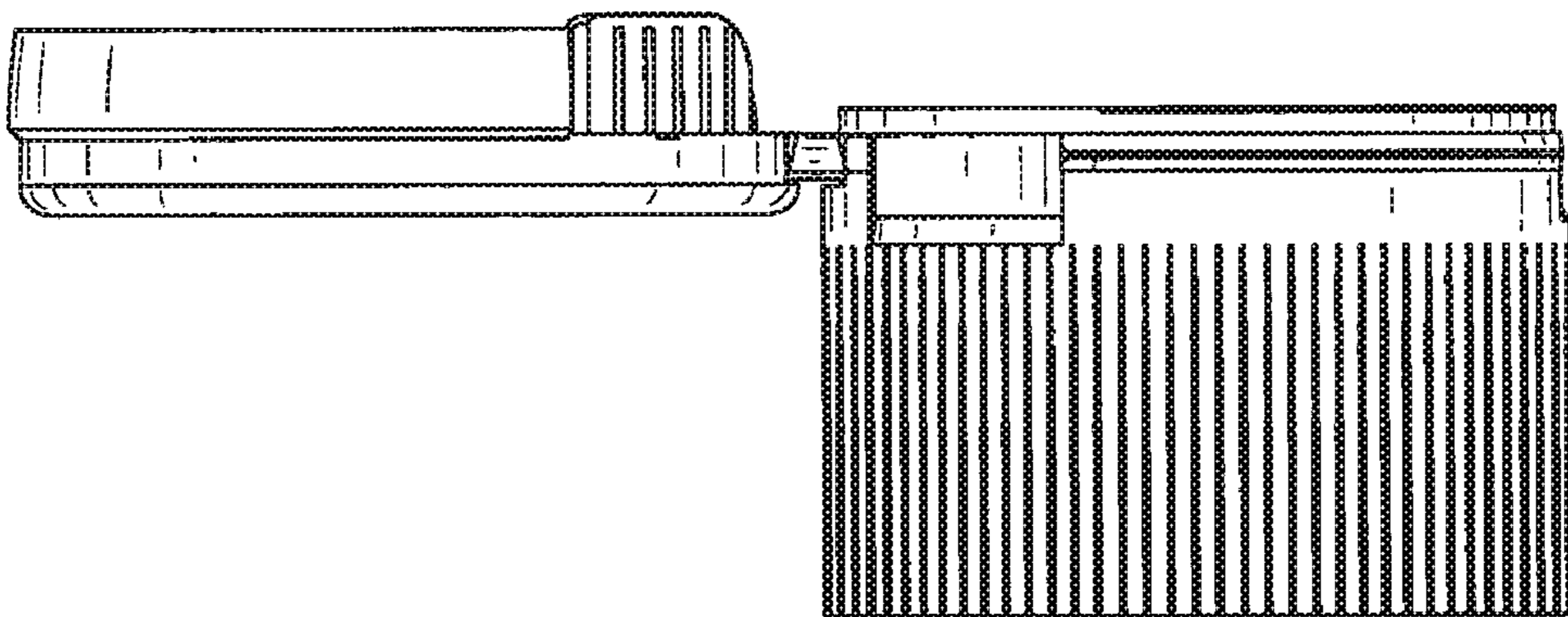


FIG. 4

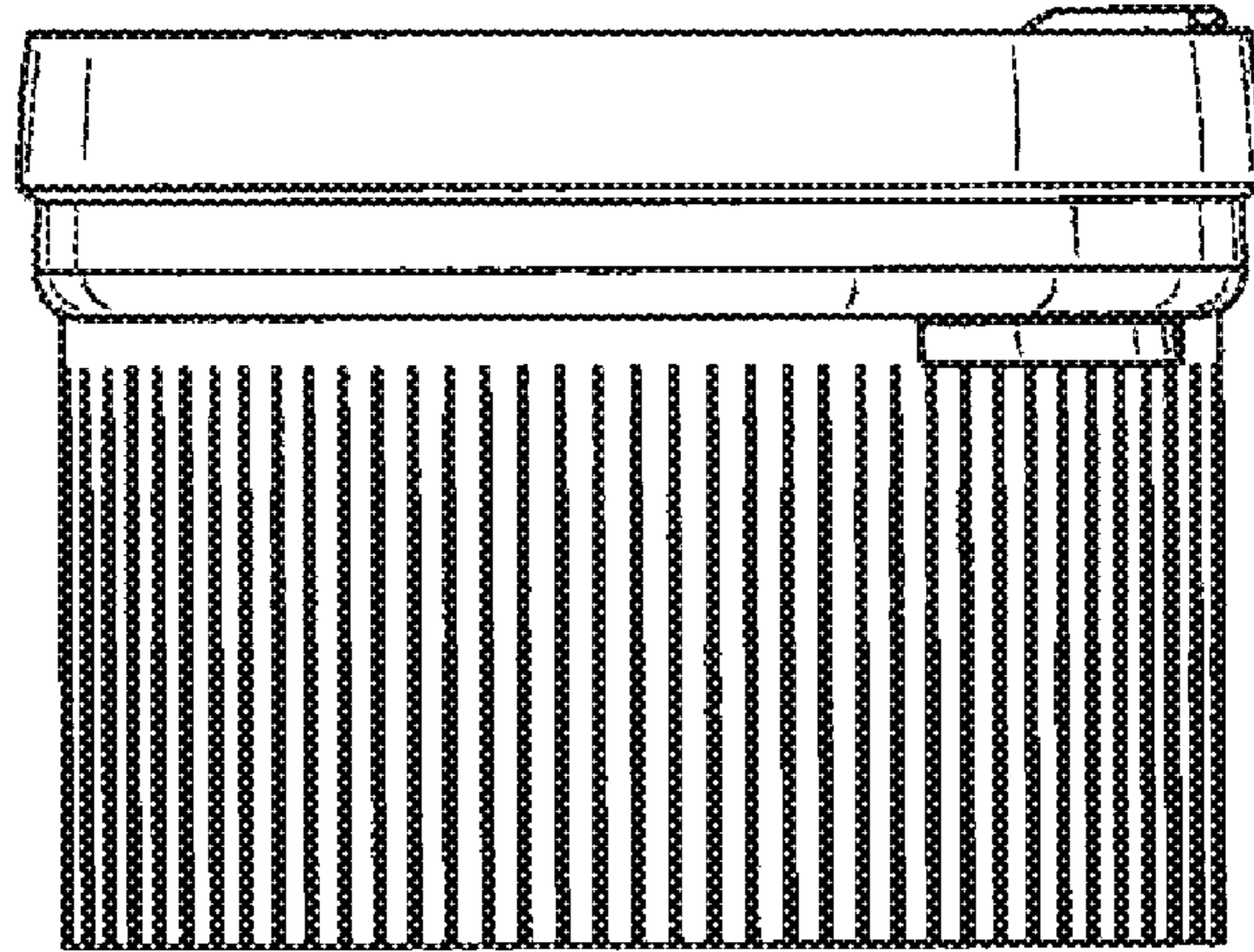


FIG. 5

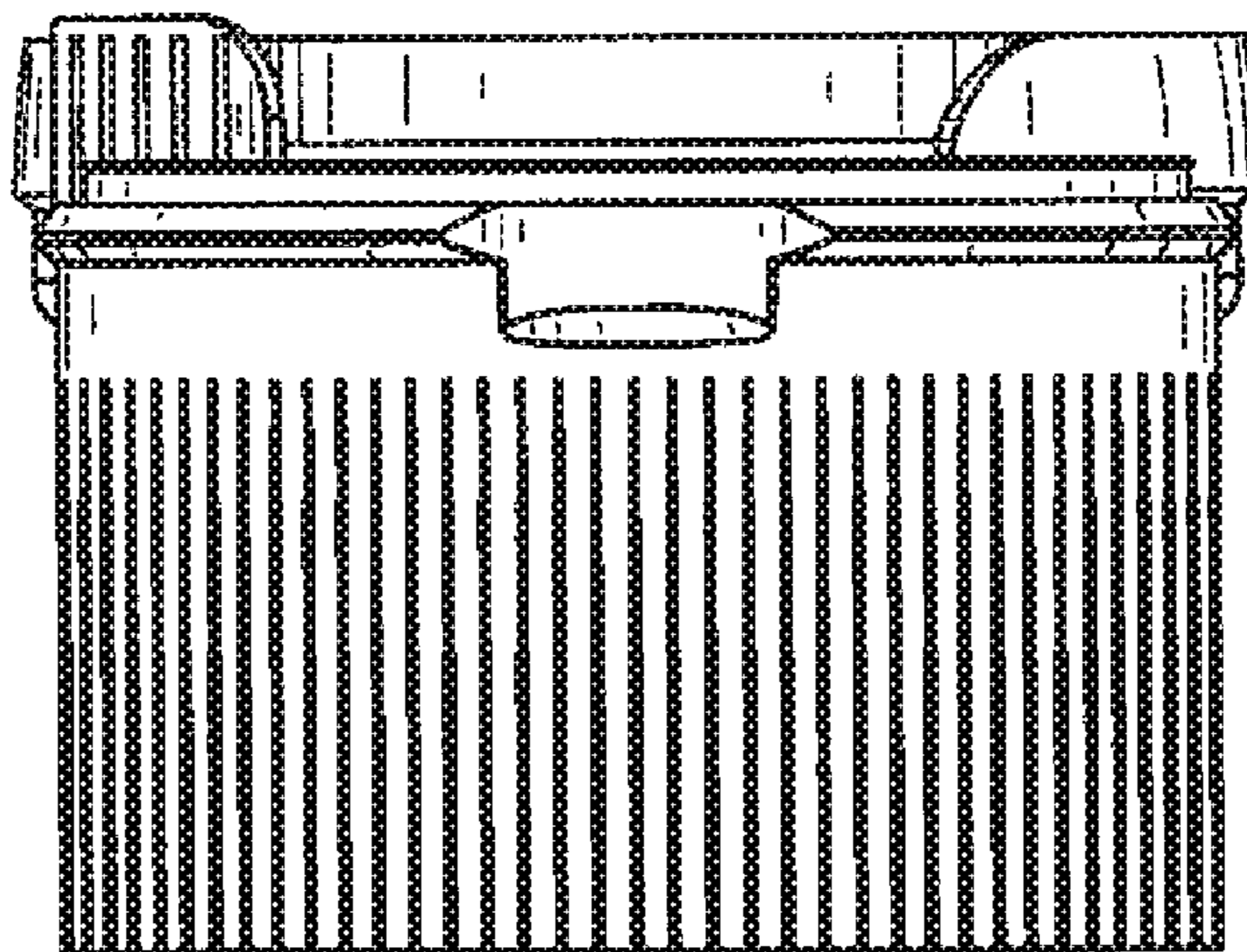


FIG. 6

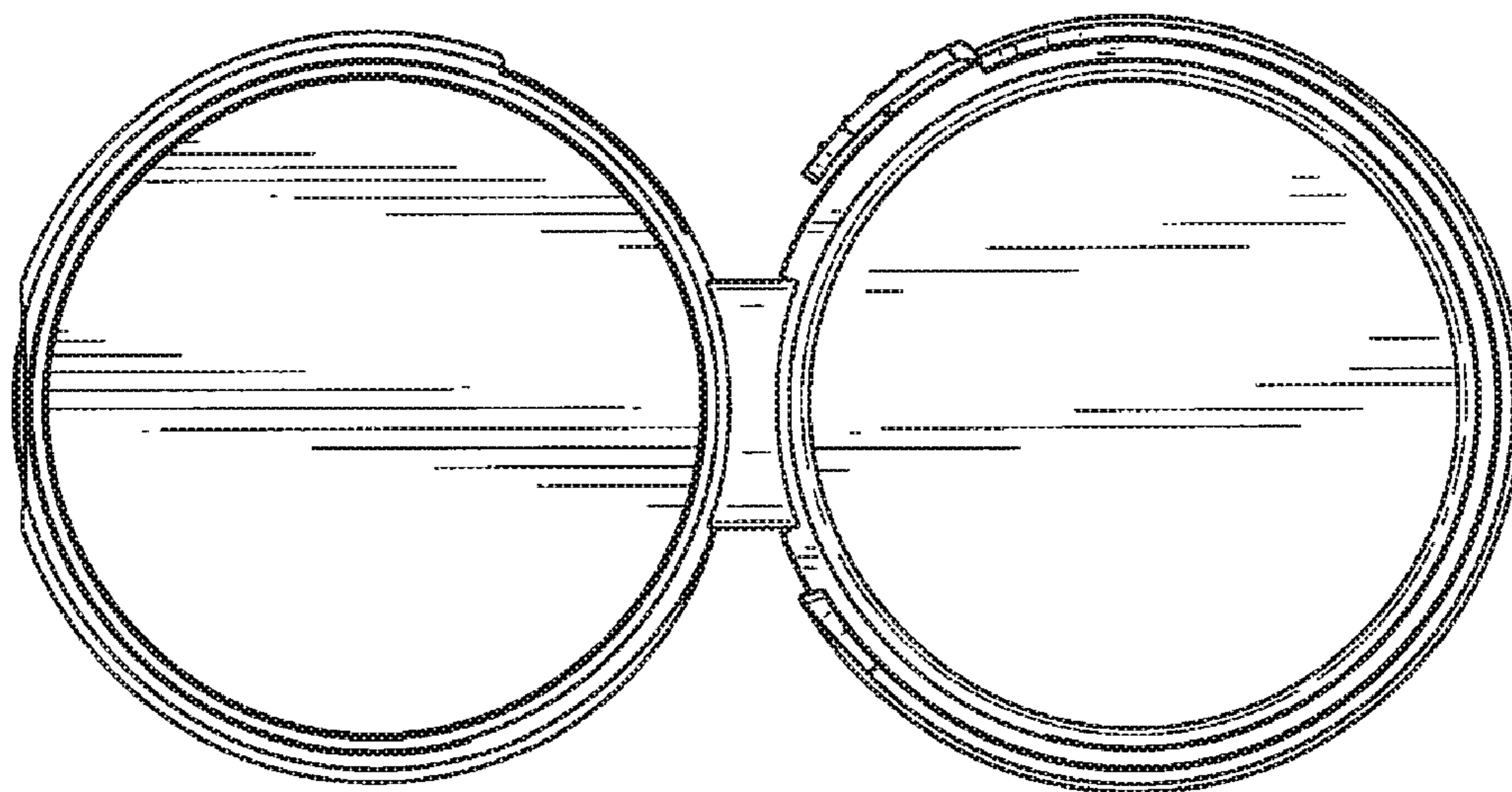


FIG. 7

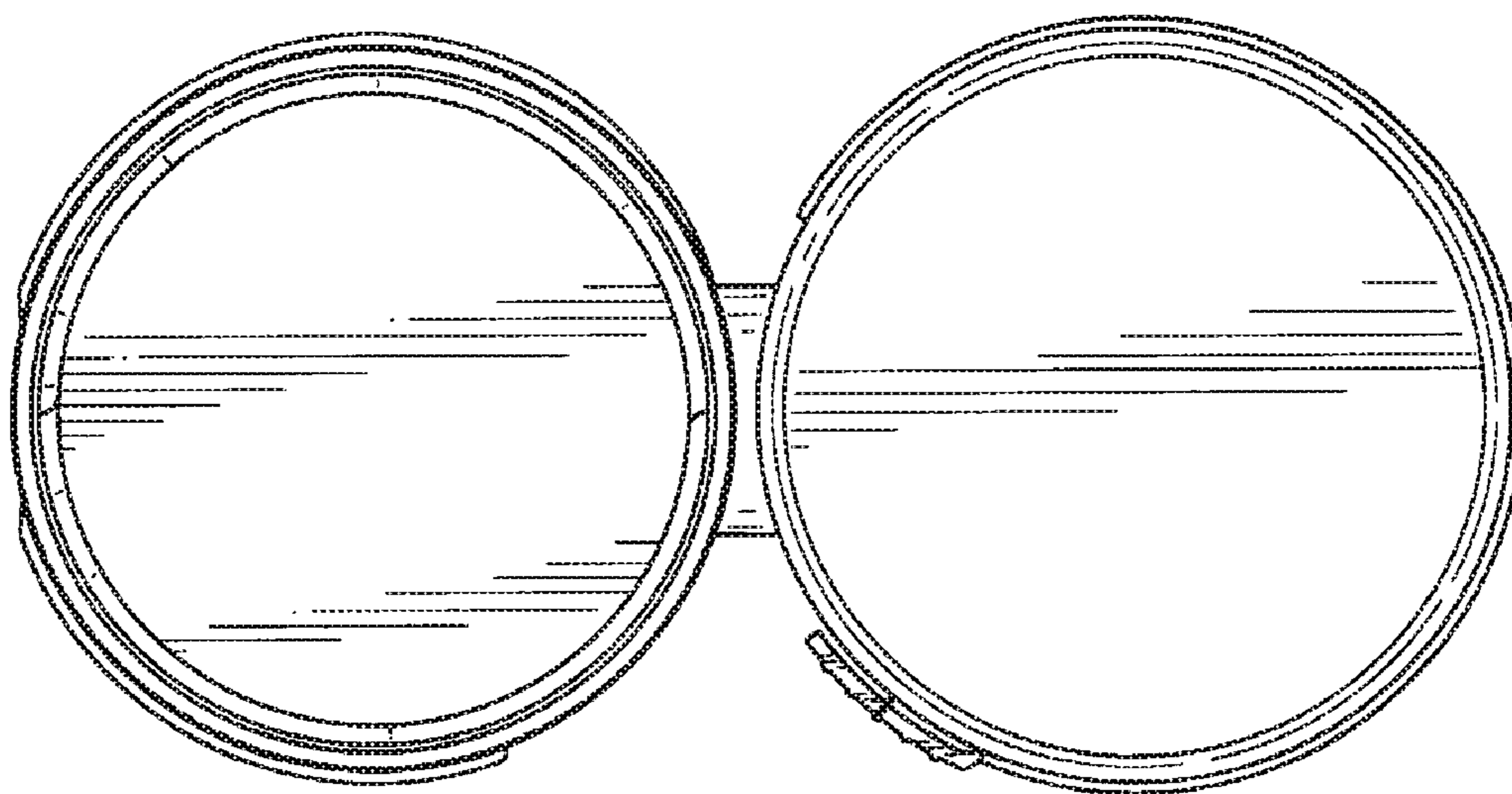


FIG. 8

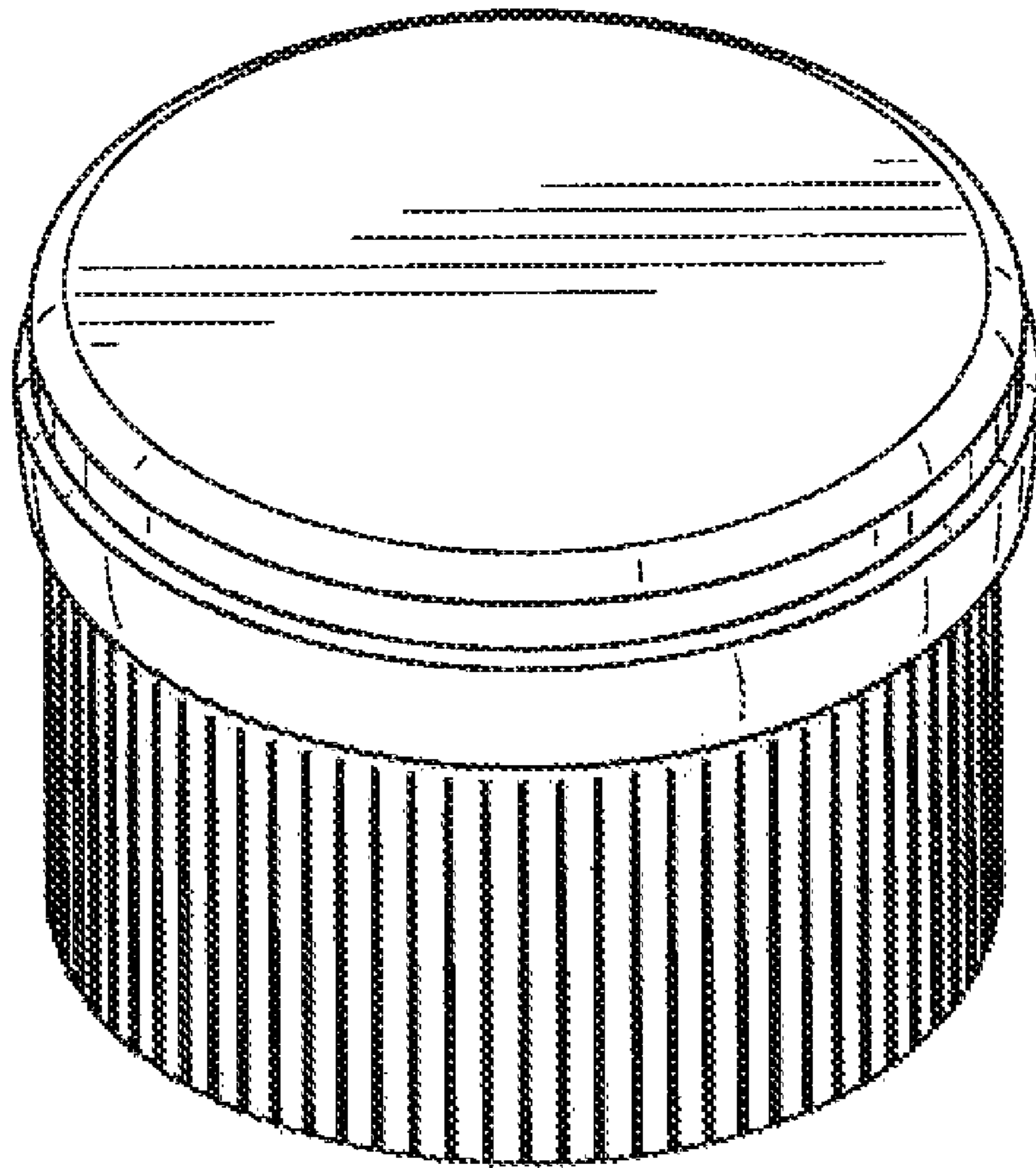


FIG. 9

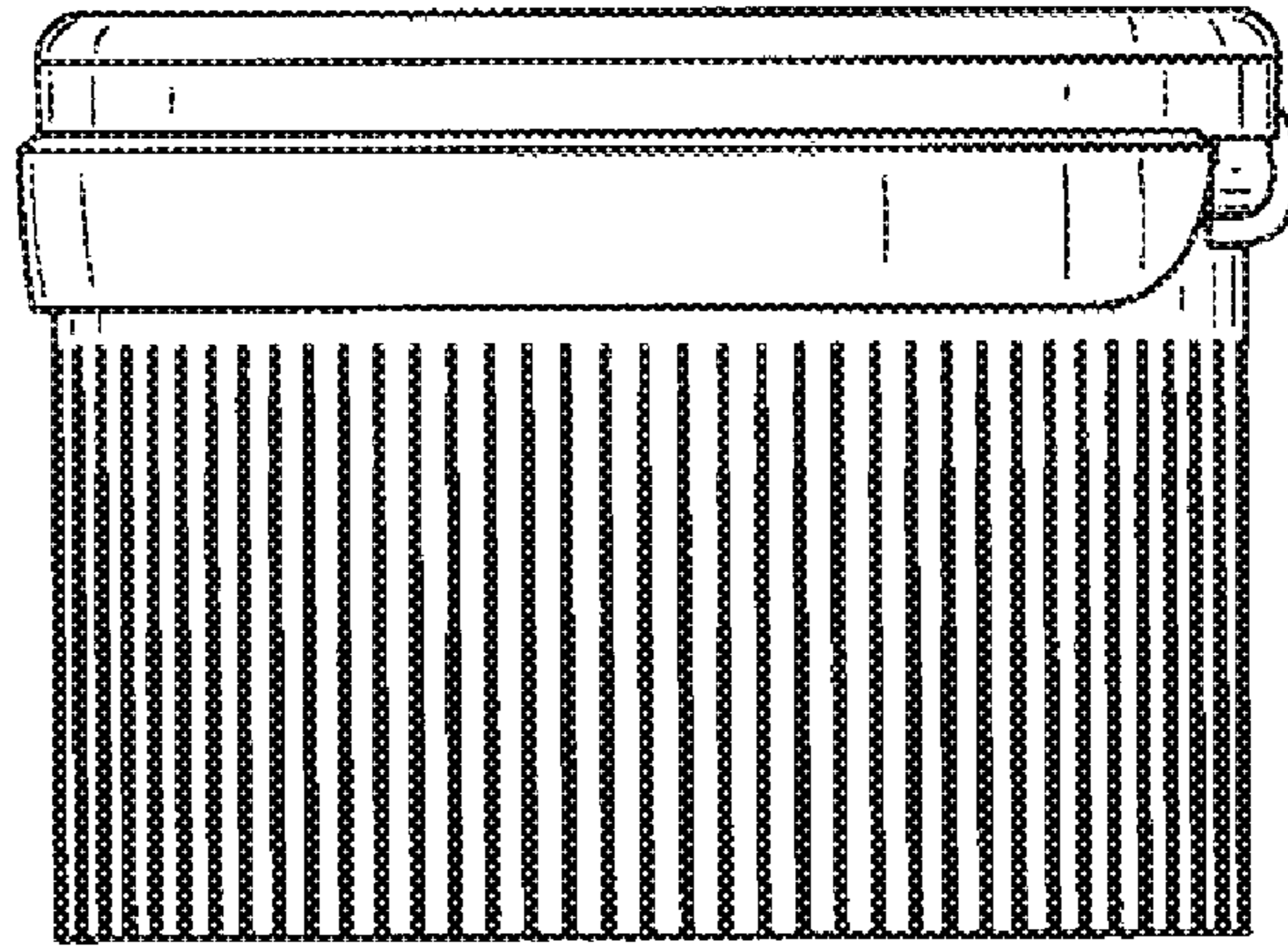


FIG. 10

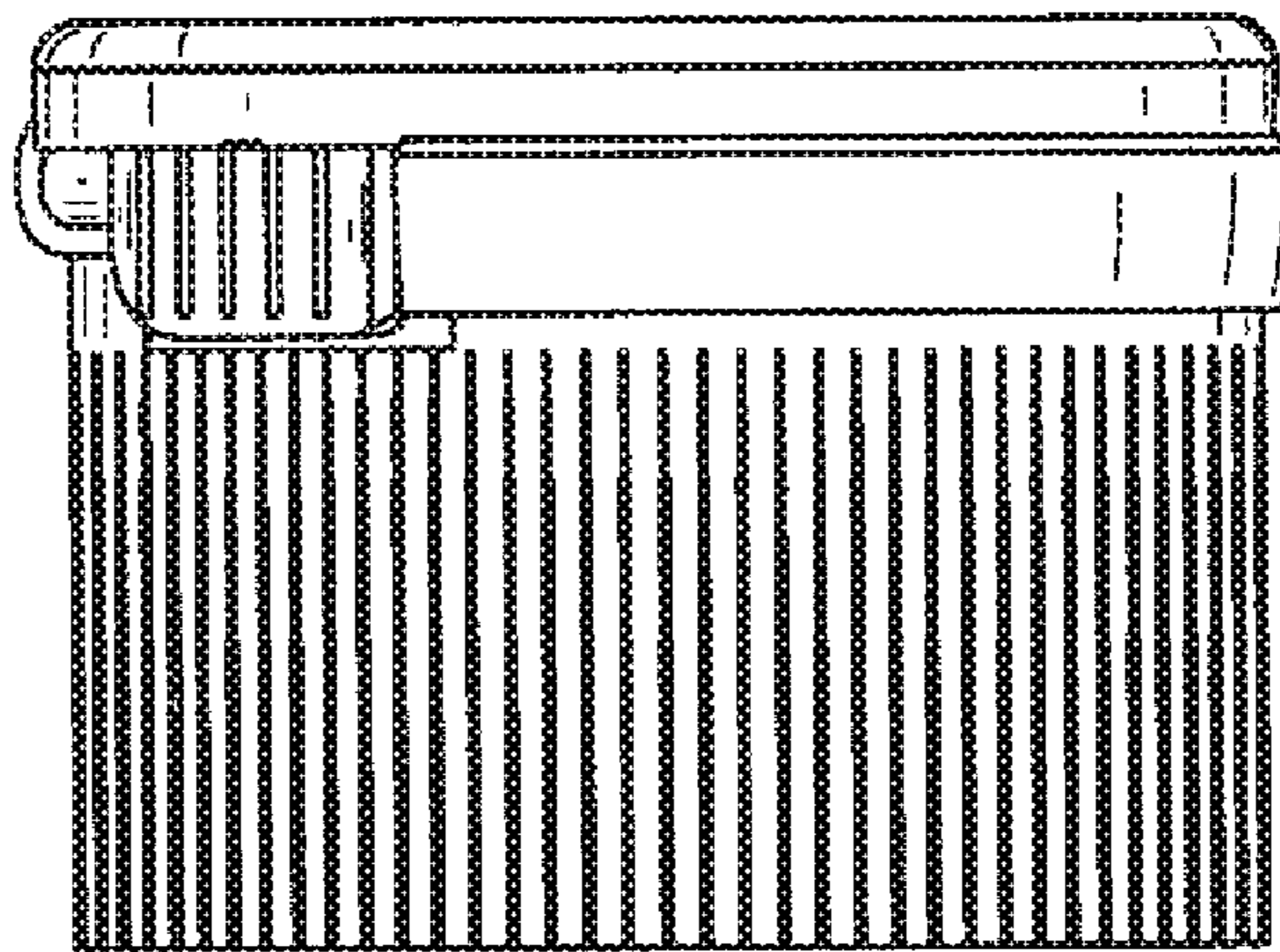


FIG. 11

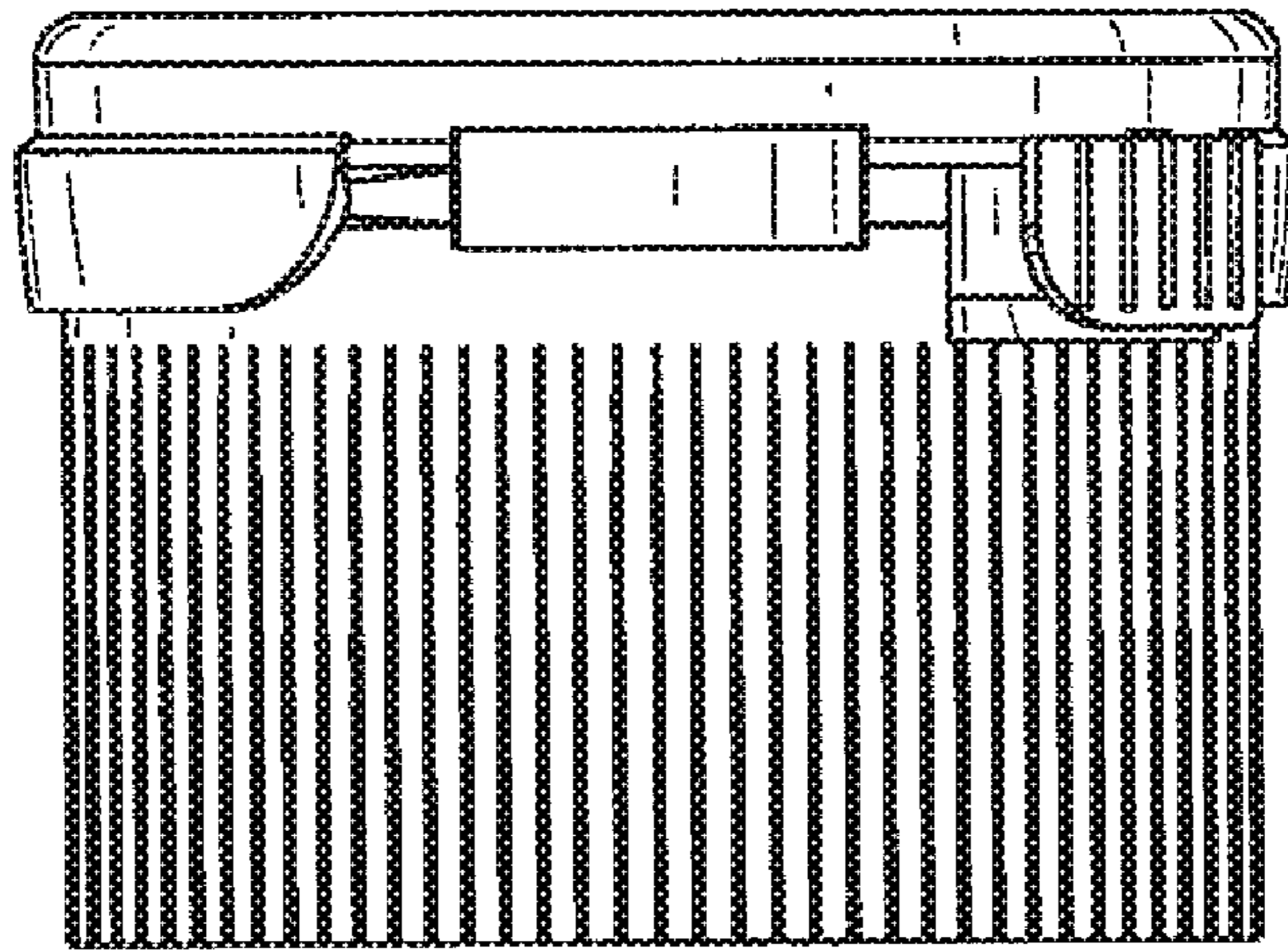


FIG. 12

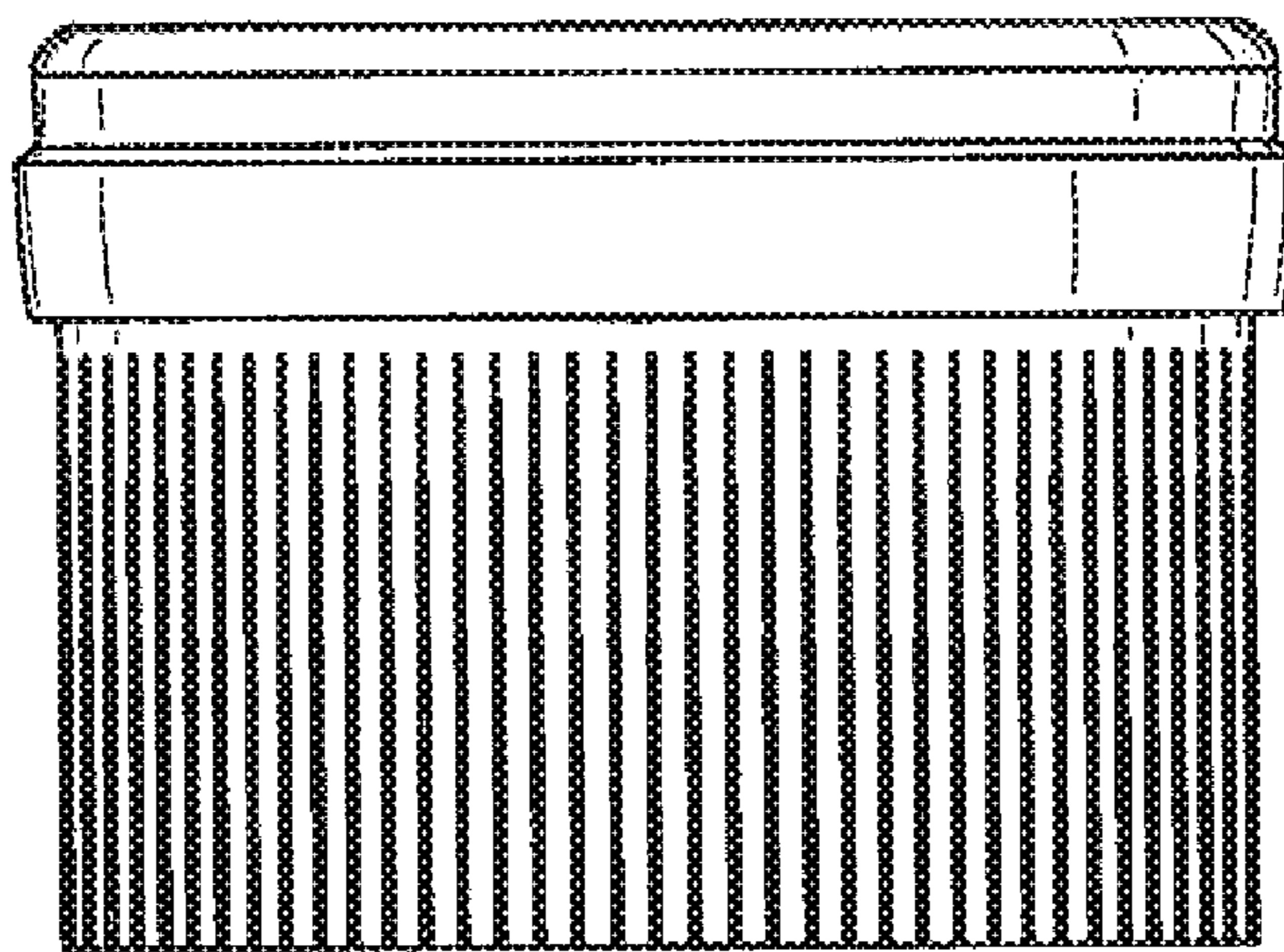


FIG. 13



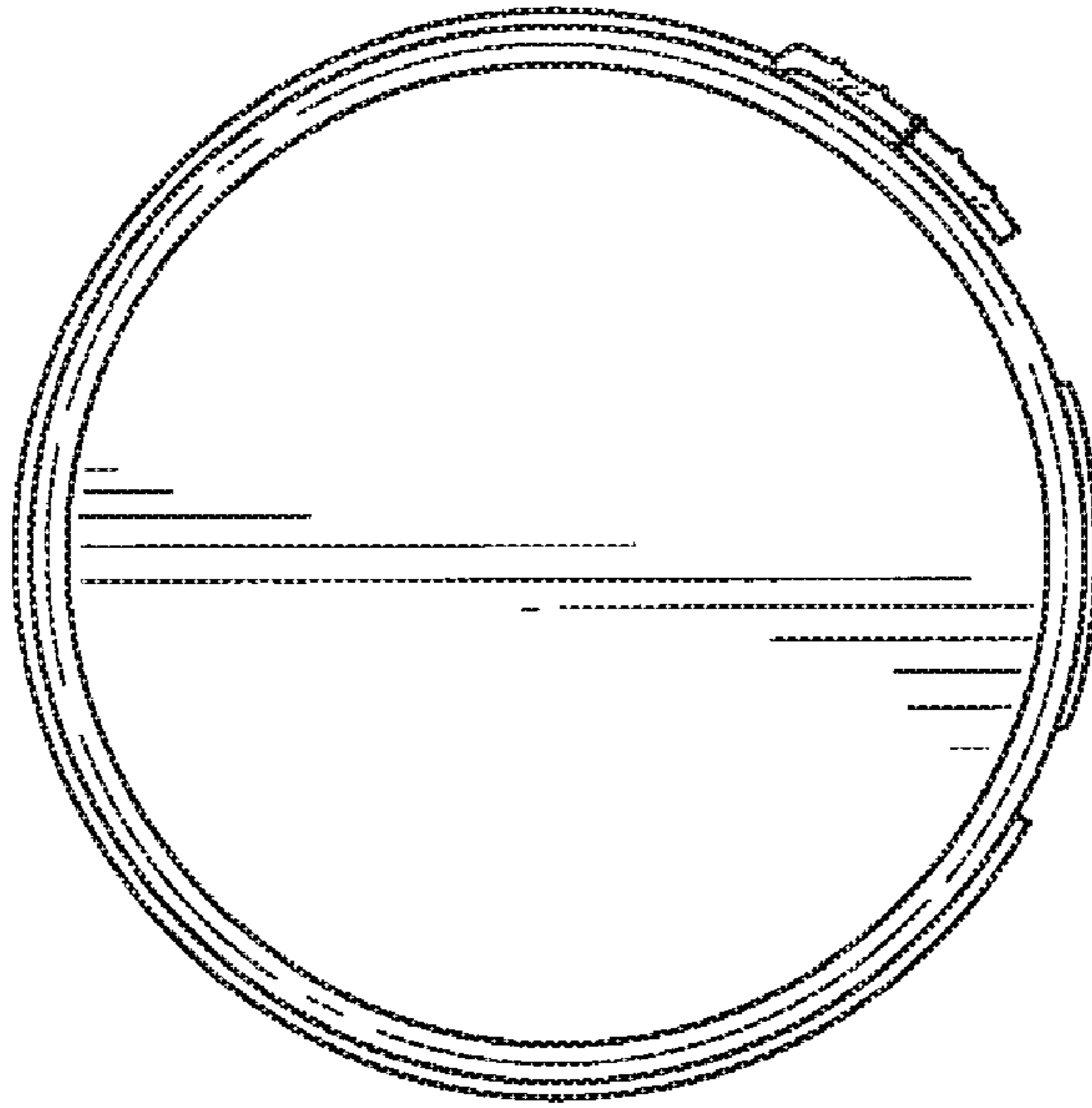


FIG. 14

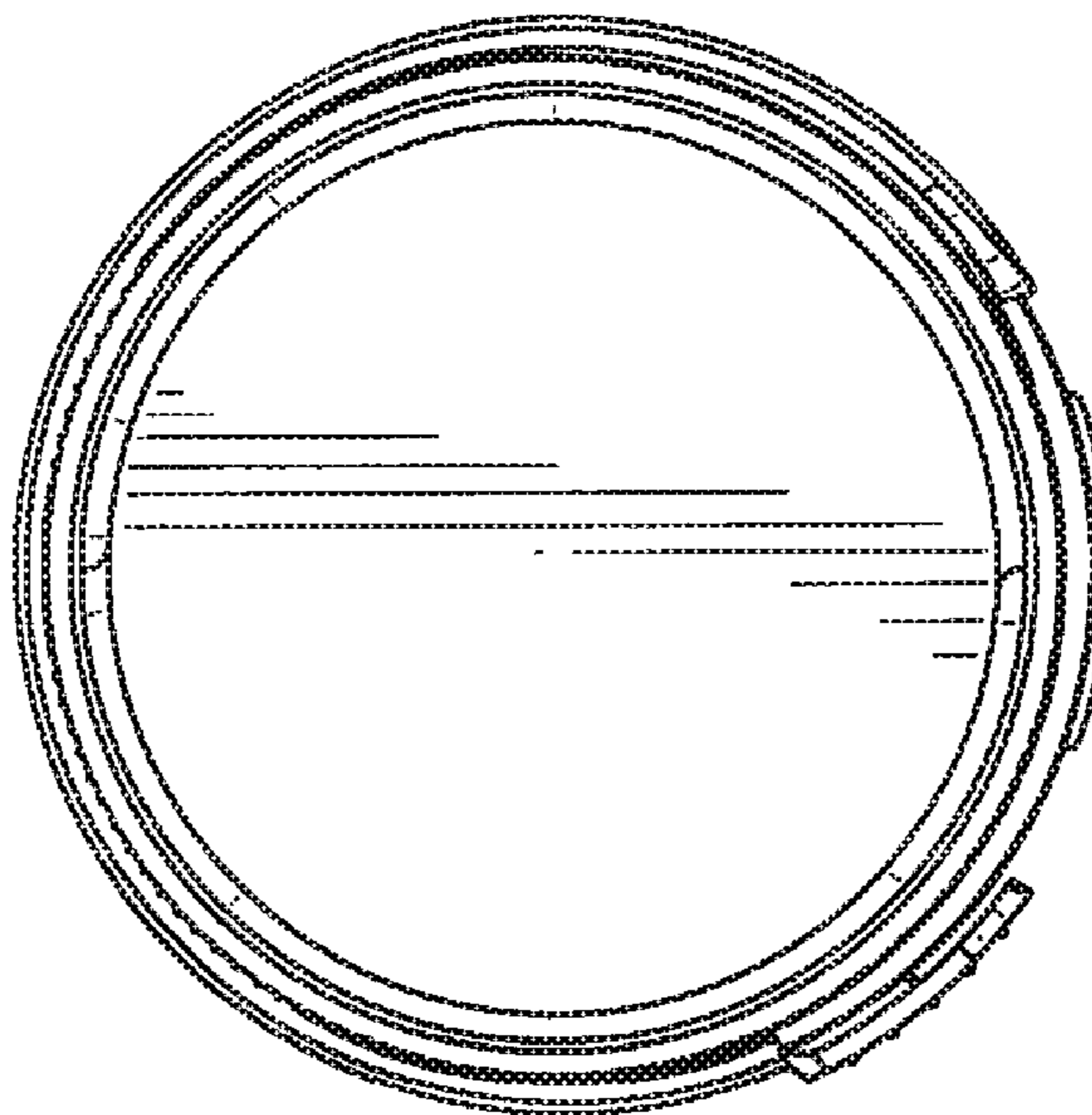


FIG. 15