

US00D576876S

(12) **United States Design Patent**
Mount

(10) **Patent No.:** **US D576,876 S**

(45) **Date of Patent:** **** Sep. 16, 2008**

(54) **BOTTLE CAP**

(57) **CLAIM**

(75) Inventor: **John Fredrick Mount, St. Kilda (AU)**

The ornamental design for a bottle cap, as shown and described.

(73) Assignee: **Sagacity Ventures Pty Ltd (AU)**

(**) Term: **14 Years**

DESCRIPTION

(21) Appl. No.: **29/288,149**

(22) Filed: **May 30, 2007**

(51) **LOC (8) Cl.** **09-07**

(52) **U.S. Cl.** **D9/449**

(58) **Field of Classification Search** D9/453,
D9/450, 449, 446, 438; 222/571, 567, 566,
222/545, 544, 484, 481.5, 480; 220/810;
215/556, 235; D28/82

See application file for complete search history.

(56) **References Cited**

U.S. PATENT DOCUMENTS

3,252,492	A *	5/1966	Marchant	215/235
5,899,361	A *	5/1999	Durliat et al.	222/556
D444,387	S *	7/2001	Adachi et al.	D9/529
6,311,878	B1 *	11/2001	Kimble et al.	222/556
D457,426	S *	5/2002	Montana	D9/420
D525,526	S *	7/2006	Abbott et al.	D9/449
2005/0279753	A1 *	12/2005	Timm et al.	220/810

* cited by examiner

Primary Examiner—Gary D. Watson

Assistant Examiner—Susan Bennett Hattan

FIG. 1 is a side elevational view with the top open of a bottle cap showing my new design, the opposite being a mirror image thereof;

FIG. 2 is a front elevational view thereof with the top open;

FIG. 3 is a top plan view thereof with the top open;

FIG. 4 is a front perspective view thereof with the top open;

FIG. 5 is a bottom perspective view thereof with the top open;

FIG. 6 is a side elevational view thereof with the top closed, the opposite being a mirror image thereof;

FIG. 7 is a front elevational view thereof with the top closed;

FIG. 8 is a front cross-sectional view thereof with the top closed taken along line 8—8 in FIG. 6;

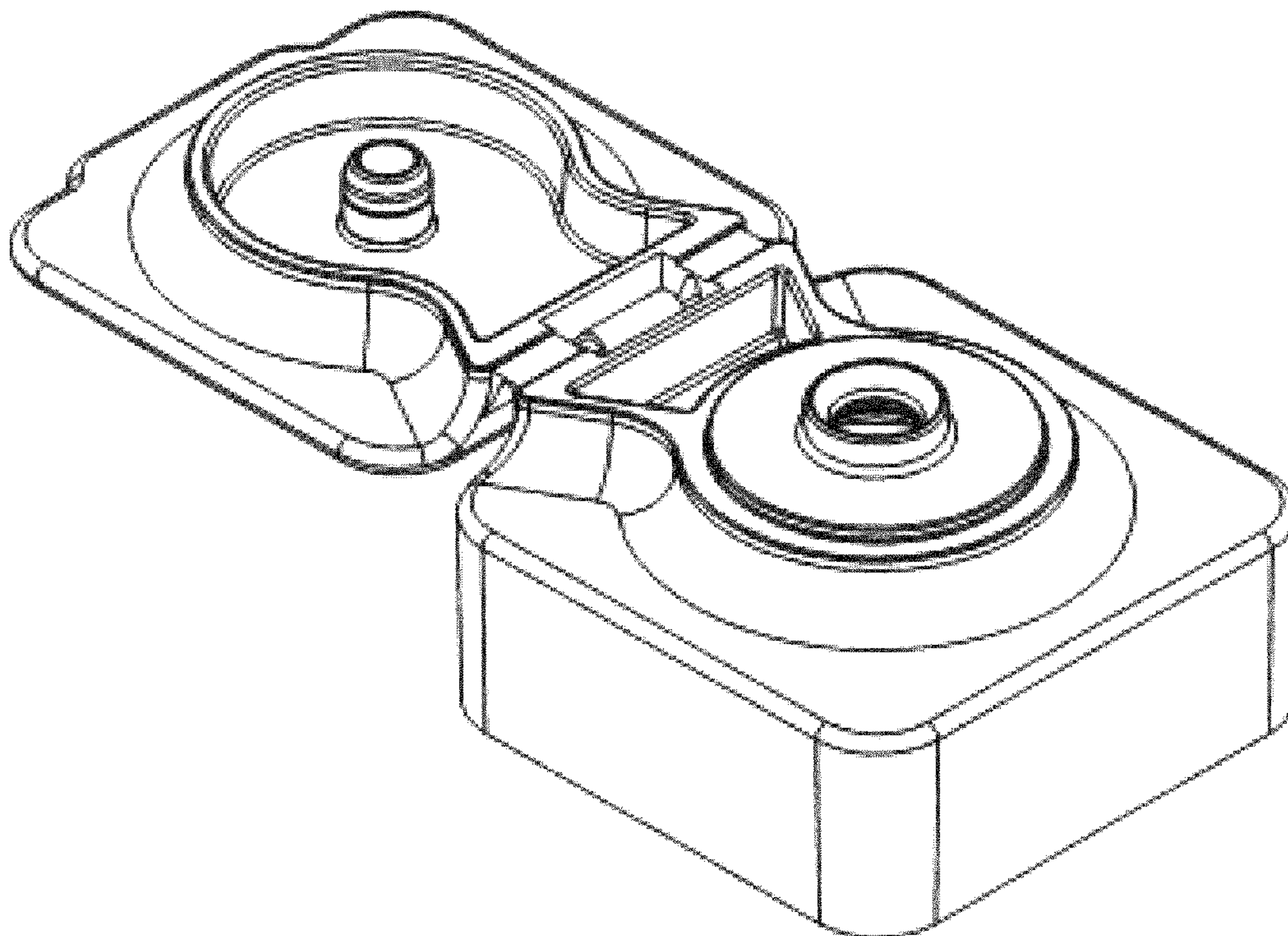
FIG. 9 is a top plan view thereof with the top closed;

FIG. 10 is a side perspective view thereof with the top closed;

FIG. 11 is a side cross-sectional view thereof with the top closed, the opposite being a mirror image thereof taken along line 11—11 in FIG. 9; and,

FIG. 12 is a bottom perspective view thereof with the top closed.

1 Claim, 7 Drawing Sheets



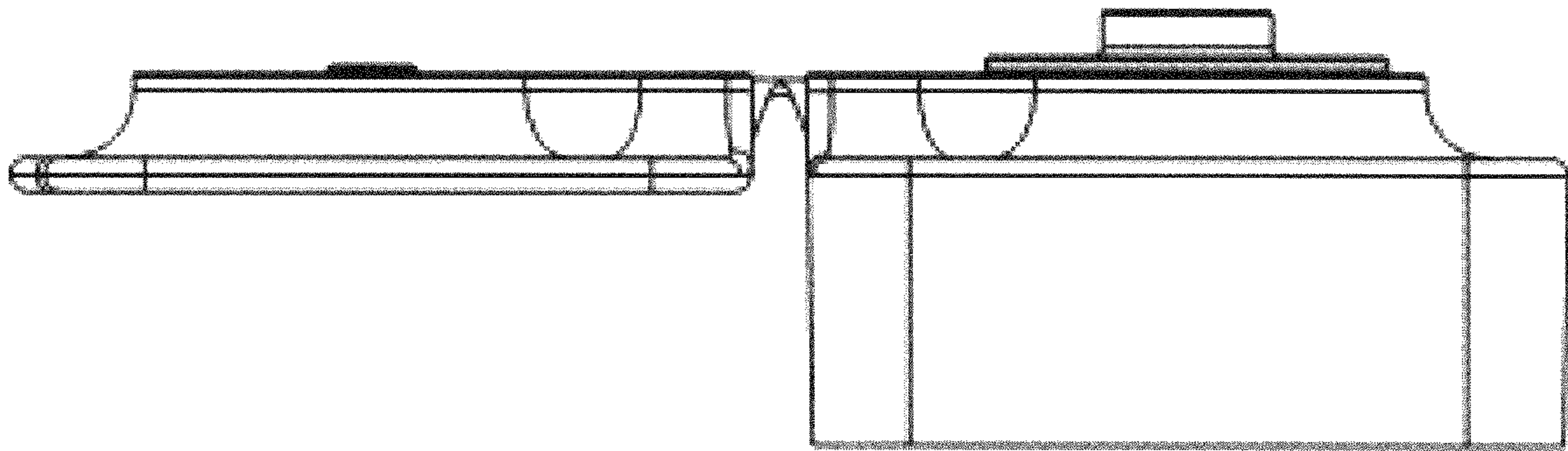


Fig. 1

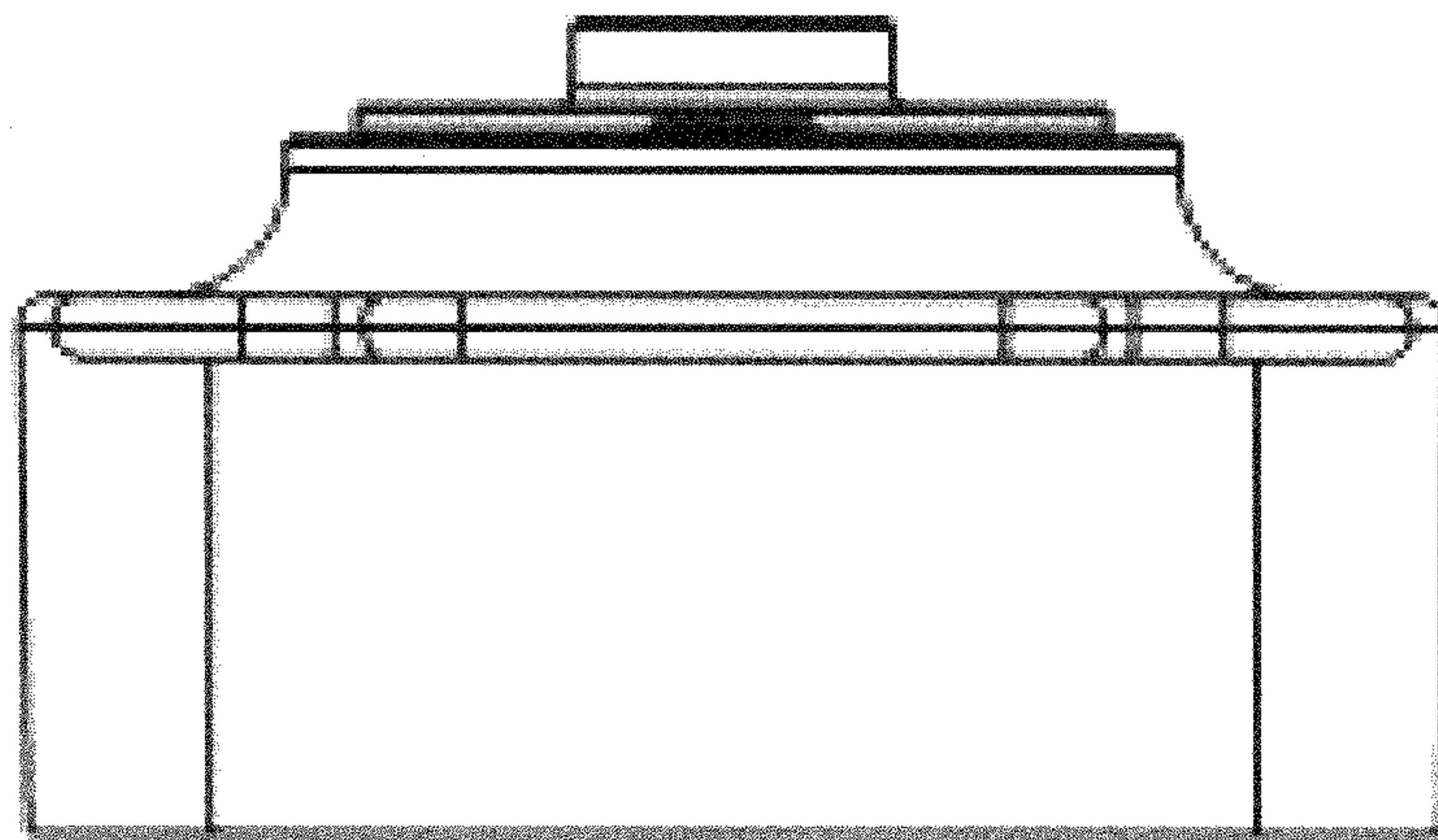


Fig. 2

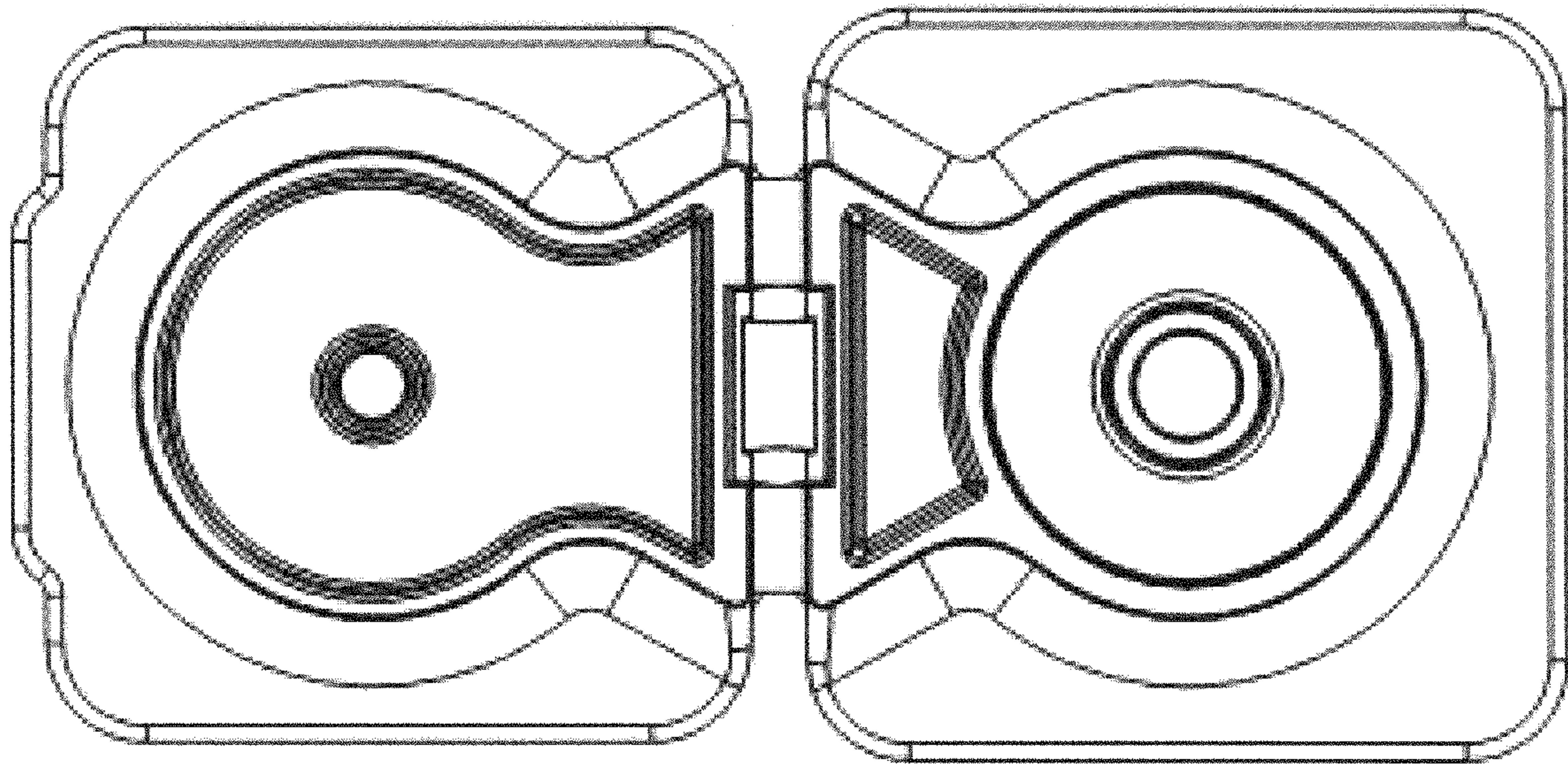


Fig. 3

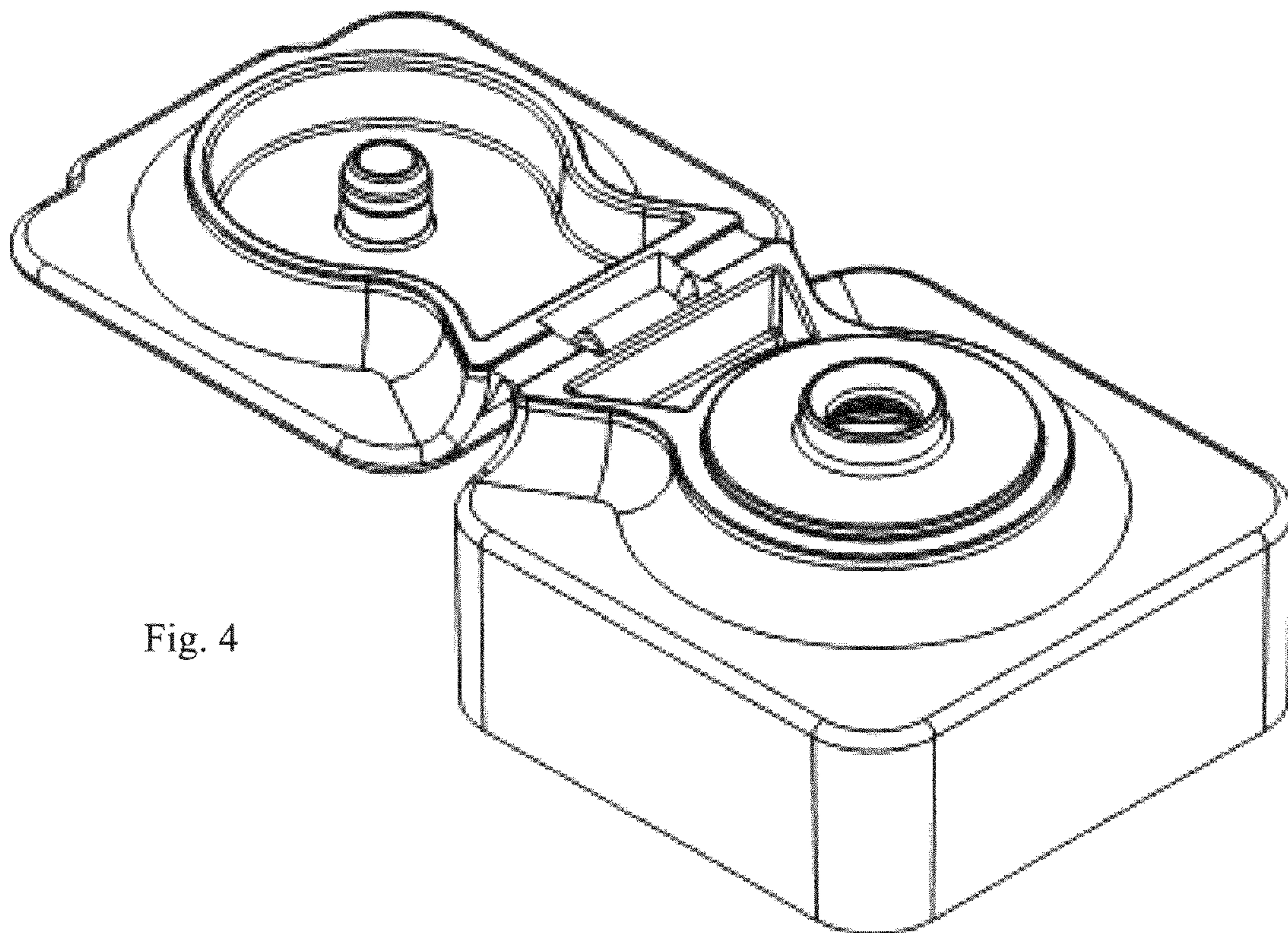


Fig. 4

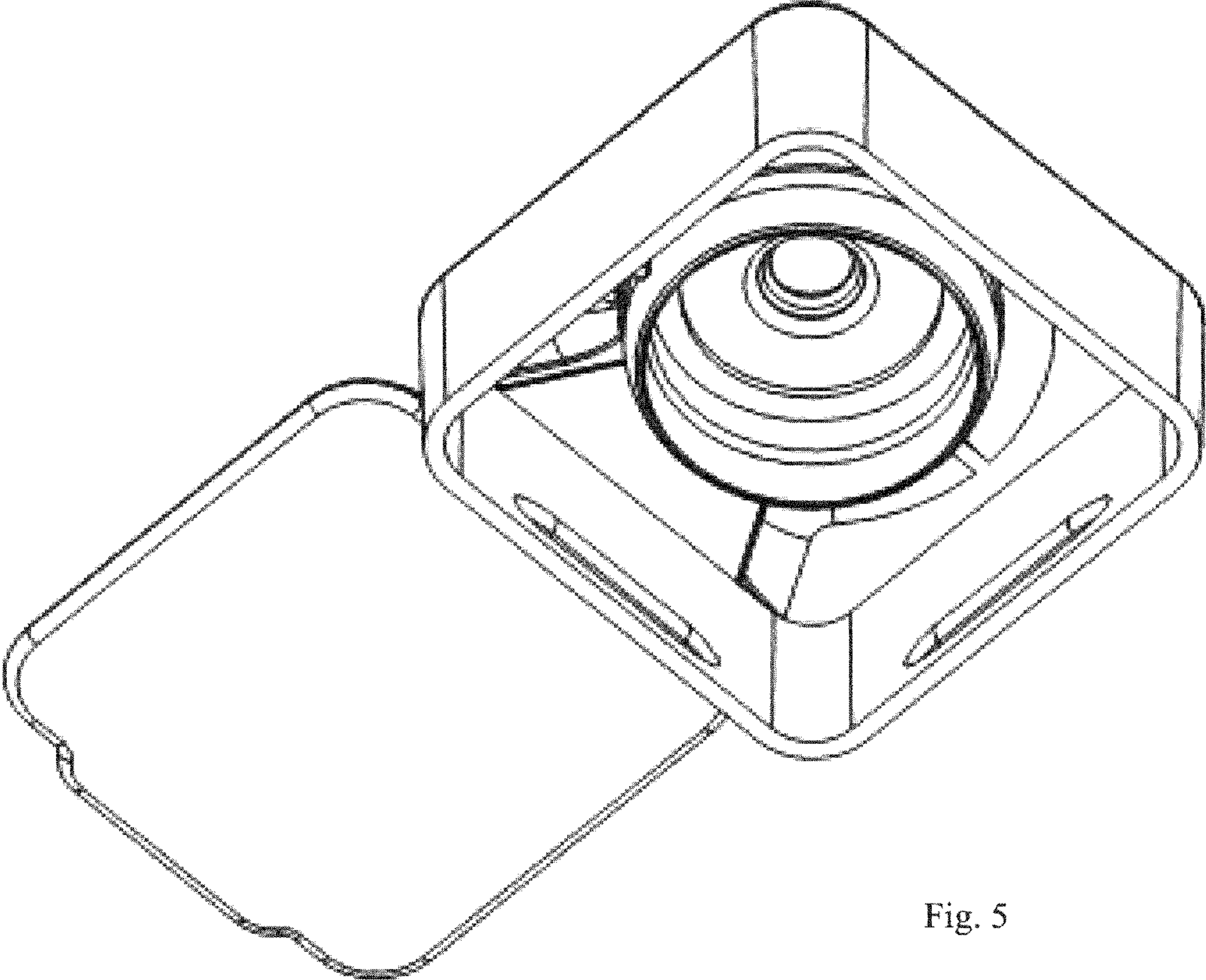


Fig. 5

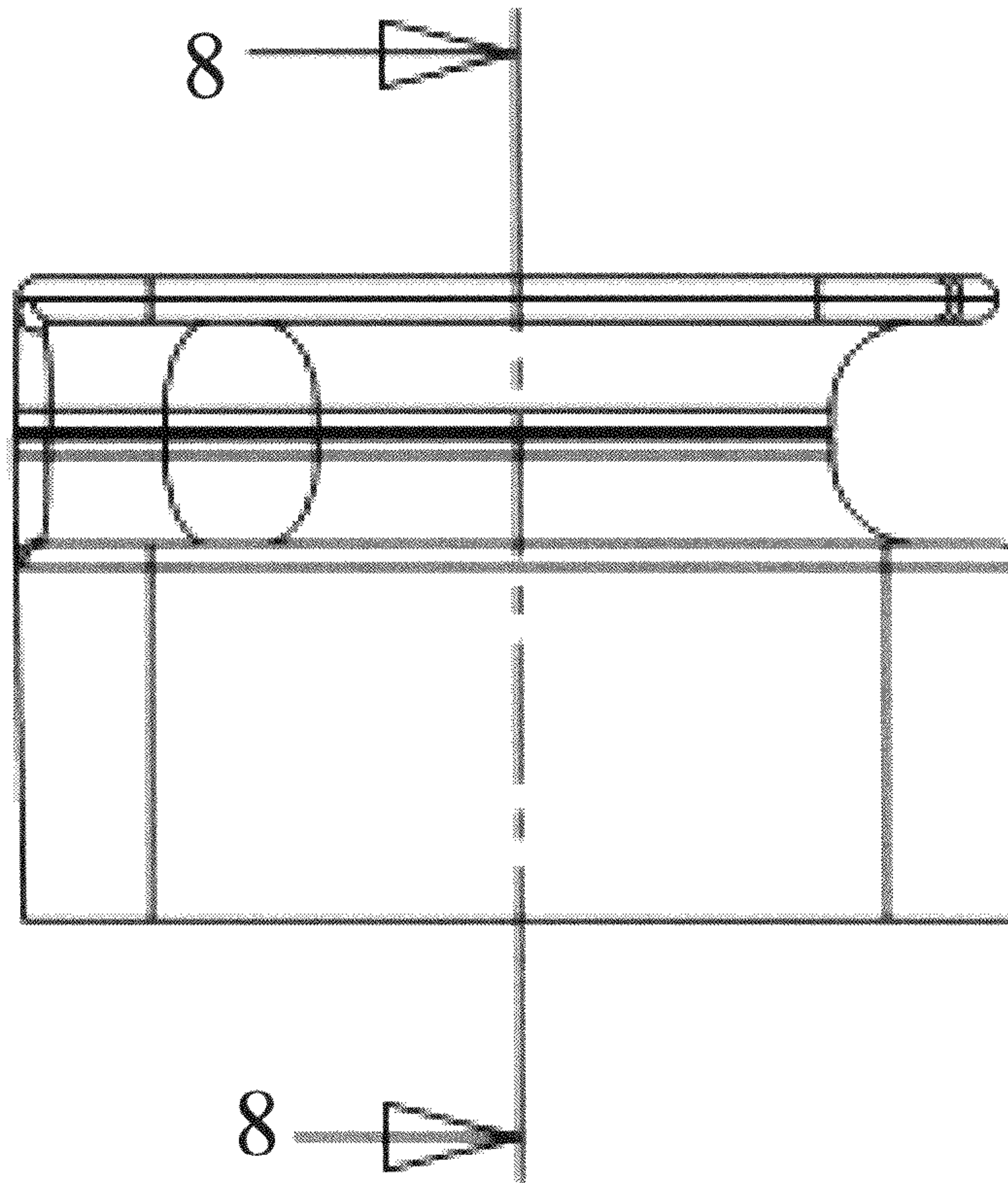


Fig. 6

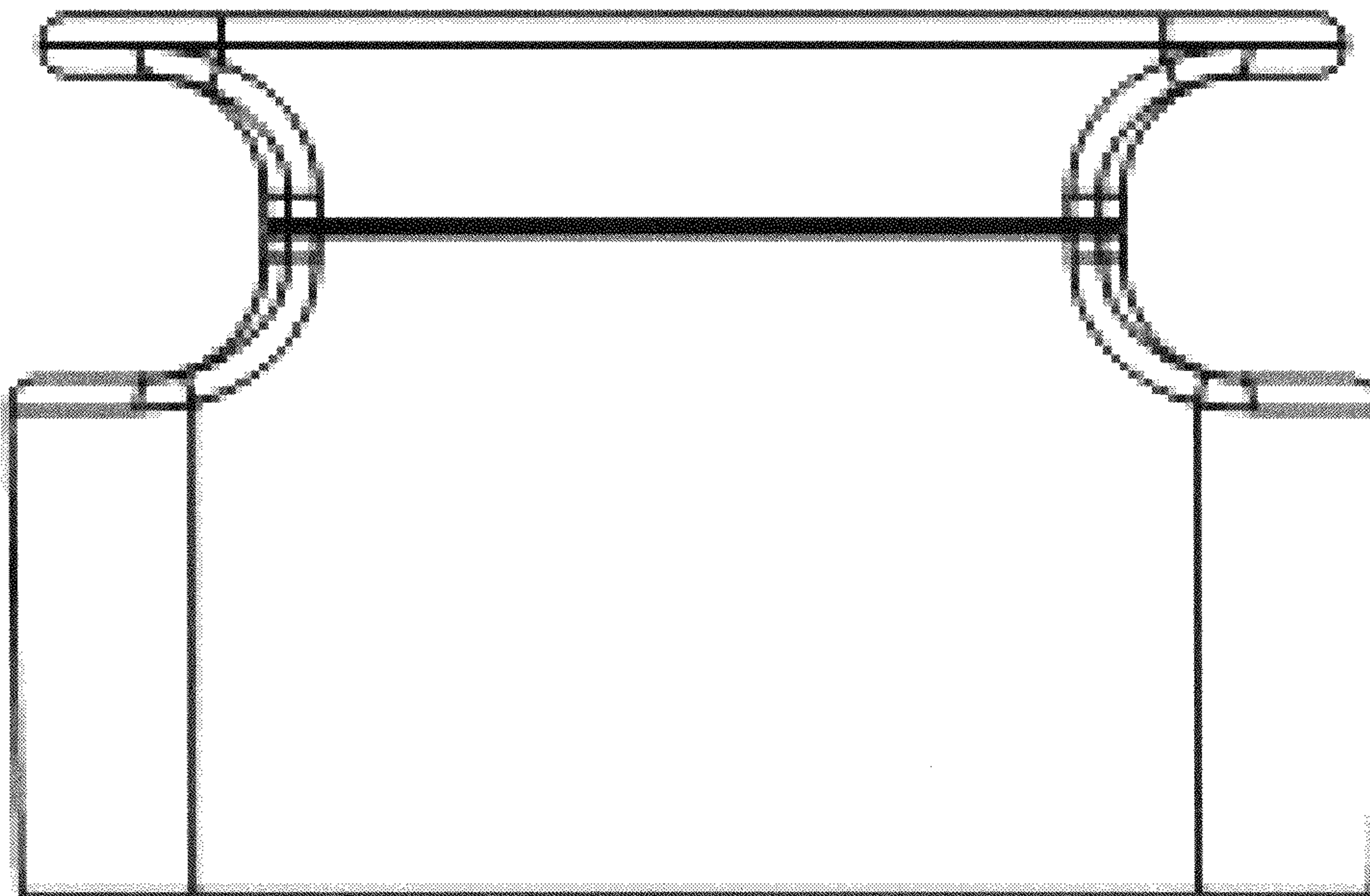


Fig. 7

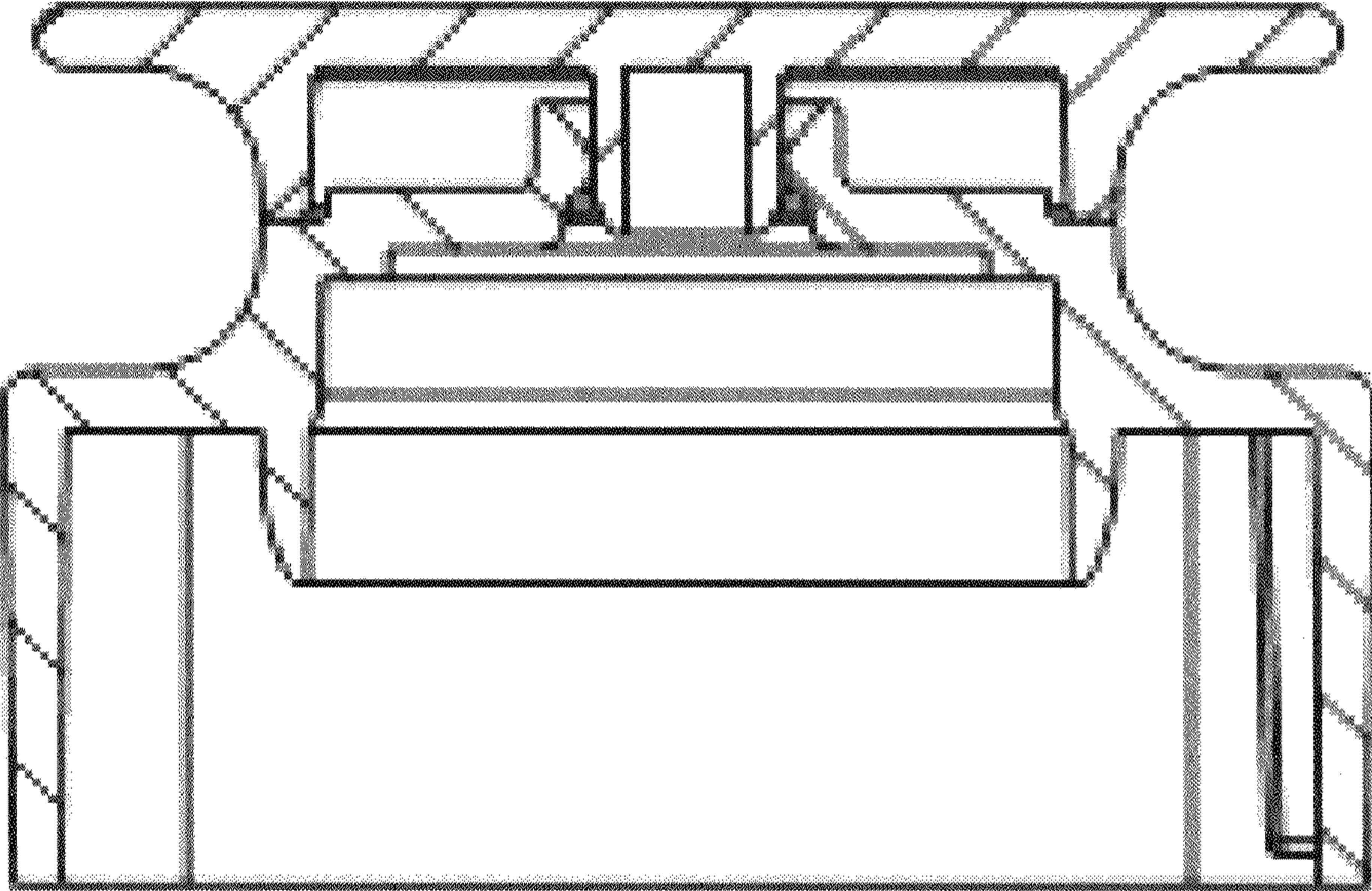


Fig. 8

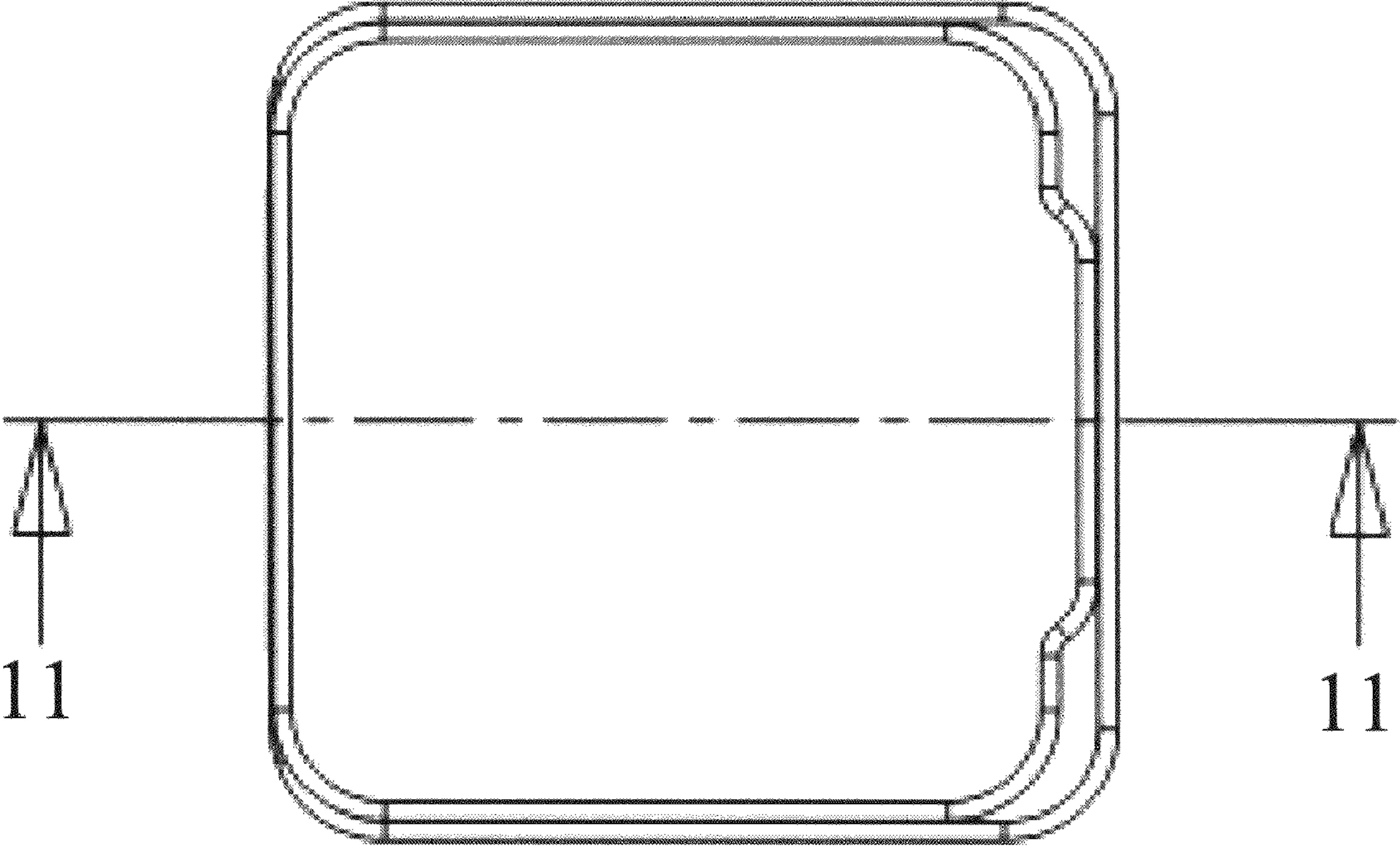


Fig. 9

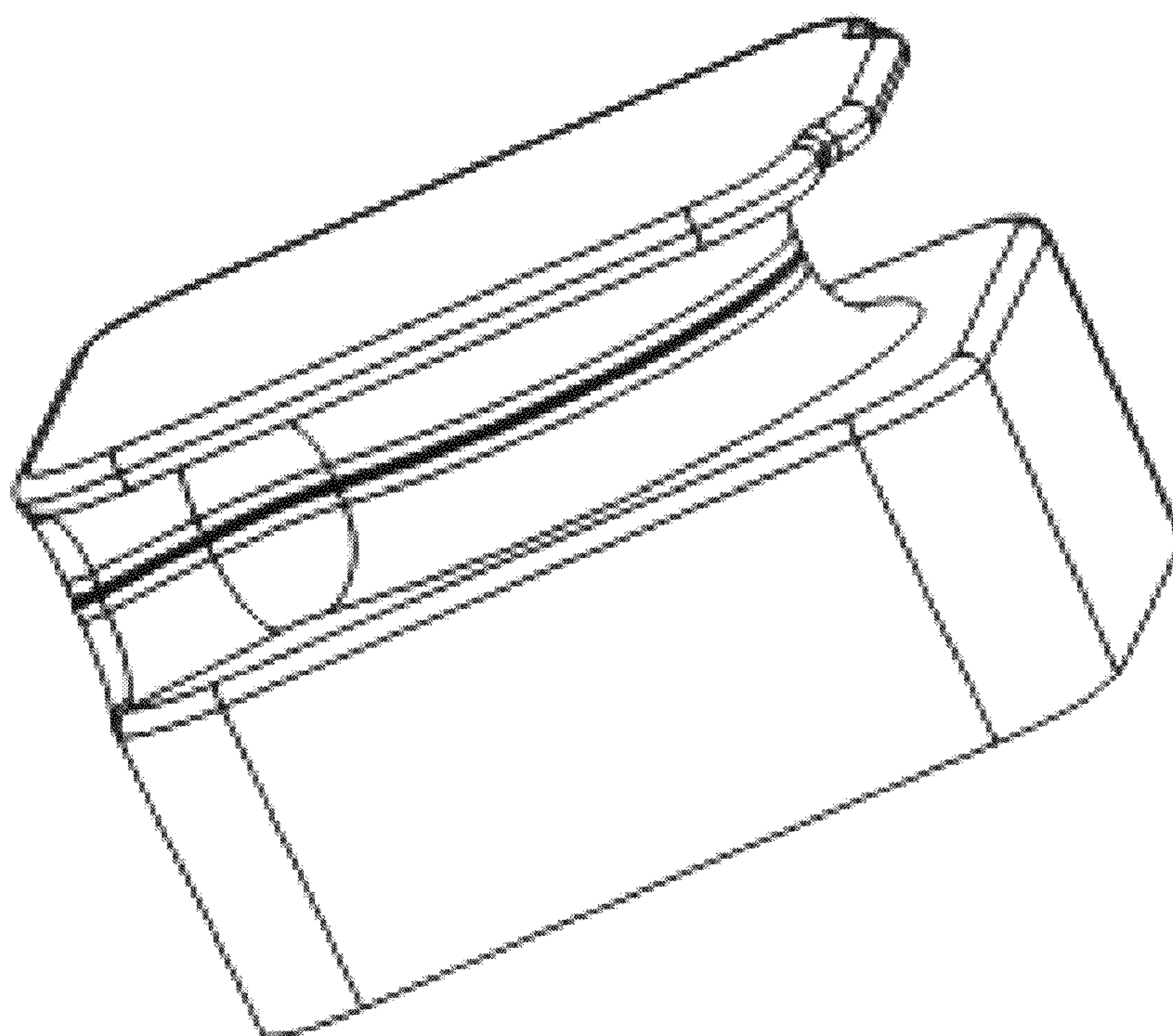


Fig. 10

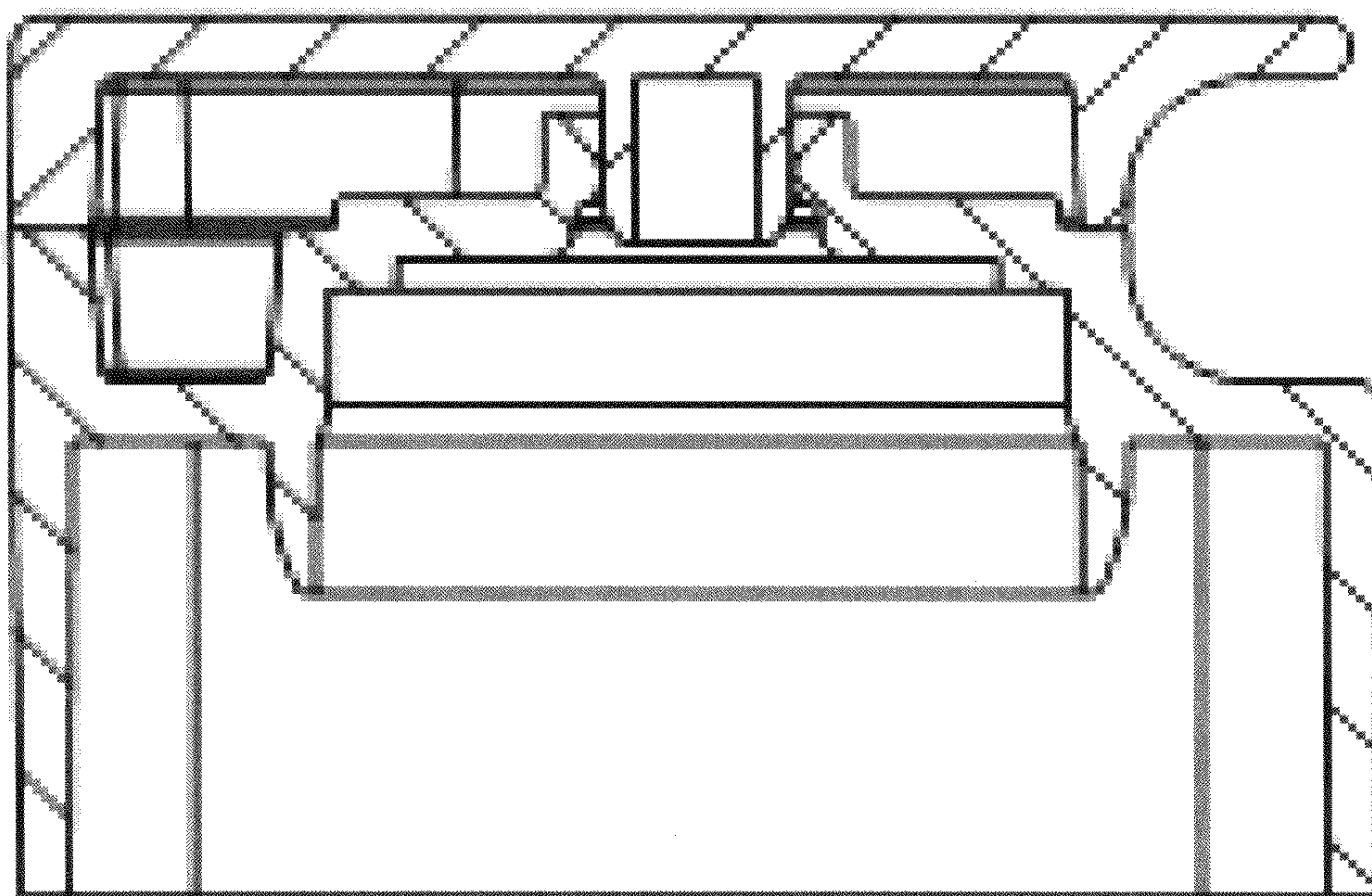


Fig. 11

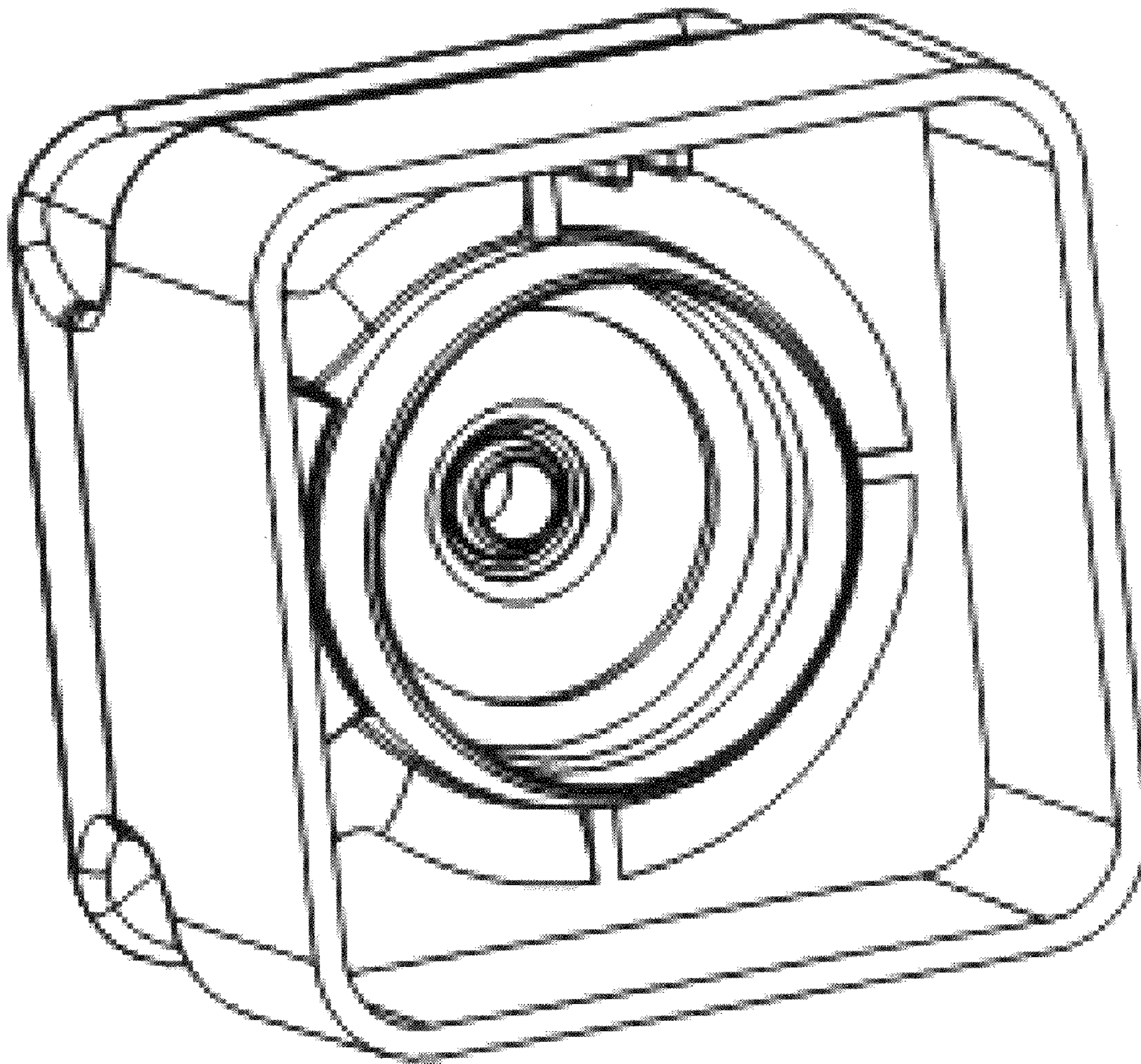


Fig. 12