



US00D576875S

(12) **United States Design Patent**  
**Steiger et al.**

(10) **Patent No.:** **US D576,875 S**

(45) **Date of Patent:** **\*\* Sep. 16, 2008**

(54) **CLOSURE**

(75) Inventors: **John Steiger**, Glenview, IL (US);  
**Machelle Stockwell**, Cary, IL (US)

(73) Assignee: **Tropicana Products, Inc.**, Bradenton,  
FL (US)

(\*\*) Term: **14 Years**

(21) Appl. No.: **29/267,605**

(22) Filed: **Oct. 17, 2006**

(51) **LOC (8) Cl.** ..... **09-07**

(52) **U.S. Cl.** ..... **D9/449; D9/454; D9/446;**  
D9/438

(58) **Field of Classification Search** ..... D9/453,  
D9/450, 449, 446, 438; 222/571, 567, 566,  
222/545, 544, 484, 481.5, 480; 220/810;  
215/556, 235; D28/82

See application file for complete search history.

(56) **References Cited**

U.S. PATENT DOCUMENTS

- 3,734,333 A \* 5/1973 Foss ..... D9/438
- D353,328 S \* 12/1994 Nuffer ..... D9/446
- 5,908,037 A \* 6/1999 Pierson ..... 132/293
- D414,698 S \* 10/1999 Mogard et al. .... D9/450
- D517,916 S \* 3/2006 Satt ..... D9/449
- D518,719 S \* 4/2006 von Spreckelsen et al. ... D9/453

- D530,603 S \* 10/2006 Lohrman et al. .... D9/438
- D537,985 S \* 3/2007 Bakic ..... D28/82
- 2007/0221605 A1 \* 9/2007 Pugne et al. .... 215/235

\* cited by examiner

*Primary Examiner*—Gary D. Watson

*Assistant Examiner*—Susan Bennett Hattan

(74) *Attorney, Agent, or Firm*—Banner & Witcoff, Ltd.

(57) **CLAIM**

The ornamental design for a closure, as shown and described.

**DESCRIPTION**

FIG. 1 is a perspective view of a closure depicting the invention, in a closed position;

FIG. 2 is a perspective view of the closure of the invention in an open position;

FIG. 3 is a top plan view of the closure depicted in FIG. 1;

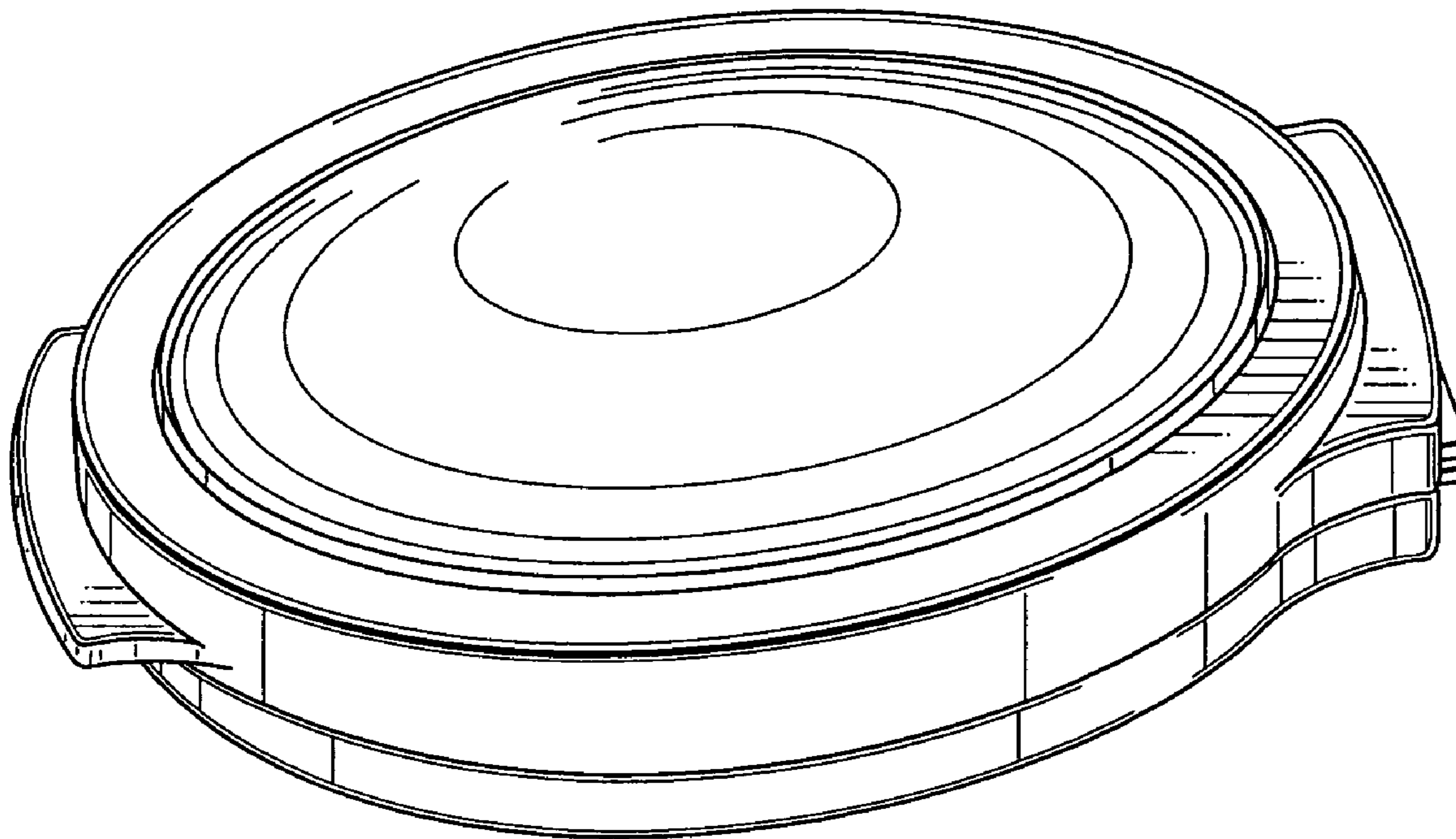
FIG. 4 is a bottom plan view of the closure depicted in FIG. 1;

FIG. 5 is a side elevation plan view of the closure depicted in FIG. 1;

FIG. 6 is a front elevation plan view of the closure depicted in FIG. 1; and,

FIG. 7 is a back elevation plan view of the closure depicted in FIG. 1.

**1 Claim, 3 Drawing Sheets**



**Fig. 1**

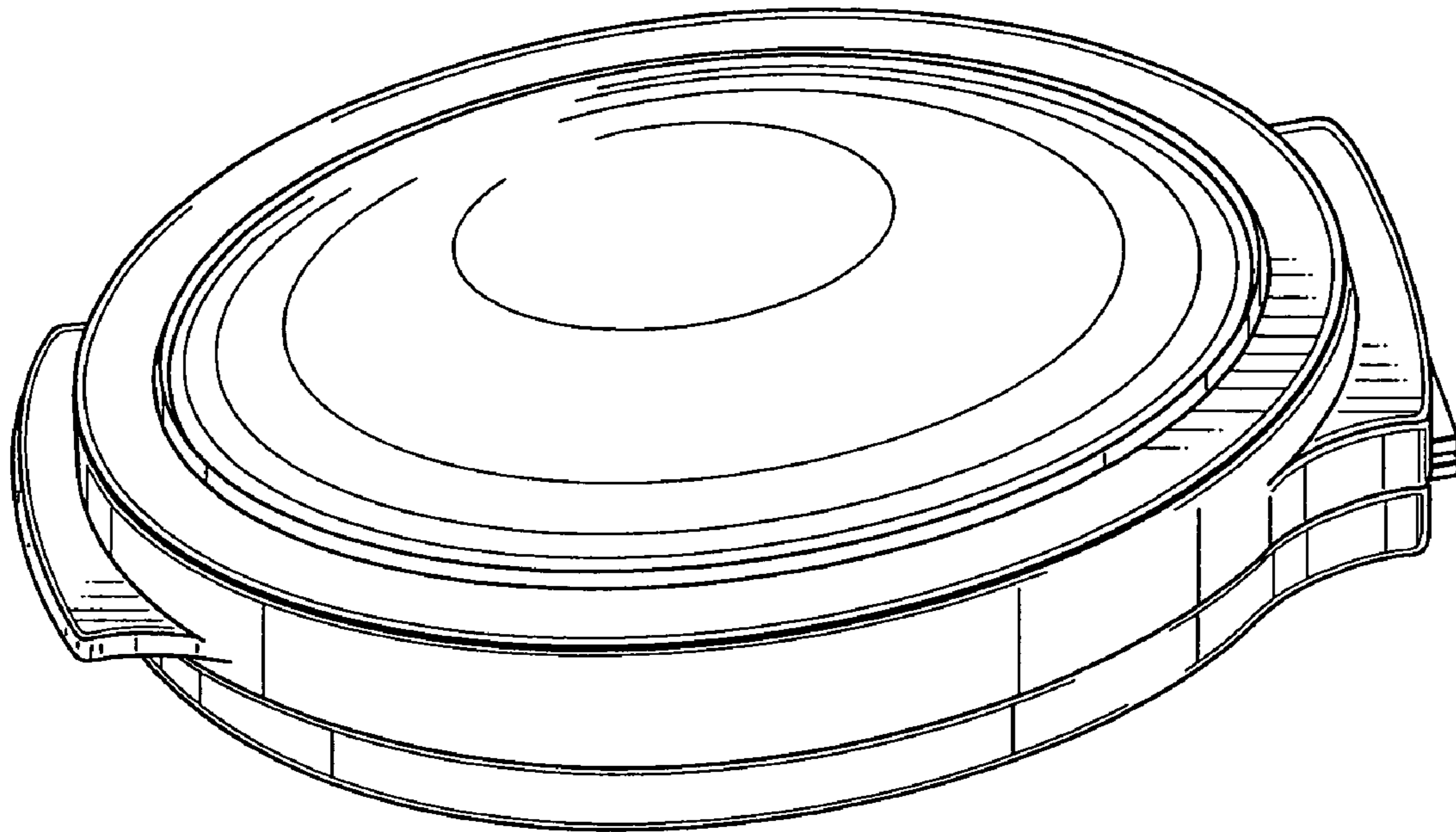
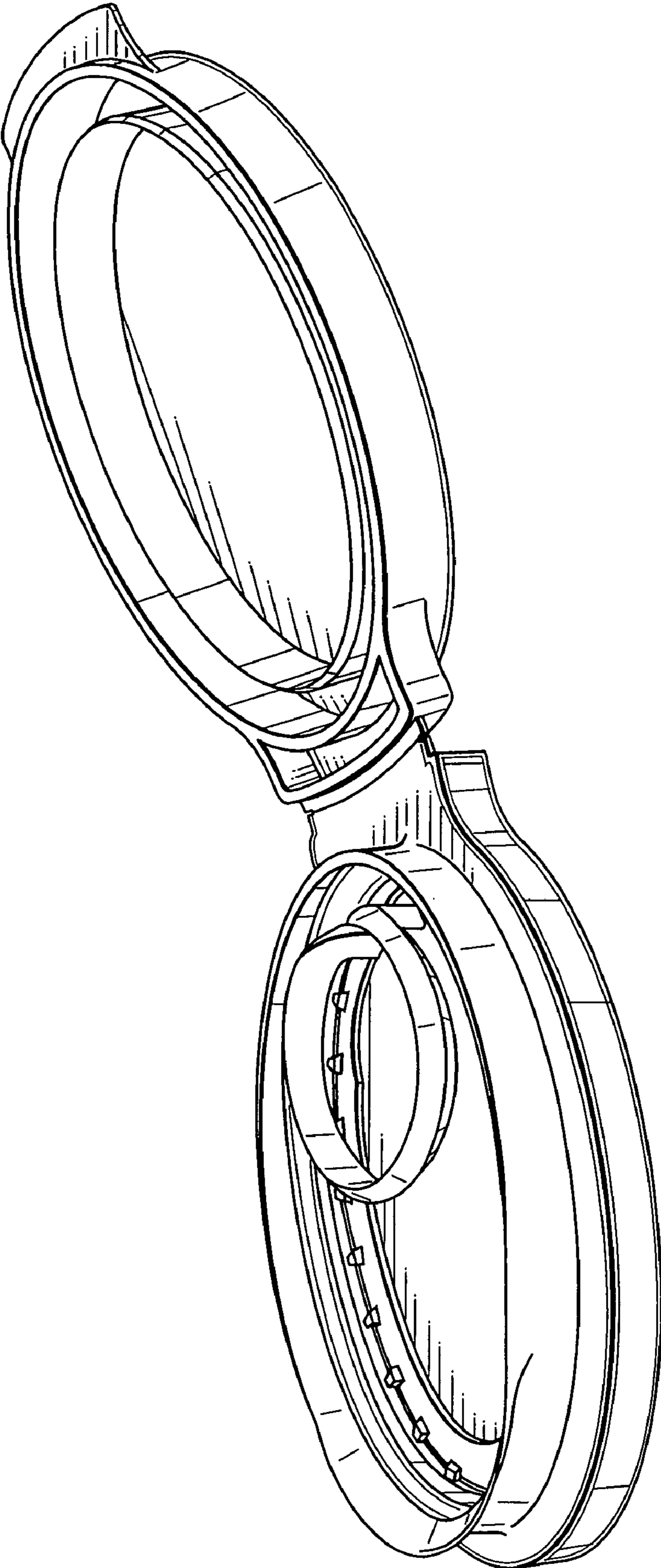
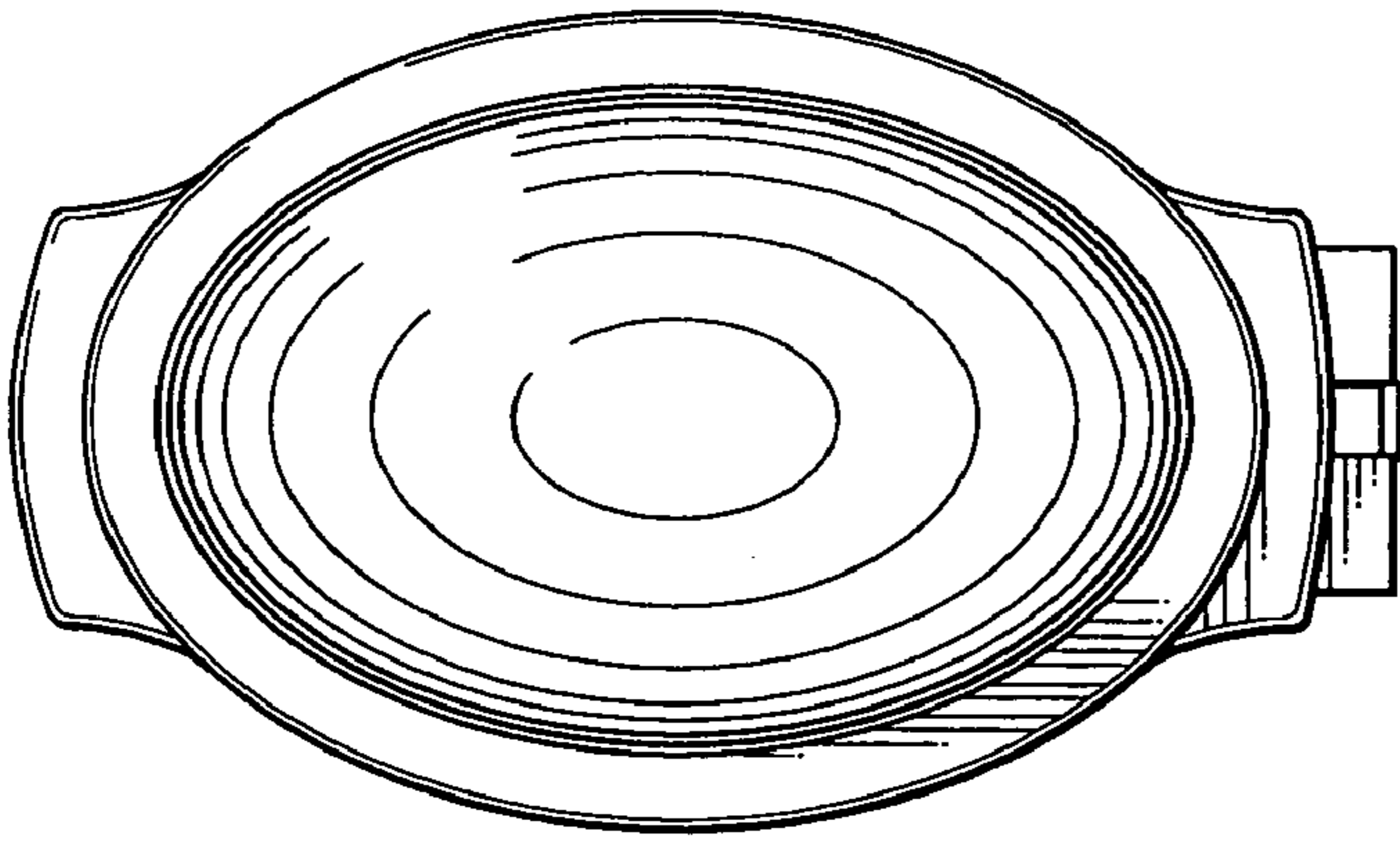


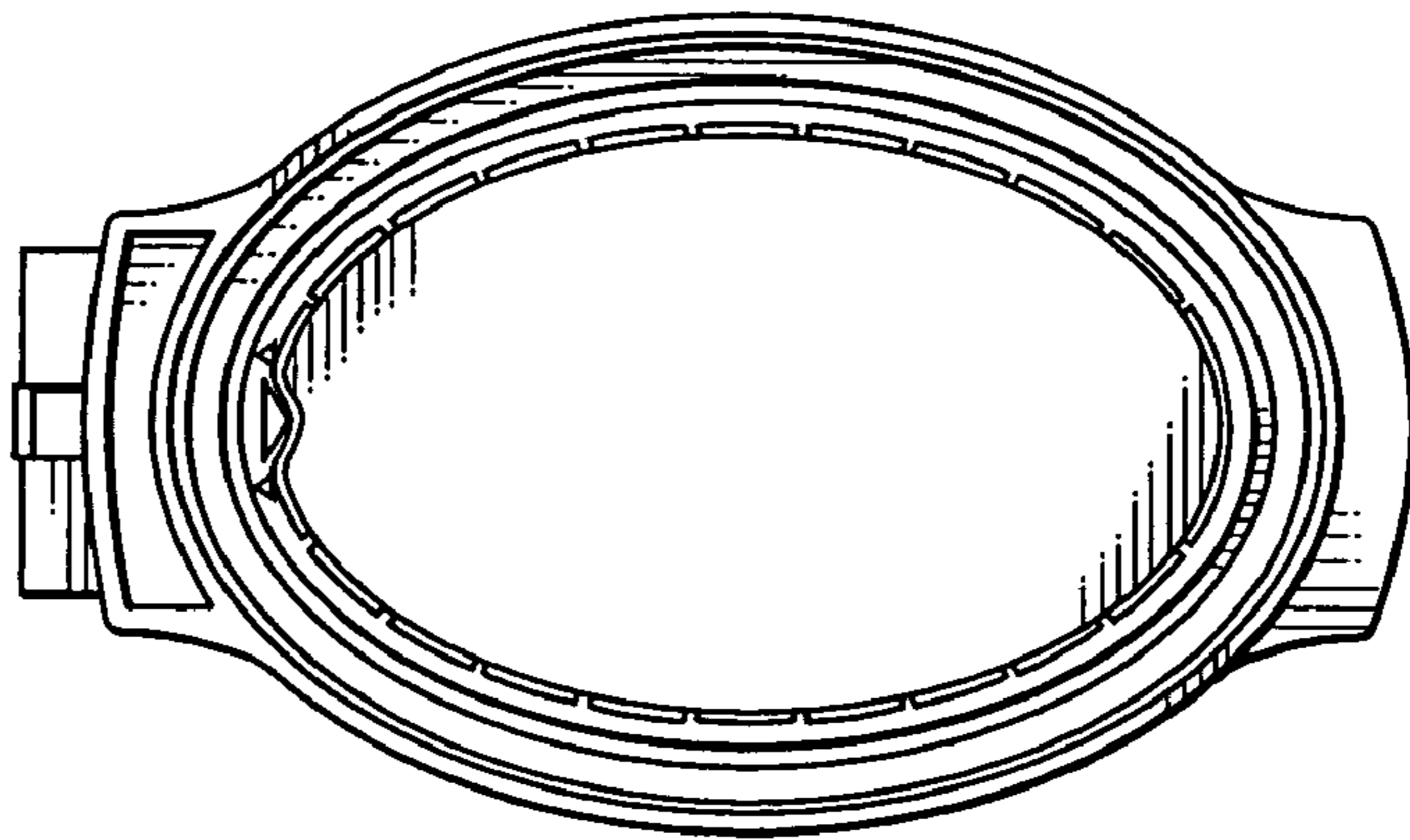
Fig. 2



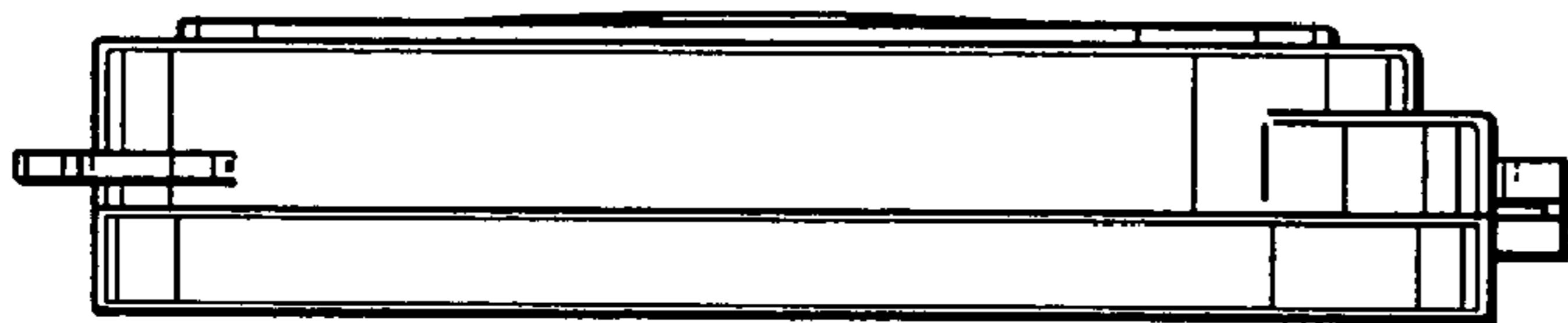
**Fig. 3**



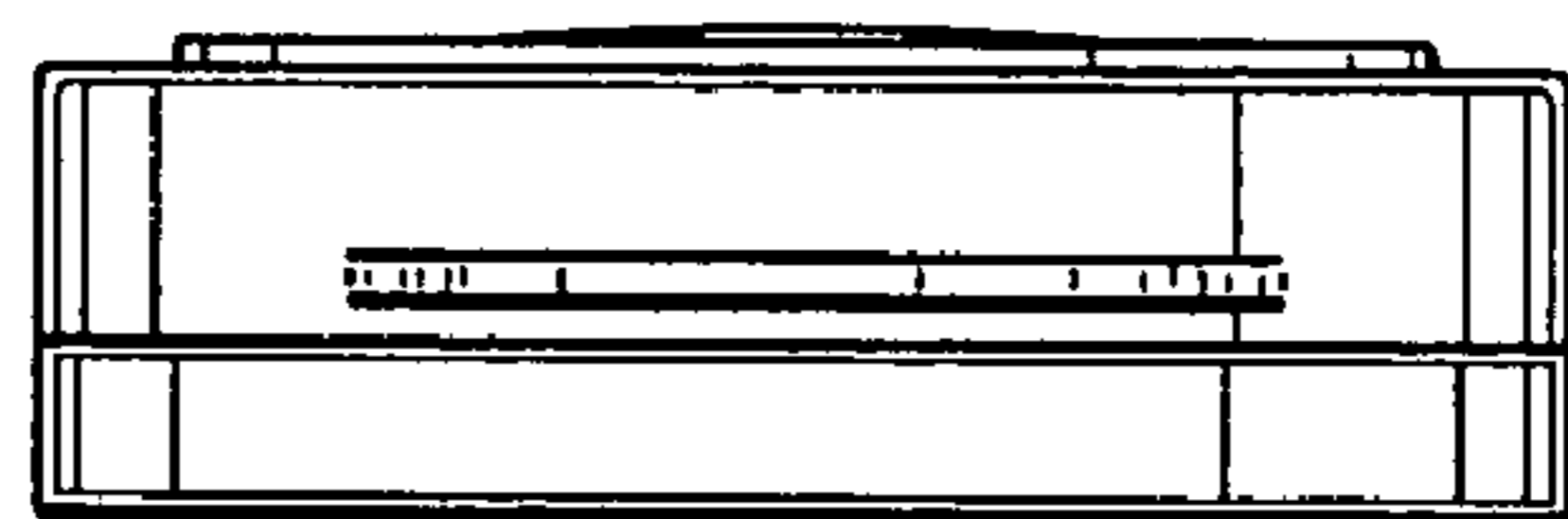
**Fig. 4**



**Fig. 5**



**Fig. 6**



**Fig. 7**

