



US00D576874S

(12) **United States Design Patent**  
**Miller et al.**

(10) **Patent No.:** **US D576,874 S**  
(45) **Date of Patent:** **\*\* Sep. 16, 2008**

(54) **ACTUATOR CAP**

(75) Inventors: **Allen D. Miller**, Racine, WI (US); **Cory J. Nelson**, Racine, WI (US); **Vincent H. Bowman**, Highland Park, IL (US)

(73) Assignee: **S.C. Johnson & Son, Inc**, Racine, WI (US)

(\*\*) Term: **14 Years**

(21) Appl. No.: **29/283,820**

(22) Filed: **Aug. 24, 2007**

(51) **LOC (8) Cl.** ..... **09-07**

(52) **U.S. Cl.** ..... **D9/448**

(58) **Field of Classification Search** ..... D9/754,  
D9/753, 752, 741, 728, 724, 697, 695, 529,  
D9/524, 516, 454, 447, 445, 444, 442, 443,  
D9/440, 439, 435, 434, 441, 686-693, 448,  
D9/438; D7/679, 590-597, 511, 510, 401.1,  
D7/398; 241/169, 169.1, 168; 229/906.1;  
222/567, 566, 545, 482, 480, 356, 151, 149,  
222/142.1-142.9, 635, 494, 491; 220/713,  
220/254.1, 703, 269, 200, 234, 295, 304,  
220/310.1, 378, 795, 804, 849, DIG. 19,  
220/DIG. 4, DIG. 7, 915; D23/260, 259;  
215/200, 231, 234, 364, DIG. 1; D24/216,  
D24/222, 224, 231; D19/57, 43; D28/7,  
D28/57

See application file for complete search history.

(56) **References Cited**

**U.S. PATENT DOCUMENTS**

4,185,777 A	1/1980	Bauer
D268,204 S	3/1983	Wesner et al.
D280,125 S	8/1985	Butterfield et al.
D288,954 S	3/1987	McDermott et al.
D291,780 S	9/1987	Guttormson

4,905,911 A	3/1990	Sakuma
D310,635 S	9/1990	Schultz et al.
D314,917 S	2/1991	Thompson
D316,675 S	5/1991	Cramer
5,044,561 A	9/1991	Holzgreffe
5,065,945 A	11/1991	Vidusek et al.
D323,117 S	1/1992	Demarest
D325,348 S	4/1992	Bishop et al.
D335,809 S	5/1993	Reifenberger

(Continued)

*Primary Examiner*—Gary D. Watson  
*Assistant Examiner*—Susan Bennett Hattan

(57) **CLAIM**

The ornamental design for an actuator cap, as shown and described.

**DESCRIPTION**

In an exemplary embodiment the nature of this product is as an actuator cap for a container, such as an aerosol container, that dispenses a material, such as a cleaner, fragrance, insecticide, or insect repellent.

FIG. 1 is a right, top, frontal perspective view of an actuator cap embodying our new design;

FIG. 2 is a front elevational view thereof;

FIG. 3 is a rear elevational view thereof;

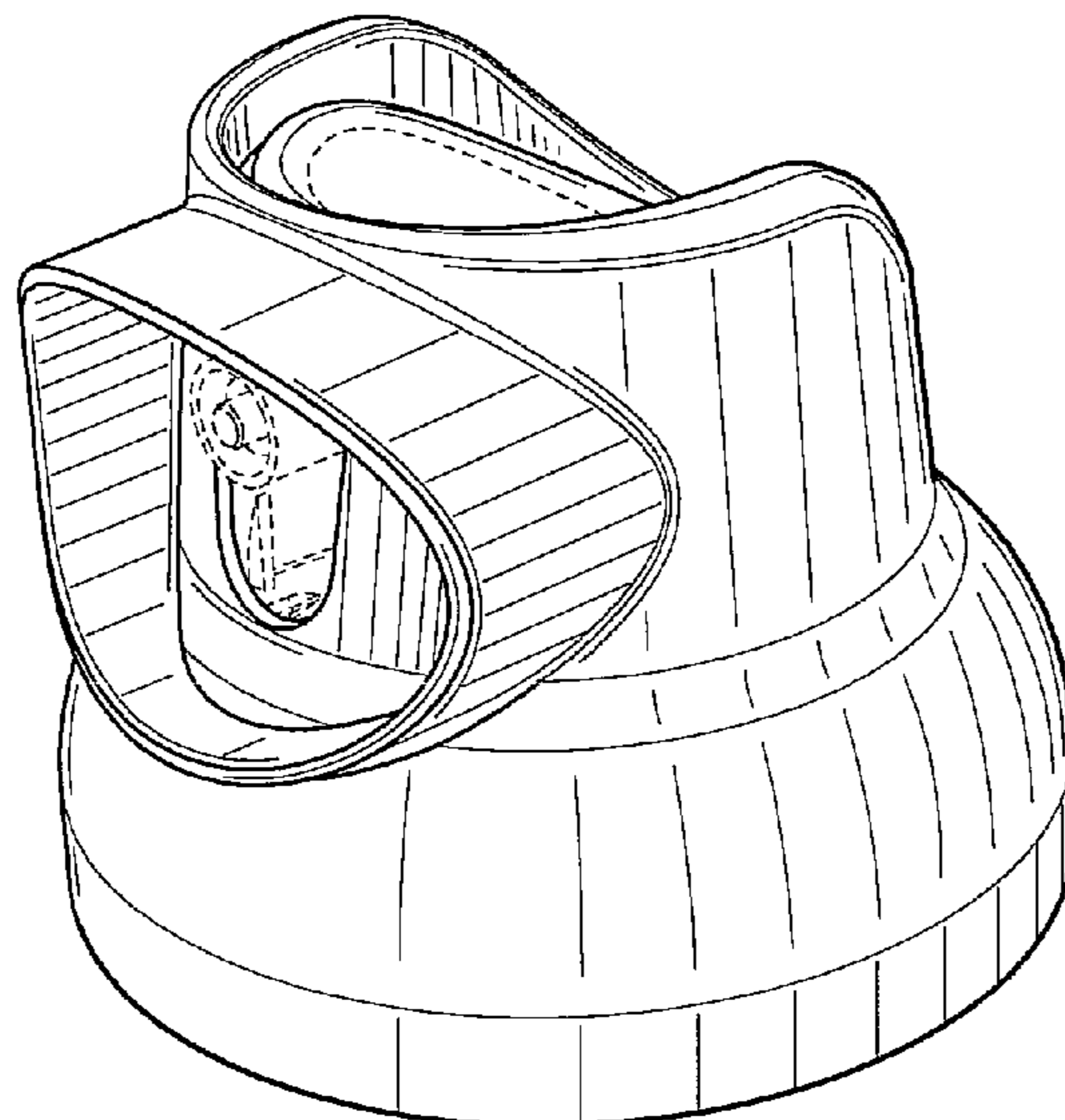
FIG. 4 is a left side elevational view thereof, the right side elevational view being a mirror image thereof;

FIG. 5 is a top plan view thereof; and,

FIG. 6 is a right, top, rear perspective view thereof shown with the environment of a container.

The broken line representations of a central portion of the actuator pad in FIGS. 1, 3, and 5-6, of a nozzle and related support structure in FIGS. 1 and 2, and of a container in FIG. 6 show use and environment, and form no part of the claim.

**1 Claim, 3 Drawing Sheets**



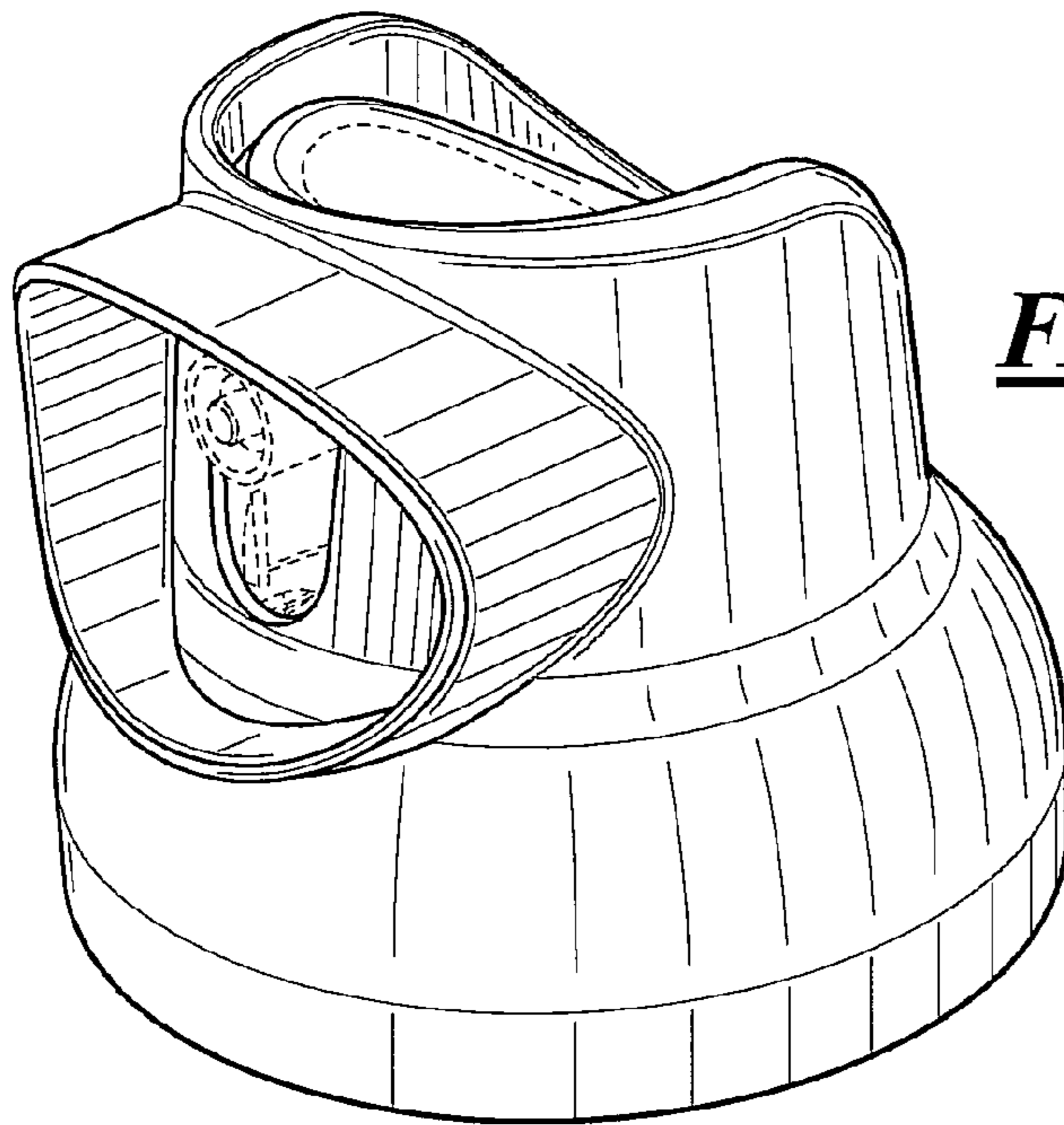
# US D576,874 S

Page 2

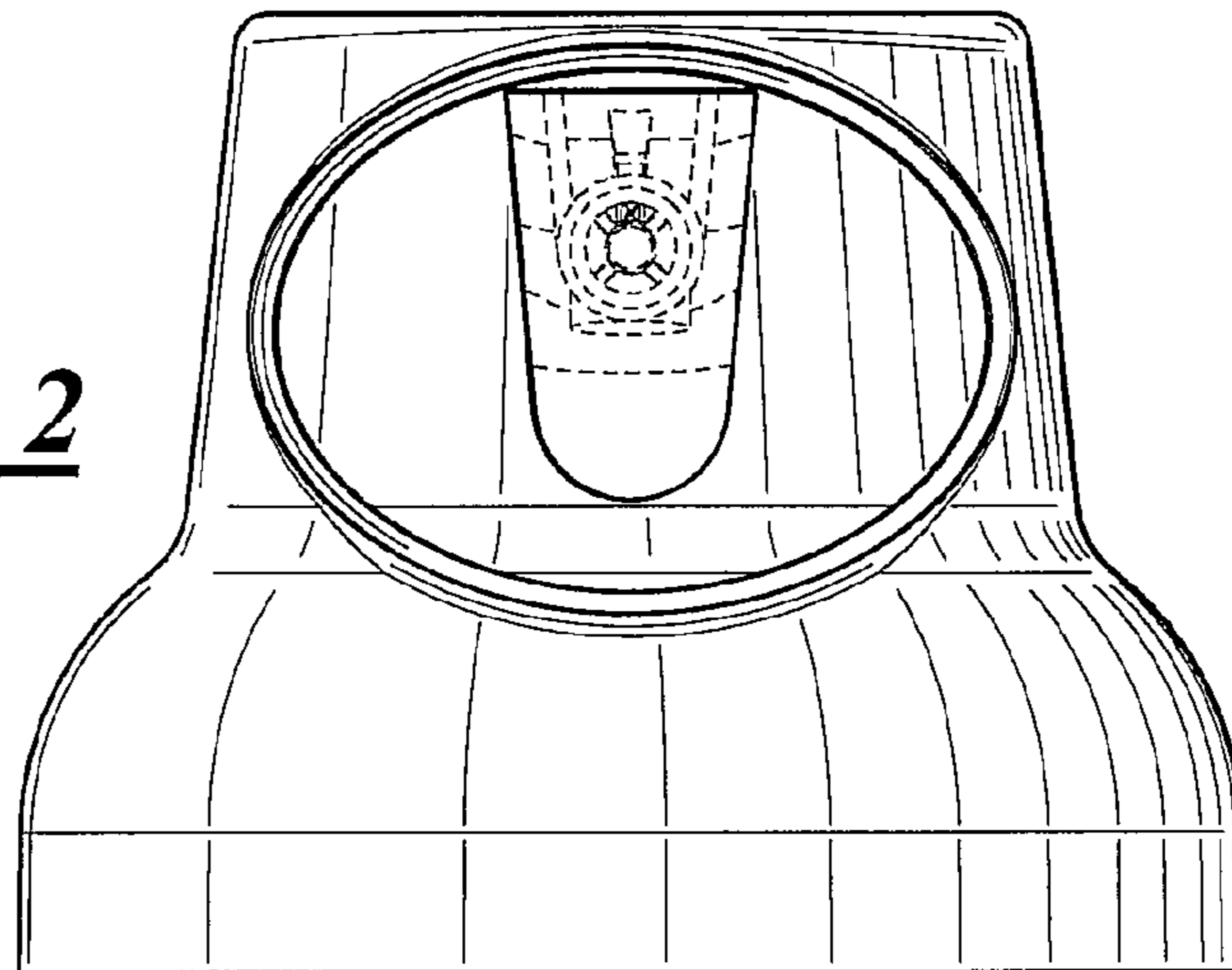
U.S. PATENT DOCUMENTS					
5,255,848 A	10/1993	Rhodehouse	D471,797 S	3/2003	Guerrera et al.
5,263,616 A	11/1993	Abplanalp	D473,927 S	4/2003	Johnson
D350,249 S	9/1994	Rhodenbaugh	D474,255 S	5/2003	Johnson
D352,901 S	11/1994	Ufferfilge	D474,403 S	5/2003	Fahy et al.
D353,537 S *	12/1994	Starrett ..... D9/448	D478,284 S	8/2003	Pannozzo et al.
D356,249 S	3/1995	Abfier et al.	D478,285 S	8/2003	Pannozzo et al.
D362,388 S	9/1995	Ferrara, Jr.	D480,125 S	9/2003	Johnson
D365,990 S	1/1996	McSwiggan et al.	D484,411 S	12/2003	Haruch
D366,051 S	1/1996	Lewis et al.	D488,379 S	4/2004	Healy et al.
D370,847 S	6/1996	Lamb	D489,613 S	5/2004	Campbell et al.
D371,738 S	7/1996	Lamb	D489,980 S	5/2004	Shurtleff et al.
5,553,783 A	9/1996	Slavas et al.	D490,710 S	6/2004	Bayer et al.
D375,263 S	11/1996	Knickerbocker	6,758,373 B2	7/2004	Jackson et al.
D378,802 S	4/1997	Corcoran	D497,407 S	10/2004	Mather
5,639,025 A	6/1997	Bush	6,817,493 B1	11/2004	Parsons et al.
D380,384 S	7/1997	Ferrara, Jr.	6,820,823 B2	11/2004	Parson et al.
D381,909 S	8/1997	Sayers et al.	D499,463 S	12/2004	Mather
D381,910 S	8/1997	Sayers et al.	6,840,462 B2	1/2005	Hurray et al.
5,655,715 A	8/1997	Hans et al.	D506,389 S *	6/2005	Geier ..... D9/448
5,680,992 A	10/1997	Grytz et al.	6,908,017 B2	6/2005	Mineau et al.
D385,792 S	11/1997	Sayers et al.	D509,136 S	9/2005	Walters et al.
5,692,682 A	12/1997	Soule et al.	D509,139 S	9/2005	Healy et al.
5,707,012 A	1/1998	Maier et al.	D510,267 S *	10/2005	Miller et al. .... D9/448
5,711,488 A	1/1998	Lund	6,953,159 B2	10/2005	Laidler
D396,638 S	8/1998	Demarest	6,971,552 B2	12/2005	Meshberg
5,791,524 A	8/1998	Demarest	6,971,560 B1	12/2005	Healy et al.
D402,890 S	12/1998	Guillemot	6,978,916 B2	12/2005	Smith
5,868,321 A	2/1999	Haruch	D513,986 S	1/2006	Healy et al.
D406,239 S	3/1999	Guillemot	7,014,131 B2	3/2006	Berning et al.
D406,240 S	3/1999	Guillemot	7,021,571 B1	4/2006	Lawson et al.
D407,975 S	4/1999	Lund et al.	D522,361 S	6/2006	Healy et al.
D408,495 S	4/1999	Adams	D523,749 S	6/2006	Kolanus et al.
5,890,655 A	4/1999	Collias et al.	D524,640 S	7/2006	Paas et al.
D409,916 S	5/1999	Houghton et al.	D526,900 S	8/2006	Shieh et al.
5,915,599 A	6/1999	Takahashi	D527,257 S	8/2006	Yu
D411,801 S	7/1999	Kinneir et al.	7,104,427 B2	9/2006	Pericard et al.
D411,955 S	7/1999	Richiger	D529,381 S	10/2006	Castillo Higareda et al.
D413,063 S	8/1999	Bell et al.	D529,382 S	10/2006	Mineau
D414,416 S	9/1999	Watkins	7,121,434 B1	10/2006	Caruso
D416,490 S	11/1999	Kunesh	7,143,959 B2	12/2006	Smith et al.
5,992,765 A	11/1999	Smith	D536,970 S	2/2007	Shannan et al.
6,000,633 A	12/1999	Lund et al.	7,188,789 B2	3/2007	Schwegler et al.
6,036,116 A	3/2000	Bui	2002/0130202 A1	9/2002	Kah, Jr. et al.
D423,356 S *	4/2000	Mineau et al. .... D9/448	2003/0121992 A1	7/2003	Woods
6,145,704 A	11/2000	Geier	2004/0089743 A1	5/2004	Tilton et al.
6,152,190 A	11/2000	Smith	2004/0195359 A1	10/2004	Curtis
D436,038 S	1/2001	Ruiz de Gopegui	2005/0017027 A1	1/2005	Yerby et al.
D438,111 S	2/2001	Woods	2005/0087633 A1	4/2005	Gopalan
D447,948 S	9/2001	Pannozzo et al.	2005/0161534 A1	7/2005	Kah, Jr. et al.
D457,429 S	5/2002	Walters	2005/0218163 A1	10/2005	Mineau et al.
D460,360 S	7/2002	Diete	2005/0218164 A1	10/2005	Morris et al.
D462,009 S	8/2002	Poisson et al.	2005/0263620 A1	12/2005	Prieto et al.
D462,268 S	9/2002	Schroeder et al.	2006/0038046 A1	2/2006	Curtis
6,442,788 B1	9/2002	Fleischer	2006/0065765 A1	3/2006	Hester et al.
6,457,658 B2	10/2002	Srinathe et al.	2006/0091212 A1	5/2006	Gopalan et al.
6,460,780 B1	10/2002	Zimmer et al.	2006/0289679 A1	12/2006	Johnson et al.
D469,014 S	1/2003	Loghman-Adham et al.	2007/0034649 A1	2/2007	Smith et al.
D469,847 S	2/2003	Schroeder et al.	2007/0034653 A1	2/2007	Strand
6,513,185 B1	2/2003	Zimmer et al.	2007/0039979 A1	2/2007	Strand et al.
D471,106 S	3/2003	Pannozzo et al.	2007/0069049 A1	3/2007	Lipthal et al.

\* cited by examiner

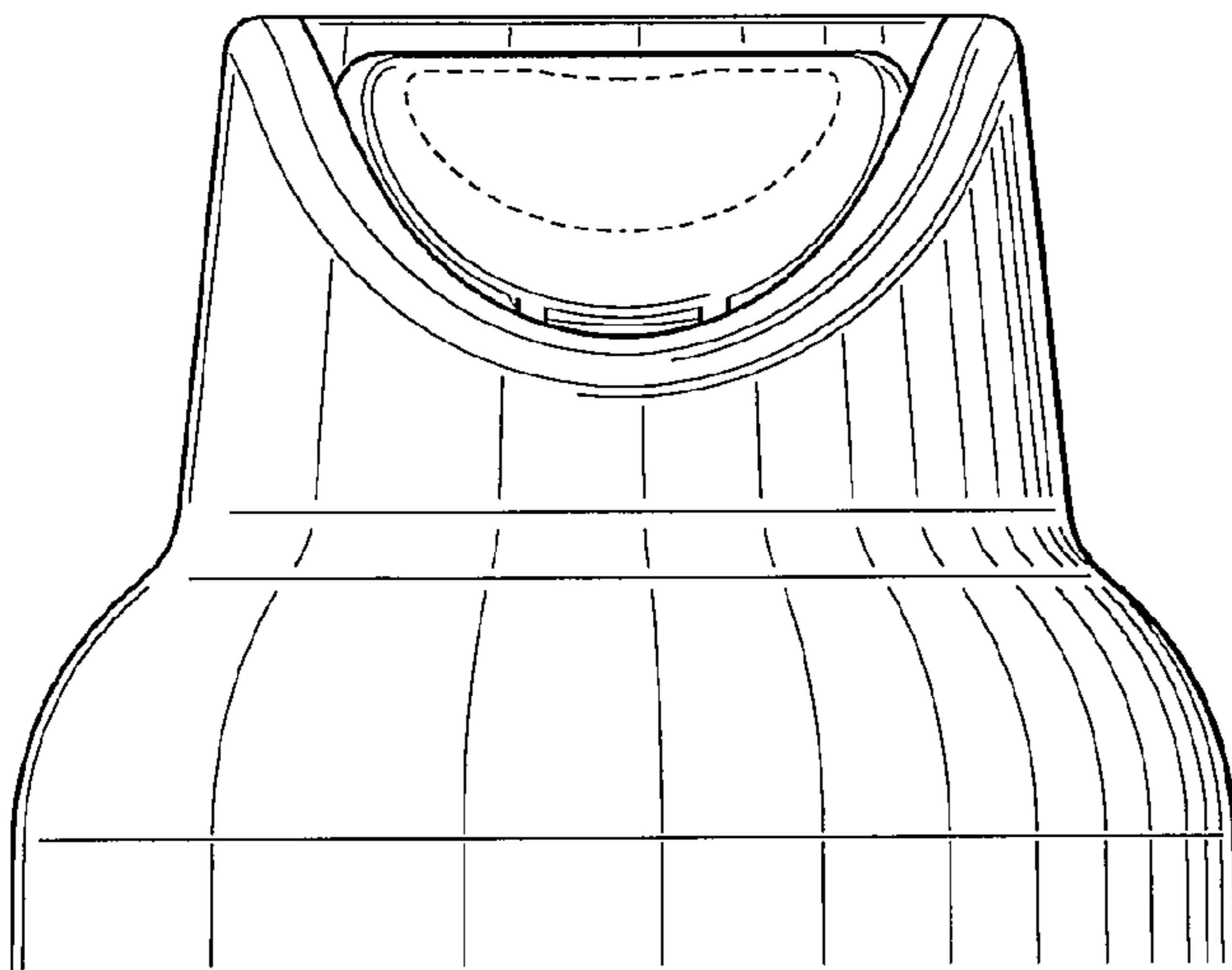




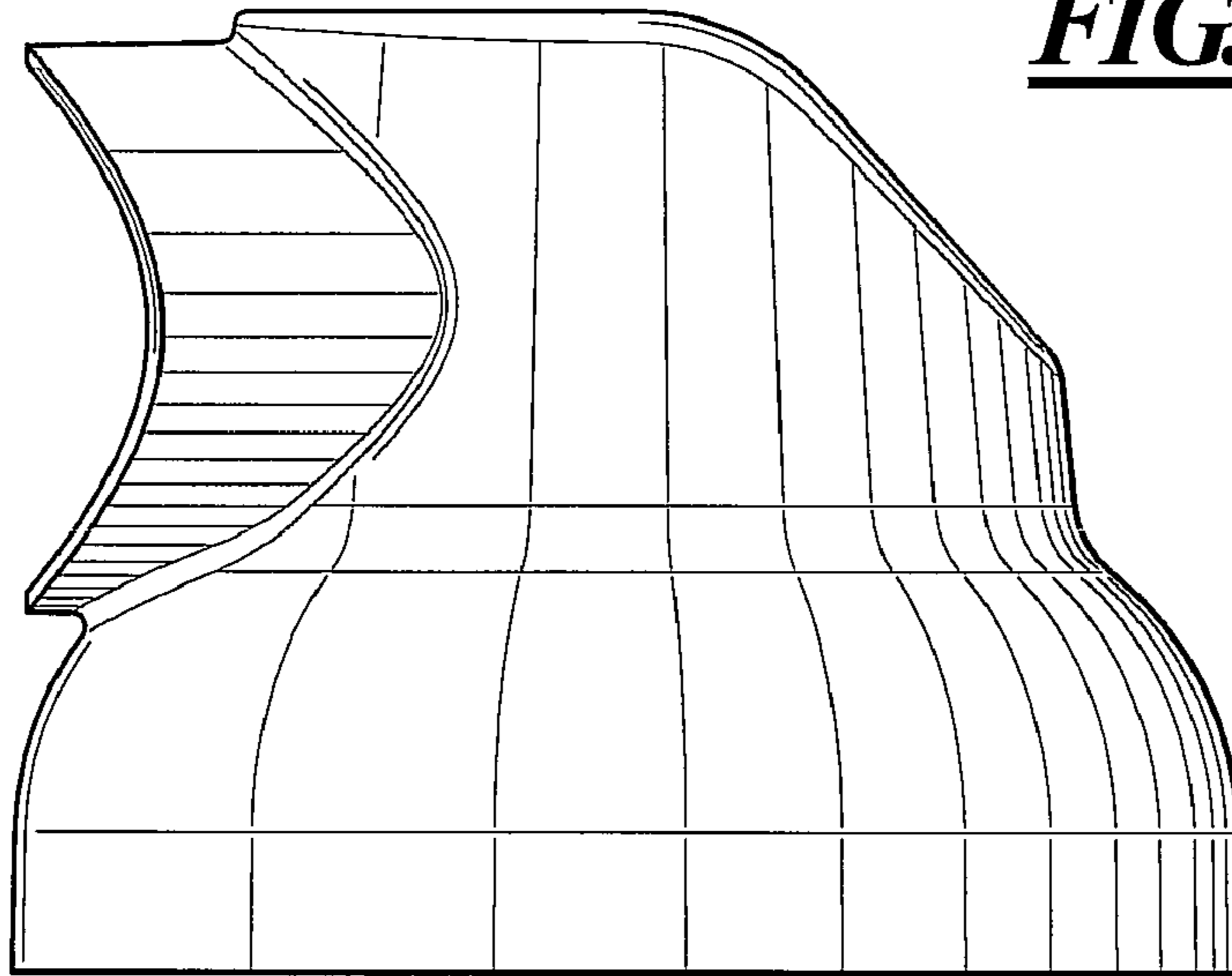
**FIG. 1**



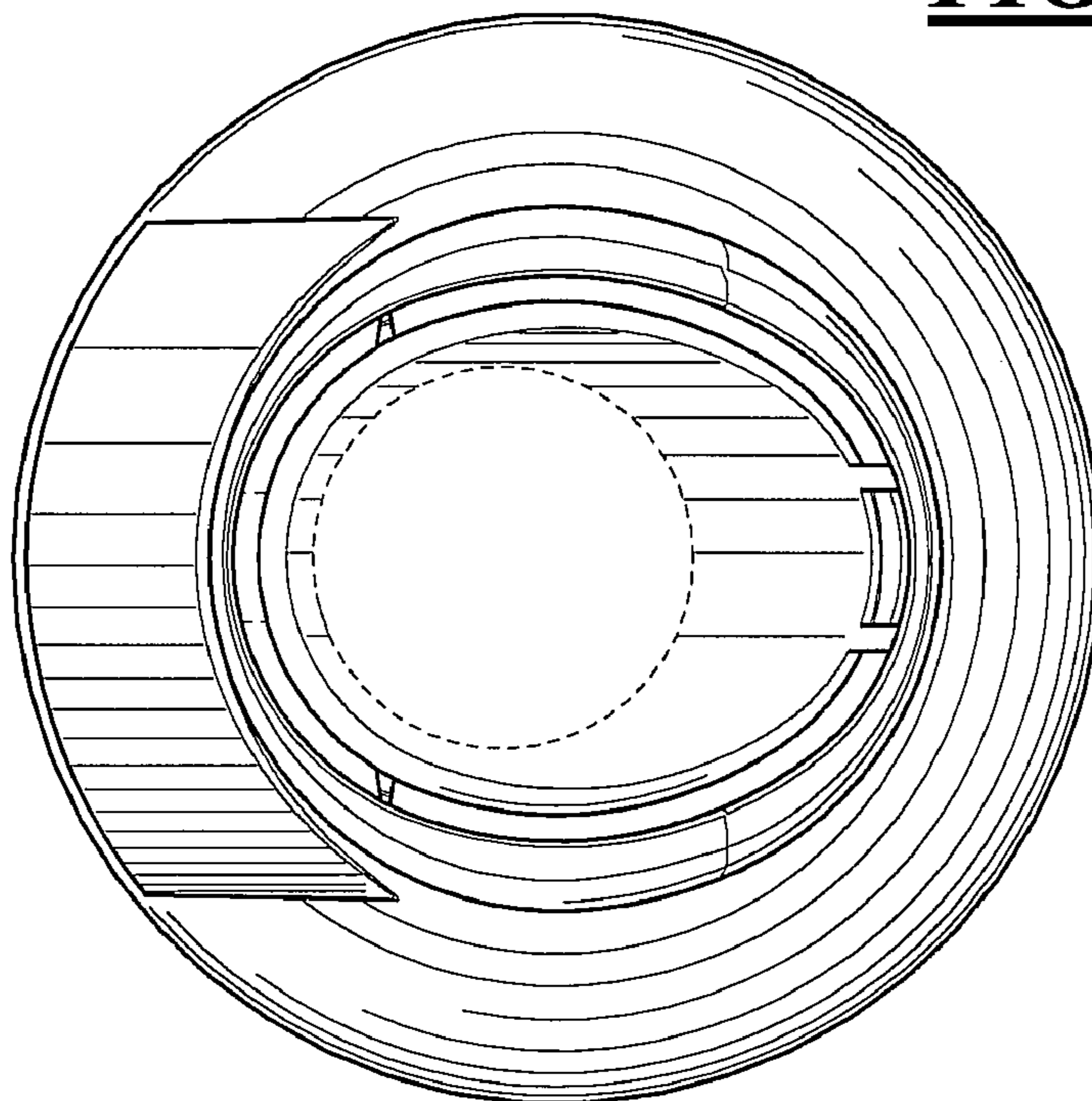
**FIG. 2**



**FIG. 3**



**FIG. 4**



**FIG. 5**

**FIG. 6**

