



US00D576873S

(12) **United States Design Patent**
Kim

(10) **Patent No.:** **US D576,873 S**

(45) **Date of Patent:** **** Sep. 16, 2008**

(54) **SHIRT BOX**

(75) Inventor: **Cin Kim**, Alpine, NJ (US)

(73) Assignee: **Peacock Apparel Group, Inc.**, New York, NY (US)

(**) Term: **14 Years**

(21) Appl. No.: **29/298,526**

(22) Filed: **Dec. 6, 2007**

(51) **LOC (8) Cl.** **09-03**

(52) **U.S. Cl.** **D9/418**

(58) **Field of Classification Search** D9/414-418,
D9/420-426, 430-433, 761, 737, 757; D7/357,
D7/629, 602, 553.1-553.8, 538, 591, 615;
206/315.9, 485, 521.1, 539, 564, 541, 546,
206/588, 766, 779, 822; 220/23.8, 23.83,
220/315, 324, 326, 367, 556, 4.21, 4.23,
220/835, 839; 229/406, 902-904, 906, 407,
229/110, 115; D6/470, 397, 441

See application file for complete search history.

(56) **References Cited**

U.S. PATENT DOCUMENTS

1,440,046 A * 12/1922 Ziplinsky 220/796
D114,891 S * 5/1939 Fogel D9/418
D126,123 S * 3/1941 Clemens D9/418
D283,104 S * 3/1986 Bigando D9/418

D291,534 S * 8/1987 Hamilton et al. D7/761
D346,960 S * 5/1994 Bennett D9/418
D365,482 S * 12/1995 Larimore D6/518
D554,495 S * 11/2007 Hanji D9/418
D554,497 S * 11/2007 VanDerStighelen D9/418

* cited by examiner

Primary Examiner—Robert M. Spear

Assistant Examiner—Susan E Krakower

(74) *Attorney, Agent, or Firm*—Leason Ellis LLP

(57) **CLAIM**

The ornamental design for a shirt box, as shown and described.

DESCRIPTION

FIG. 1 is an exploded perspective view of a shirt box showing my new design;

FIG. 2 is a perspective view of the shirt box in an assembled state;

FIG. 3 is a front elevation view thereof;

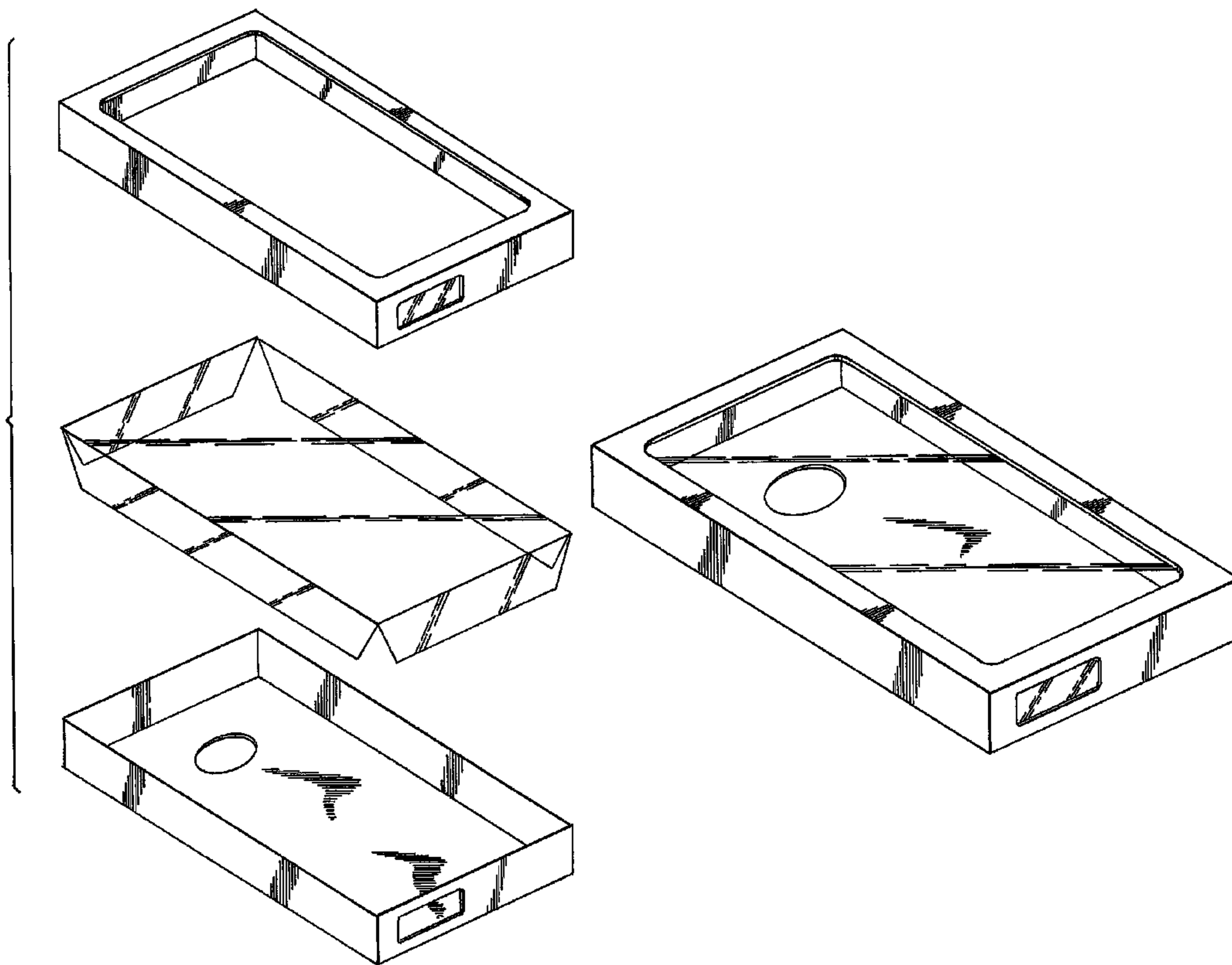
FIG. 4 is a top plan view thereof;

FIG. 5 is a right side elevation view, the left side being a mirror image thereof;

FIG. 6 is a bottom plan view thereof; and,

FIG. 7 is a rear elevation view thereof.

1 Claim, 5 Drawing Sheets



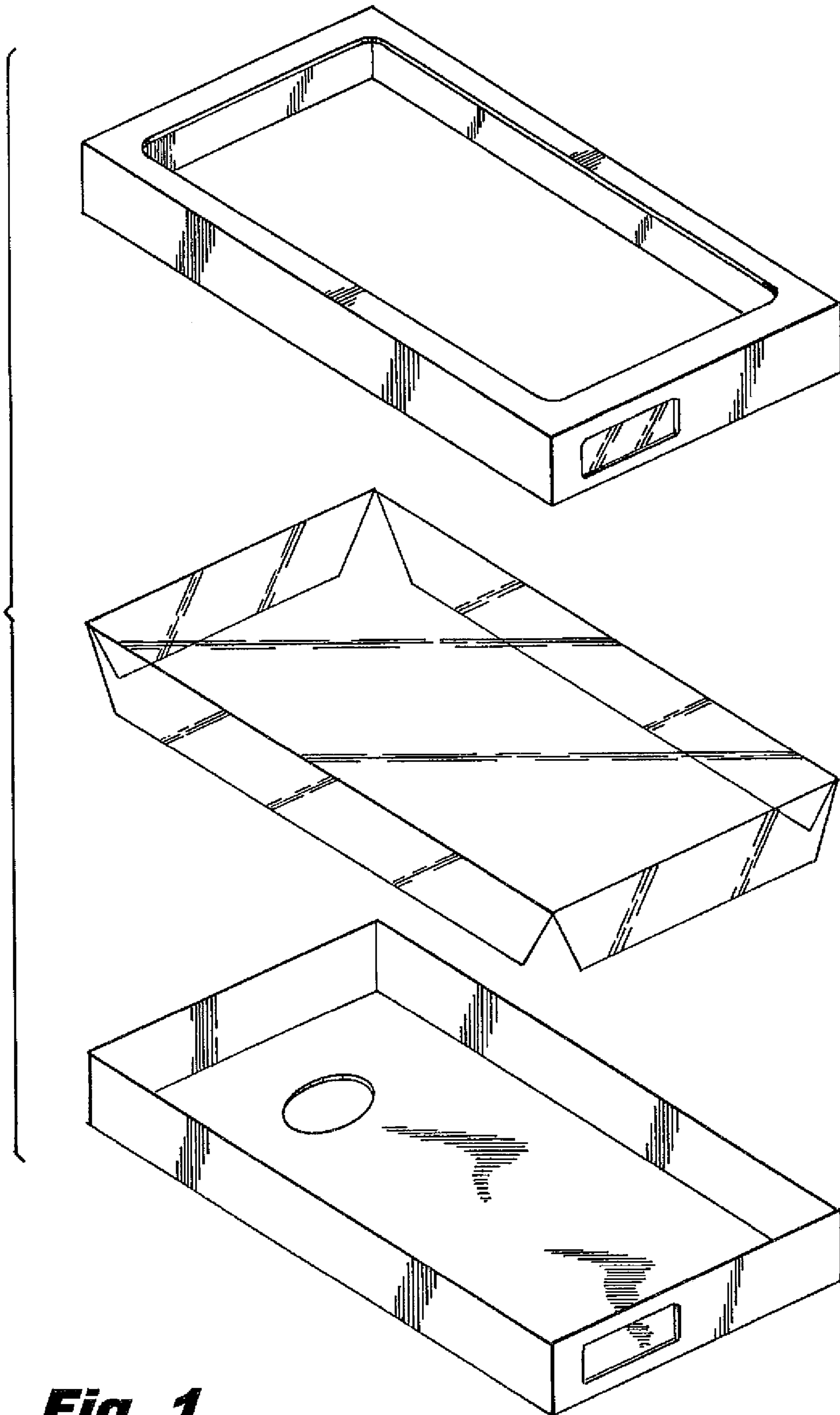


Fig. 1

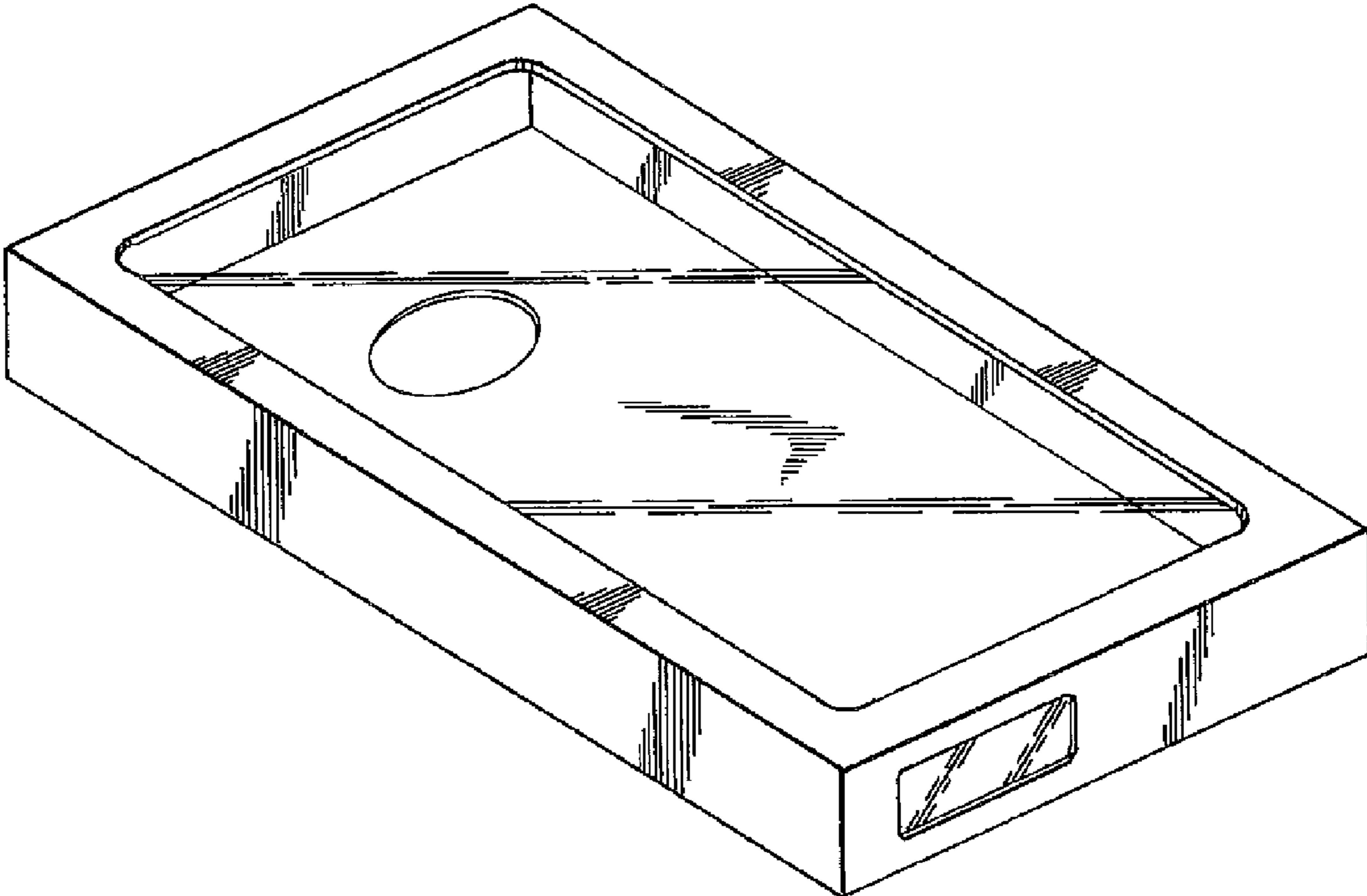


Fig. 2

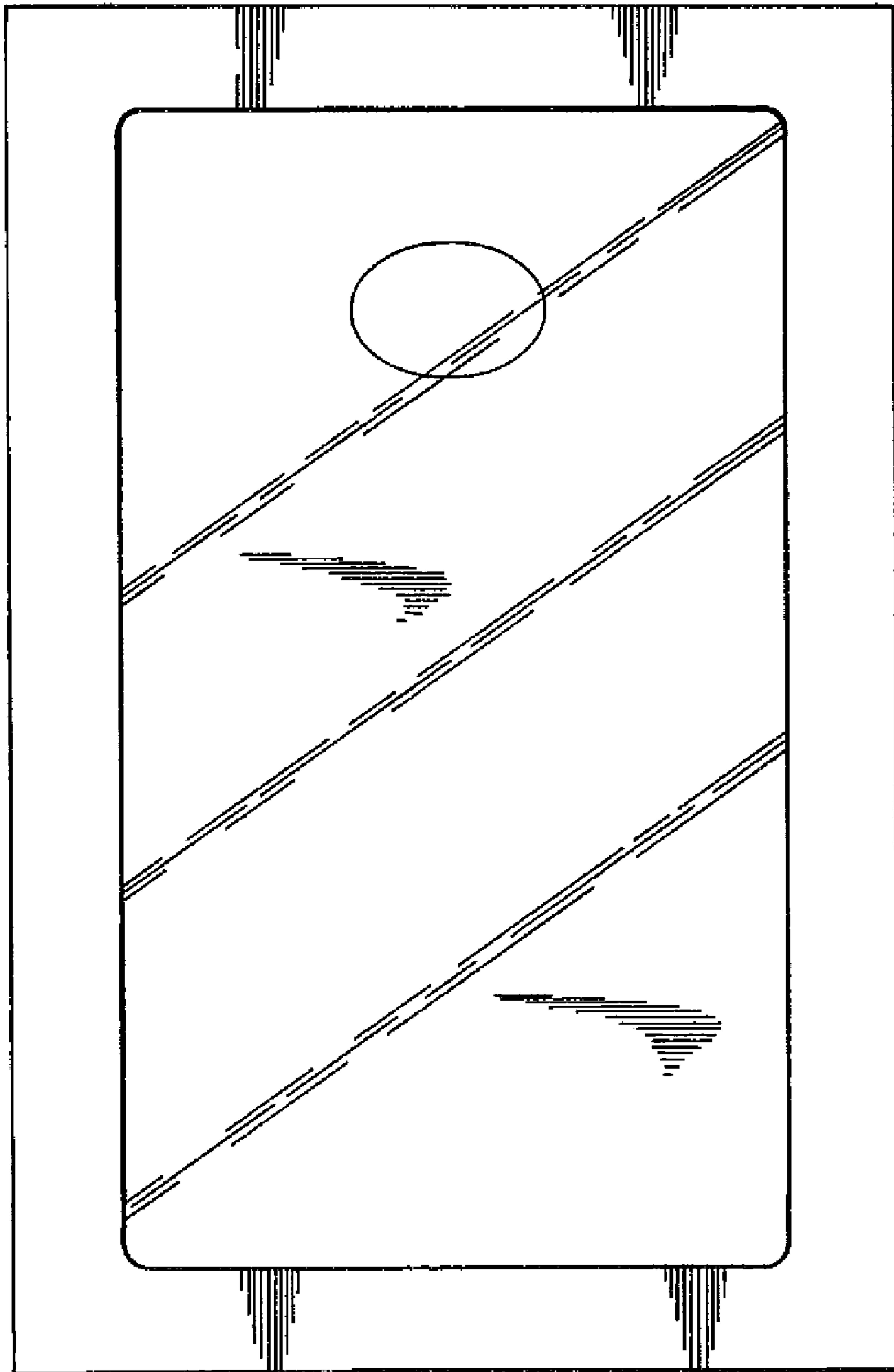


Fig. 3

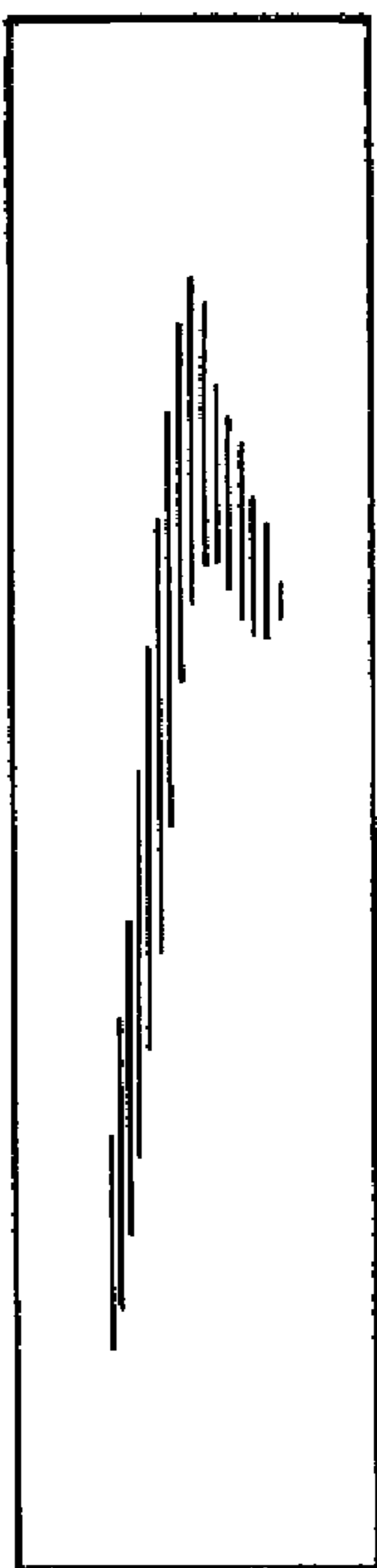


Fig. 4

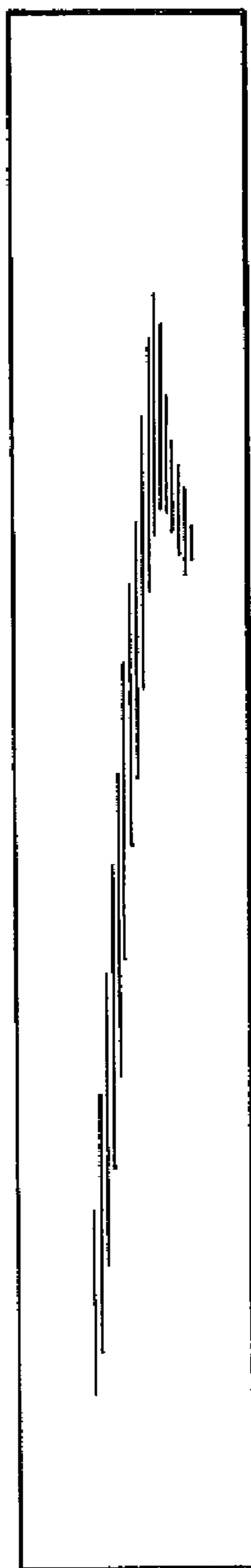


Fig. 5

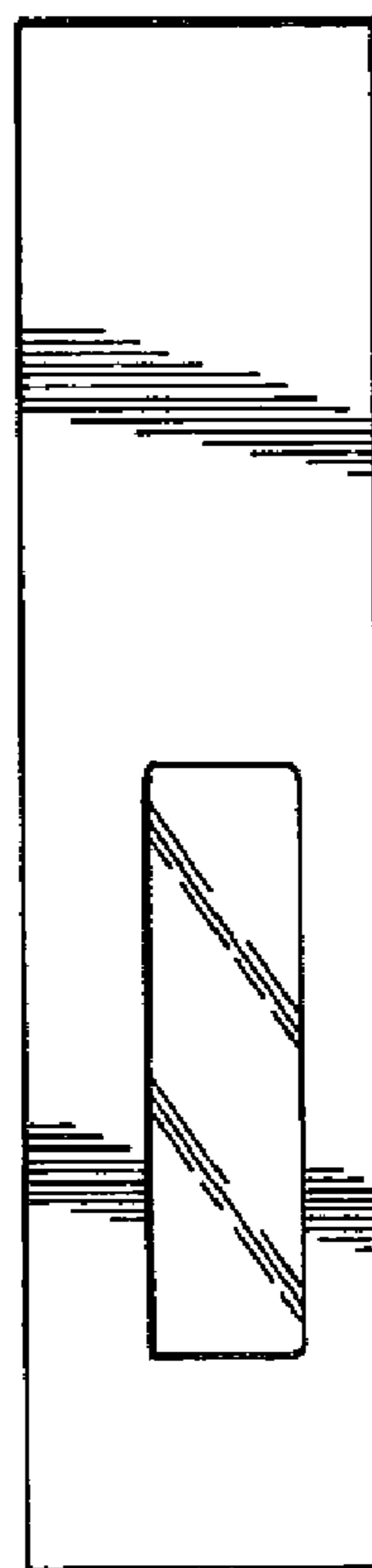


Fig. 6

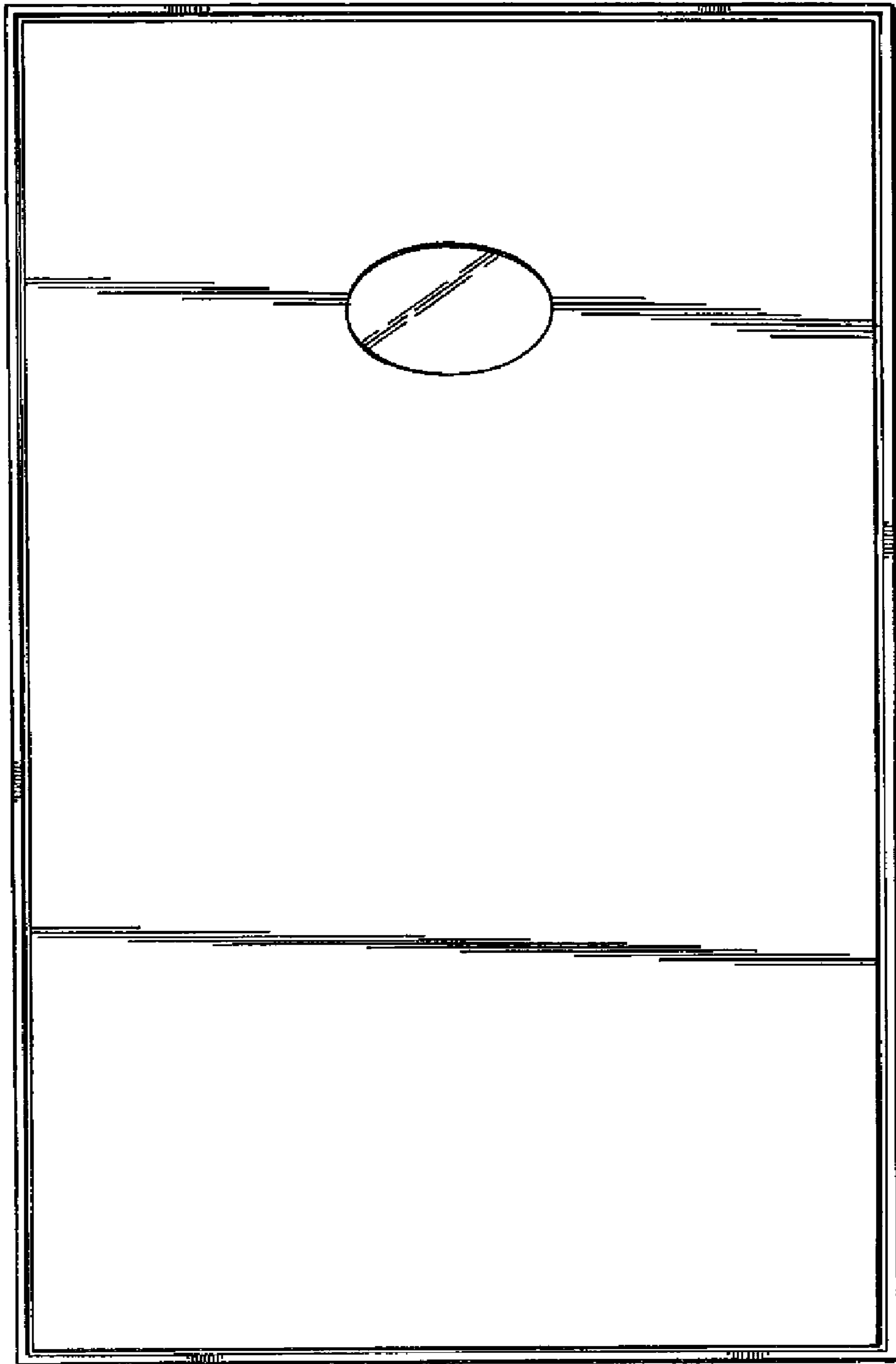


Fig. 7