



US00D576872S

(12) **United States Design Patent**
Kiser

(10) **Patent No.:** **US D576,872 S**

(45) **Date of Patent:** **** Sep. 16, 2008**

(54) **CLAM SHELL PACKAGE**

(75) Inventor: **Kenneth Kirby Kiser**, Nunda, NY (US)

(73) Assignee: **Crosman Corporation**, East
Bloomfield, NY (US)

(**) Term: **14 Years**

(21) Appl. No.: **29/296,353**

(22) Filed: **Oct. 18, 2007**

Related U.S. Application Data

(62) Division of application No. 29/246,636, filed on Apr.
28, 2006, now Pat. No. Des. 558,043.

(51) **LOC (8) Cl.** **09-03**

(52) **U.S. Cl.** **D9/418; D9/424**

(58) **Field of Classification Search** D9/227,
D9/304, 341-348, 414-433, 457, 701, 730-762;
206/461-471, 495, 806; D22/108, 199
See application file for complete search history.

(56) **References Cited**

U.S. PATENT DOCUMENTS

- D348,391 S * 7/1994 Ichikawa et al. D9/415
- D365,022 S * 12/1995 Wada D9/415
- D372,291 S * 7/1996 Watley D22/108
- D405,367 S * 2/1999 Lee et al. D9/415
- D405,368 S * 2/1999 Lee D9/415
- D433,937 S * 11/2000 Glassman D9/415
- D473,787 S * 4/2003 Jones et al. D9/415

- D480,964 S * 10/2003 Lee D9/415
- D502,867 S * 3/2005 Koizumi D9/415
- D524,642 S * 7/2006 Suckle et al. D9/415
- D558,043 S * 12/2007 Kiser D9/418
- 2004/0149616 A1 * 8/2004 Briscoe 206/461

* cited by examiner

Primary Examiner—Robert M. Spear

Assistant Examiner—Susan E Krakower

(74) *Attorney, Agent, or Firm*—Stephen B. Salai, Esq.;
Michael J. Didas, Esq.; Harter Secrest & Emery LLP

(57) **CLAIM**

The ornamental design for clam shell package, as shown and
described.

DESCRIPTION

FIG. 1 is a perspective view of a clam shell package showing
the present design;

FIG. 2 is a left side elevational view thereof;

FIG. 3 is a front elevational view thereof;

FIG. 4 is a rear elevational view thereof;

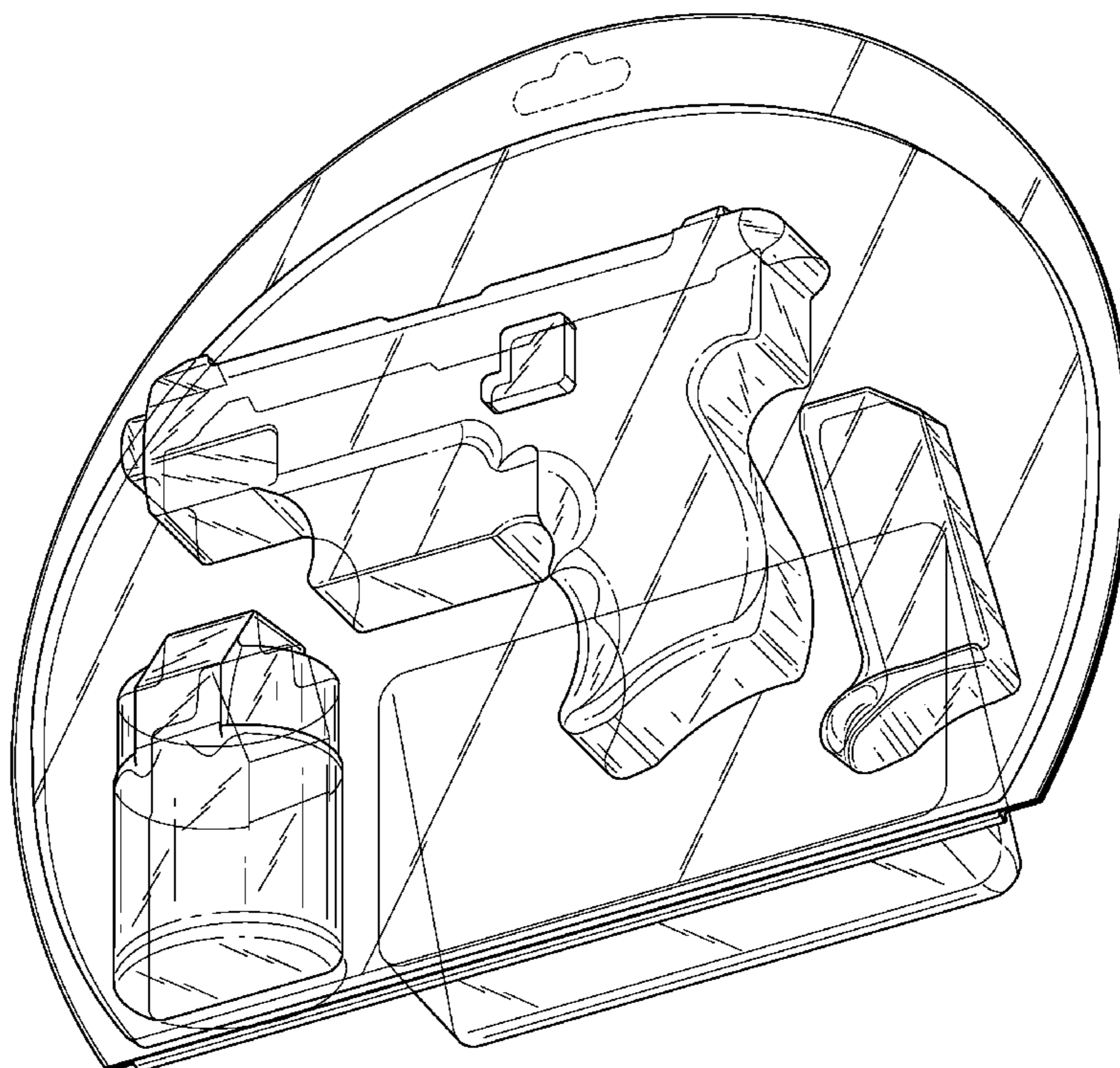
FIG. 5 is a top plan view thereof;

FIG. 6 is a bottom plan view thereof; and,

FIG. 7 is a right elevational view thereof.

The broken line showing of a die cut for hanging is included
for the purpose of illustrating structural environment and
forms no part of the claimed design.

1 Claim, 5 Drawing Sheets



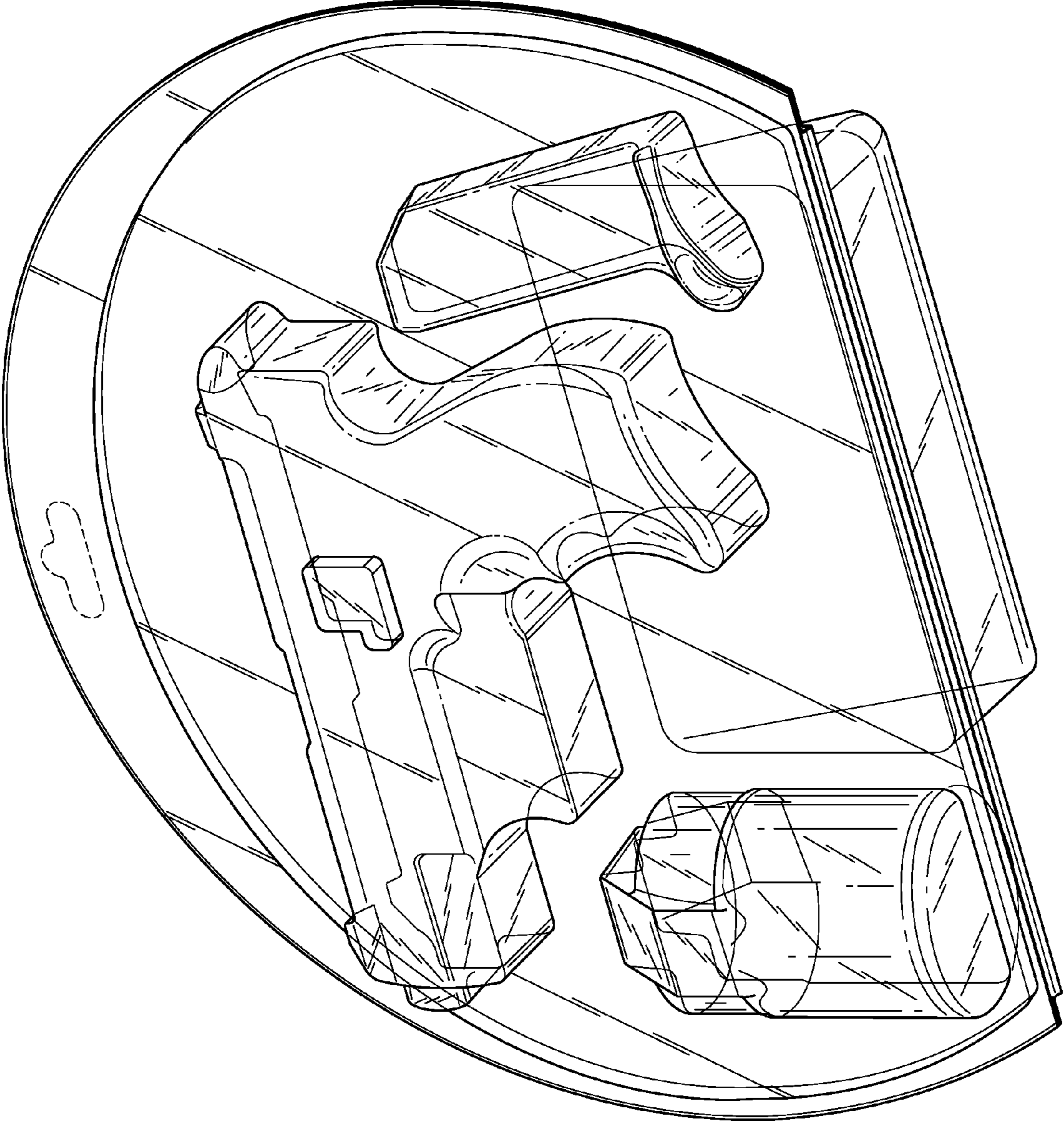


FIG. 1

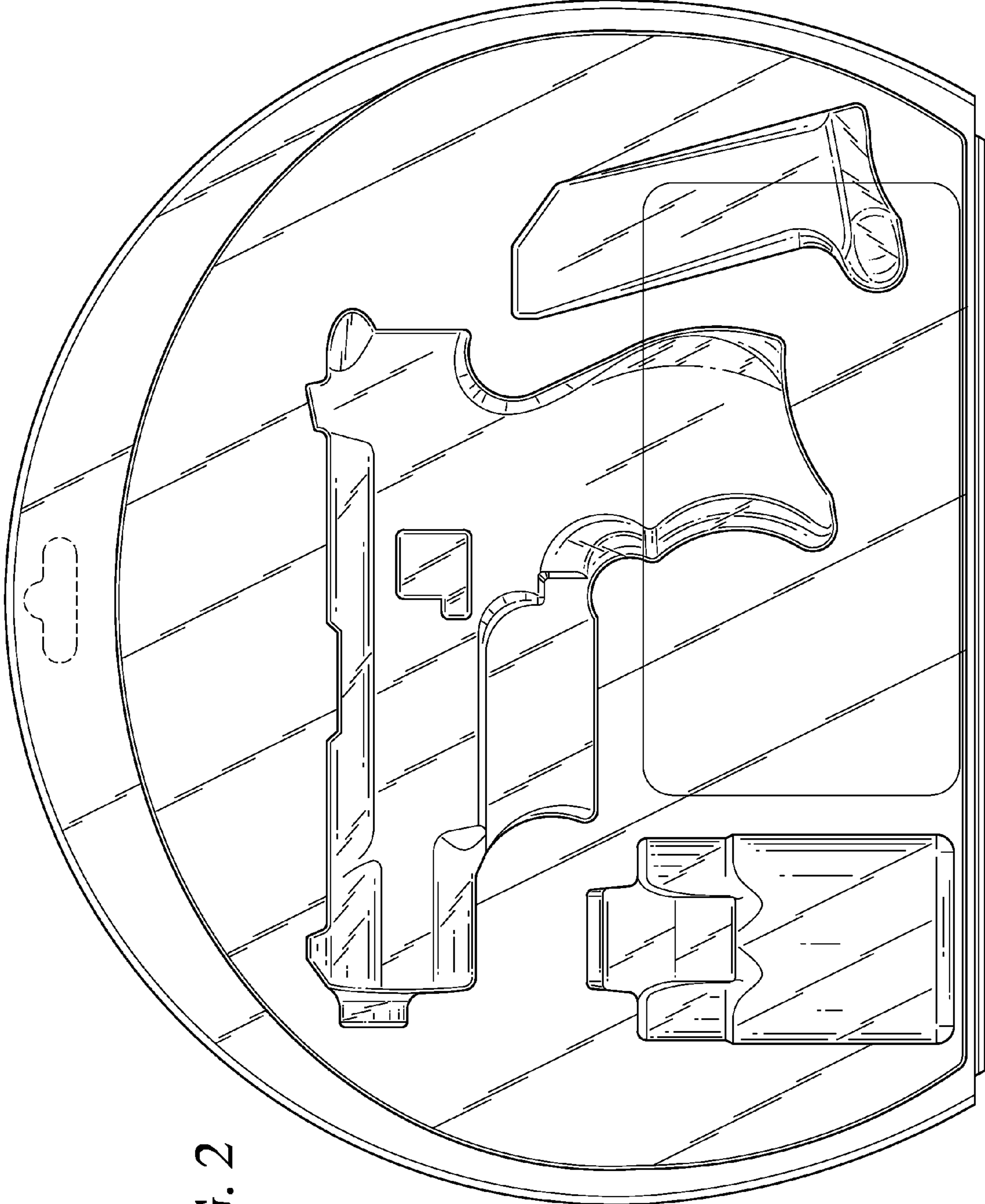


FIG. 2

FIG. 4

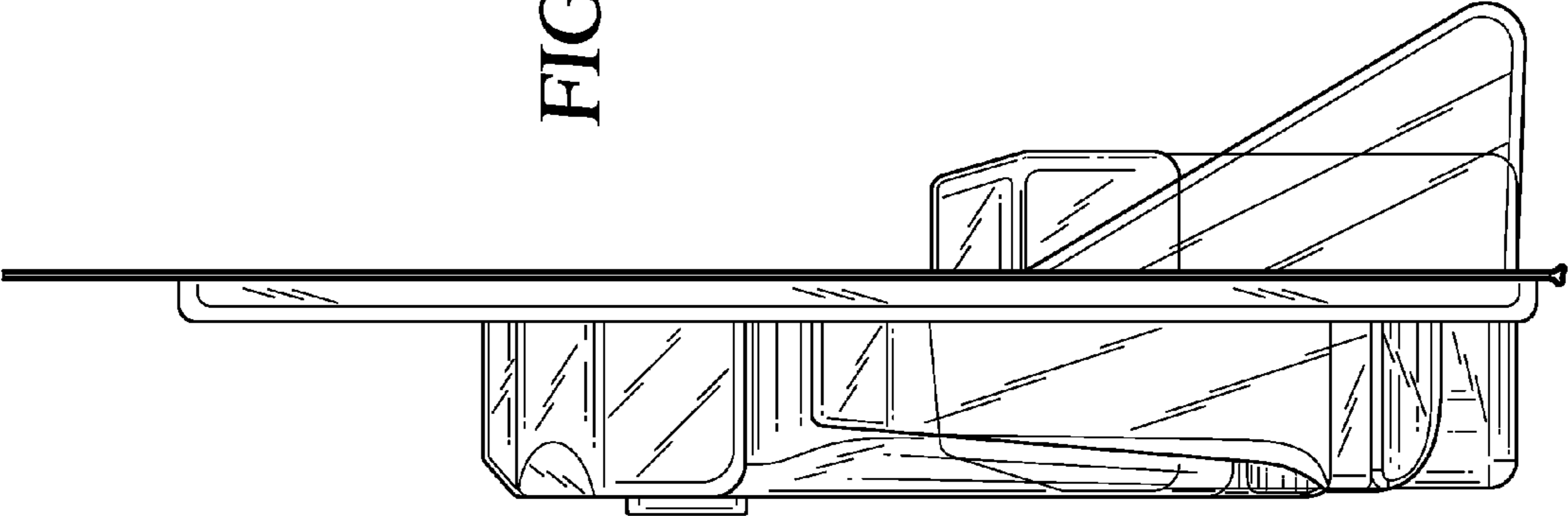
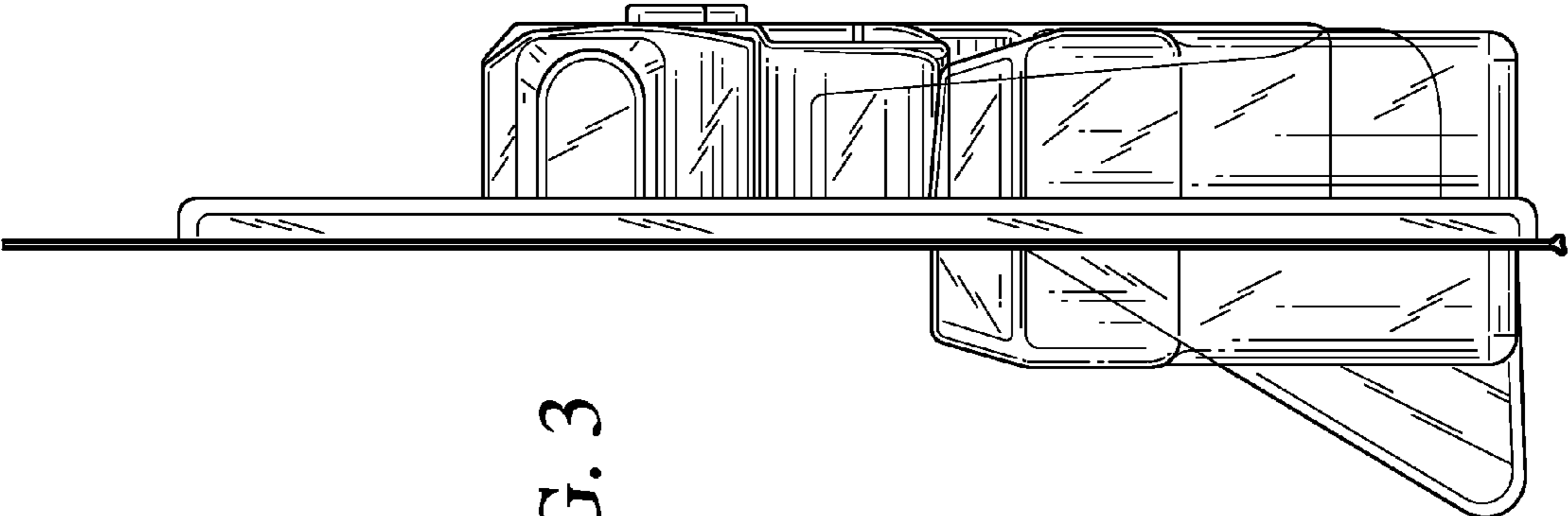


FIG. 3



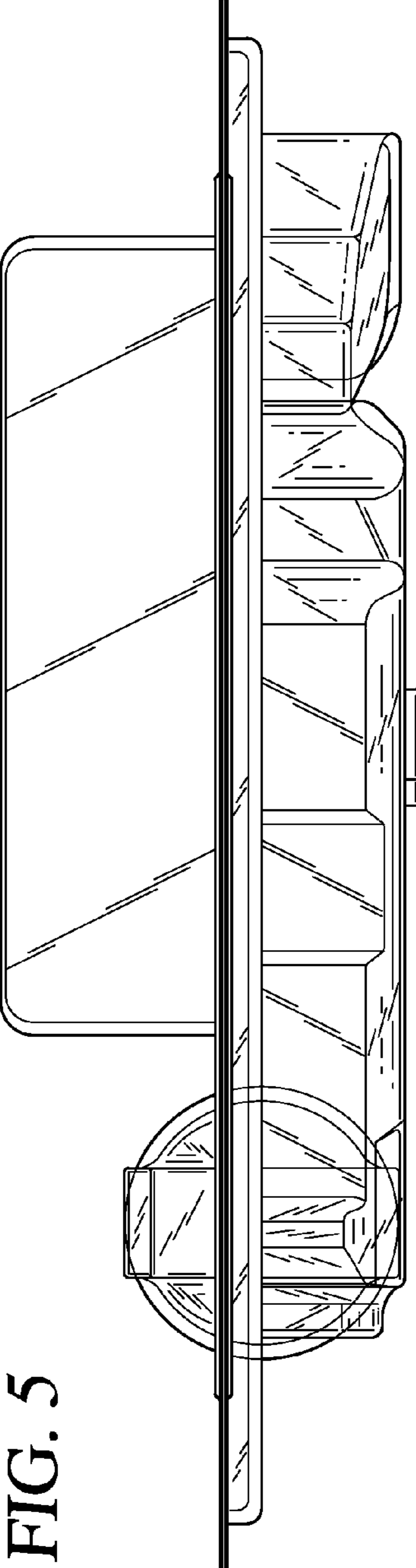


FIG. 5

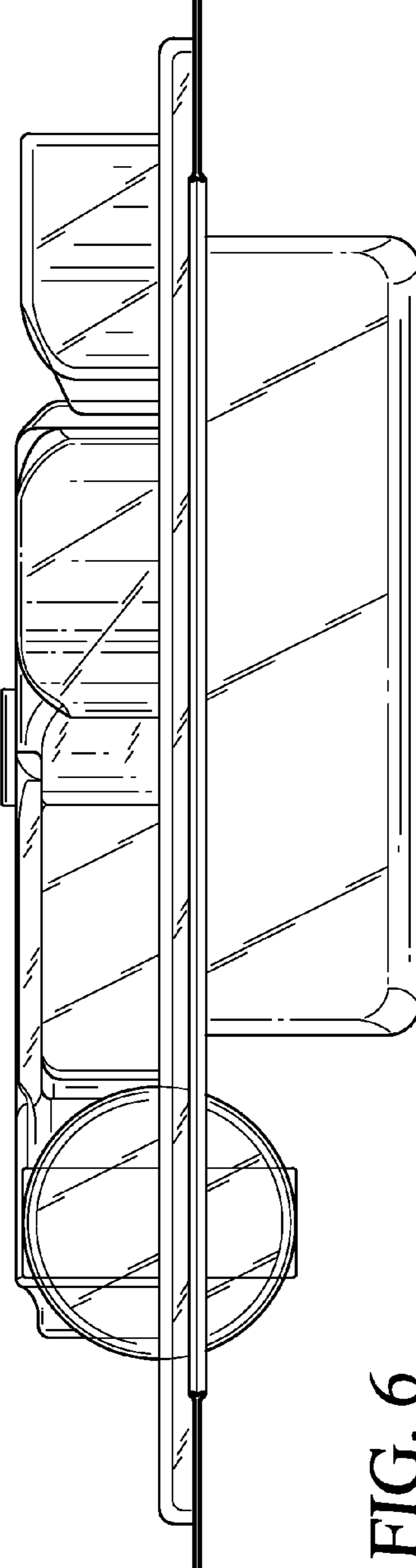


FIG. 6

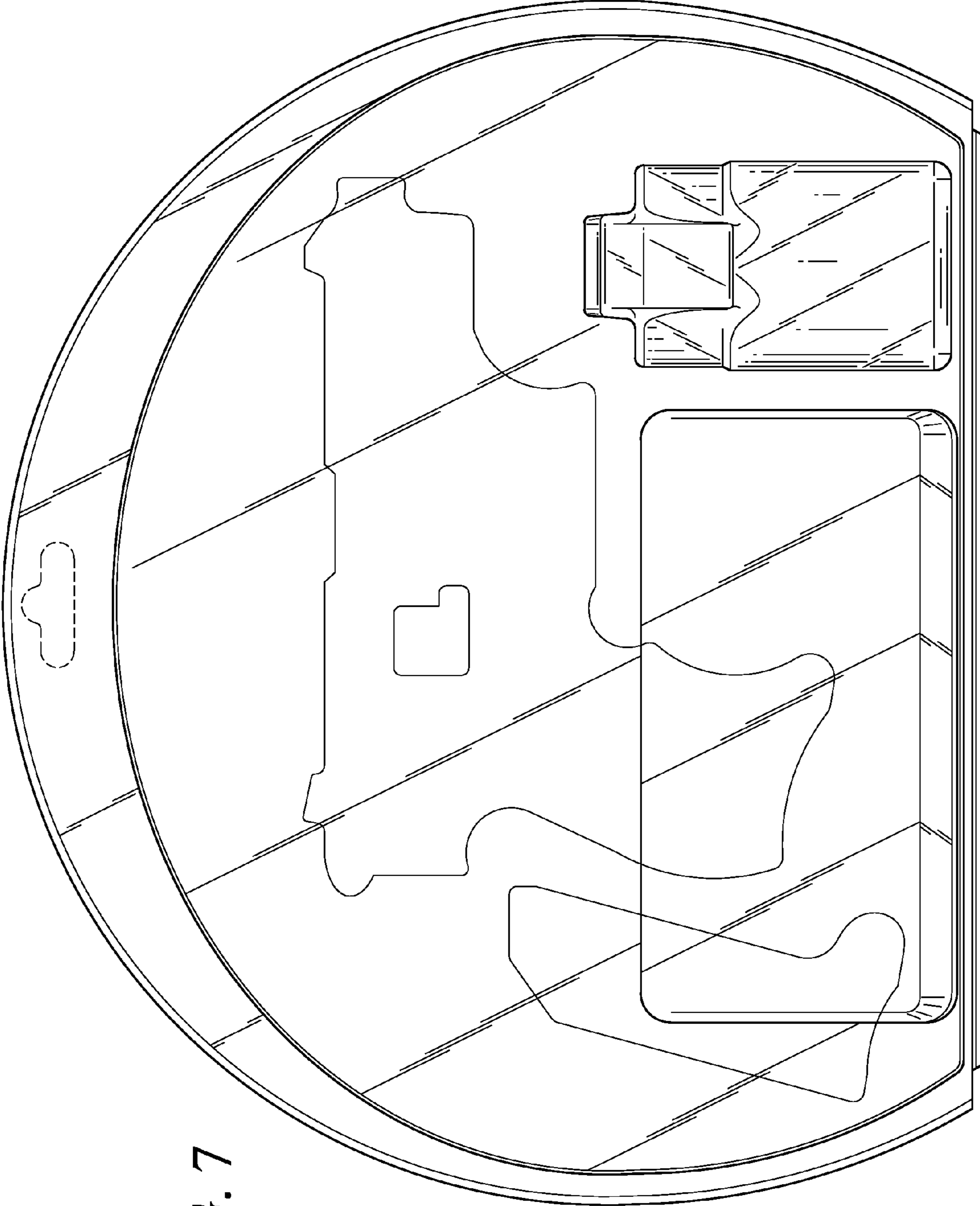


FIG. 7