



US00D576870S

(12) **United States Design Patent**  
**Eason et al.**

(10) **Patent No.:** **US D576,870 S**  
(45) **Date of Patent:** **\*\* Sep. 16, 2008**

(54) **DRUM RACK MEMBER CLAMP**

FOREIGN PATENT DOCUMENTS

(75) Inventors: **Donald H. Eason**, Fort Collins, CO  
(US); **Kazuhito Nakajima**, Hamamatsu  
(JP)

DE 2 307 826 8/1974

(73) Assignees: **Yamaha Corporation**, Hamamatsu,  
Shizuoka (JP); **Swift Distribution, Inc.**,  
Torrence, CA (US)

(Continued)

(\*\*) Term: **14 Years**

<http://www.guitarcenter.com>; Yamaha CL-945 YESS Tom Ball  
Clamp.

(21) Appl. No.: **29/286,243**

OTHER PUBLICATIONS

(22) Filed: **Apr. 27, 2007**

(Continued)

(51) **LOC (8) Cl.** ..... **08-08**

*Primary Examiner*—Robert M. Spear  
*Assistant Examiner*—John Windmuller

(52) **U.S. Cl.** ..... **D8/396; D17/22**

(74) *Attorney, Agent, or Firm*—Santangelo Law Offices, P.C.

(58) **Field of Classification Search** ..... D8/354–356,  
D8/371, 376, 394–396, 382, 377, 380, 381;  
24/16 R, 279, 278, 486, 489, 505, 275, 499,  
24/518; 248/49, 62, 74.1–74.4, 73, 58, 72;  
D17/22; D12/118; 84/421, 327, 411 R

(57) **CLAIM**

See application file for complete search history.

The ornamental design for a drum rack member clamp, as  
shown and described.

(56) **References Cited**

**DESCRIPTION**

U.S. PATENT DOCUMENTS

259,957 A	6/1882	White	
438,238 A	10/1890	Jefferies et al.	
566,361 A	8/1896	White	
D35,028 S *	9/1901	Ricker	D8/396
1,451,881 A *	4/1923	McMullen	248/230.5
D186,331 S *	10/1959	Hosking	D8/382
3,191,484 A	6/1965	Walling	
3,405,587 A	10/1968	Meazzi et al.	
3,535,976 A	10/1970	Osuga	
3,576,149 A	4/1971	Slingerland, Jr.	
3,704,645 A	12/1972	Grauso et al.	
3,989,321 A	11/1976	McCloskey	
4,141,272 A	2/1979	Yanagisawa	
4,158,981 A	6/1979	Kurosaki	
4,453,446 A	6/1984	Hoshino	
4,796,508 A	1/1989	Hoshino	
5,371,991 A *	12/1994	Bechtel et al.	52/686
5,393,161 A	2/1995	Mata et al.	

The design is embodied in a clamp usable to attach two drum  
rack members (e.g., two drum rack tiers).

FIG. 1 is a perspective view of a drum rack member clamp  
showing our new design;

FIG. 2 is a front view thereof;

FIG. 3 is a rear view thereof;

FIG. 4 is a left side view thereof;

FIG. 5 is a right side view thereof;

FIG. 6 is a top view thereof; and,

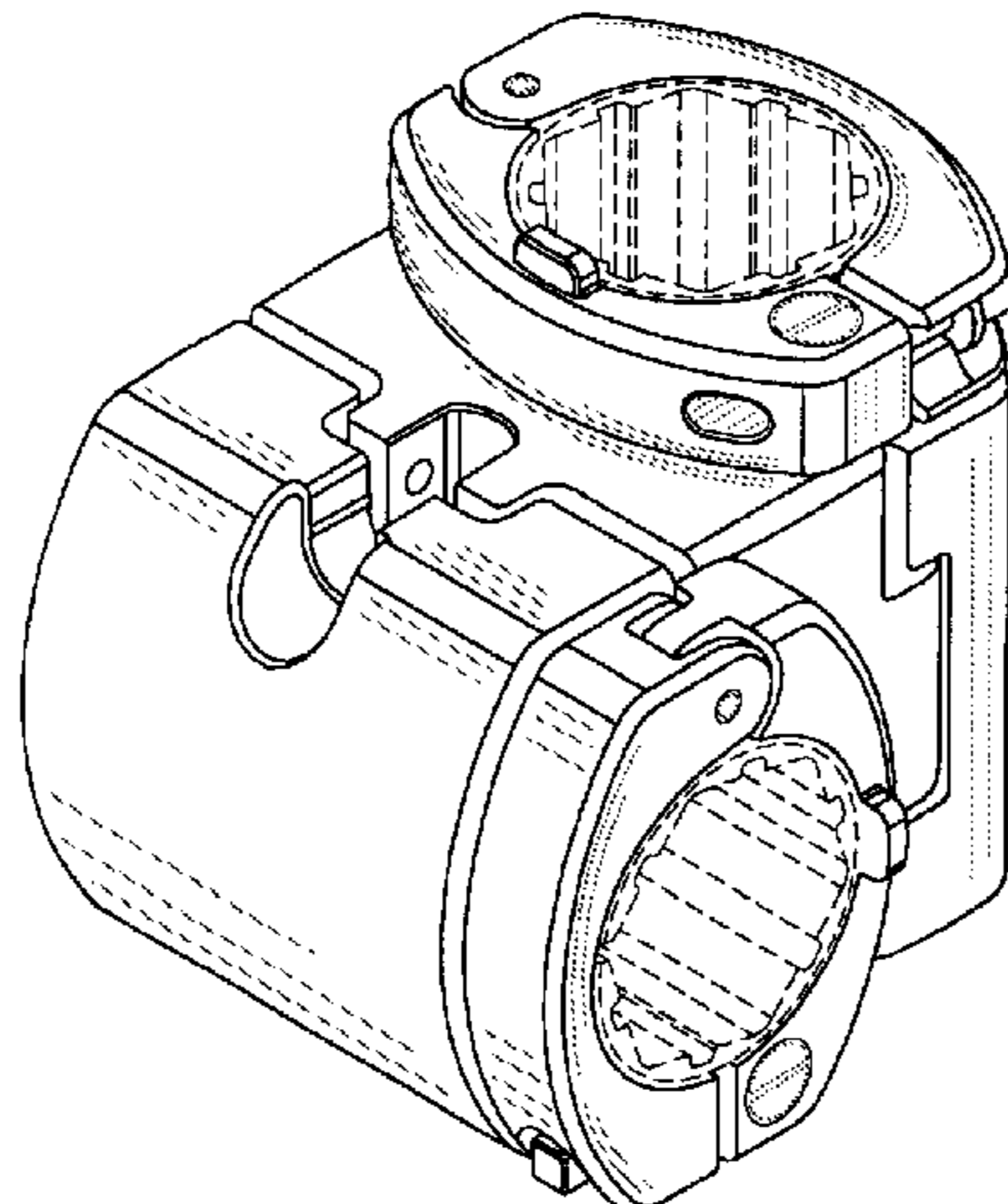
FIG. 7 is a bottom view thereof.

The broken lines in the figures illustrate environment only  
and form no part of the claimed design.

The dot-dot-dash lines in FIGS. 5 and 7 indicate the bound-  
aries of the claimed design.

(Continued)

**1 Claim, 4 Drawing Sheets**



U.S. PATENT DOCUMENTS

5,645,253 A 7/1997 Hoshino  
 5,697,591 A \* 12/1997 Cooper ..... 248/229.16  
 5,803,642 A 9/1998 Sassmannshausen  
 5,804,747 A 9/1998 Chen  
 5,895,874 A 4/1999 Liao  
 5,949,009 A 9/1999 Chen  
 5,973,248 A 10/1999 Chen  
 D417,141 S \* 11/1999 Senninger ..... D8/395  
 6,054,645 A 4/2000 Gauger  
 6,070,835 A 6/2000 Stillinger  
 6,075,190 A 6/2000 Mosser et al.  
 6,093,878 A 7/2000 Hoshino  
 6,264,396 B1 7/2001 Dobrovolny  
 6,346,665 B1 2/2002 Liao  
 6,513,774 B2 2/2003 Hailson  
 6,520,465 B1 2/2003 Sack et al.  
 6,653,540 B2 11/2003 Izen et al.  
 7,055,910 B2 6/2006 Wright  
 7,191,988 B2 \* 3/2007 Kim et al. .... 248/68.1  
 2002/0194979 A1 \* 12/2002 Hsieh ..... 84/421

FOREIGN PATENT DOCUMENTS

DE GM 78 06 168 6/1978  
 DE 3134910 A1 3/1983  
 GB 1154508 6/1969

OTHER PUBLICATIONS

Konig & Meyer Spider Keyboard Stand, audioMIDI.com Dec. 28, 2004.

Ultimate Support Systems, Inc. 1994 Product Catalog.  
 Ultimate Support Systems, Inc. 1996 Product Catalog.  
 Ultimate Support Systems, Inc. 1999 Product Catalog.  
 Ultimate Support Systems, Inc. 2000 Product Catalog.  
 Ultimate Support Systems, Inc. 2001 Product Catalog.  
 Ultimate Support Systems, Inc. 2002 Product Catalog.  
 Ultimate Support Systems, Inc. 2003 Product Catalog.  
 Ultimate Support Systems, Inc. 2004 Product Catalog (Bicycle Stand Edition).  
 Ultimate Support Systems, Inc. 2004 Product Catalog.  
 Ultimate Support Systems, Inc. 2005 Product Catalog (Bicycle Stand Edition).  
 Ultimate Support Systems, Inc. 2005 Product Catalog (Music Stand Edition).  
 Ultimate Support Systems, Inc. 1992 Bicycle Repair Station Product Brochure (2 pages).  
 Ultimate Support Systems, Inc. 1993 Bicycle Support Product Catalog and Price List.  
 Ultimate Support Systems, Inc. 1993 Product Catalog (Music Stand Edition).  
 Ultimate Support Systems, Inc. 1995 Bicycle Support Domestic Confidential Dealer Price List.  
 Ultimate Support Systems, Inc. 1998 Product Catalog (Music Stand Edition).  
 Ultimate Support Systems, Inc. 2000 Bicycle Support Product Catalog.  
 Ultimate Support Systems, Inc. 2001/2002 Bicycle Support Product Catalog.  
 Ultimate Support Systems, Inc. 2004 Product Catalog (Bicycle Stand Edition).

\* cited by examiner

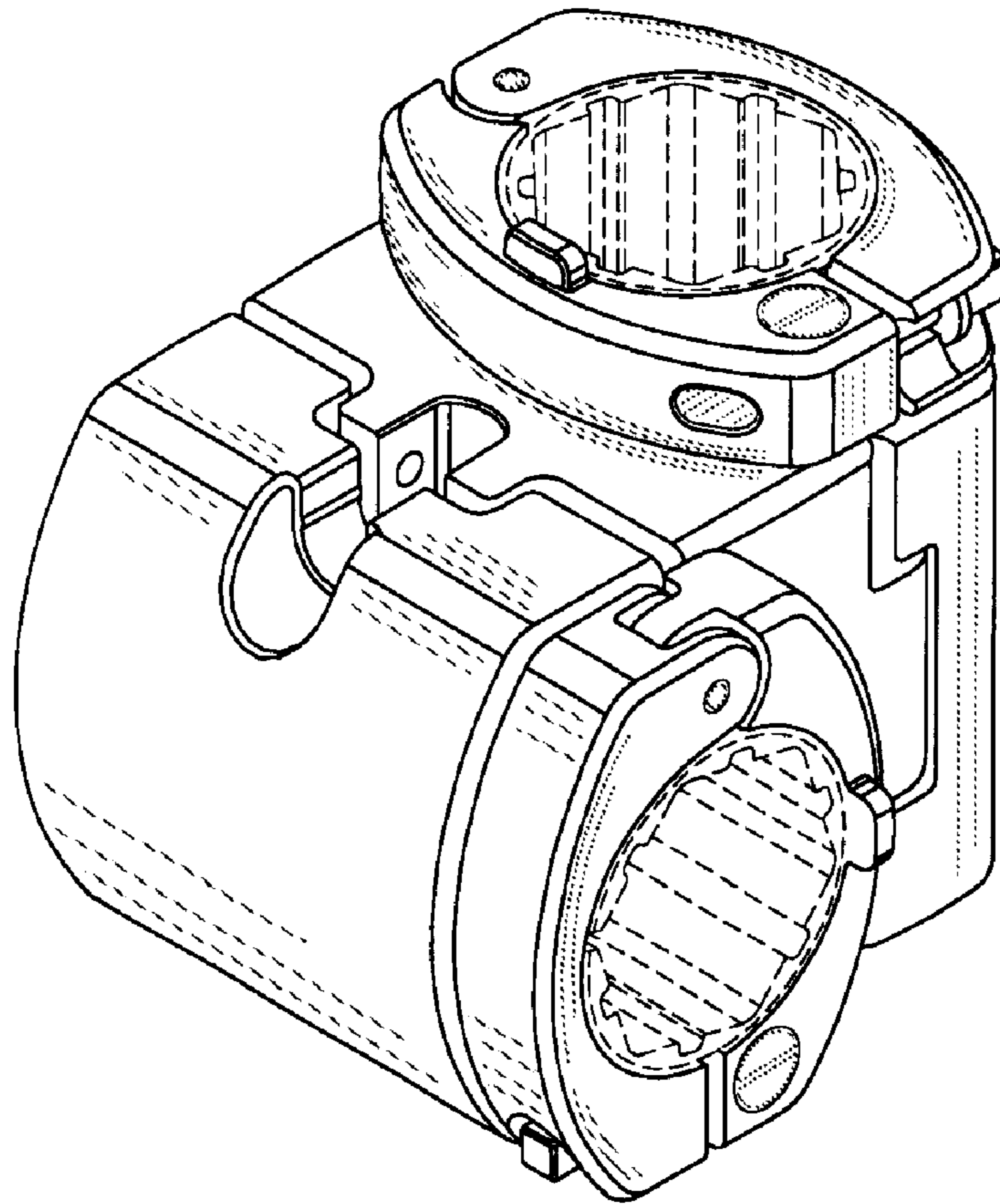


Fig. 1

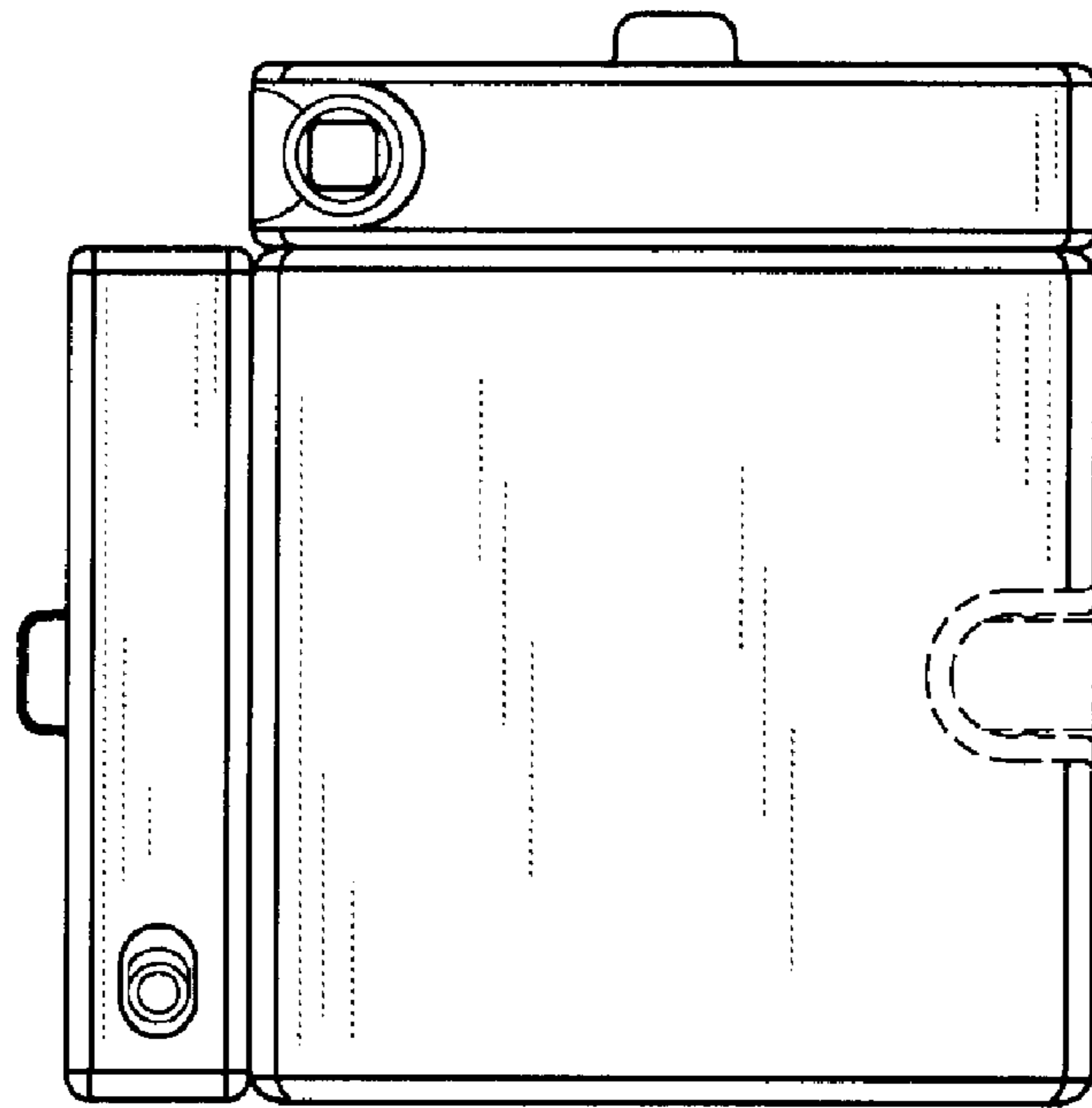


Fig. 2

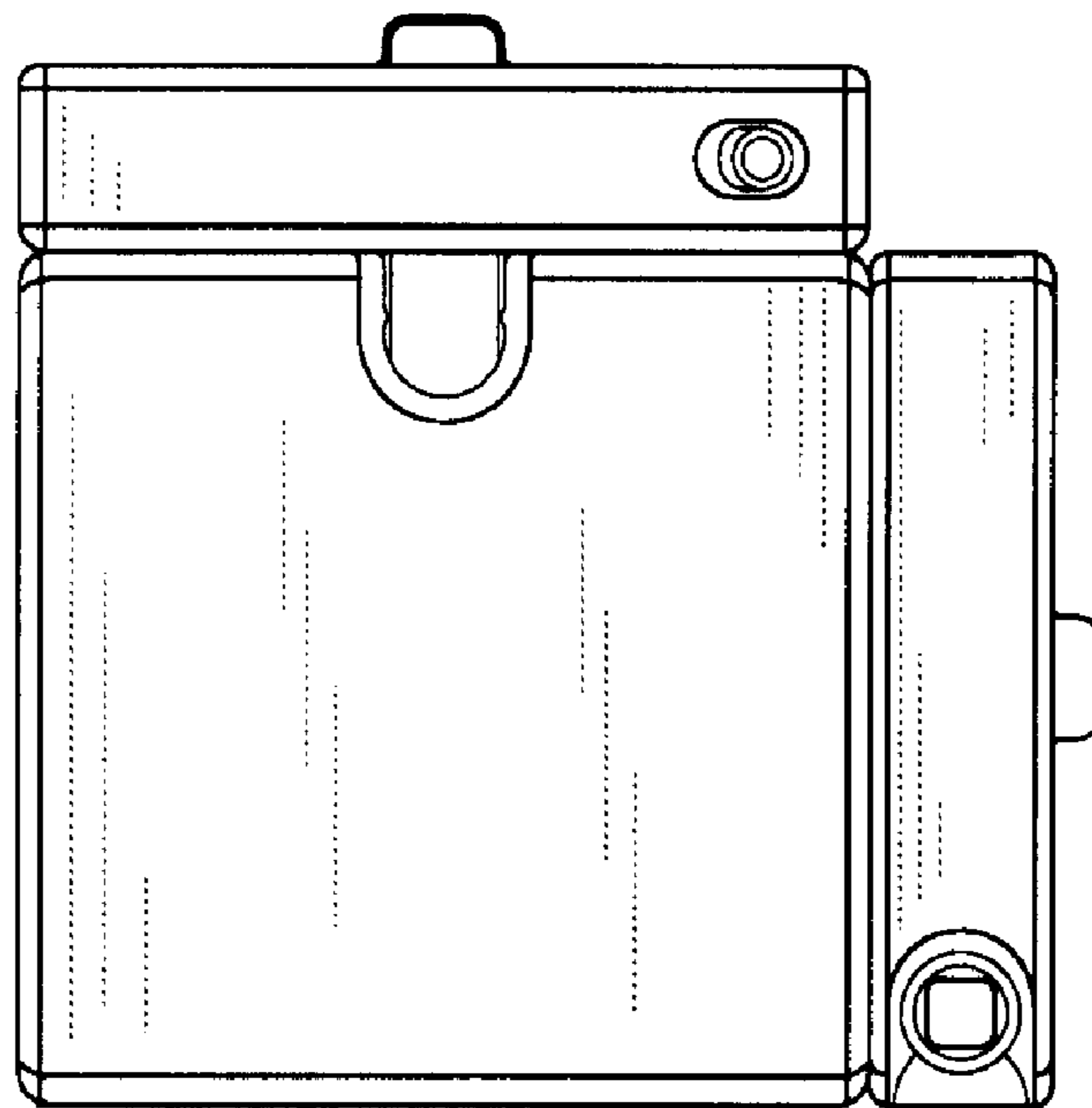


Fig. 3

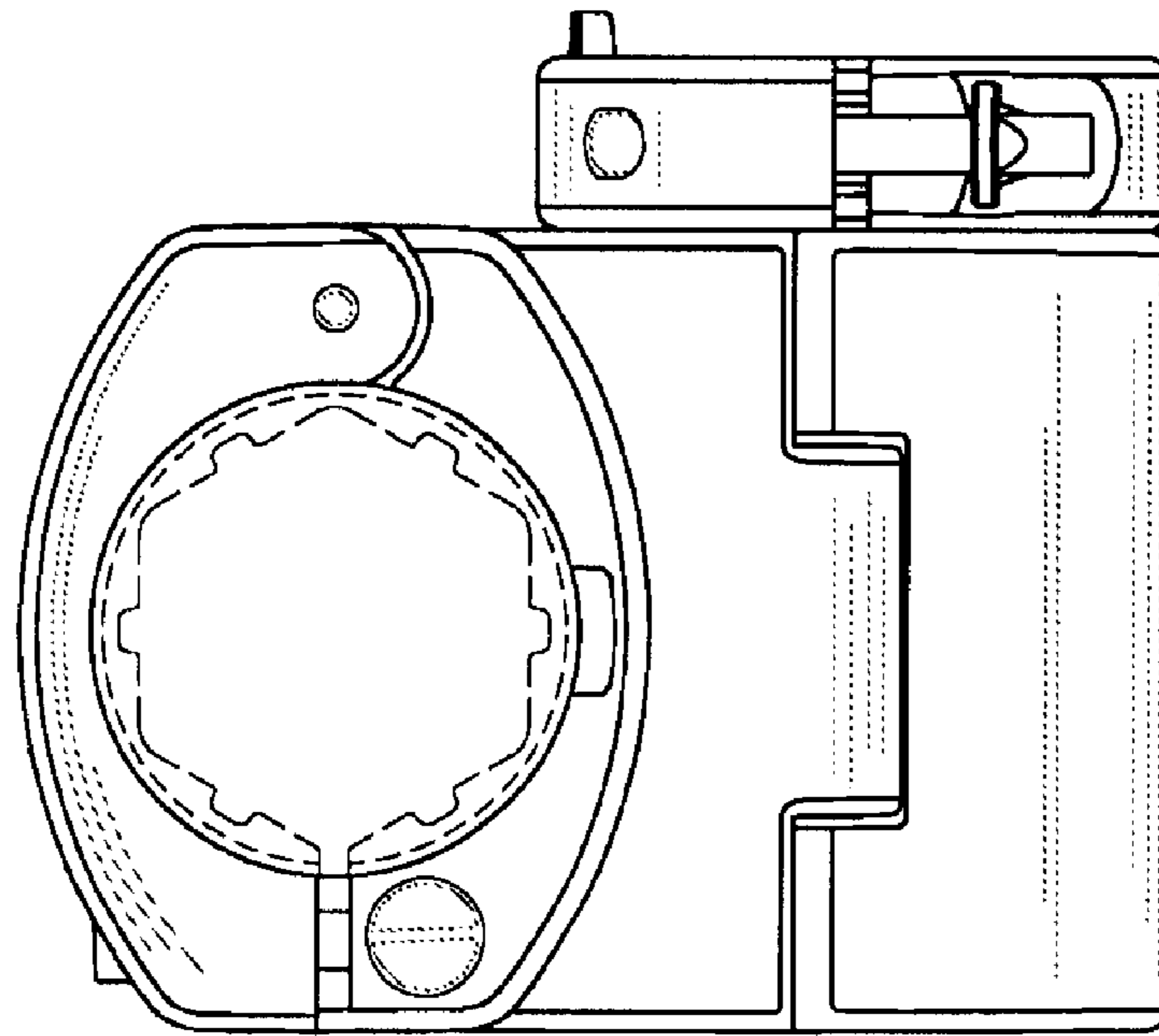


Fig. 4

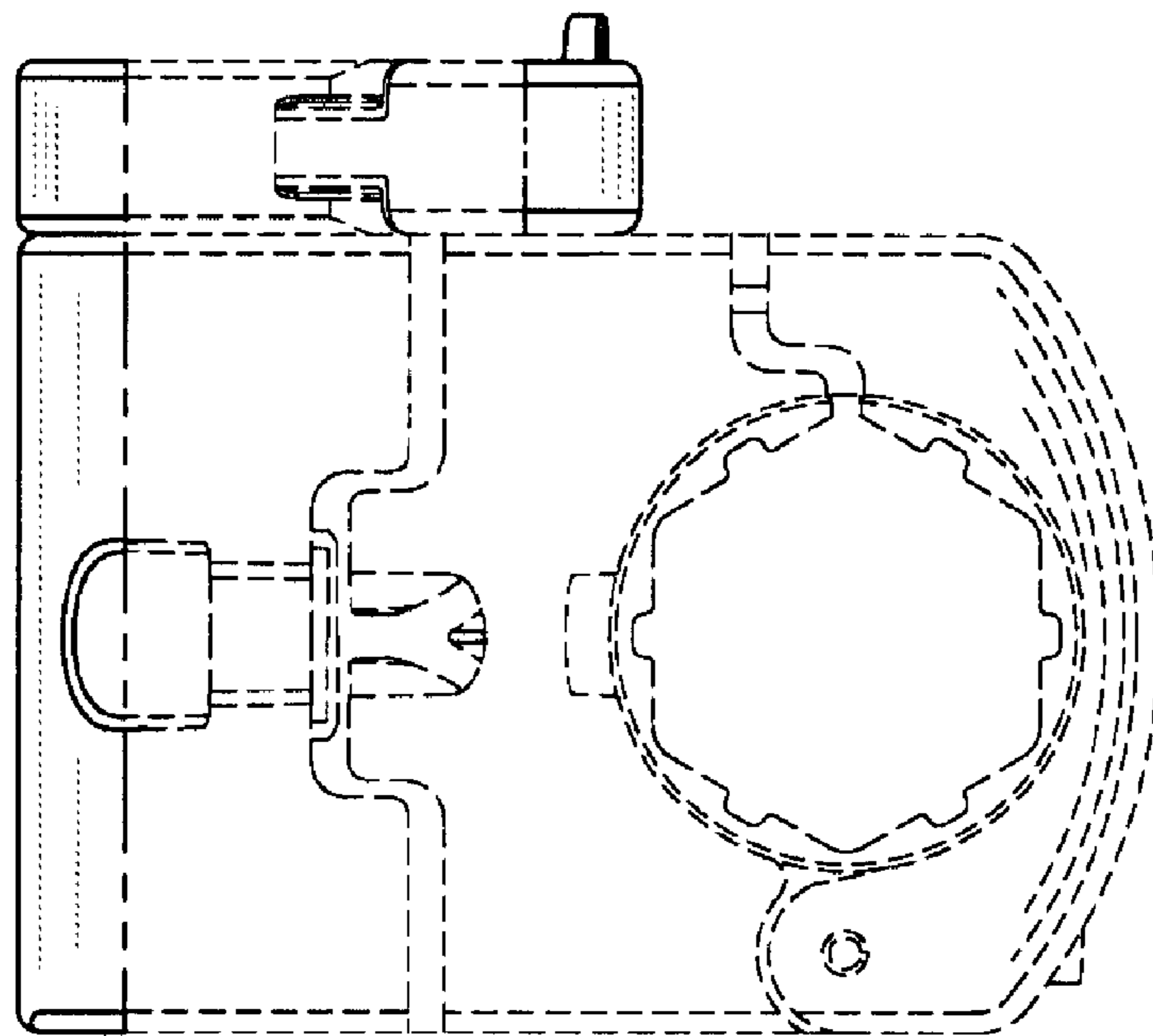


Fig. 5

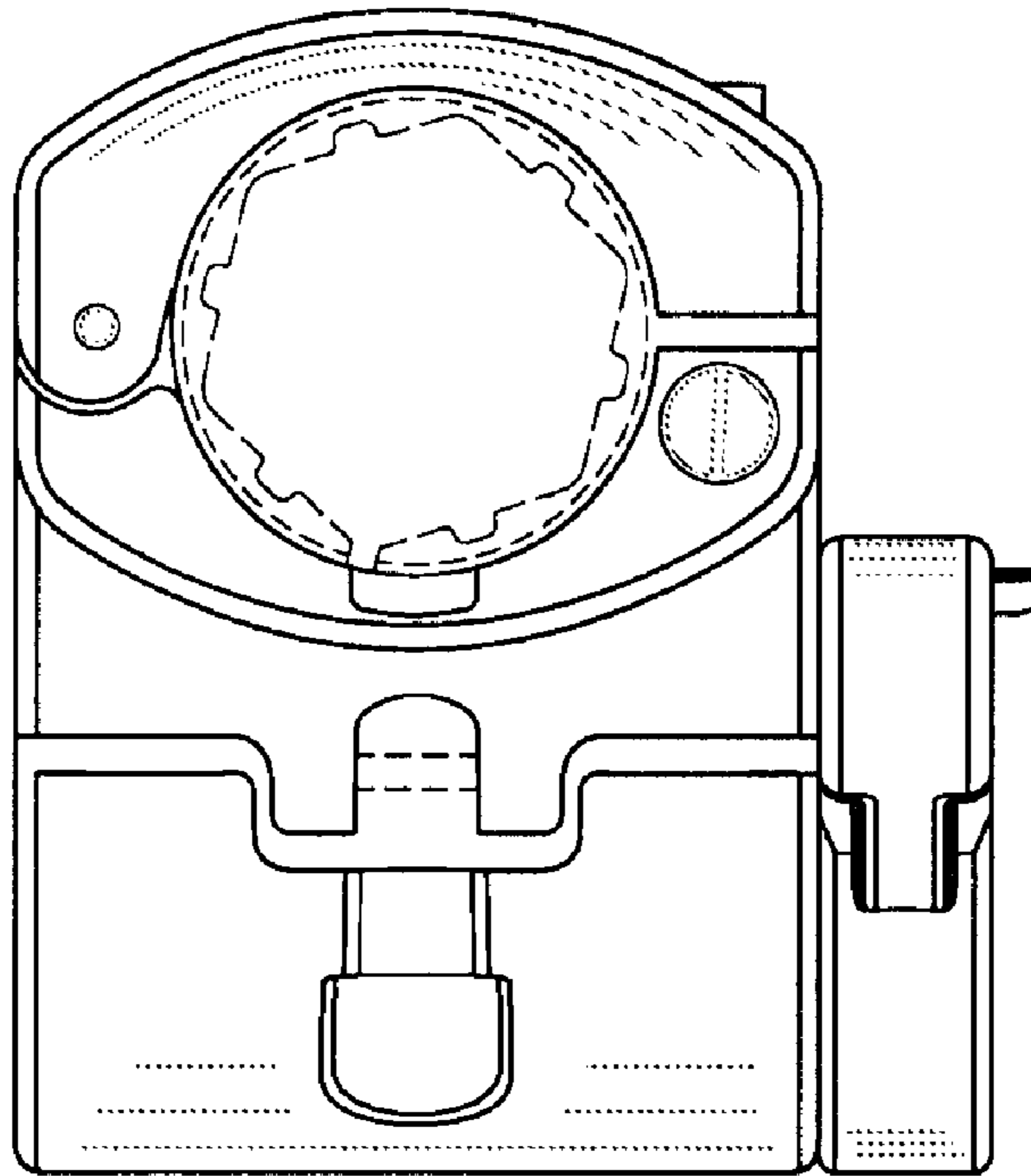


Fig. 6

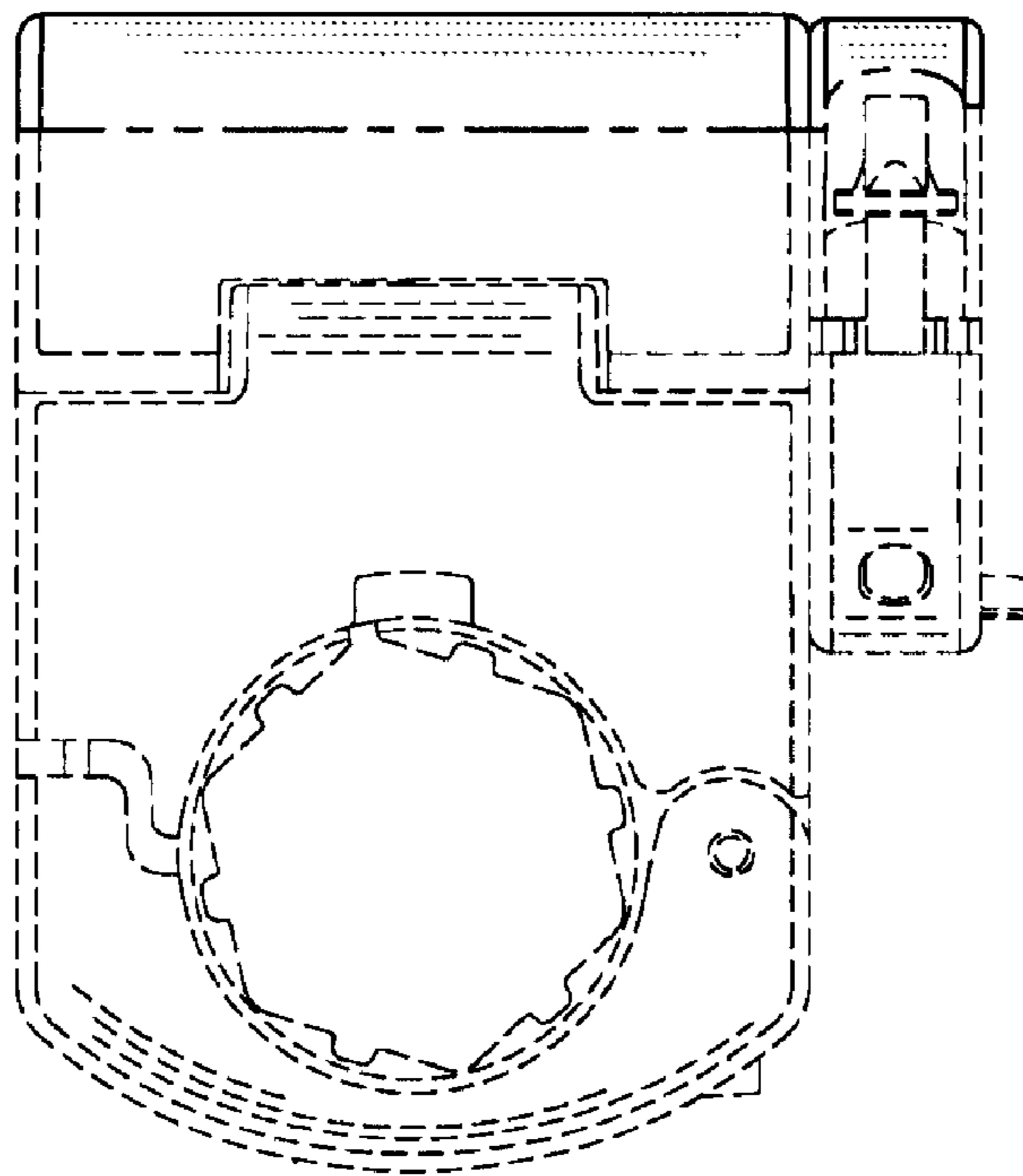


Fig. 7