



US00D576869S

(12) **United States Design Patent**
Yabe et al.

(10) **Patent No.:** **US D576,869 S**

(45) **Date of Patent:** **** Sep. 16, 2008**

(54) **CLIP FOR BATTERY PACK**

D432,906 S * 10/2000 Stoddard D8/395

(75) Inventors: **Tomohiro Yabe**, Tokyo (JP); **Michio Deguchi**, Tokyo (JP)

* cited by examiner

(73) Assignee: **Sony Computer Entertainment Inc.**, Tokyo (JP)

Primary Examiner—Stella M. Reid
Assistant Examiner—John Windmuller

(**) Term: **14 Years**

(74) *Attorney, Agent, or Firm*—Rader, Fishmen & Grauer, PLLC

(21) Appl. No.: **29/216,858**

(57) **CLAIM**

(22) Filed: **Nov. 10, 2004**

The ornamental design for a clip for battery pack, as shown and described.

(30) **Foreign Application Priority Data**

DESCRIPTION

May 10, 2004 (JP) D2004-013703

FIG. 1 is a front elevational view of a clip for battery pack showing our new design, a rear elevational view thereof being a mirror image;

(51) **LOC (8) Cl.** **08-08**

(52) **U.S. Cl.** **D8/395**

(58) **Field of Classification Search** D8/356, D8/371, 394-396; D19/65, 56; 24/22, 67 R, 24/20 S, 115 R, 546, 563, 910, 343, 67.9; 248/74.2, 215, 227.1, 49, 300, 301, 316.7, 248/51, 489; D13/119

FIG. 2 is a left side elevational view thereof,

FIG. 3 is a right side elevational view thereof;

FIG. 4 is a top plan view thereof;

FIG. 5 is a bottom plan view thereof;

FIG. 6 is a front top perspective view thereof;

FIG. 7 is a rear bottom perspective view thereof;

FIG. 8 is a top plan view thereof, shown in use and at a reduced scale; and,

FIG. 9 is a cross sectional view thereof, taken along the line IX—IX in FIG. 4.

See application file for complete search history.

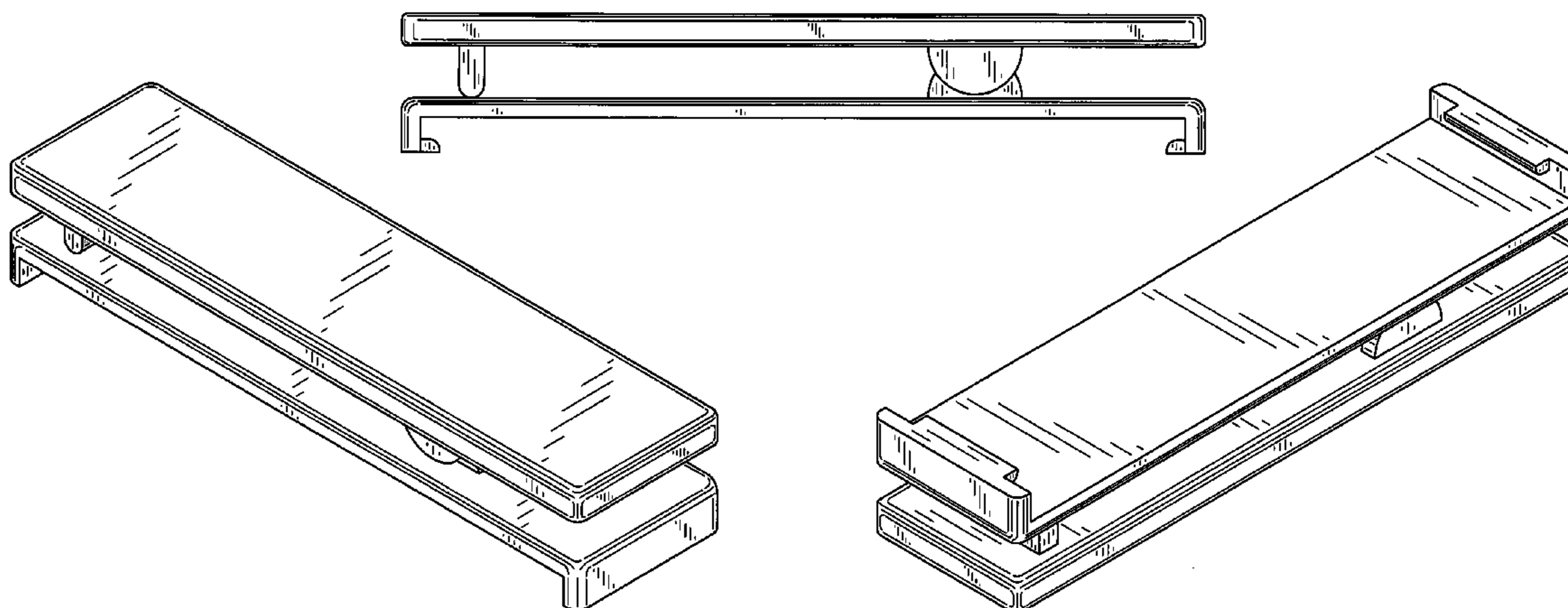
The broken lines showing of the environment are for illustrative purposes only and form no part of the claimed design.

(56) **References Cited**

U.S. PATENT DOCUMENTS

4,457,482 A *	7/1984	Kitagawa	248/74.3
D310,020 S *	8/1990	Fujioka	D8/396
D329,374 S *	9/1992	Kaga	D8/394
D376,534 S *	12/1996	Wolff	D8/395
D389,732 S *	1/1998	Weishaar	D8/396
D396,861 S	8/1998	Yamagishi		

1 Claim, 6 Drawing Sheets



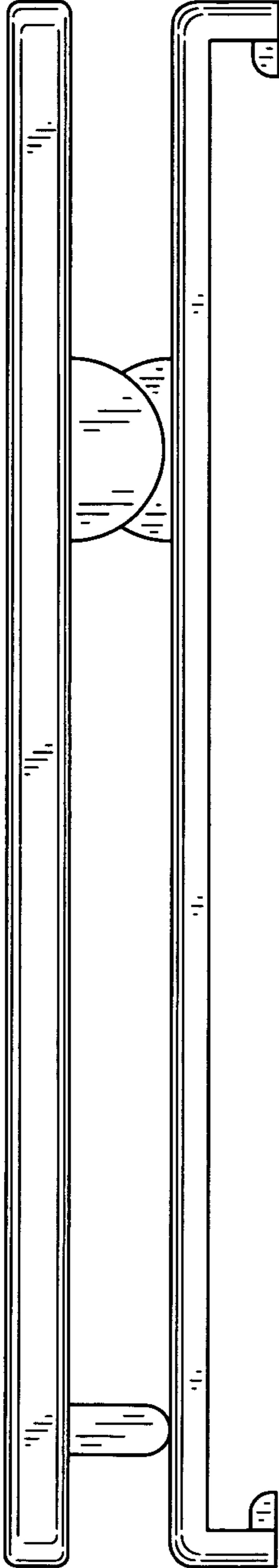


FIG.1

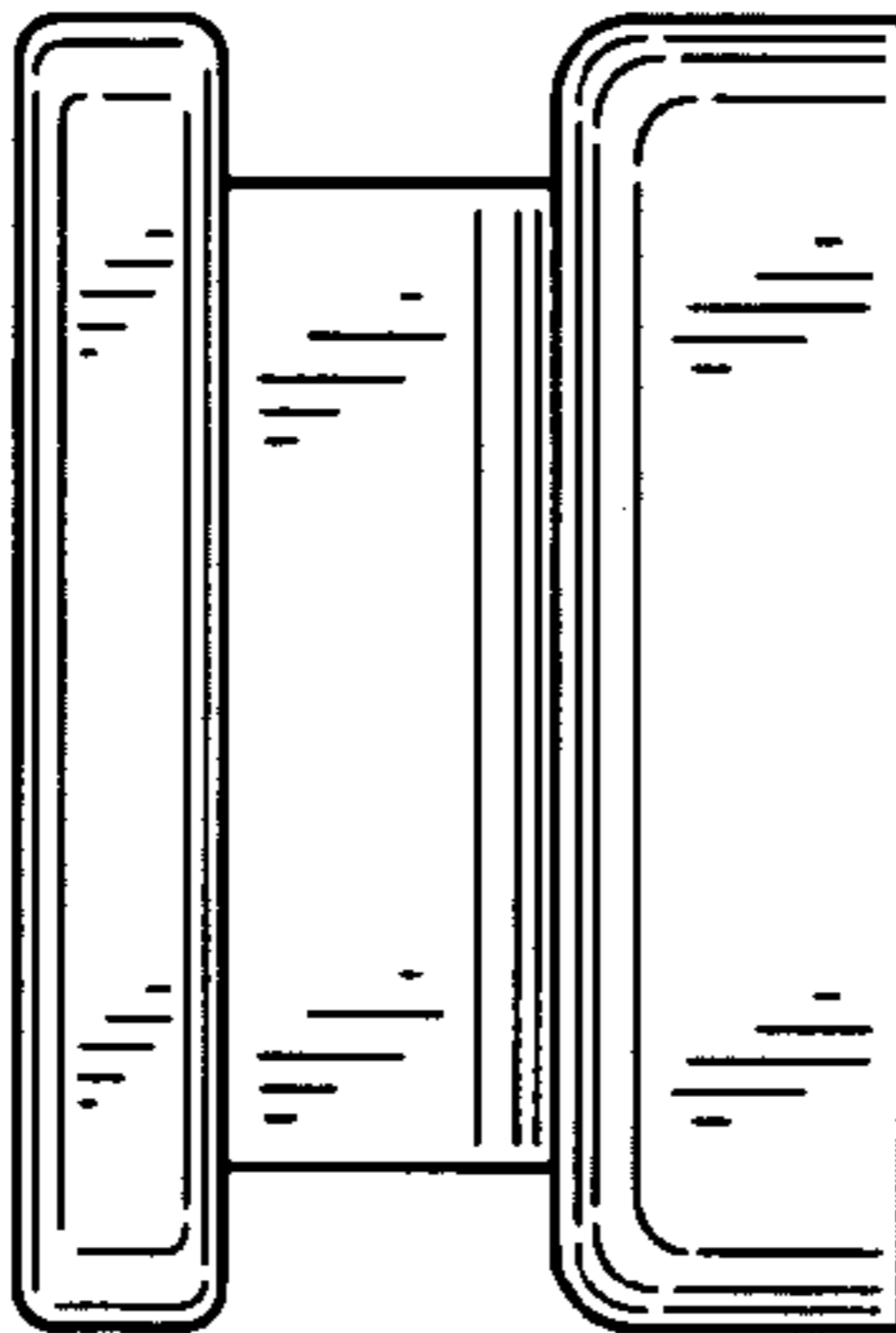


FIG.2

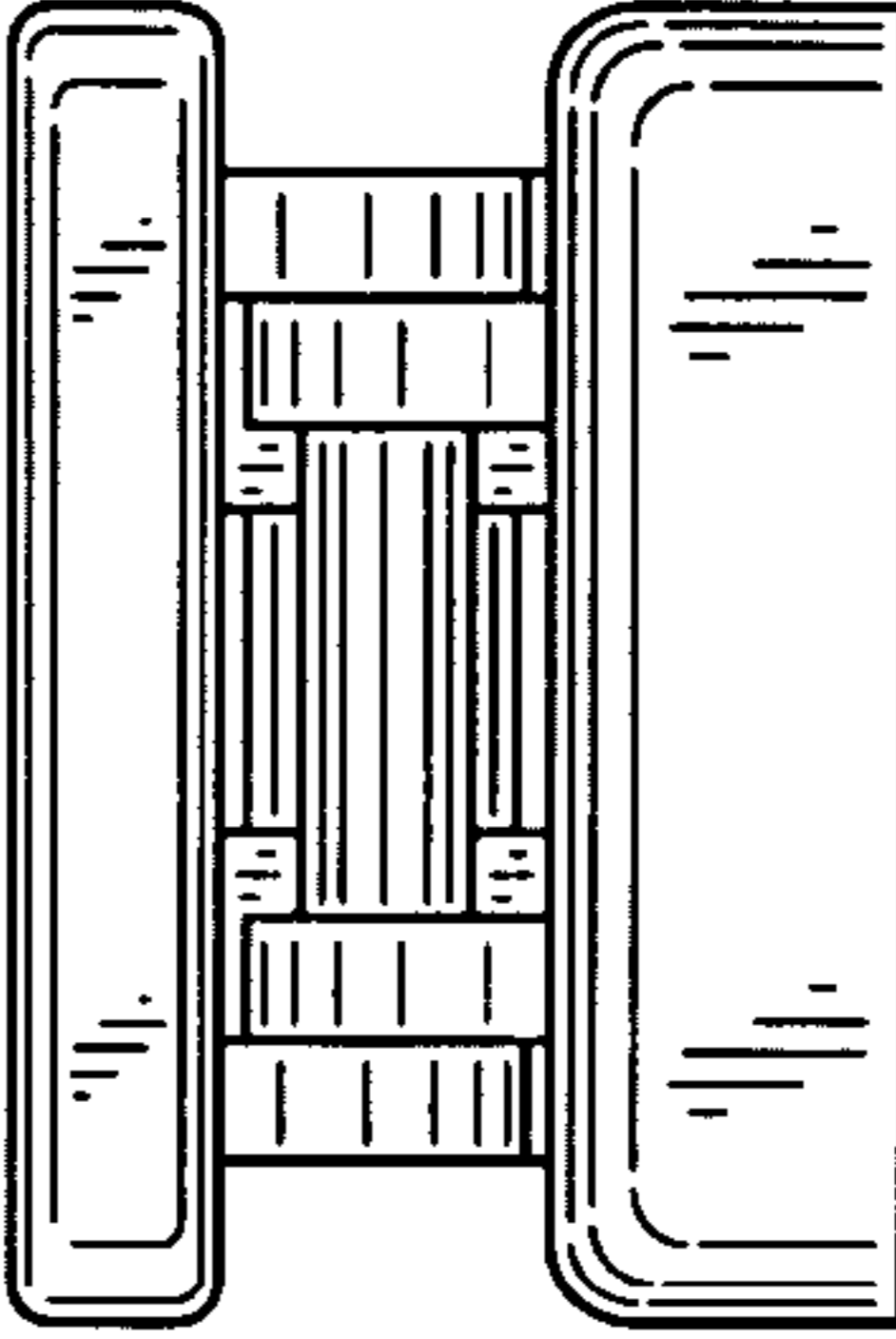


FIG.3

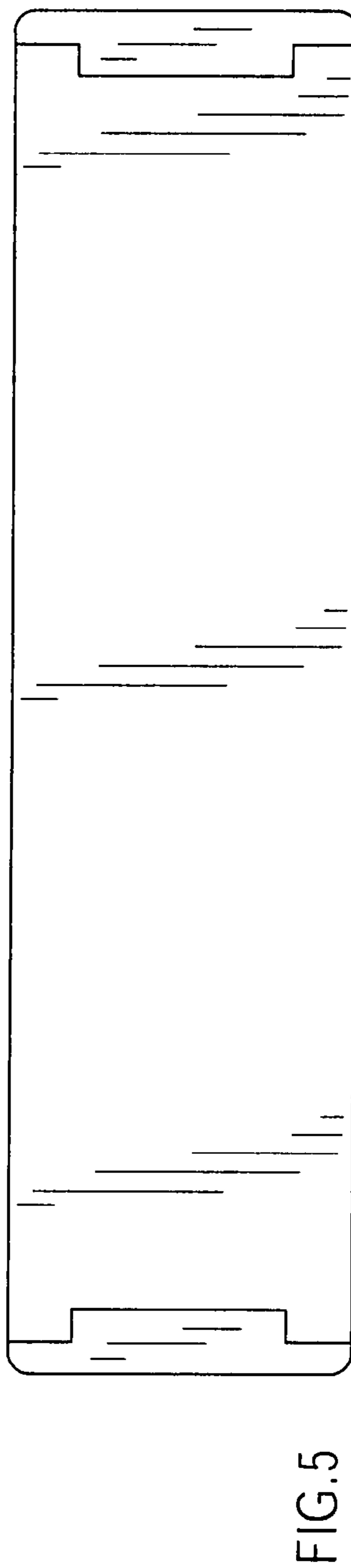
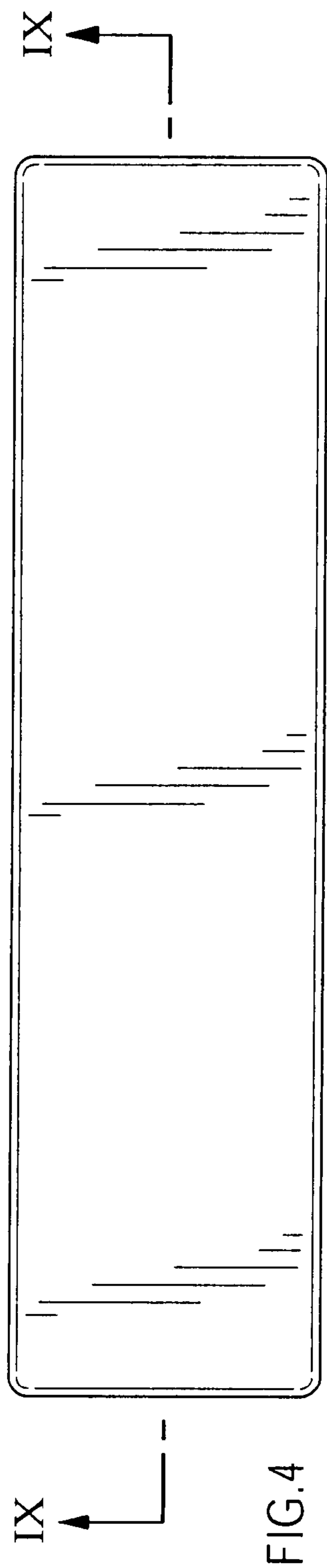
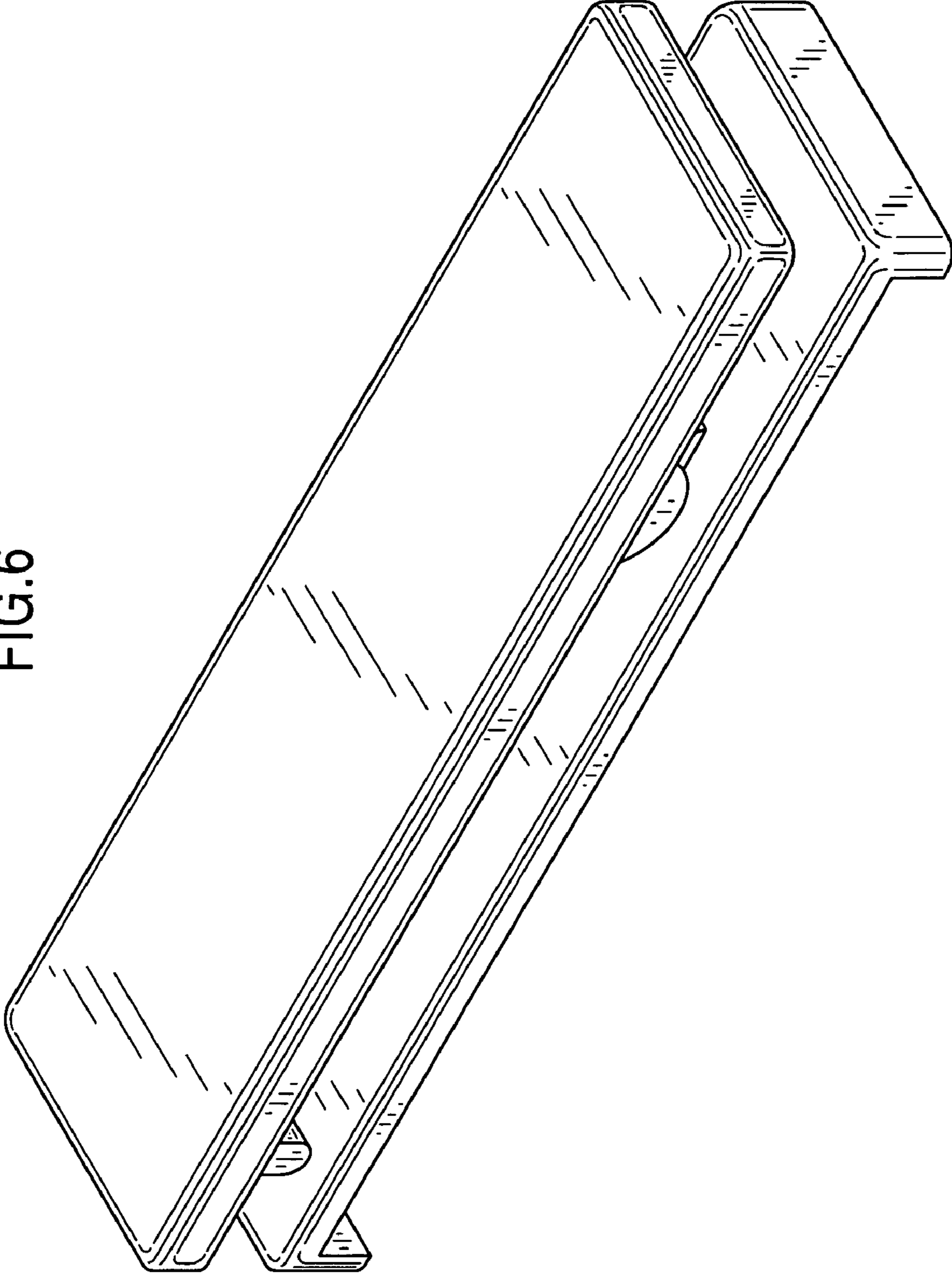


FIG.6



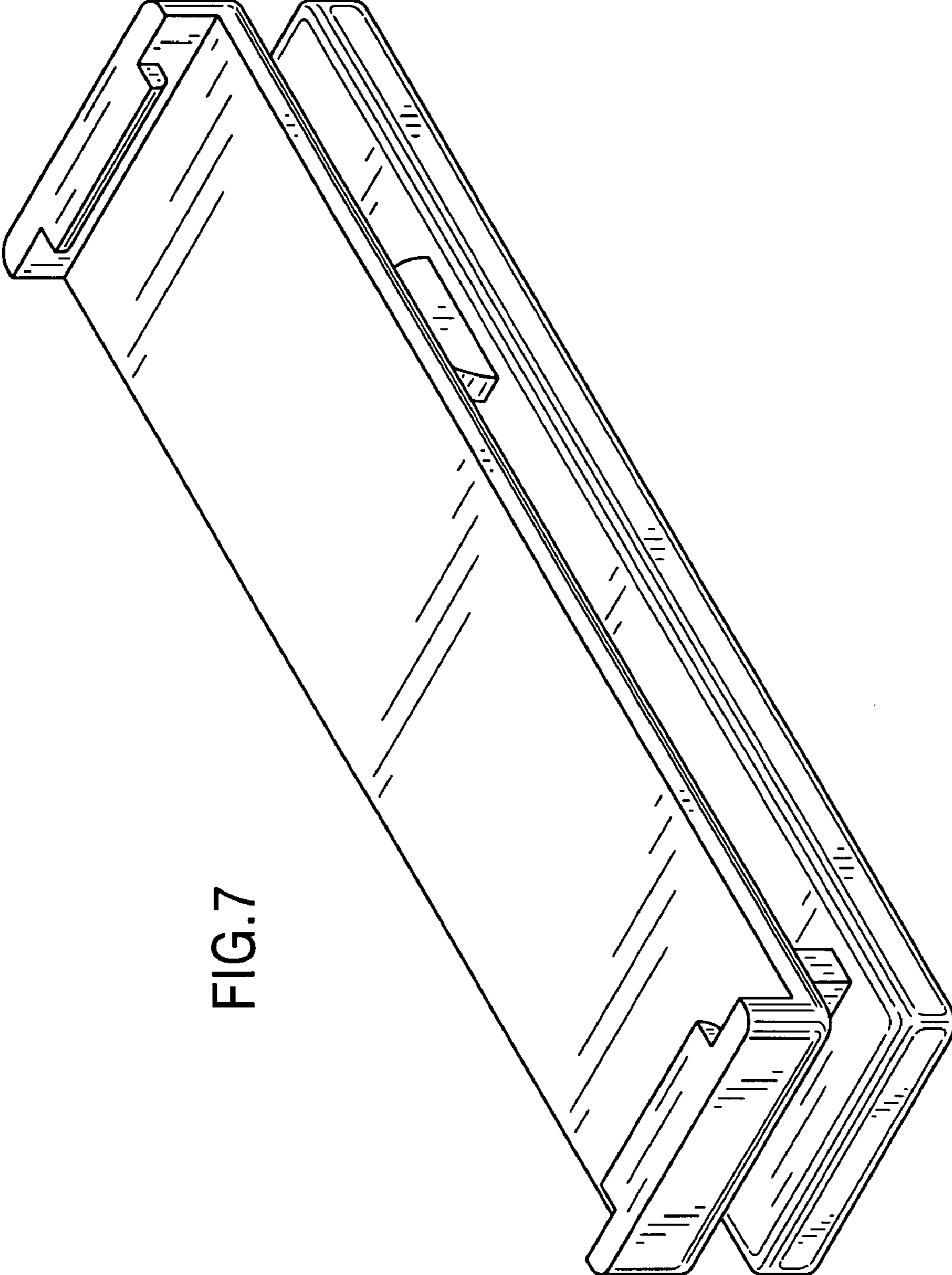
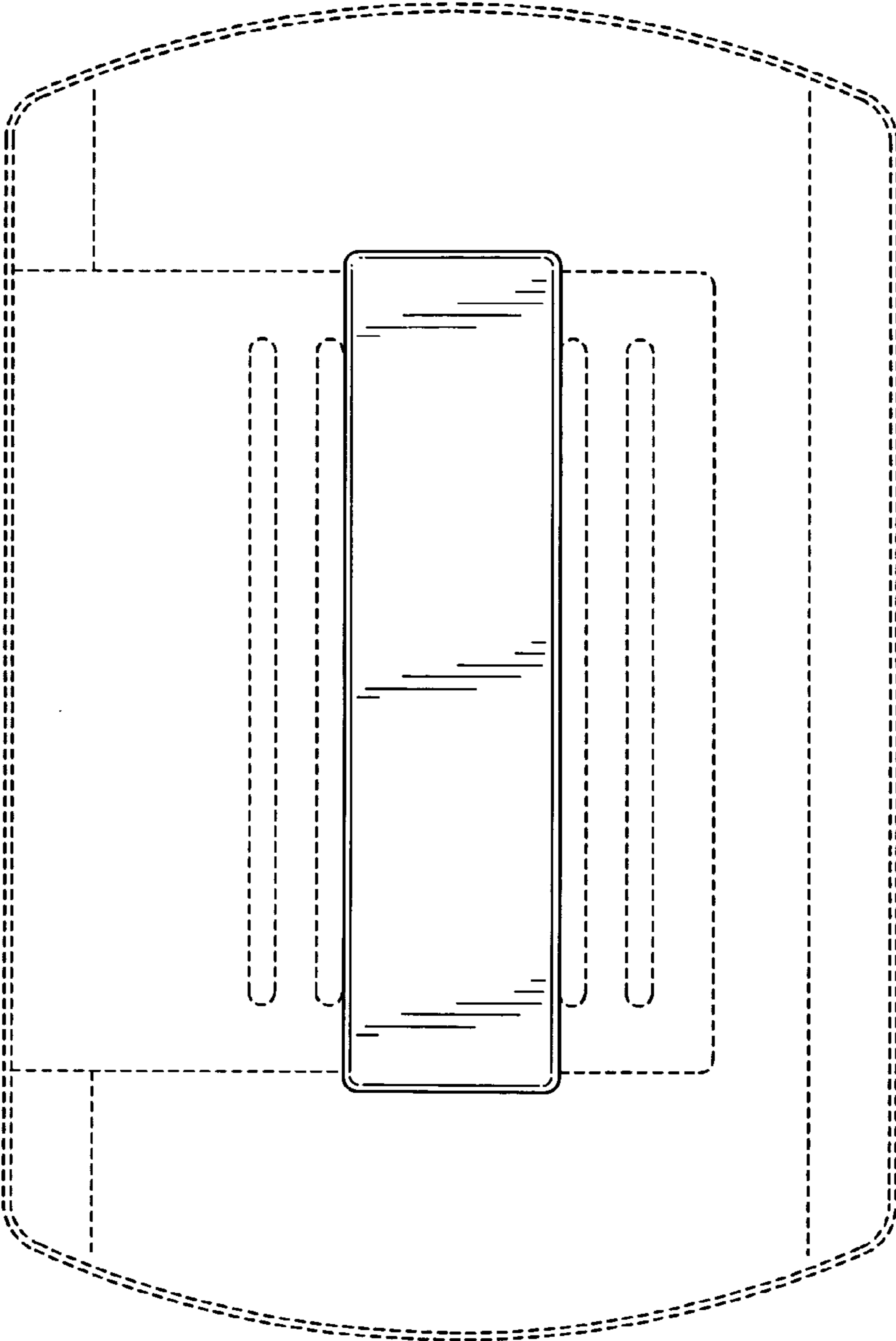


FIG.7

FIG.8



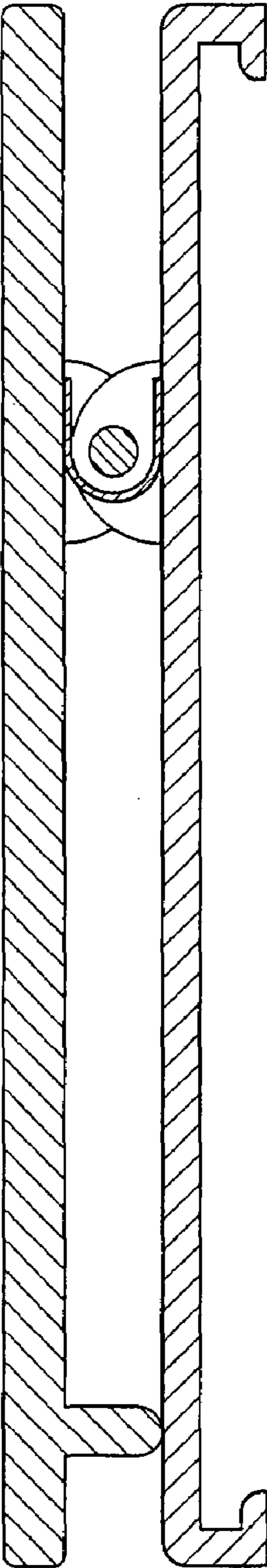


FIG.9