



US00D576868S

(12) **United States Design Patent**
Minamiura

(10) **Patent No.:** **US D576,868 S**
(45) **Date of Patent:** **** Sep. 16, 2008**

(54) **CASTER**

(75) Inventor: **Yoichi Minamiura**, Osaka (JP)

(73) Assignee: **Sugatsune Kokyo Co., Ltd.**, Tokyo (JP)

(**) Term: **14 Years**

(21) Appl. No.: **29/286,503**

(22) Filed: **May 8, 2007**

(30) **Foreign Application Priority Data**

Nov. 9, 2006 (JP) 2006-030655

(51) **LOC (8) Cl.** **08-05**

(52) **U.S. Cl.** **D8/375**

(58) **Field of Classification Search** D8/375;
D34/27; D3/318; D12/501, 209, 208, 207;
188/1.12; 16/47, 46, 45, 35 R, 35 D, 31 R,
16/29, 22, 18 R, 18 CG

See application file for complete search history.

(56) **References Cited**

U.S. PATENT DOCUMENTS

D349,043 S * 7/1994 Carlson et al. D8/375
D380,373 S * 7/1997 Screen D8/375
6,854,567 B2 2/2005 Suzuki

* cited by examiner

Primary Examiner—Gary D. Watson
Assistant Examiner—Susan Bennett Hattan
(74) *Attorney, Agent, or Firm*—Osha Liang LLP

(57) **CLAIM**

The ornamental design for a caster, as shown and described.

DESCRIPTION

FIG. 1 is a perspective view of the front, left and top plan of the invention.

FIG. 2 is a top plan view of the design according to the invention.

FIG. 3 is a front view of the design according to the invention.

FIG. 4 is a left side view of the design according to the invention.

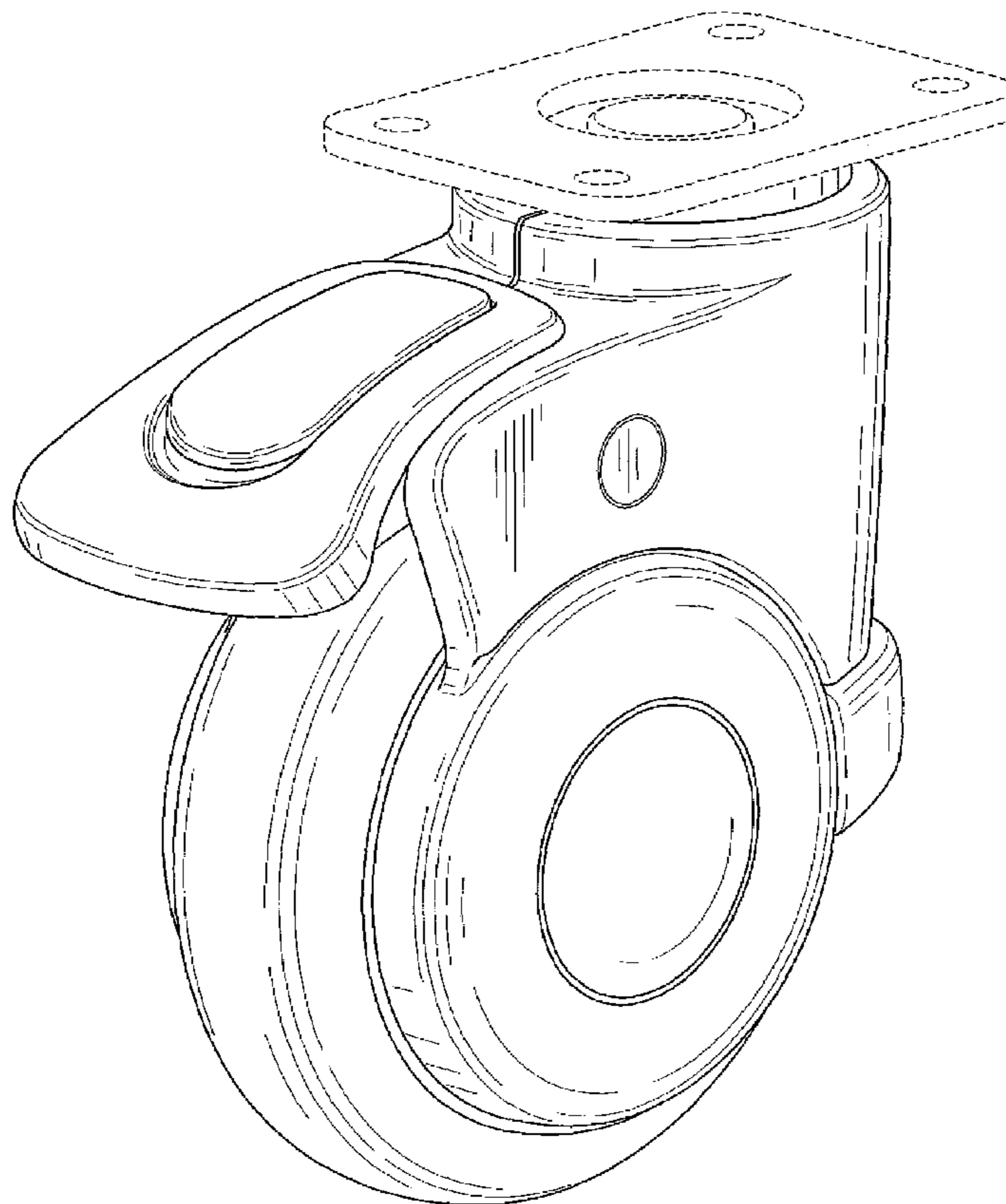
FIG. 5 is a right side view of the design according to the invention.

FIG. 6 is a rear view of the design according to the invention; and,

FIG. 7 is a bottom view of the design according to the invention.

The elements shown in broken lines are for illustrative purposes only and form no part of the claimed design.

1 Claim, 6 Drawing Sheets



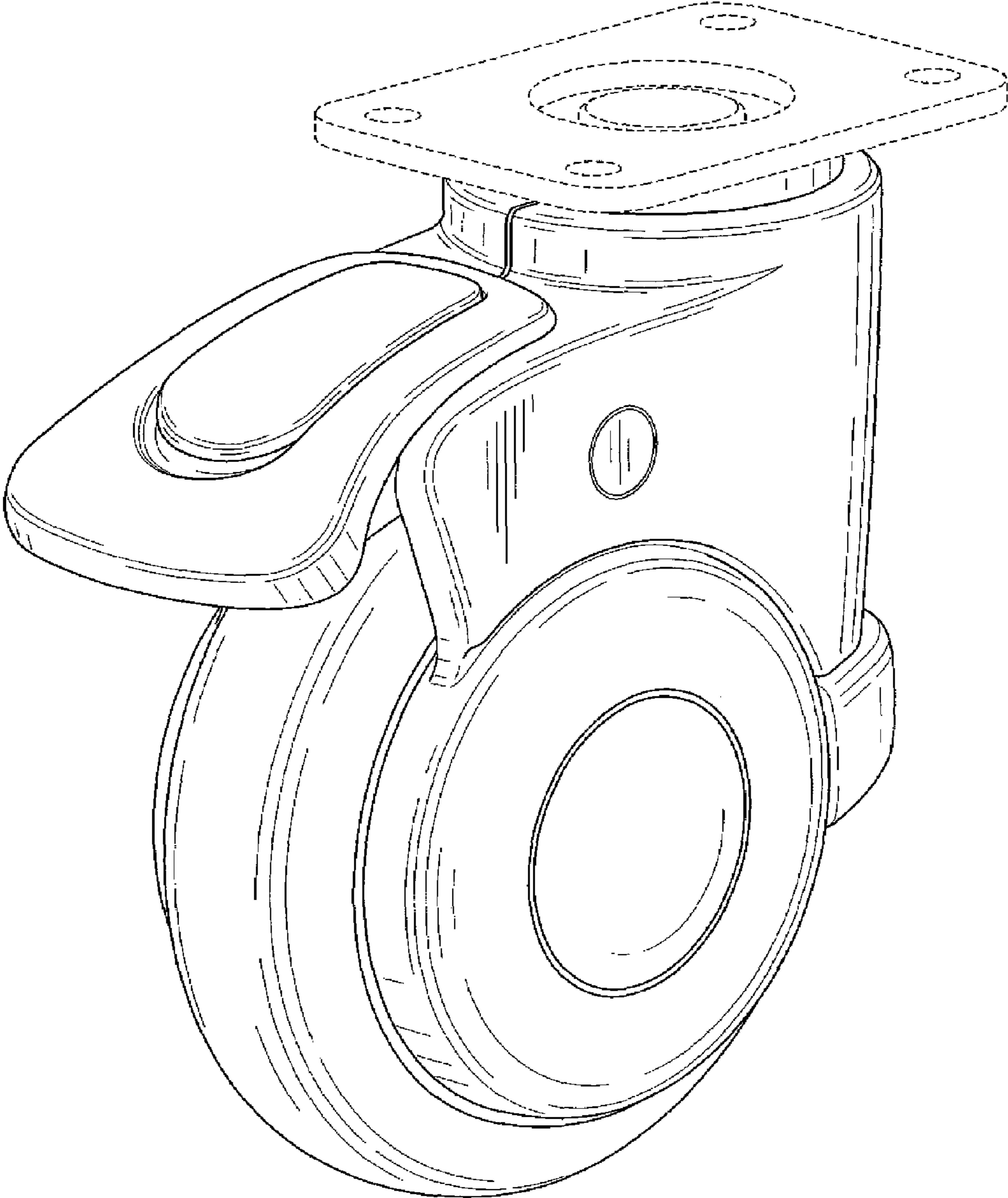


FIG. 1

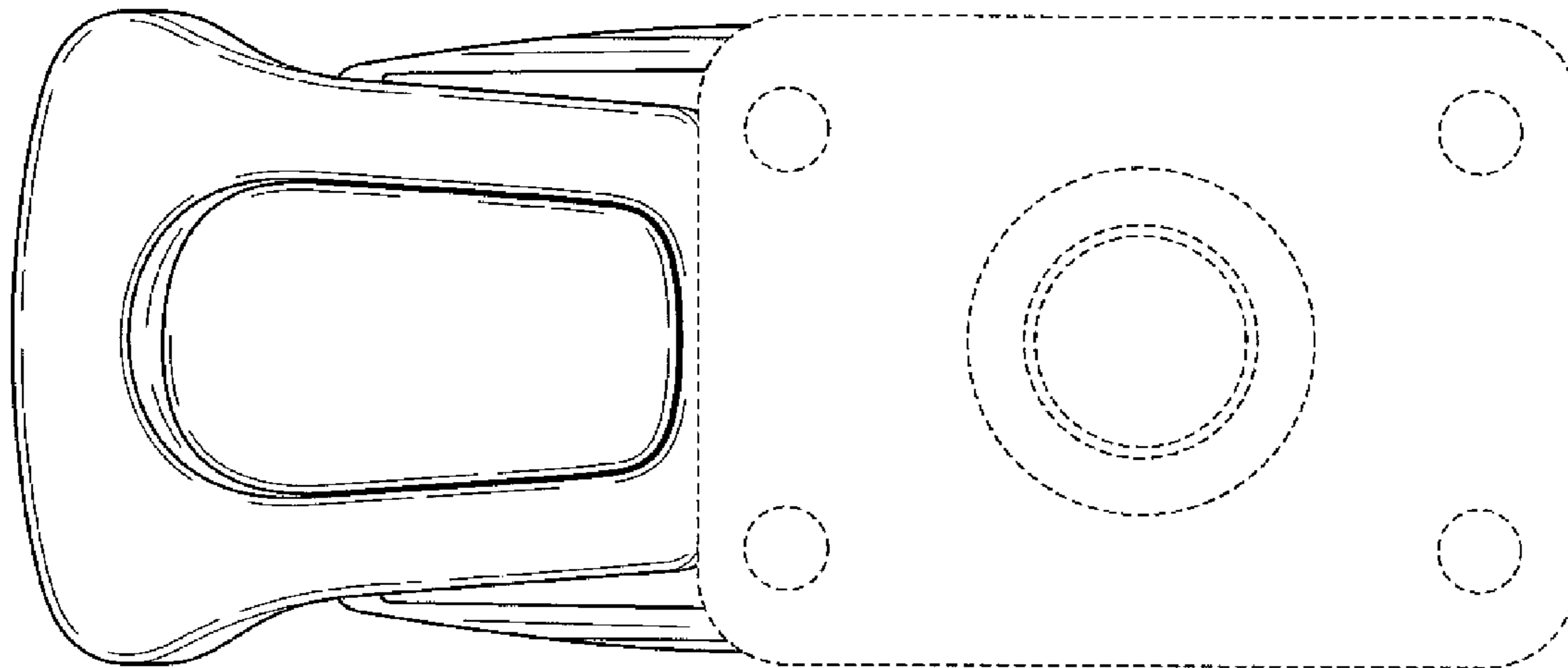


FIG. 2

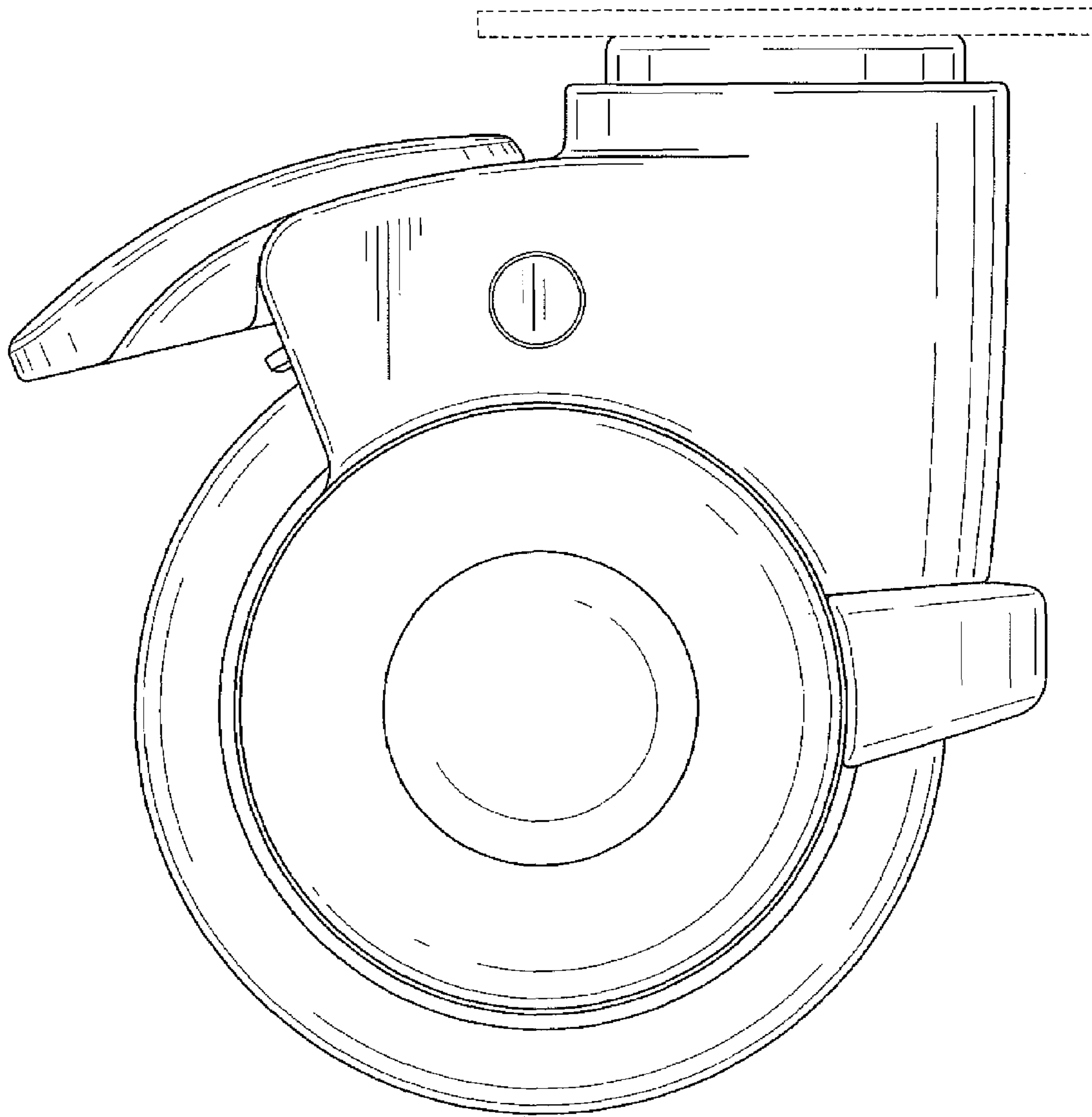


FIG. 3

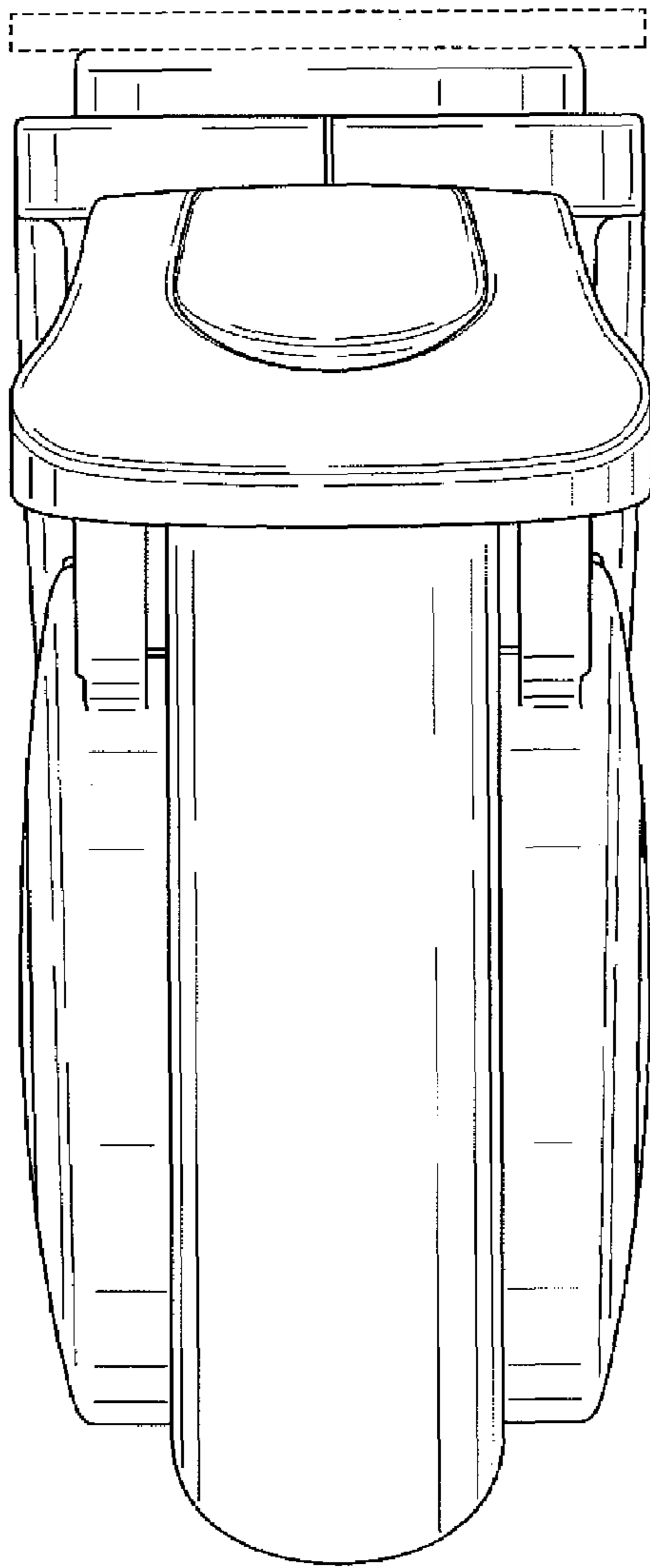


FIG. 4

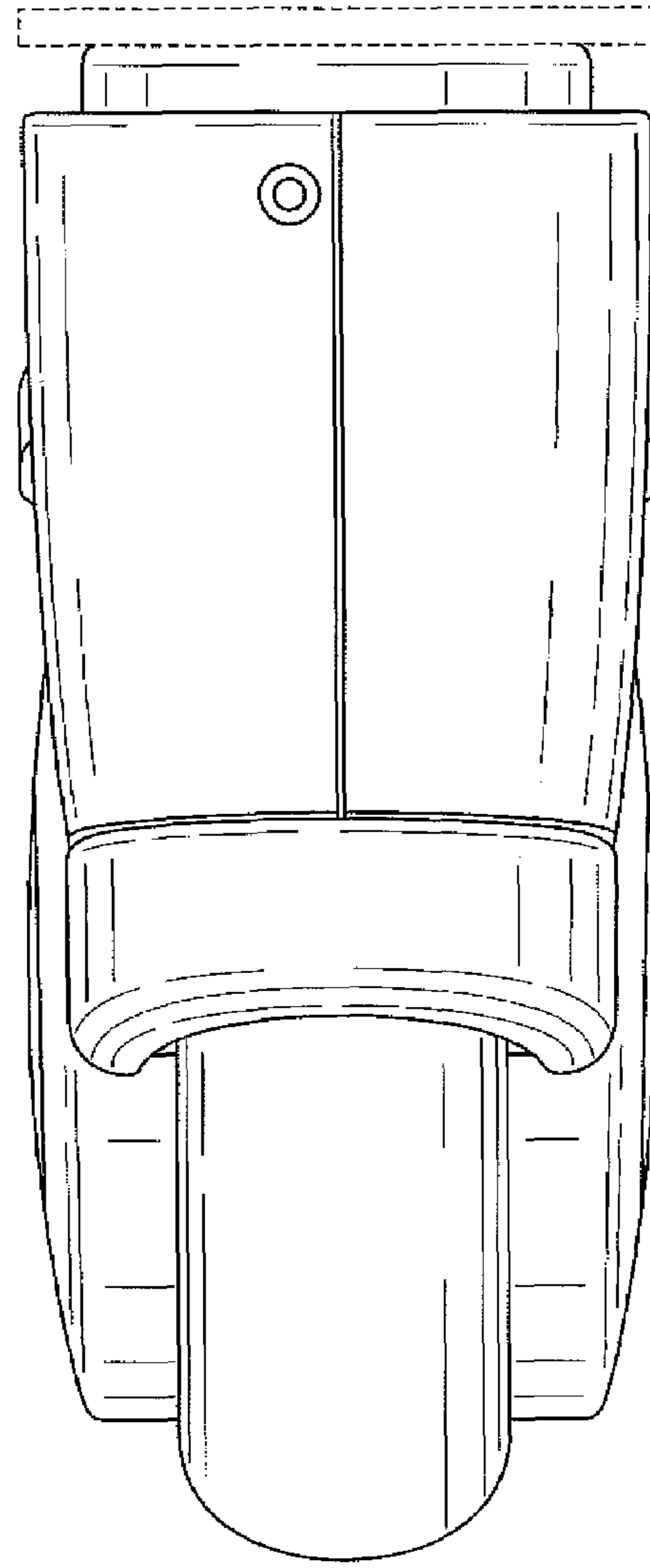


FIG. 5

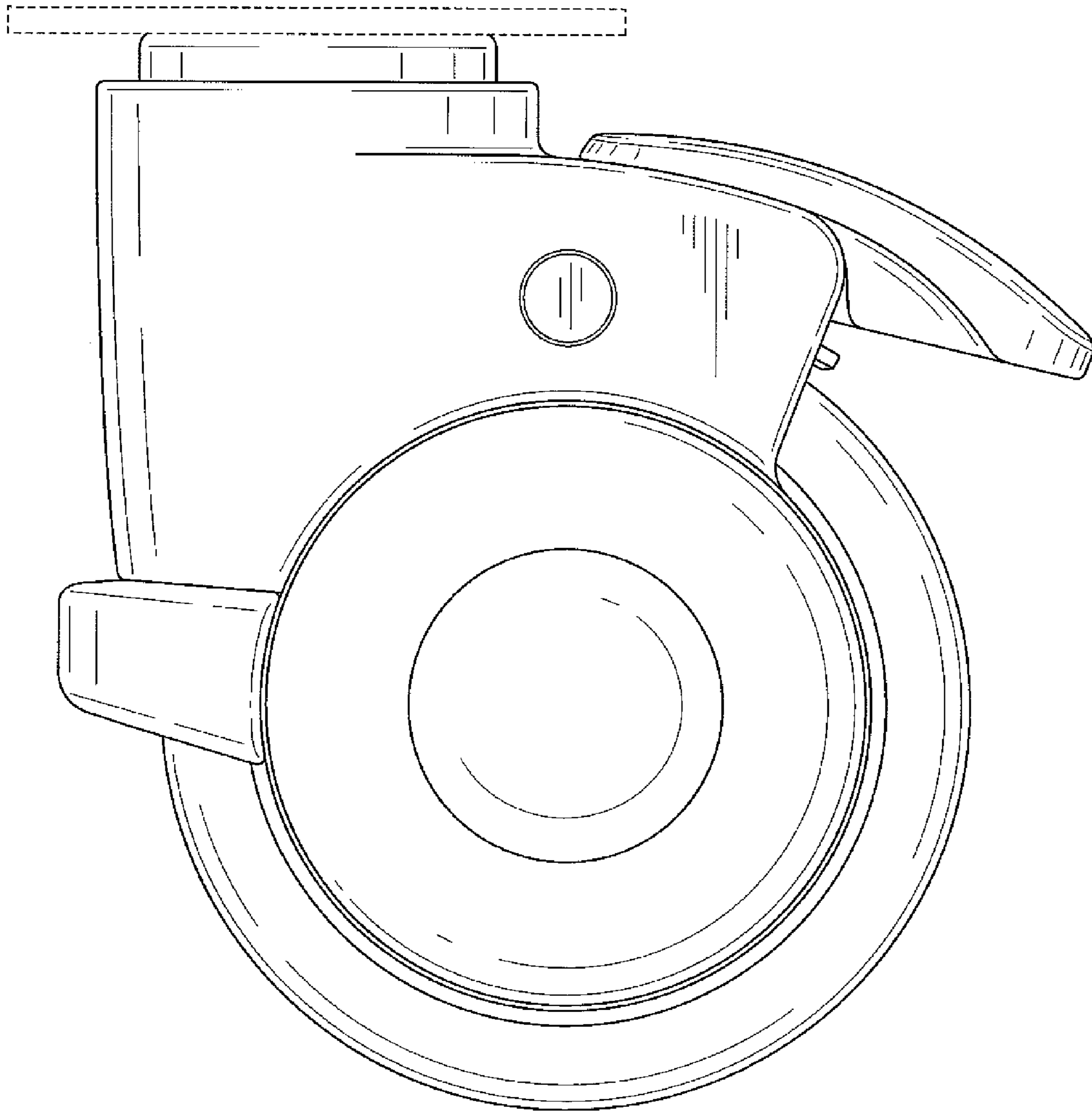


FIG. 6

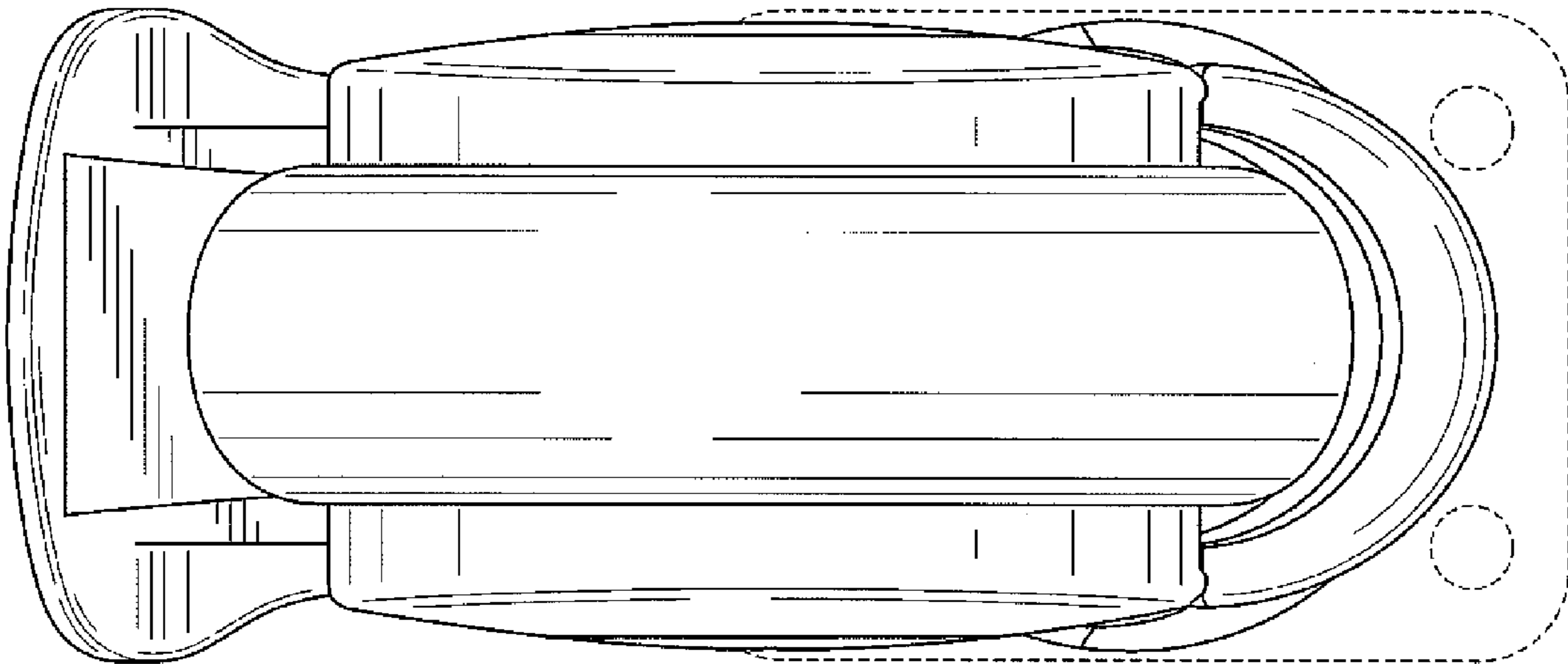


FIG. 7

UNITED STATES PATENT AND TRADEMARK OFFICE
CERTIFICATE OF CORRECTION

PATENT NO. : Des. 576,868 S
APPLICATION NO. : 29/286503
DATED : September 16, 2008
INVENTOR(S) : Yoichi Minamiura

Page 1 of 1

It is certified that error appears in the above-identified patent and that said Letters Patent is hereby corrected as shown below:

On the Title Page:

On the Title Page, section (73) Assignee, "Sugatsune Kokyo Co., Ltd." should be **--Sugatsune Kogyo Co., Ltd.--**.

Signed and Sealed this

Twenty-fifth Day of November, 2008

A handwritten signature in black ink that reads "Jon W. Dudas". The signature is written in a cursive style with a large, looped initial "J".

JON W. DUDAS

Director of the United States Patent and Trademark Office