



US00D576865S

(12) **United States Design Patent**
Chiang et al.

(10) **Patent No.:** **US D576,865 S**

(45) **Date of Patent:** **** Sep. 16, 2008**

(54) **SUCTION CUP**

7,066,434 B2 * 6/2006 Kwok 248/205.8

(75) Inventors: **Wei-Jen Chiang**, Taipei (TW); **Kun-Yen Lu**, Taipei (TW)

* cited by examiner

Primary Examiner—Holly H Baynham

(73) Assignee: **Kinpo Electronics, Inc.**, Taipei (TW)

(74) *Attorney, Agent, or Firm*—Alan Kamrath; Kamrath & Associates PA

(**) Term: **14 Years**

(57) **CLAIM**

(21) Appl. No.: **29/281,804**

The ornamental design for suction cup, as shown and described.

(22) Filed: **Jul. 2, 2007**

DESCRIPTION

(51) **LOC (8) Cl.** **08-05**

FIG. 1 is the perspective view of a suction cup showing our new design;

(52) **U.S. Cl.** **D8/349**

FIG. 2 is the front elevational view thereof;

(58) **Field of Classification Search** D8/349,
D8/354; 248/205.8, 542, 206.1, 205.7

FIG. 3 is the rear elevational view thereof;

See application file for complete search history.

FIG. 4 is the left side elevational view thereof;

(56) **References Cited**

FIG. 5 is the right side elevational view thereof;

U.S. PATENT DOCUMENTS

FIG. 6 is the top plan view thereof; and,

2,527,899 A * 10/1950 Valasek 248/206.1

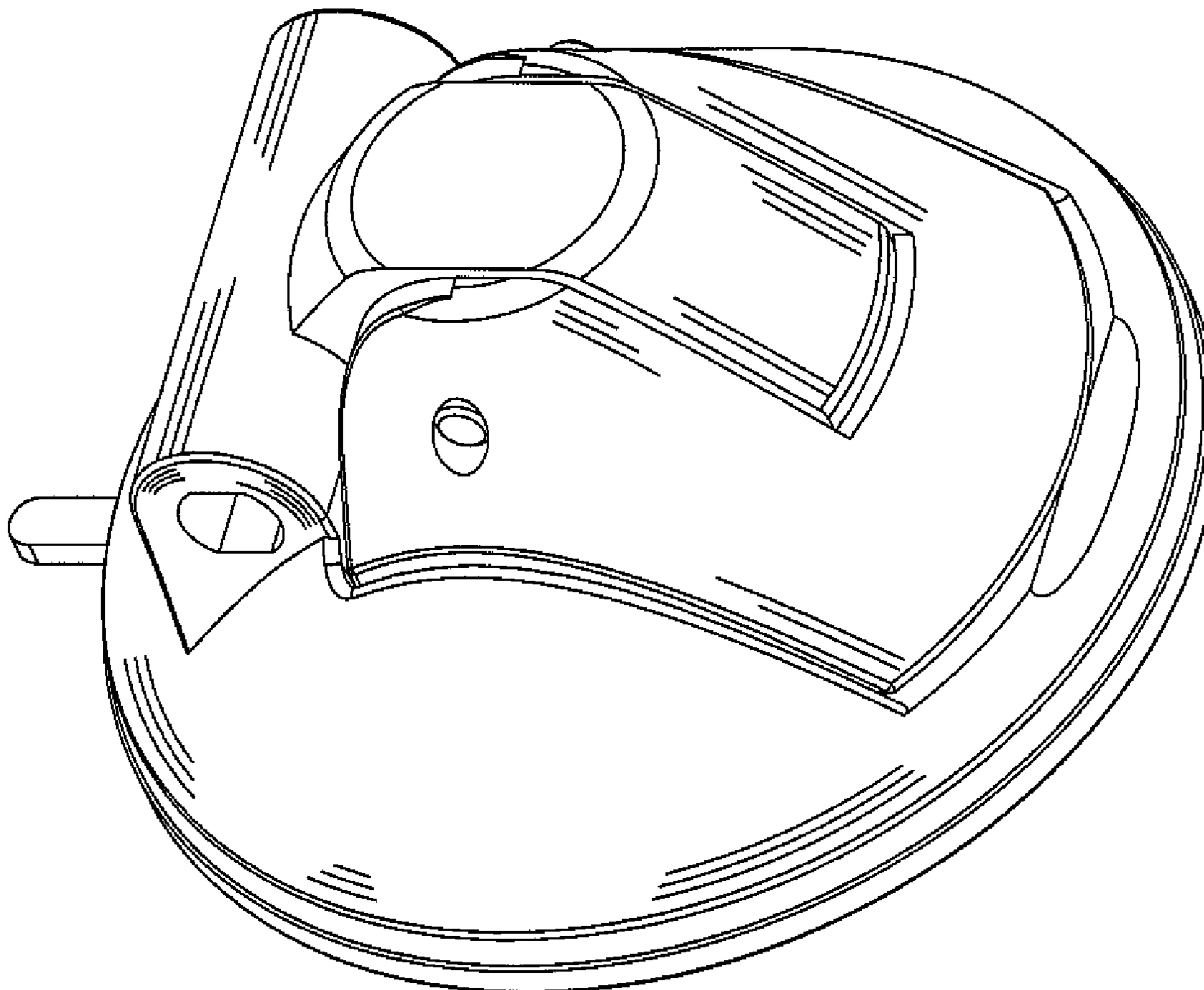
FIG. 7 is the bottom plan view thereof.

3,750,991 A * 8/1973 Ragir 248/205.8

D345,903 S * 4/1994 Adams et al. D8/349

D506,380 S * 6/2005 Chu D8/349

1 Claim, 7 Drawing Sheets



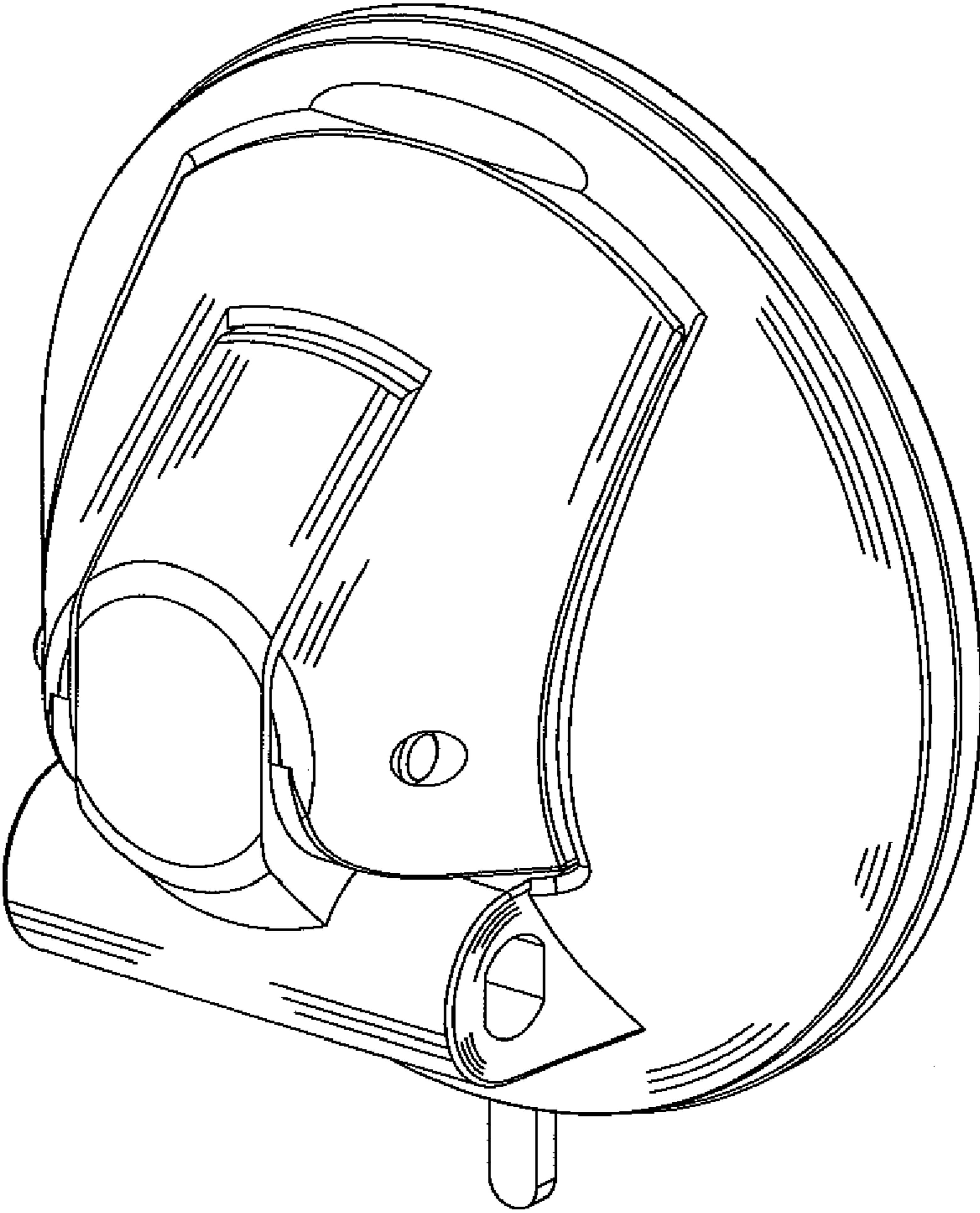


Fig.1

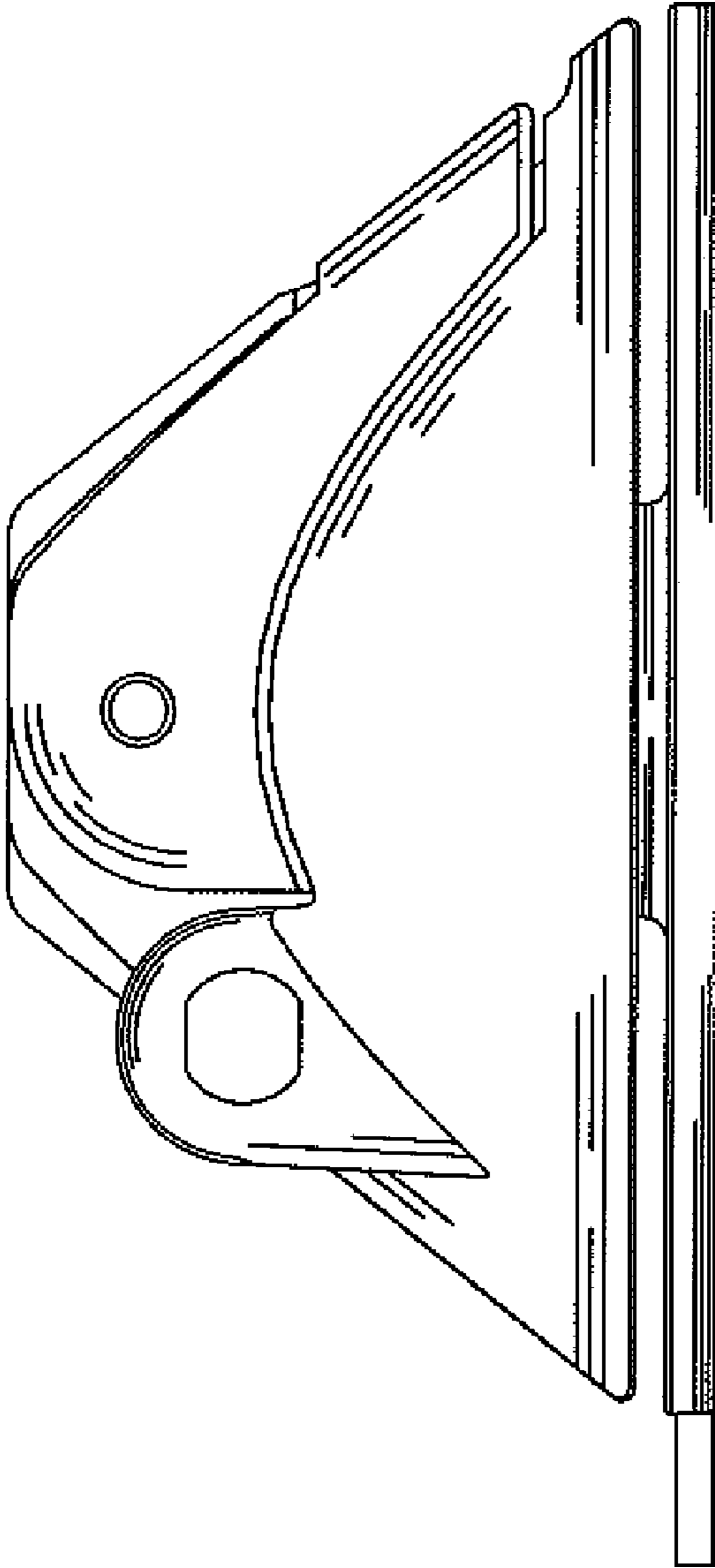


Fig.2

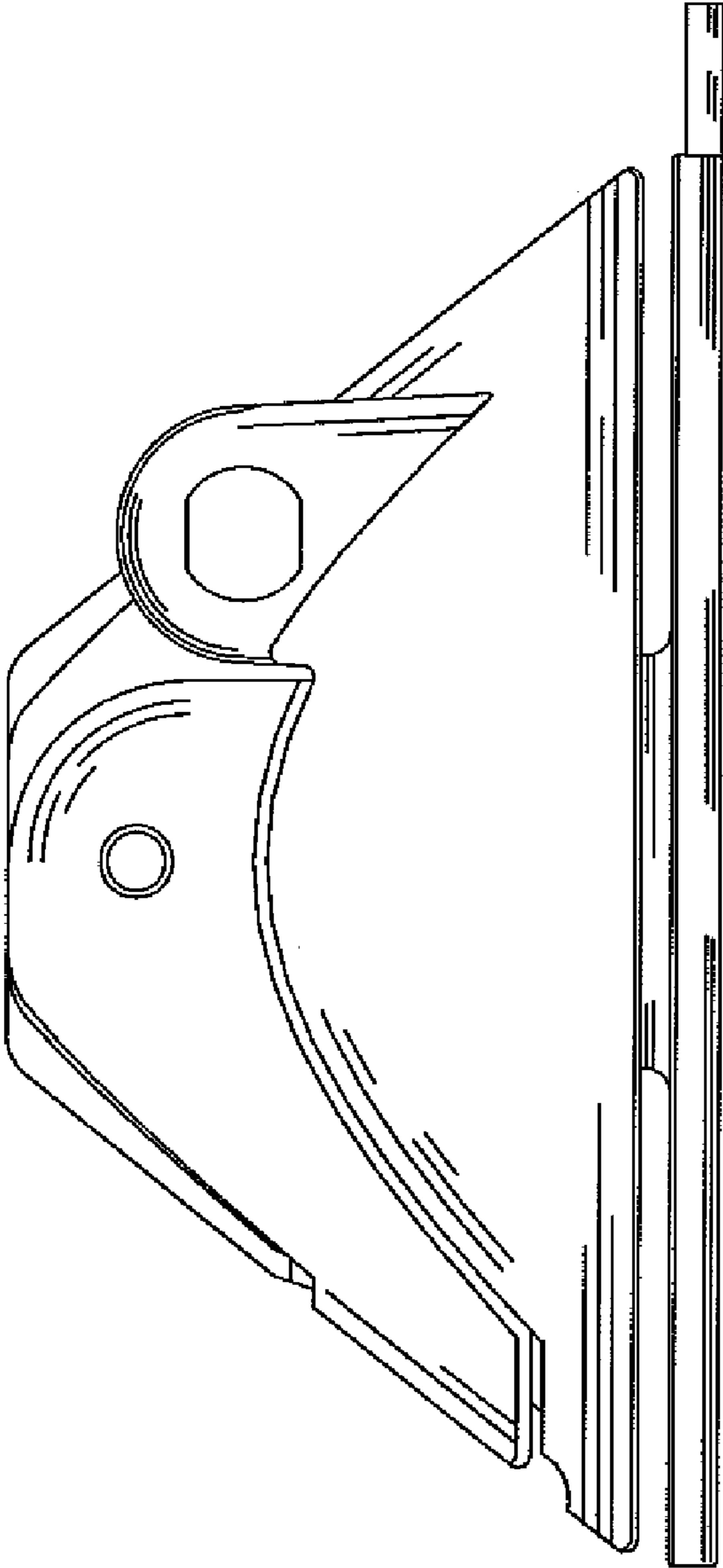


Fig.3

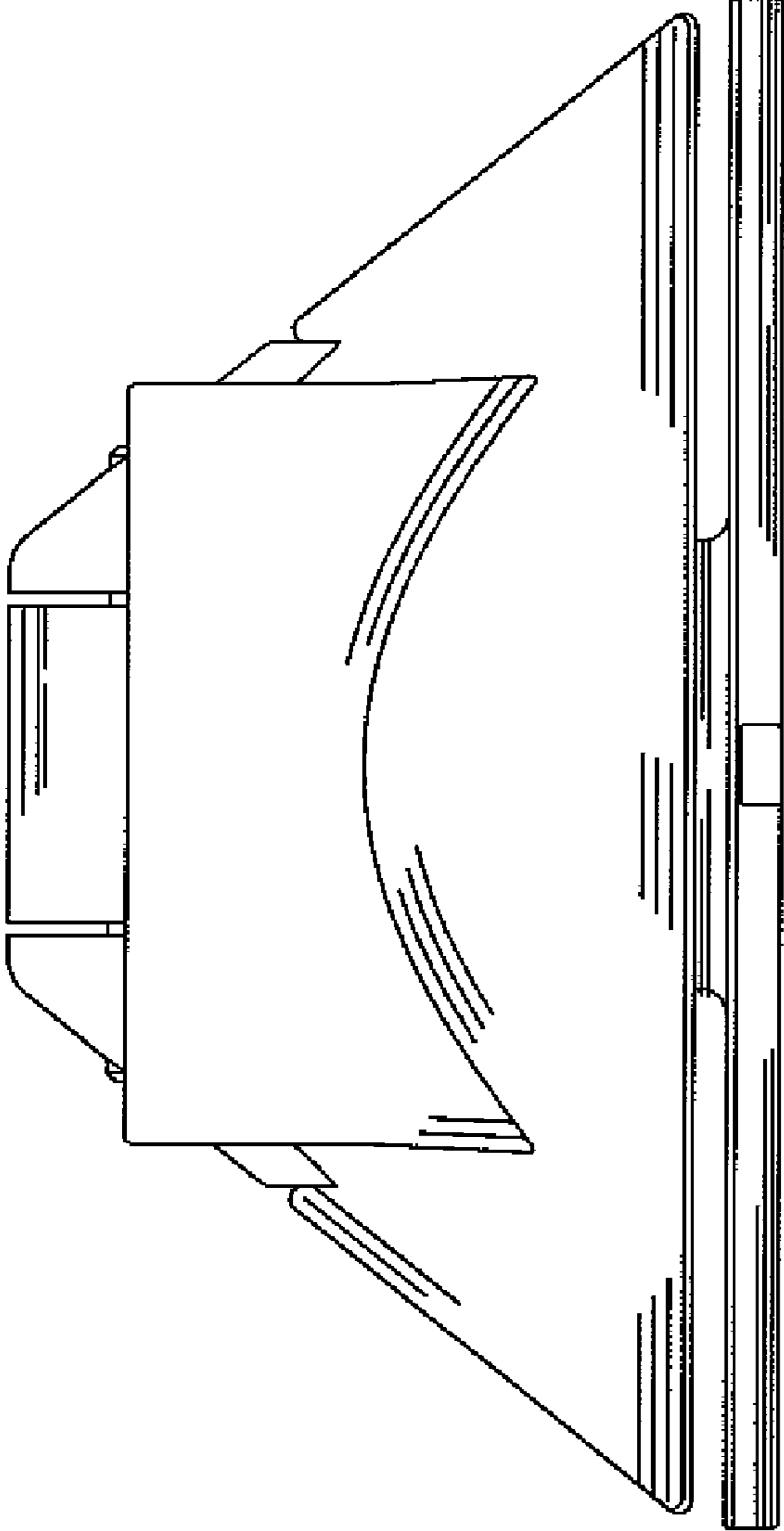


Fig.4

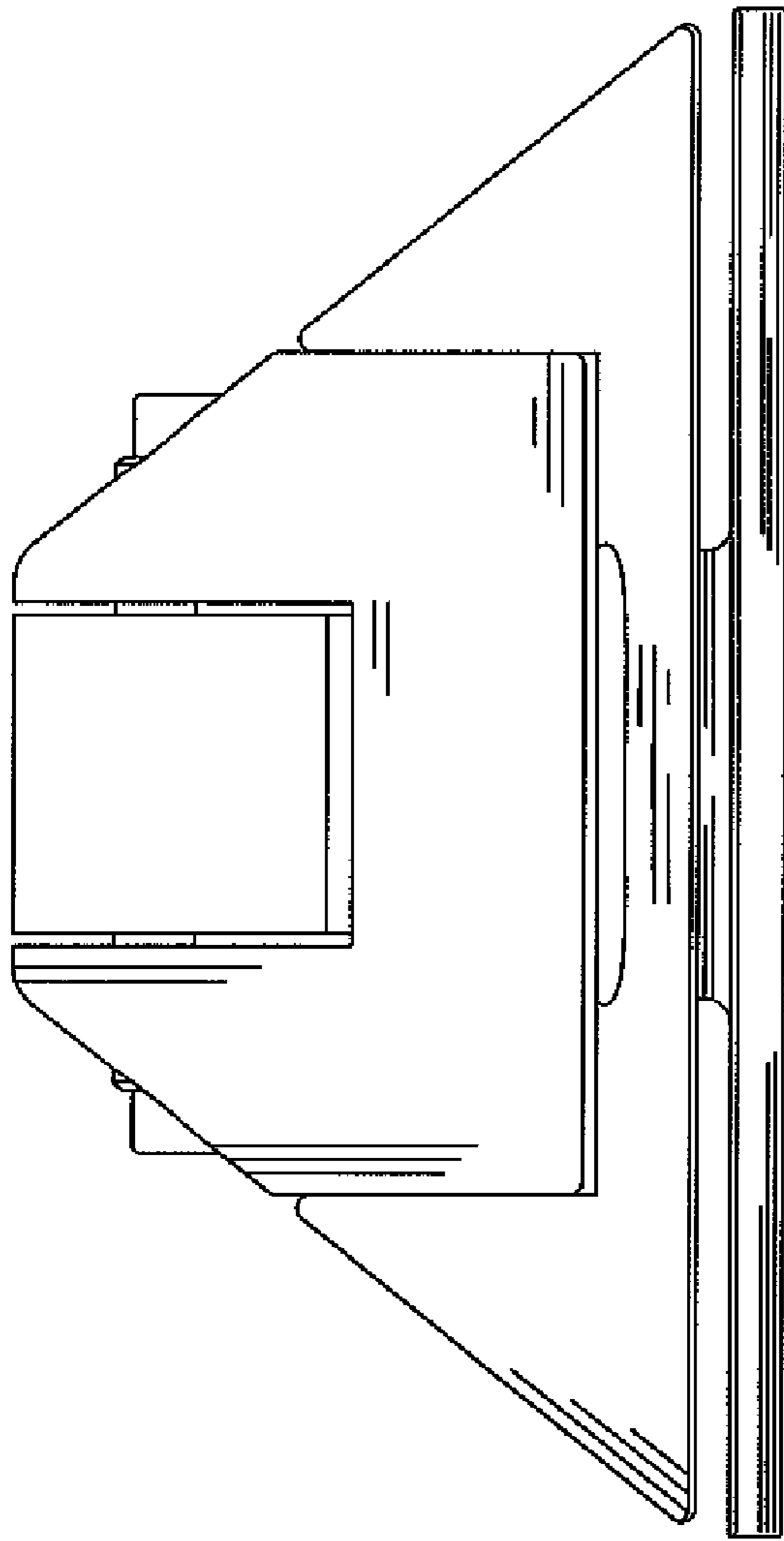


Fig. 5

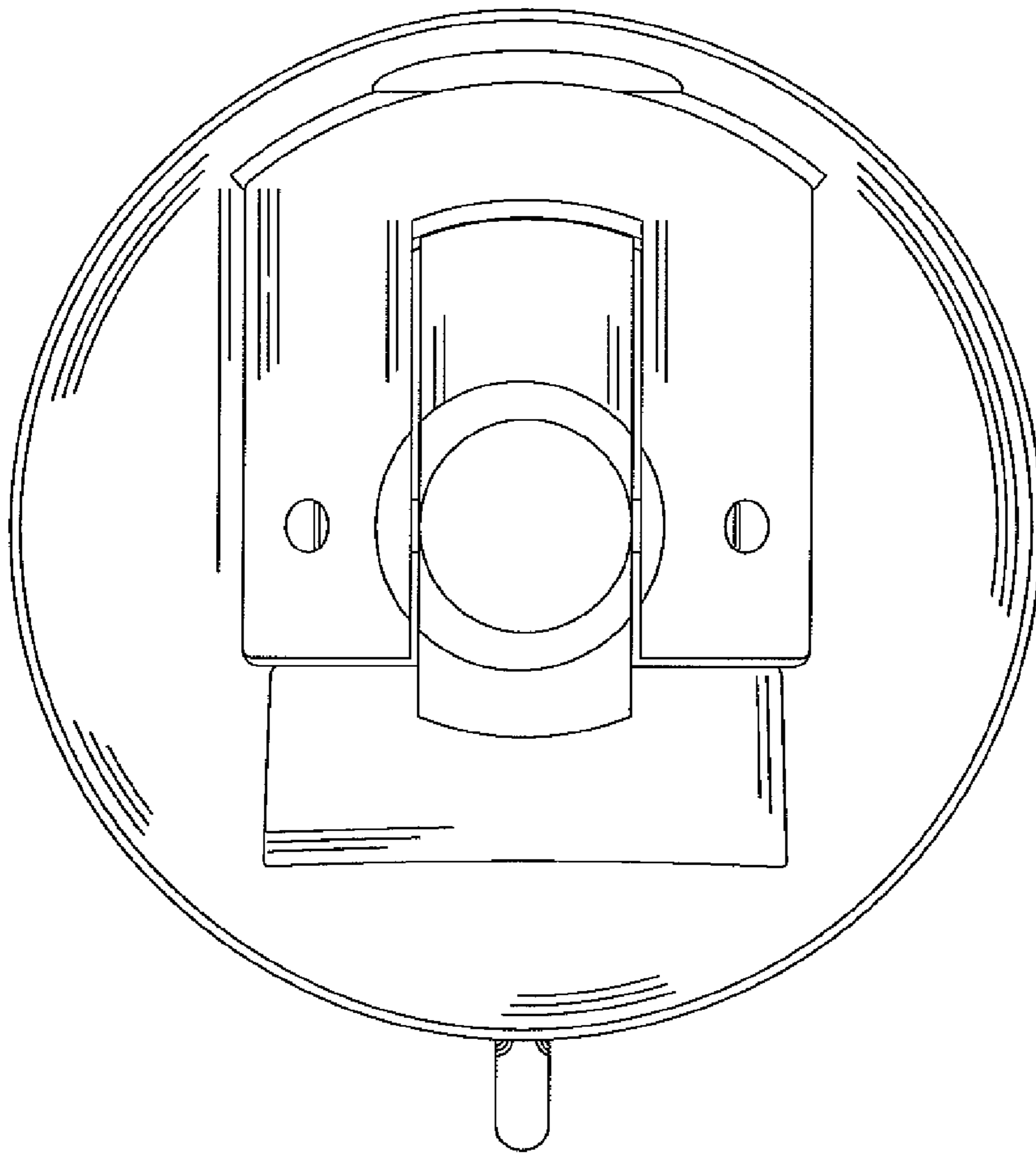


Fig.6

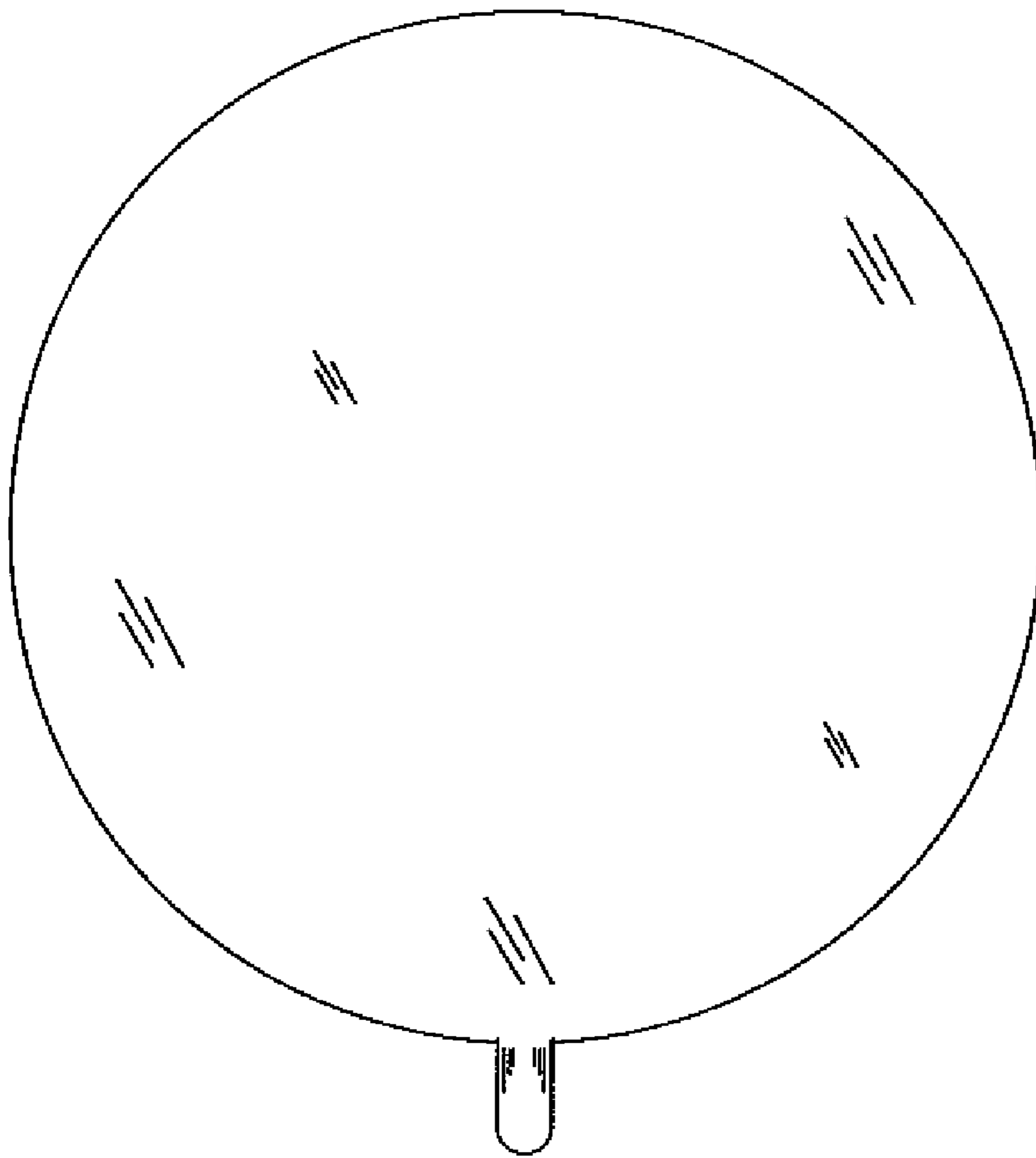


Fig.7