



US00D576862S

(12) **United States Design Patent**
Blomstrom et al.

(10) **Patent No.:** **US D576,862 S**
(45) **Date of Patent:** **** Sep. 16, 2008**

(54) **SHACKLE**

(75) Inventors: **John Blomstrom**, Milwaukee, WI (US);
John Heppner, Kenosha, WI (US);
Christopher Rohde, West Allis, WI
(US); **Glenn P. Meekma**, Menomonee
Falls, WI (US)

(73) Assignee: **Master Lock Company LLC**, Oak
Creek, WI (US)

(**) Term: **14 Years**

(21) Appl. No.: **29/279,892**

(22) Filed: **May 10, 2007**

(51) **LOC (8) Cl.** **08-07**

(52) **U.S. Cl.** **D8/343**

(58) **Field of Classification Search** D8/330,
D8/331, 333, 334, 343, 344, 356, 367, 382,
D8/383, 499; 70/14, 18, 20-22, 24, 31, 32,
70/34, 35, 38 A, 38 B, 38 C, 51-54, 56

See application file for complete search history.

(56) **References Cited**

U.S. PATENT DOCUMENTS

8,318 A	8/1851	Tilton
55,167 A	5/1866	Saladee
229,332 A	6/1880	Pease
439,635 A	11/1890	Bryant
596,596 A	1/1898	Johnson
816,492 A	3/1906	Mohr
823,919 A	6/1906	Caldwell
D38,773 S	8/1907	Erickson
1,016,455 A	2/1912	Stone
1,103,015 A	7/1914	Andrus
1,172,970 A	2/1916	Fowler
1,490,453 A	4/1924	Caldwell
1,581,953 A	4/1926	Jackson
D82,115 S	9/1930	Smith
D83,283 S	2/1931	Stone
D144,684 S	5/1946	Bouhall
3,260,079 A	7/1966	Caskey
D231,895 S	6/1974	Stolarz

(Continued)

OTHER PUBLICATIONS

Master Lock, No. 930 Padlocks Product Description, Master Lock
web site, 2003.

(Continued)

Primary Examiner—Mitchell I. Siegel

Assistant Examiner—Shanda C Hill

(74) *Attorney, Agent, or Firm*—Calfee, Halter & Griswold
LLP

(57) **CLAIM**

We claim the ornamental design for a shackle, as shown and
described.

DESCRIPTION

FIG. 1 is a perspective view of a shackle showing our new
design;

FIG. 2 is a front view of FIG. 1;

FIG. 3 is a rear view of FIG. 1;

FIG. 4 is a cross-sectional view of FIG. 1 taken along the lines
4—4 of FIG. 2;

FIG. 5 is a right side view of FIG. 1, wherein the left side view
is a mirror image;

FIG. 6 is a top view of FIG. 1;

FIG. 7 is a bottom view of FIG. 1;

FIG. 8 is a perspective view of FIG. 1 shown in an alternate
environment;

FIG. 9 is a front view of FIG. 8;

FIG. 10 is a rear view of FIG. 8;

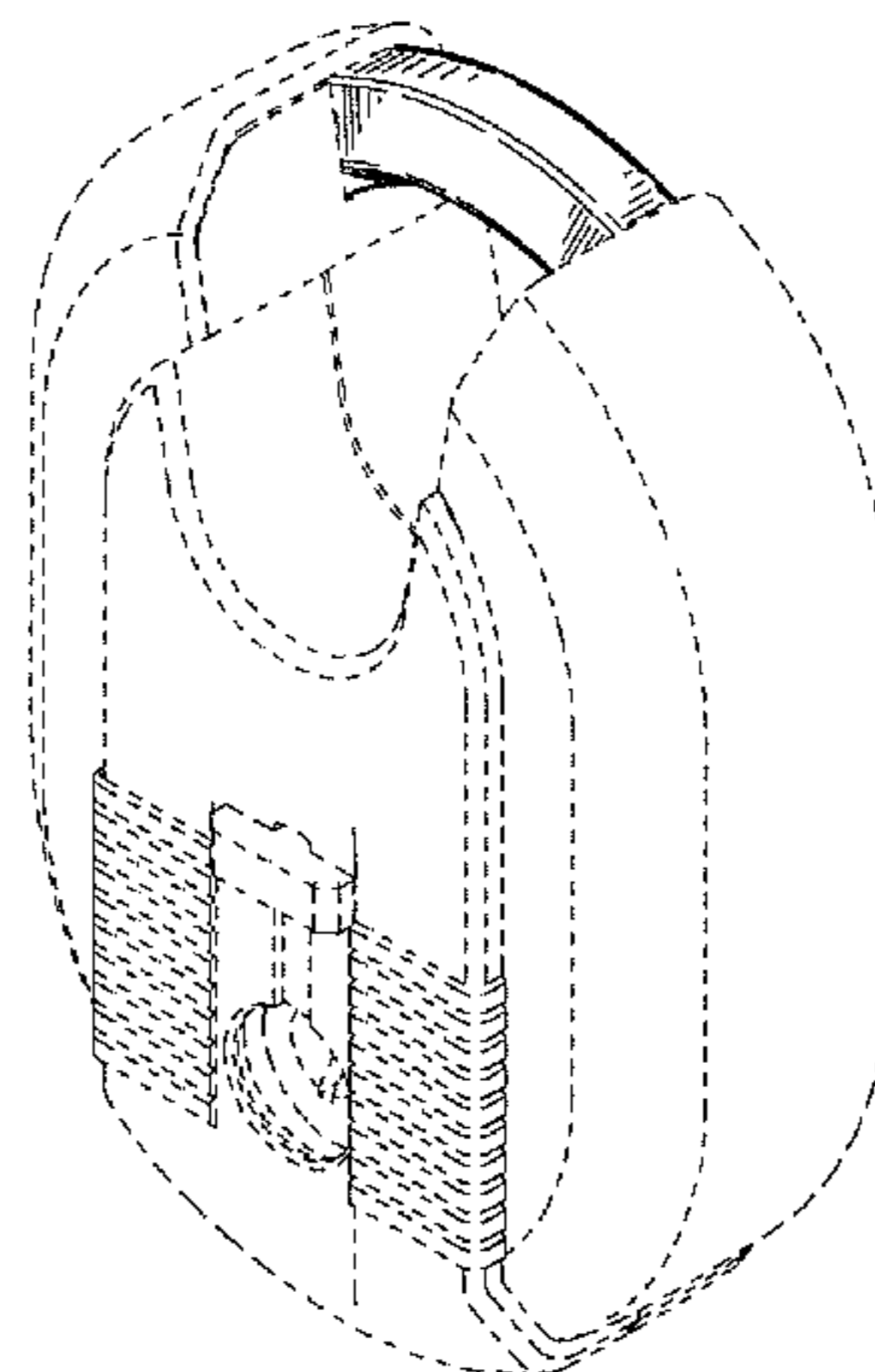
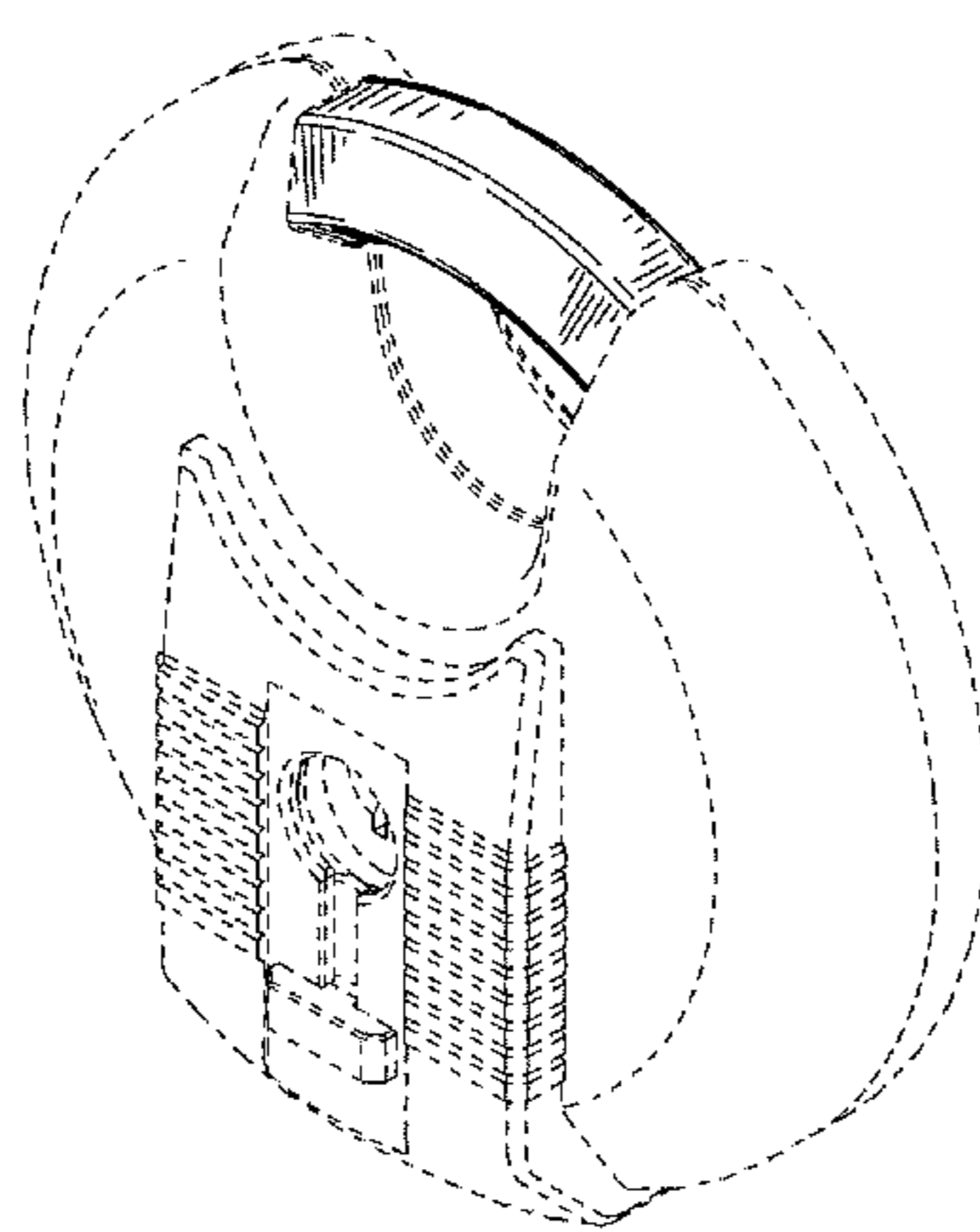
FIG. 11 is a right side view of FIG. 8, wherein the left side
view is a mirror image;

FIG. 12 is a top view of FIG. 8; and,

FIG. 13 is a bottom view of FIG. 8.

The broken lines shown in the drawing disclosure are for
illustrative purposes only and form no part of the claimed
design.

1 Claim, 4 Drawing Sheets



US D576,862 S

Page 2

U.S. PATENT DOCUMENTS

3,835,675 A	9/1974	Lippisch	6,305,198 B1	10/2001	Chastain et al.	
4,519,226 A	5/1985	Hadaway	D455,639 S	4/2002	McDaid et al.	
4,905,486 A	3/1990	Appelbaum	6,363,758 B1	4/2002	Ling	
D314,908 S	2/1991	Pederson	D470,746 S	2/2003	Gast	
D315,090 S	3/1991	Pedersen	D476,216 S	6/2003	Vito	
4,998,423 A	3/1991	Hsu	D482,594 S	11/2003	Ling	
5,044,180 A	9/1991	Lebrecht	D484,777 S	1/2004	Ruan	
D342,009 S	12/1993	Lebrecht et al.	D524,632 S	7/2006	Kearns et al.	
D373,300 S	9/1996	Zane	D528,402 S *	9/2006	Ruan	D8/343
D378,567 S	3/1997	Zane	D529,368 S *	10/2006	Ruan	D8/343
D379,919 S	6/1997	Mountain	D533,437 S *	12/2006	Ruan	D8/343
D388,688 S	1/1998	Yang	D539,114 S *	3/2007	Vito	D8/343
5,765,409 A	6/1998	Yang	D541,630 S	5/2007	Blomstrom	
D406,043 S	2/1999	LeClaire	D542,625 S	5/2007	Blomstrom et al.	
D407,294 S	3/1999	Chen	D545,175 S *	6/2007	Vito	D8/343
D407,625 S	4/1999	Yang	D545,177 S *	6/2007	Vito	D8/343
5,901,587 A	5/1999	Chen	D547,162 S *	7/2007	Heppner	D8/343
5,918,489 A	7/1999	Yang	D547,635 S *	7/2007	Vito	D8/343
5,921,123 A	7/1999	Schwarzkopf et al.	D548,568 S *	8/2007	Vito	D8/343
D423,323 S	4/2000	Fiegner et al.	D548,569 S *	8/2007	Vito	D8/343
D423,906 S	5/2000	Fiegner et al.	D549,076 S *	8/2007	Vito	D8/343
D423,907 S	5/2000	Fiegner et al.	D549,554 S *	8/2007	Heppner	D8/343
D423,908 S	5/2000	Liu	D556,541 S *	12/2007	Blomstrom et al.	D8/343
D425,397 S	5/2000	Fiegner et al.				
D425,398 S	5/2000	Fiegner et al.				
D426,763 S	6/2000	Adler et al.				
D428,794 S	8/2000	Fiegner et al.				
D429,993 S	8/2000	Lie				
D432,391 S	10/2000	Heppner				
D437,204 S	2/2001	Kajuch et al.				
D439,823 S	4/2001	Adler et al.				
D449,510 S	10/2001	Liu				

OTHER PUBLICATIONS

Master Lock, No. 40 Padlocks Product Description, Master Lock web site, 2003.

Master Lock, No. 187 padlock Product Product Description, Master Lock web site, 2003.

Locksmith Dealers of America, Discus Padlock Product Description, Corridor Lock website.

* cited by examiner

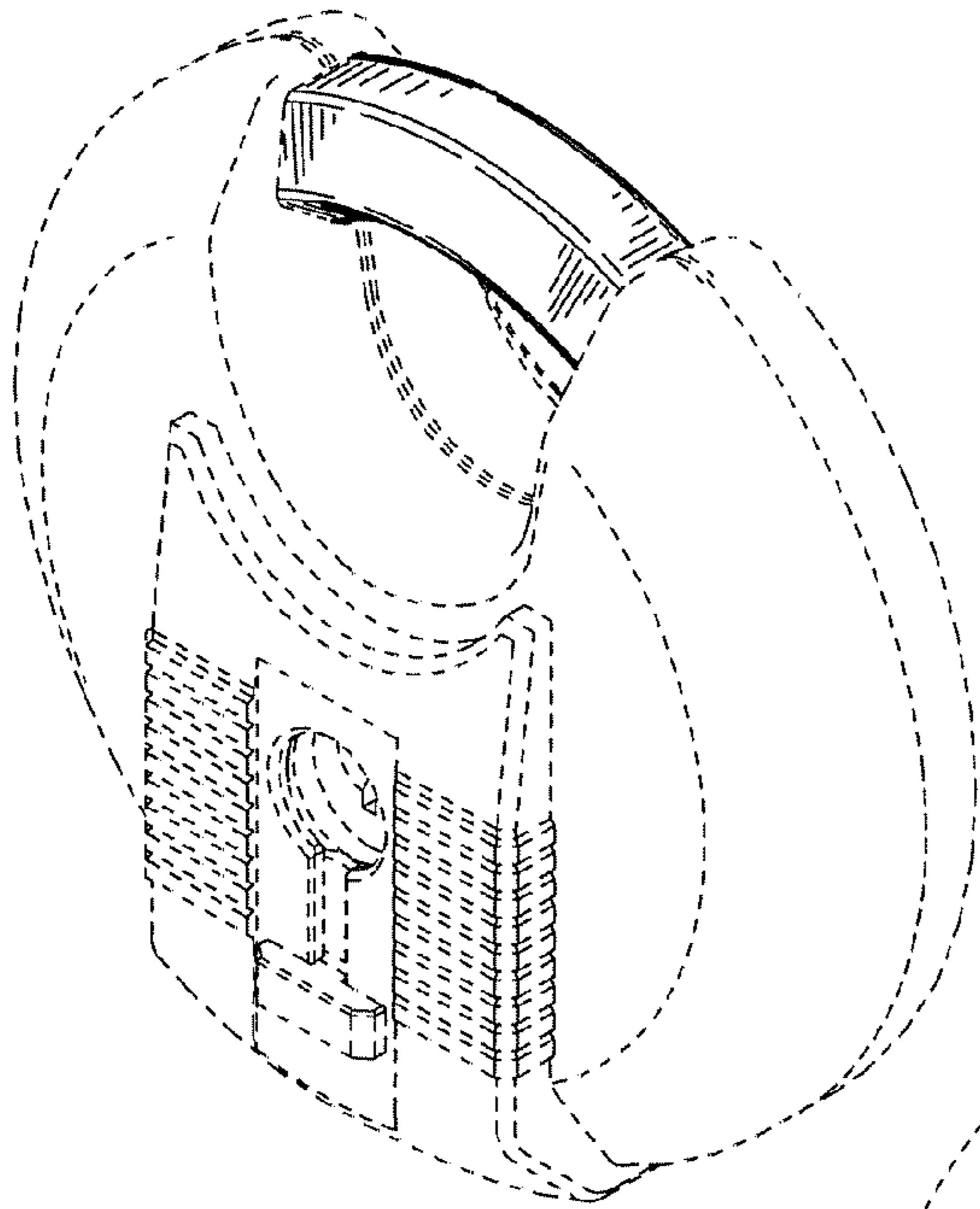


Figure 1

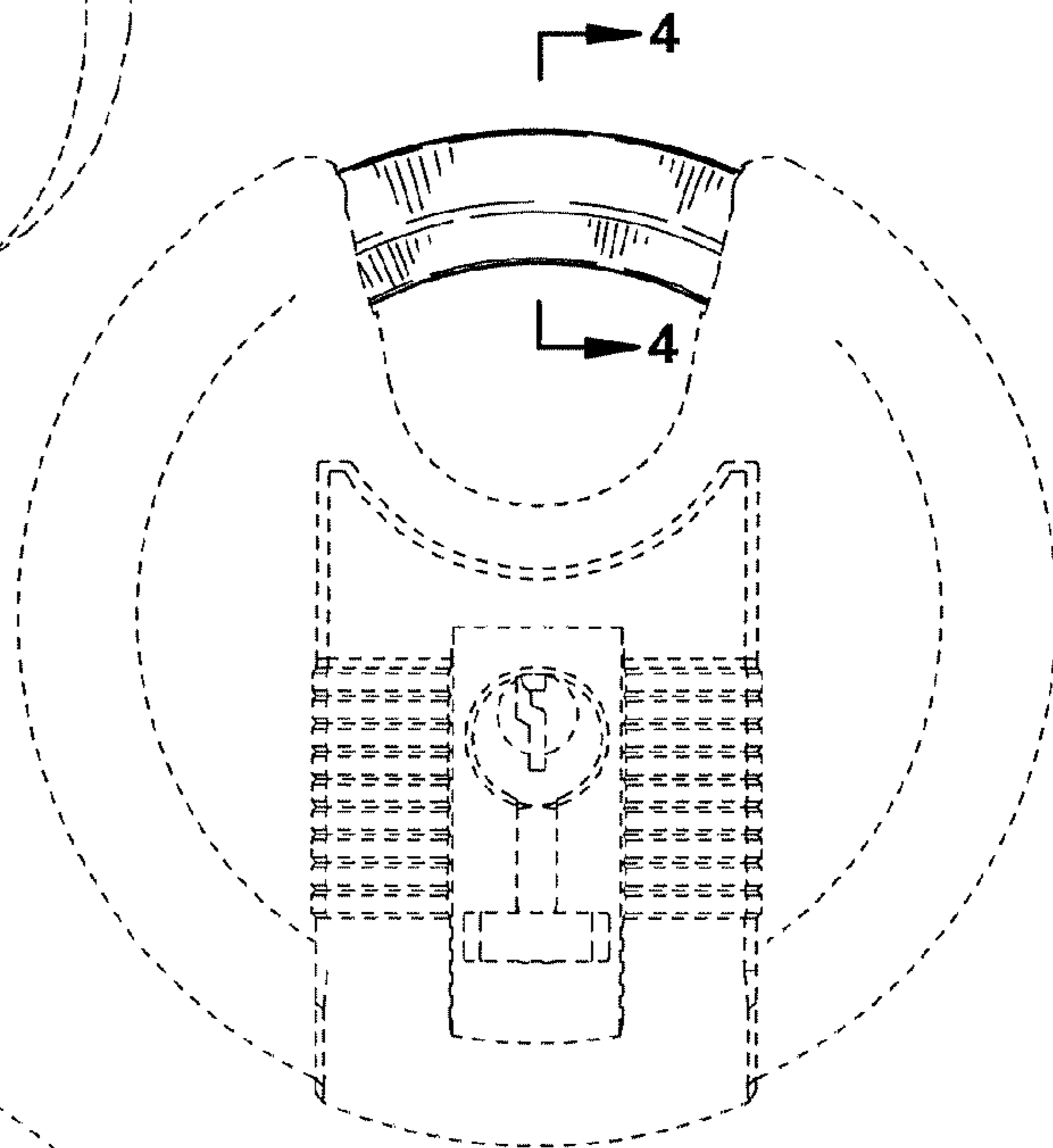


Figure 2

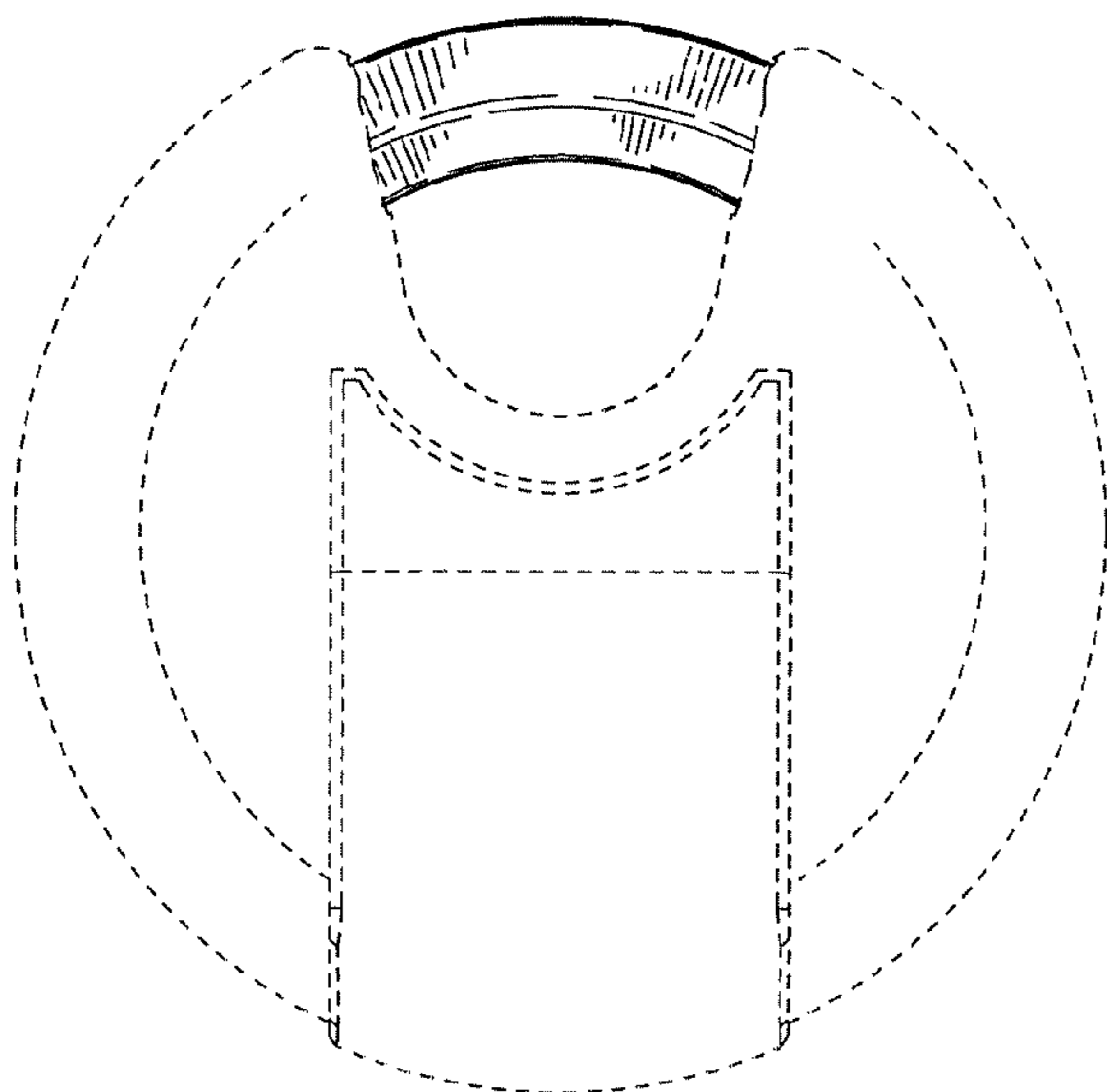


Figure 3

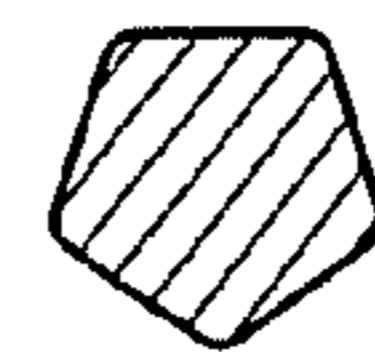


Figure 4

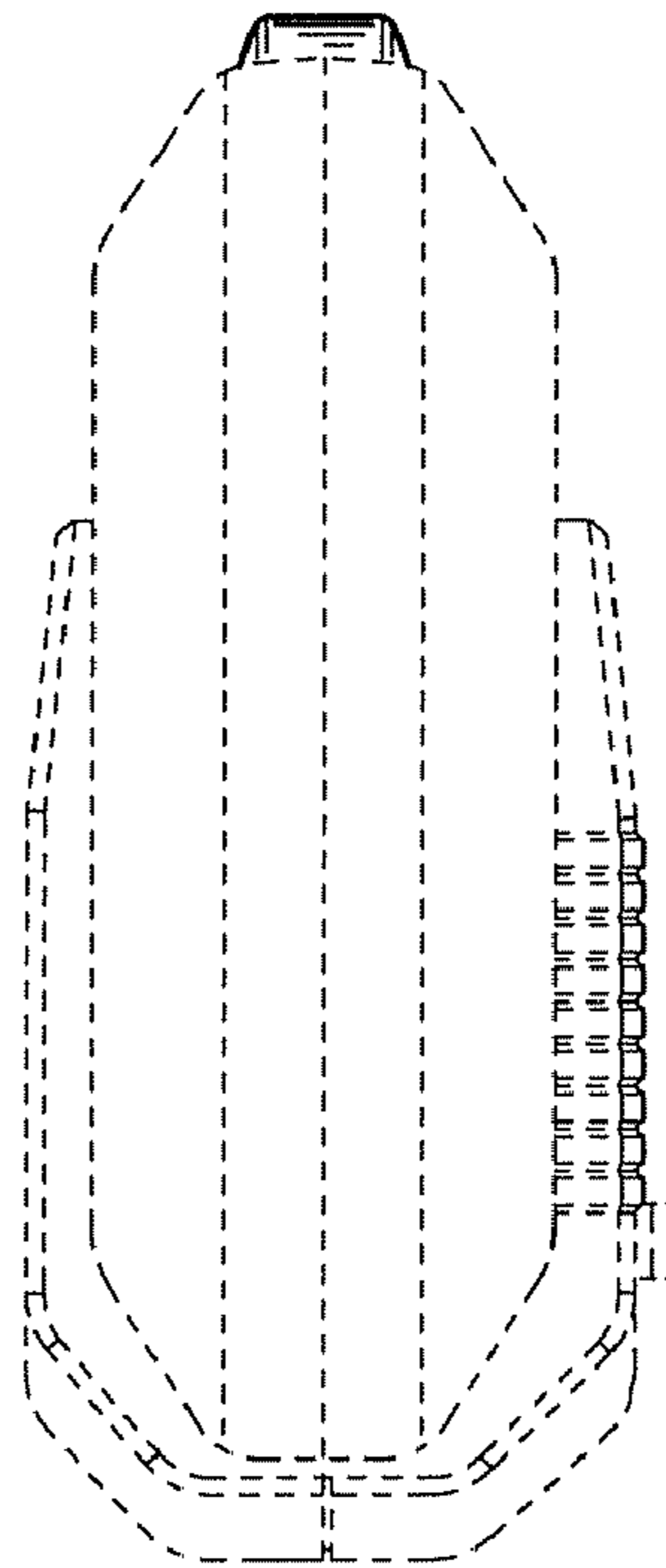


Figure 5

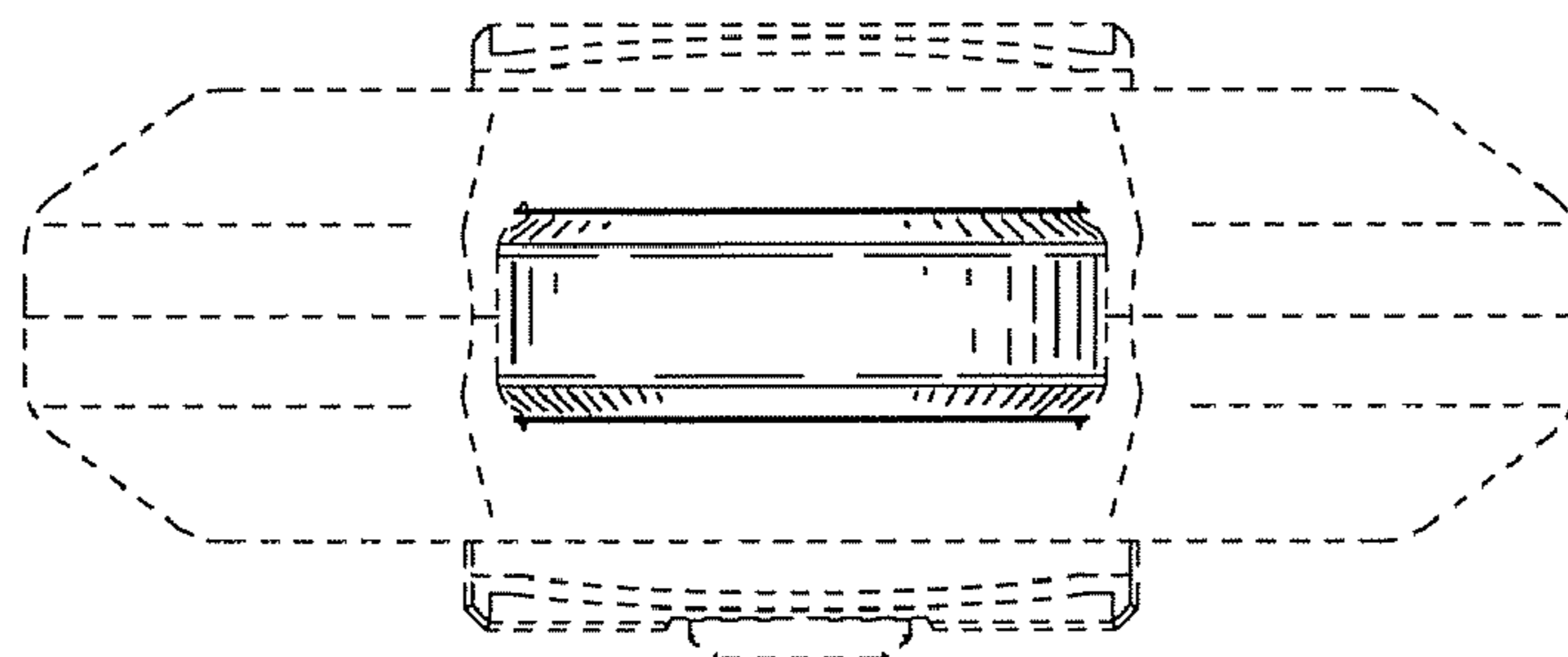


Figure 6

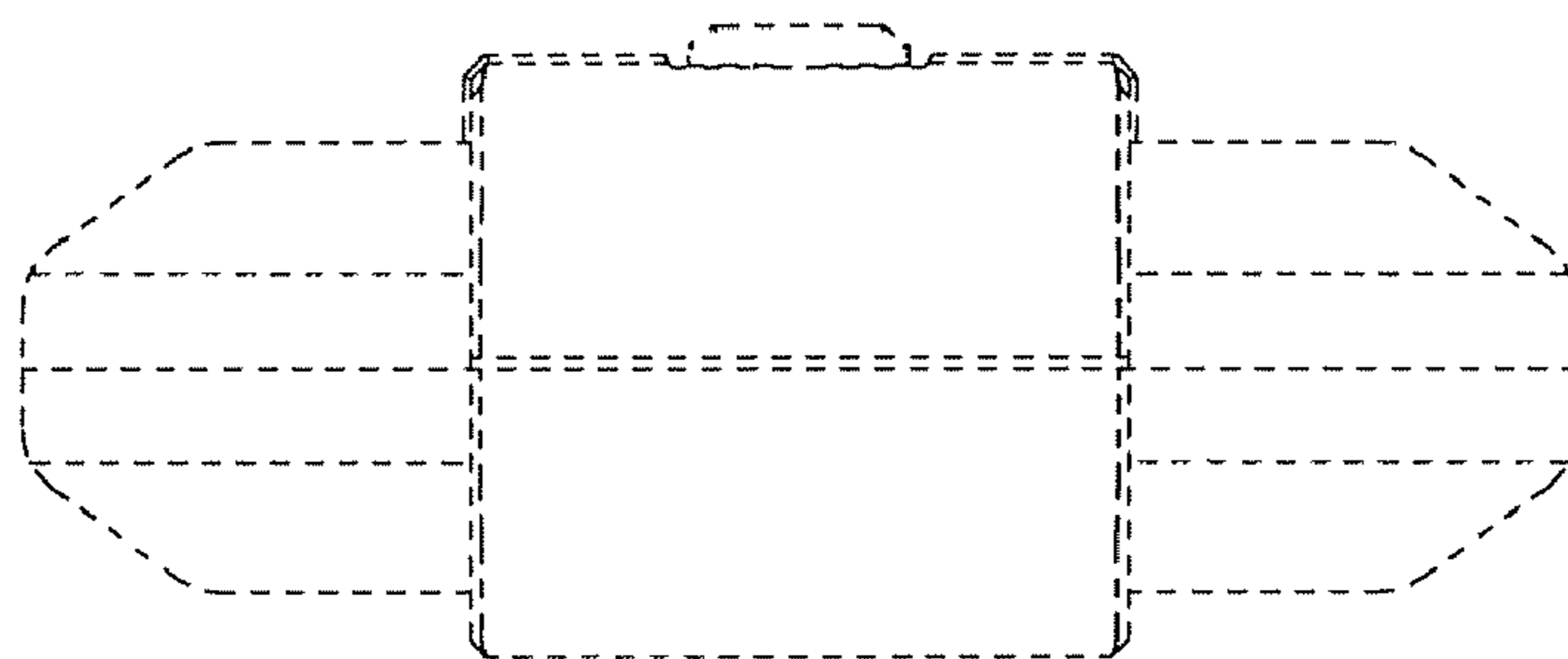


Figure 7

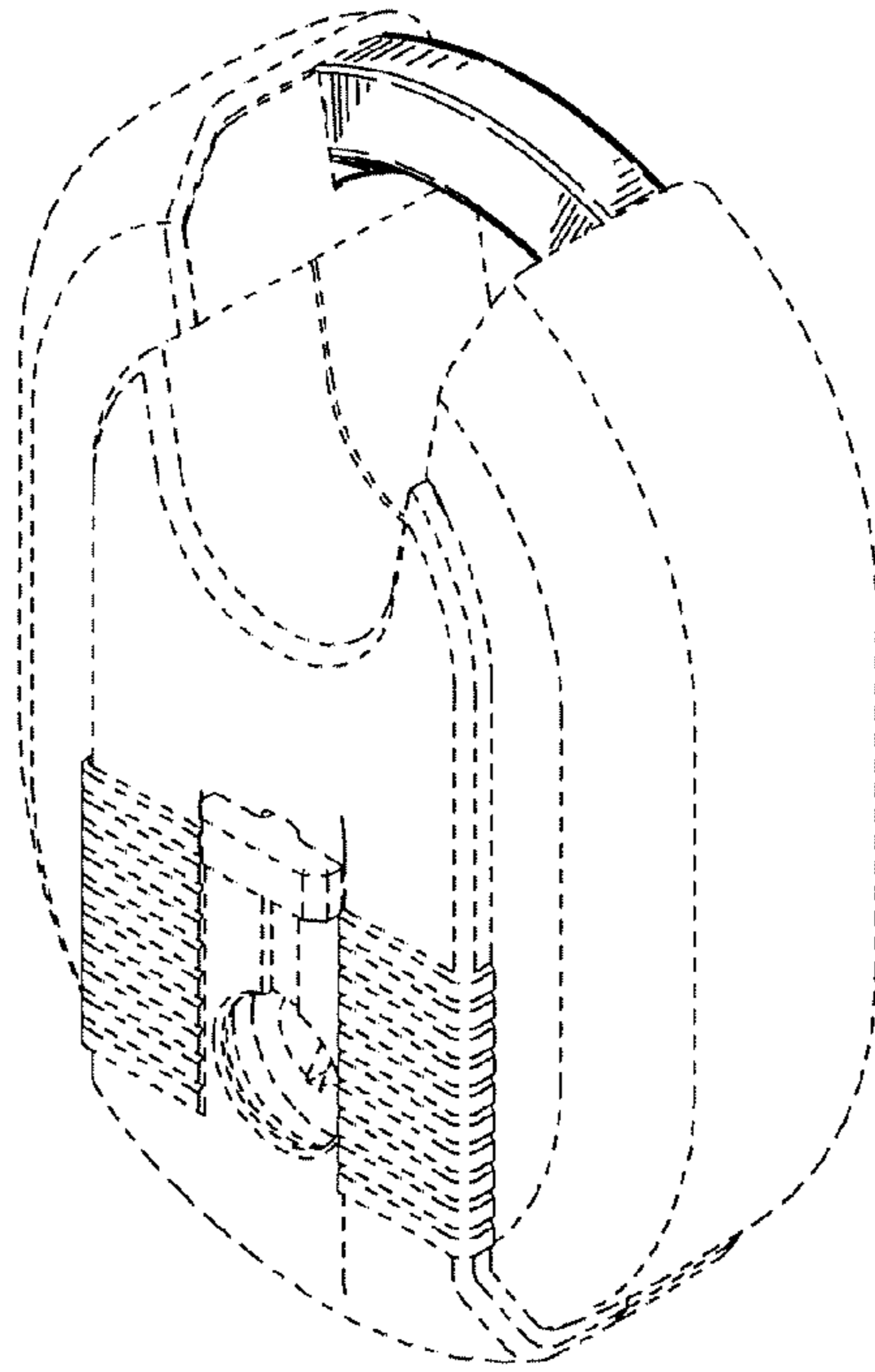


Figure 8

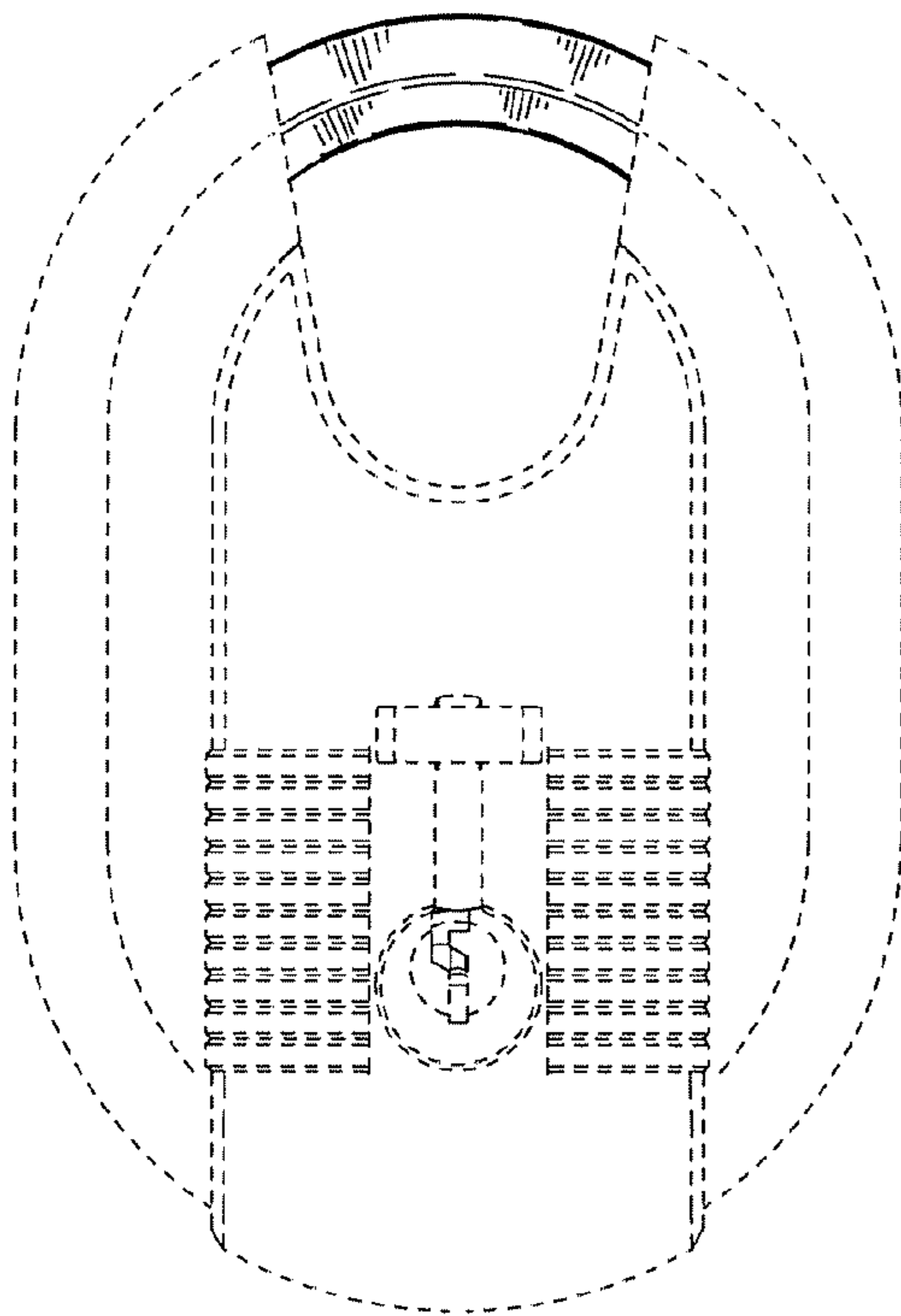


Figure 9

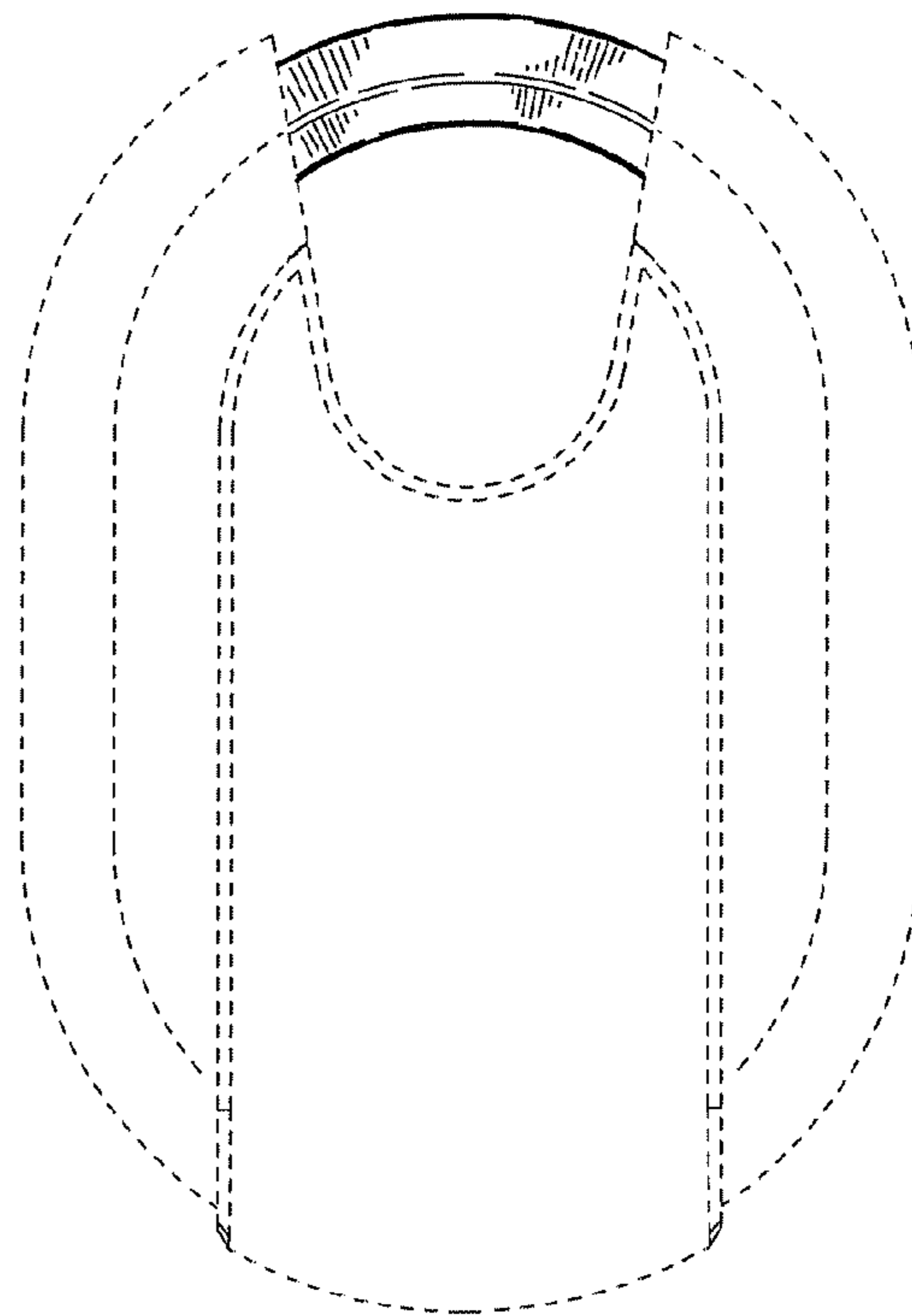


Figure 10

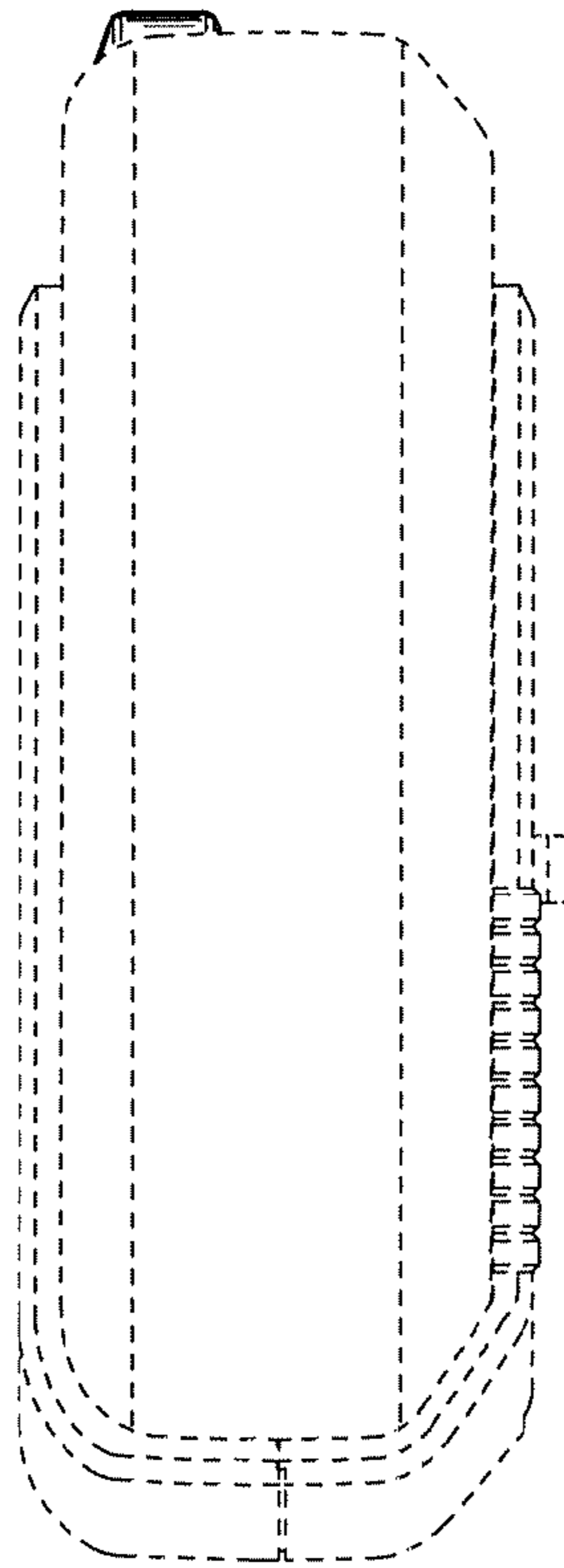


Figure 11

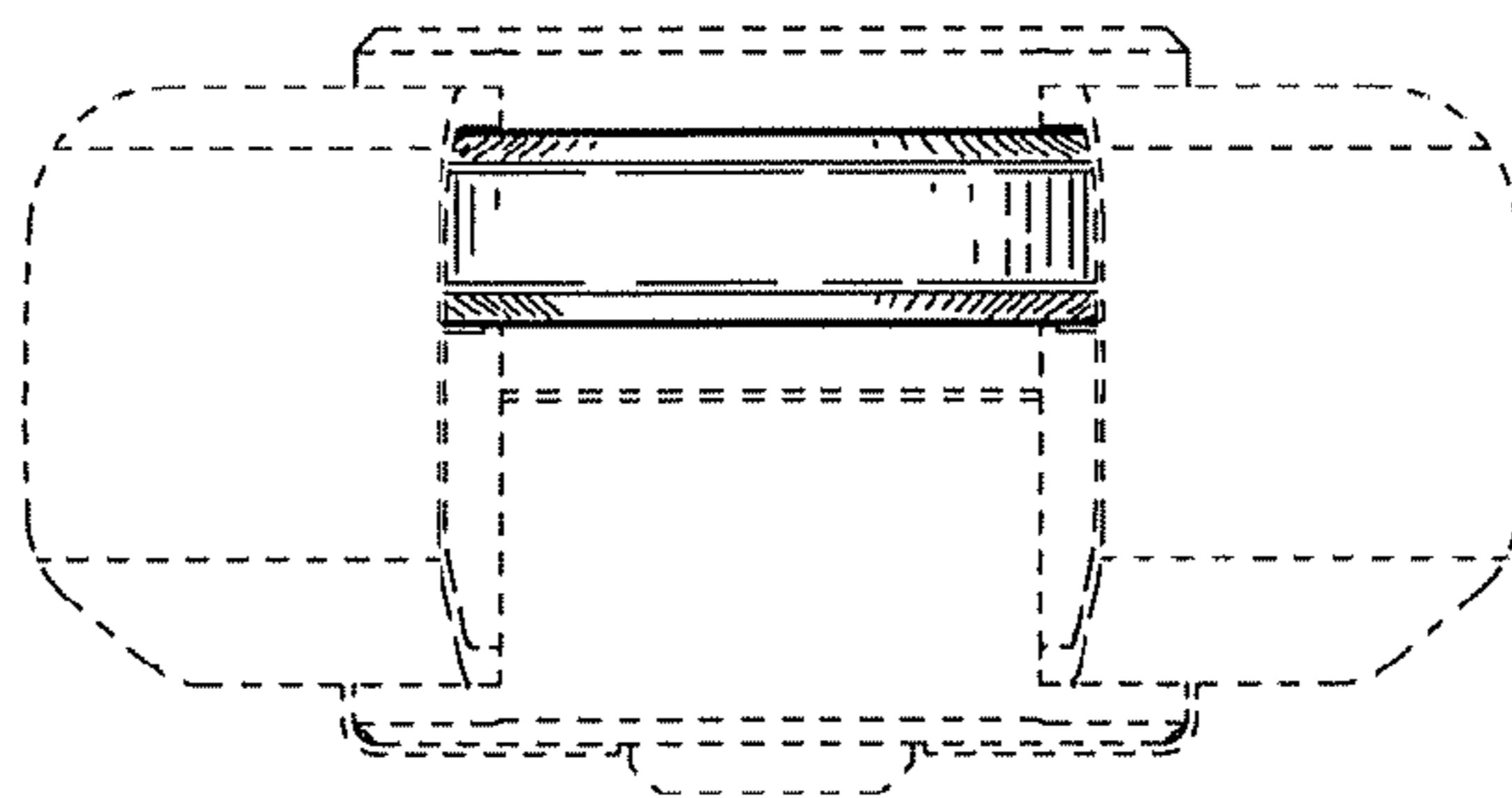


Figure 12

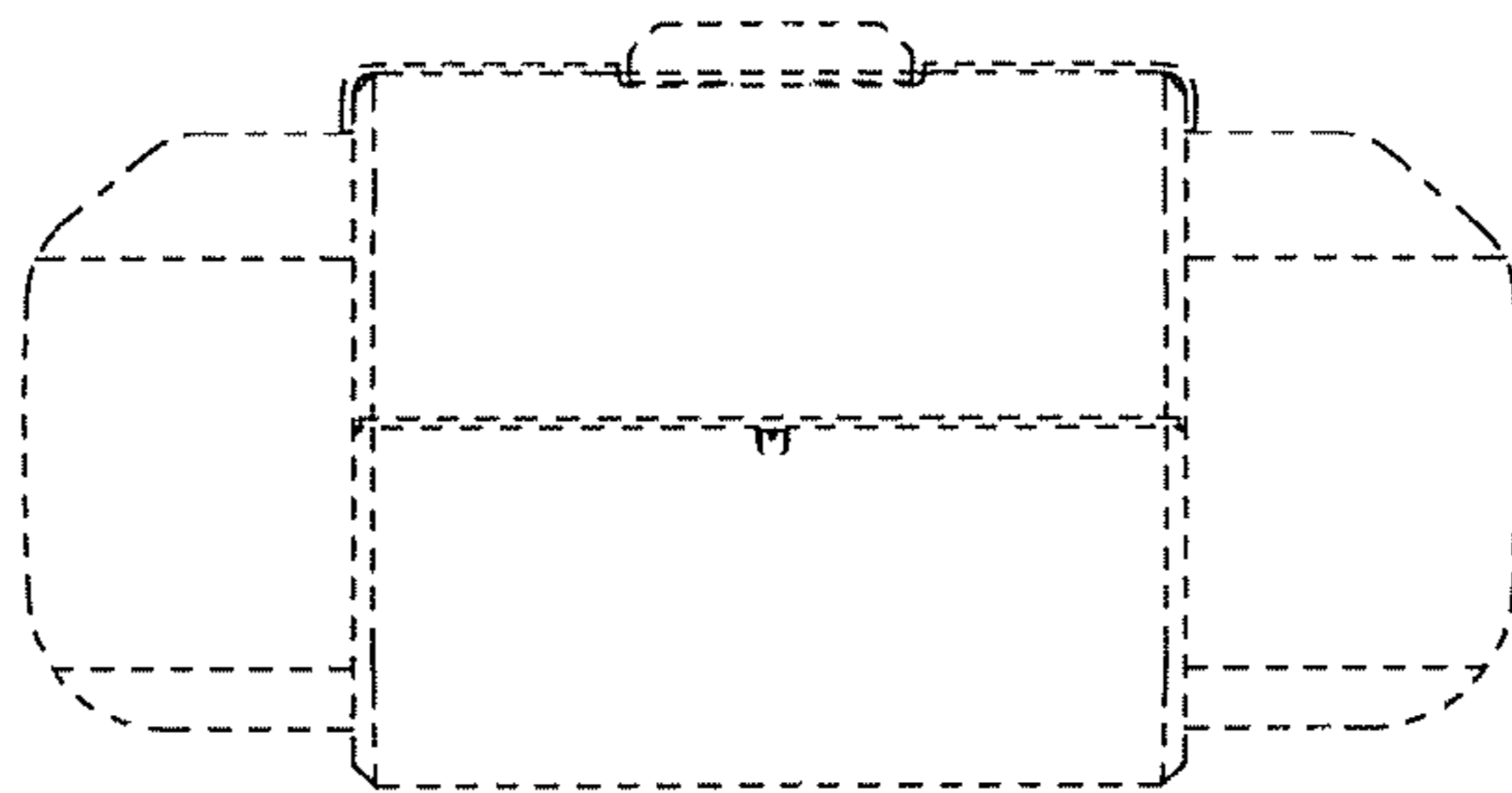


Figure 13