



US00D576859S

(12) **United States Design Patent**  
**Blomstrom et al.**

(10) **Patent No.:** **US D576,859 S**

(45) **Date of Patent:** **\*\* Sep. 16, 2008**

(54) **SHACKLE**

(75) Inventors: **John Blomstrom**, Milwaukee, WI (US);  
**John Heppner**, Kenosha, WI (US);  
**Christopher Rohde**, West Allis, WI  
(US); **Glenn P. Meekma**, Menomonee  
Falls, WI (US)

(73) Assignee: **Master Lock Company LLC**, Oak  
Creek, WI (US)

(\*\*) Term: **14 Years**

(21) Appl. No.: **29/279,888**

(22) Filed: **May 10, 2007**

(51) **LOC (8) Cl.** ..... **08-07**

(52) **U.S. Cl.** ..... **D8/343**

(58) **Field of Classification Search** ..... D8/330,  
D8/331, 333, 334, 343, 344, 356, 367, 382,  
D8/383, 499; 70/14, 18, 20-22, 24, 31, 32,  
70/34, 35, 38 A, 38 B, 38 C, 51-54, 56

See application file for complete search history.

(56) **References Cited**

U.S. PATENT DOCUMENTS

|             |         |          |
|-------------|---------|----------|
| 8,318 A     | 8/1851  | Tilton   |
| 55,167 A    | 5/1866  | Saladee  |
| 229,332 A   | 6/1880  | Pease    |
| 439,635 A   | 11/1890 | Bryant   |
| 596,596 A   | 1/1898  | Johnson  |
| 816,492 A   | 3/1906  | Mohr     |
| 823,919 A   | 6/1906  | Caldwell |
| D38,773 S   | 8/1907  | Erickson |
| 1,016,455 A | 2/1912  | Stone    |
| 1,103,015 A | 7/1914  | Andrus   |
| 1,172,970 A | 2/1916  | Fowler   |

(Continued)

OTHER PUBLICATIONS

Master Lock, No. 930 Padlocks Product Description, Master Lock  
web site, 2003.

(Continued)

*Primary Examiner*—Mitchell I. Siegel

*Assistant Examiner*—Shanda C Hill

(74) *Attorney, Agent, or Firm*—Calfee, Halter & Griswold  
LLP

(57) **CLAIM**

We claim the ornamental design for a shackle, as shown and  
described.

**DESCRIPTION**

FIG. 1 is a perspective view of a shackle showing our new  
design;

FIG. 2 is a front view of FIG. 1;

FIG. 3 is a rear view of FIG. 1;

FIG. 4 is a cross-sectional view of FIG. 1 taken along the lines  
4—4 of FIG. 2;

FIG. 5 is a right side view of FIG. 1, wherein the left side view  
is a mirror image;

FIG. 6 is a top view of FIG. 1;

FIG. 7 is a bottom view of FIG. 1;

FIG. 8 is a perspective view of FIG. 1 shown in an alternate  
environment;

FIG. 9 is a front view of FIG. 8;

FIG. 10 is a rear view of FIG. 8;

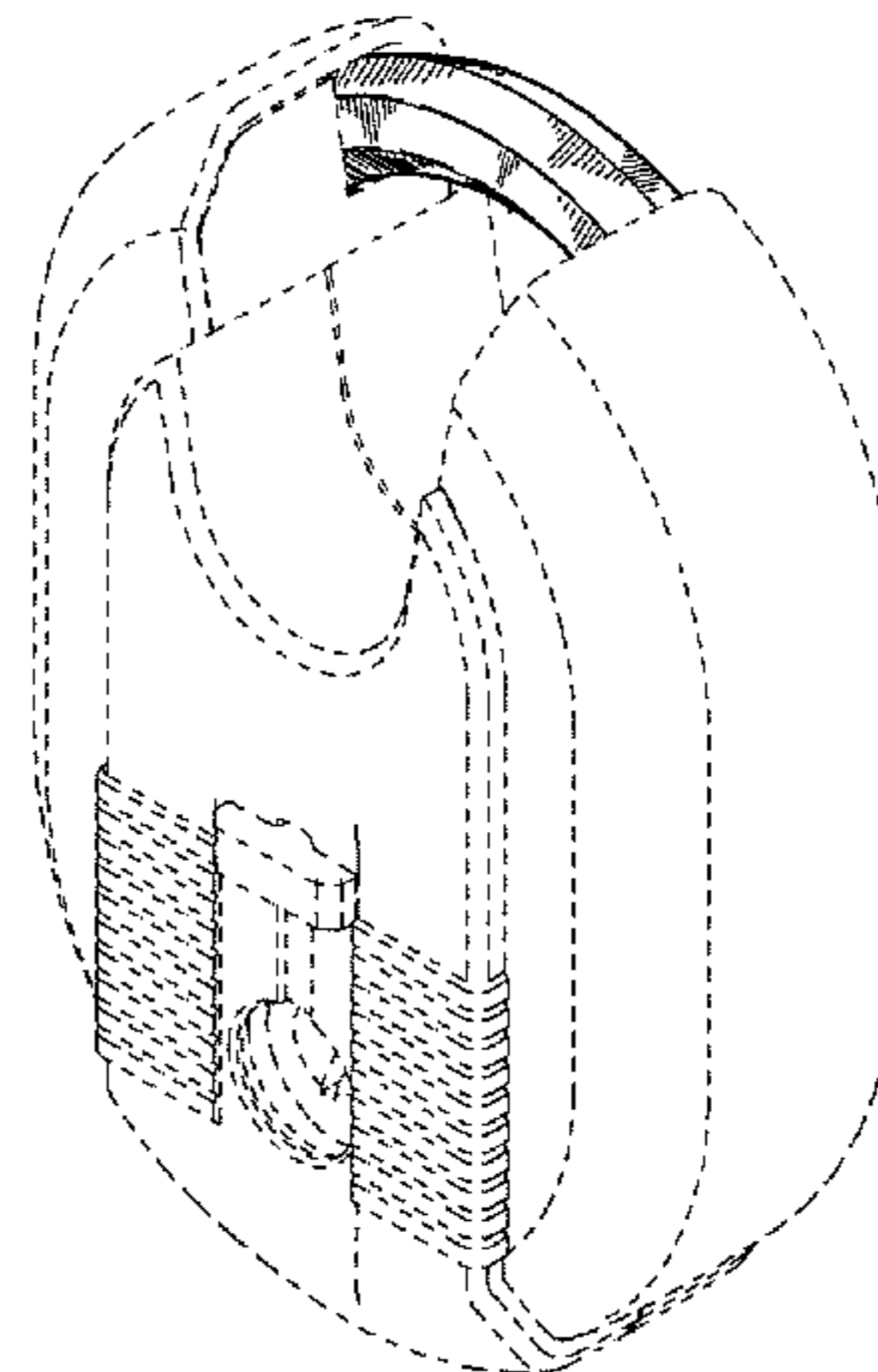
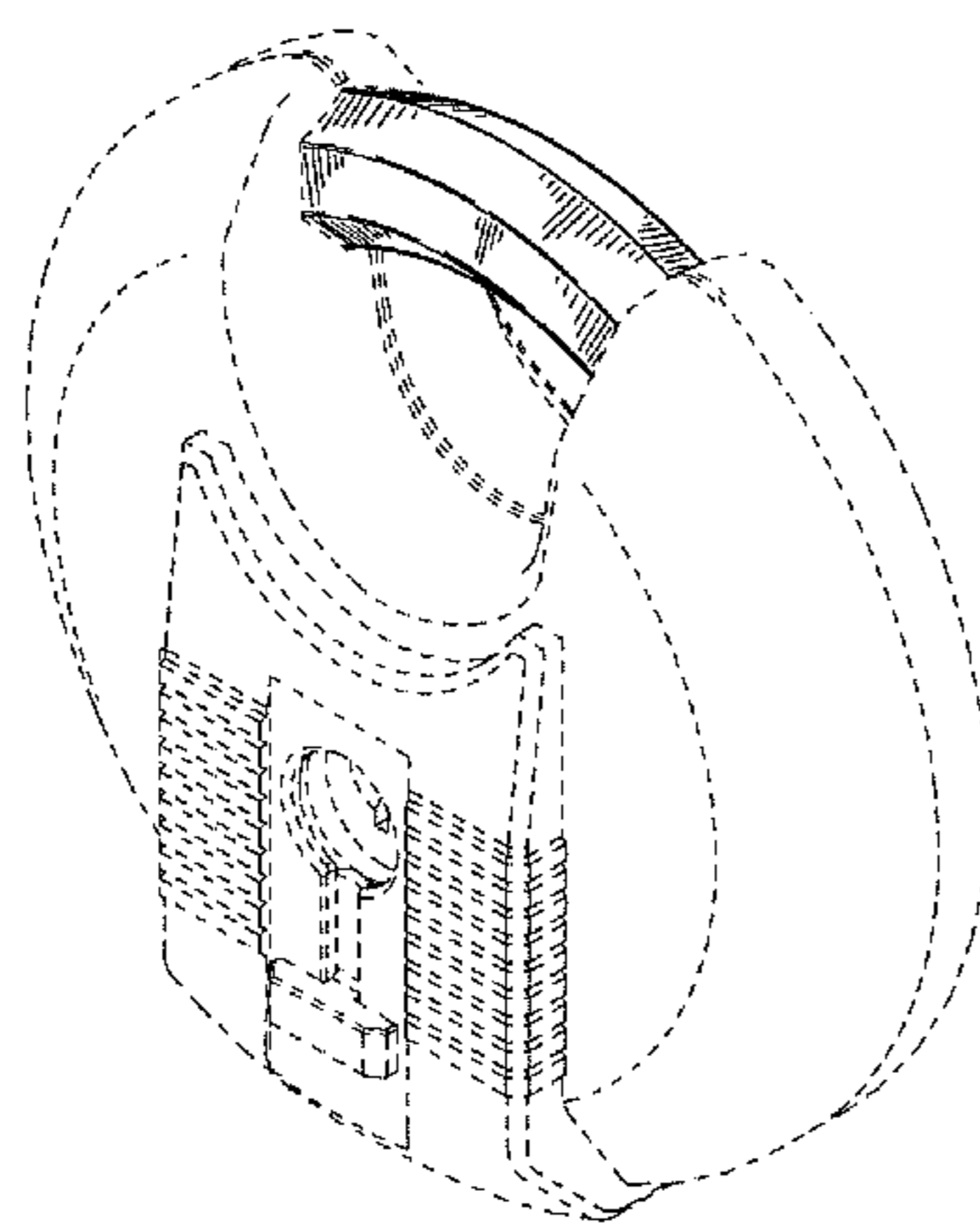
FIG. 11 is a right side view of FIG. 8, wherein the left side  
view is a mirror image;

FIG. 12 is a top view of FIG. 8; and,

FIG. 13 is a bottom view of FIG. 8.

The broken lines shown in the drawing disclosure are for  
illustrative purposes only and form no part of the claimed  
design.

**1 Claim, 4 Drawing Sheets**



# US D576,859 S

Page 2

## U.S. PATENT DOCUMENTS

1,490,453 A 4/1924 Caldwell  
1,581,953 A 4/1926 Jackson  
D82,115 S 9/1930 Smith  
D83,283 S 2/1931 Stone  
D144,684 S 5/1946 Bouhall  
3,260,079 A 7/1966 Caskey  
D231,895 S 6/1974 Stolarz  
3,835,675 A 9/1974 Lippisch  
4,519,226 A 5/1985 Hadaway  
4,905,486 A 3/1990 Appelbaum  
D314,908 S 2/1991 Pederson  
D315,090 S 3/1991 Pedersen  
4,998,423 A 3/1991 Hsu  
5,044,180 A 9/1991 Lebrecht  
D342,009 S 12/1993 Lebrecht et al.  
D373,300 S 9/1996 Zane  
D378,567 S 3/1997 Zane  
D379,919 S 6/1997 Mountain  
D388,688 S 1/1998 Yang  
5,765,409 A 6/1998 Yang  
D406,043 S 2/1999 LeClaire  
D407,294 S 3/1999 Chen  
D407,625 S 4/1999 Yang  
5,901,587 A 5/1999 Chen  
5,918,489 A 7/1999 Yang  
5,921,123 A 7/1999 Schwarzkopf et al.  
D423,323 S 4/2000 Fiegenger et al.  
D423,906 S 5/2000 Fiegenger et al.  
D423,907 S 5/2000 Fiegenger et al.  
D423,908 S 5/2000 Liu  
D425,397 S 5/2000 Fiegenger et al.  
D425,398 S 5/2000 Fiegenger et al.  
D426,763 S 6/2000 Adler et al.  
D428,794 S 8/2000 Fiegenger et al.  
D429,993 S 8/2000 Liu

D432,391 S 10/2000 Heppner  
D437,204 S 2/2001 Kajuch et al.  
D439,823 S 4/2001 Adler et al.  
D449,510 S 10/2001 Liu  
6,305,198 B1 10/2001 Chastain et al.  
D455,639 S 4/2002 McDaid et al.  
6,363,758 B1 4/2002 Ling  
D470,746 S 2/2003 Gast  
D476,216 S 6/2003 Vito  
D482,594 S 11/2003 Ling  
D484,777 S 1/2004 Ruan  
D524,632 S 7/2006 Kearns et al.  
D528,402 S \* 9/2006 Ruan ..... D8/343  
D529,368 S \* 10/2006 Ruan ..... D8/343  
D533,437 S \* 12/2006 Ruan ..... D8/343  
D539,114 S \* 3/2007 Vito ..... D8/343  
D541,630 S 5/2007 Blomstrom  
D542,625 S 5/2007 Blomstrom et al.  
D545,175 S \* 6/2007 Vito ..... D8/343  
D545,177 S \* 6/2007 Vito ..... D8/343  
D547,162 S \* 7/2007 Heppner ..... D8/343  
D547,635 S \* 7/2007 Vito ..... D8/343  
D548,568 S \* 8/2007 Vito ..... D8/343  
D548,569 S \* 8/2007 Vito ..... D8/343  
D549,076 S \* 8/2007 Vito ..... D8/343  
D549,554 S \* 8/2007 Heppner ..... D8/343  
D556,541 S \* 12/2007 Blomstrom et al. .... D8/343

## OTHER PUBLICATIONS

Master Lock, No. 40 Padlocks Product Description, Master Lock web site. 2003.

Master Lock, No. 187 padlock Product Product Description, Master Lock web site, 2003.

Locksmith Dealers of America, Discus Padlock Product Description, Corridor Lock website.

\* cited by examiner

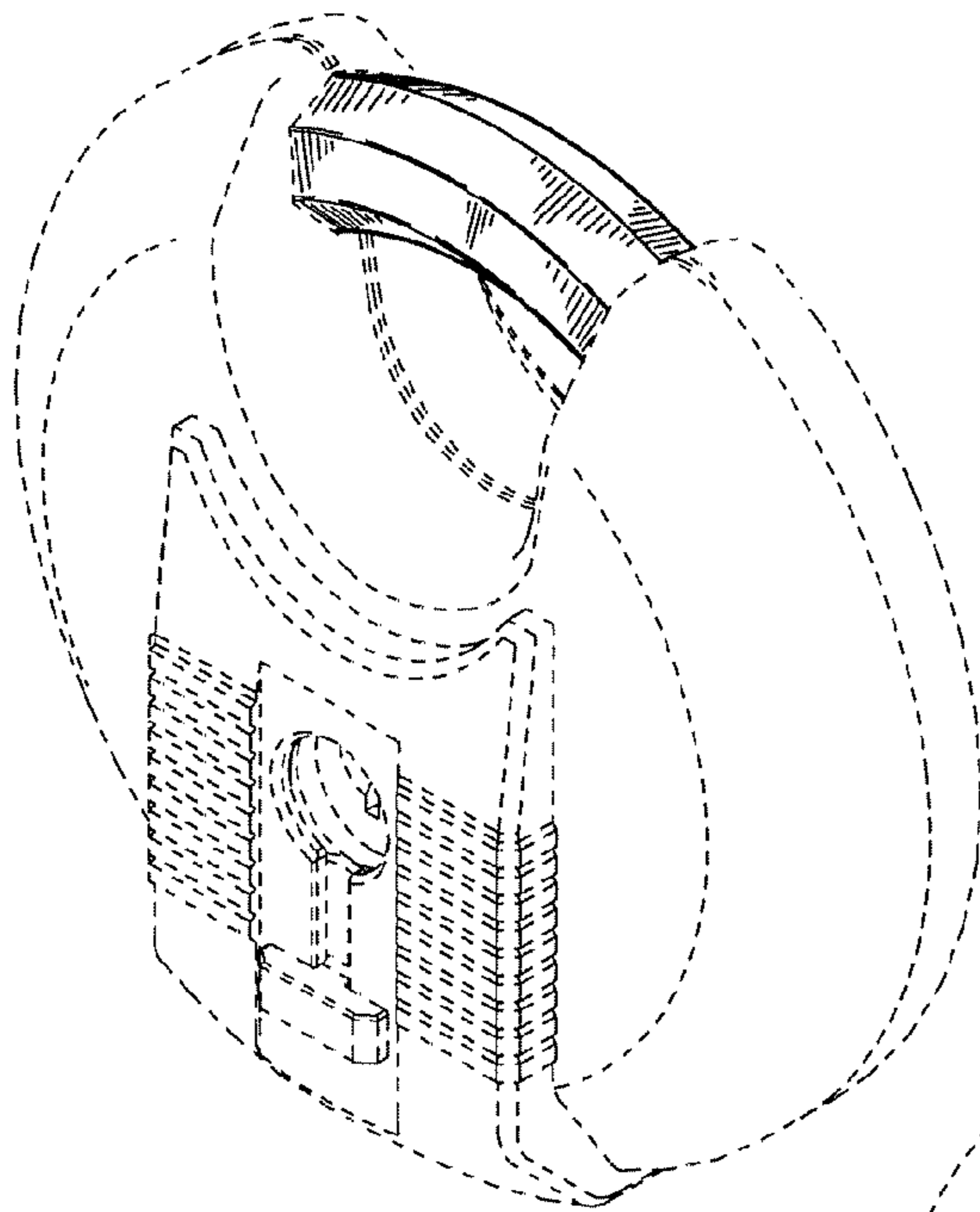


Figure 1

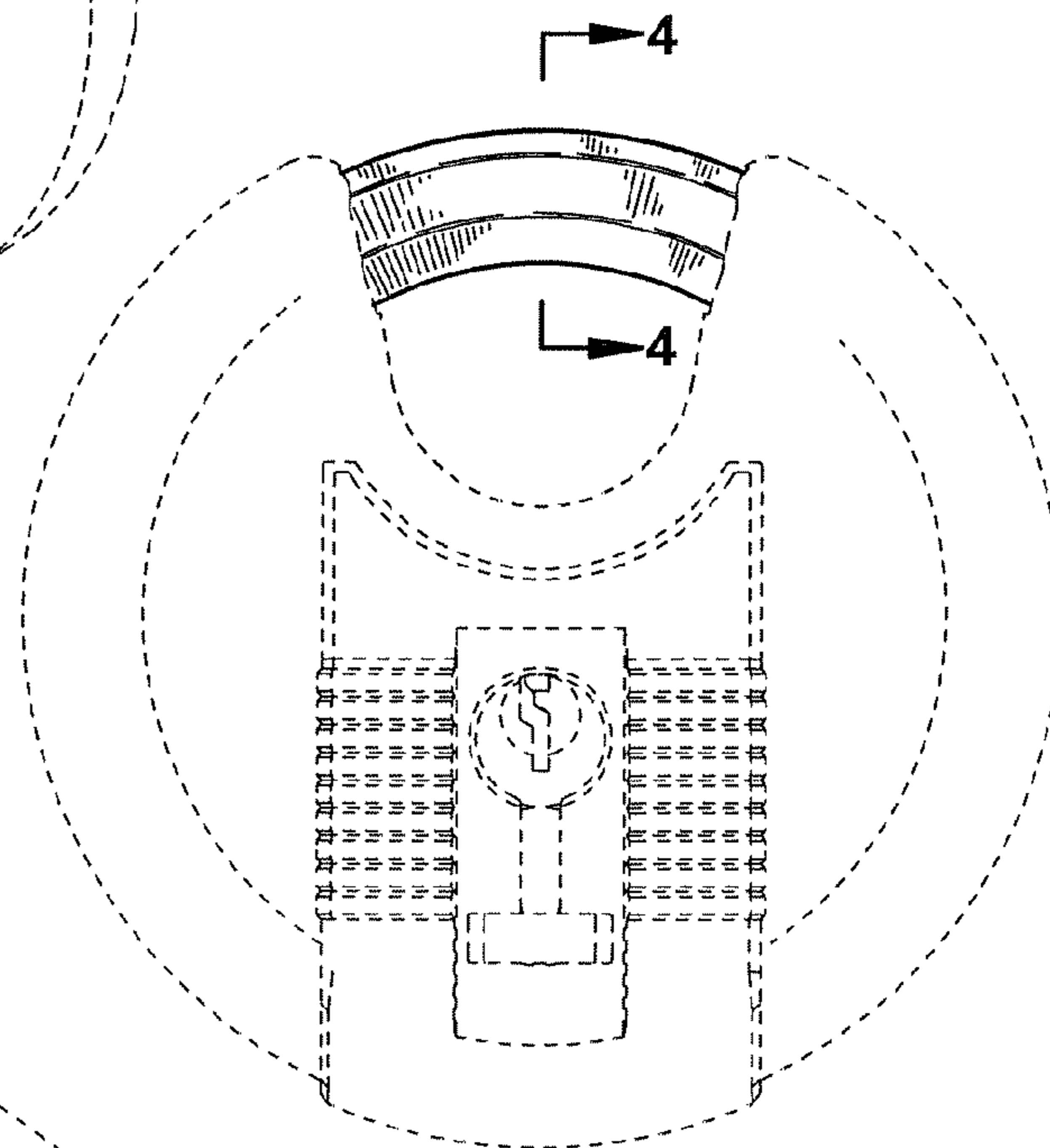


Figure 2

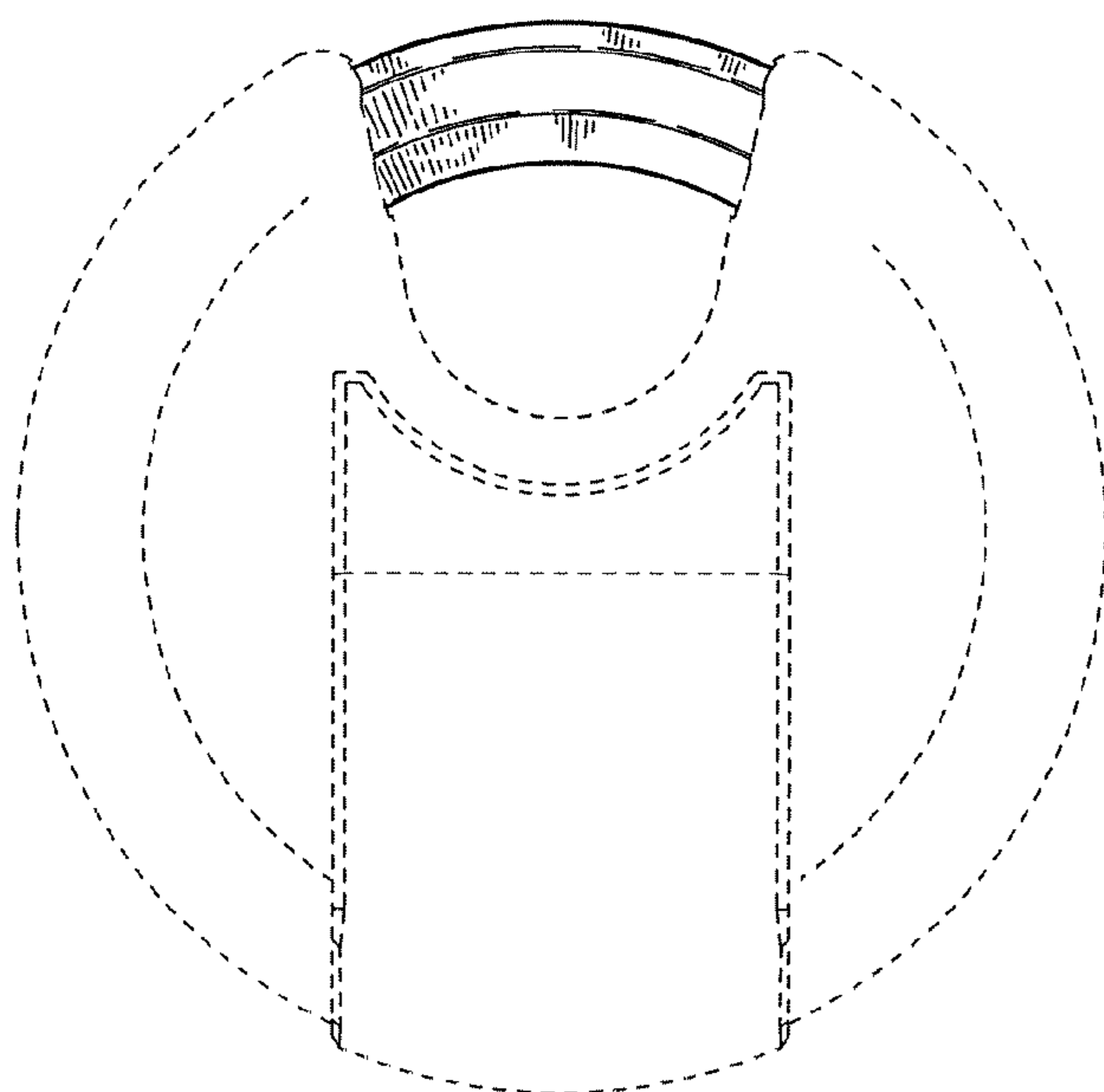
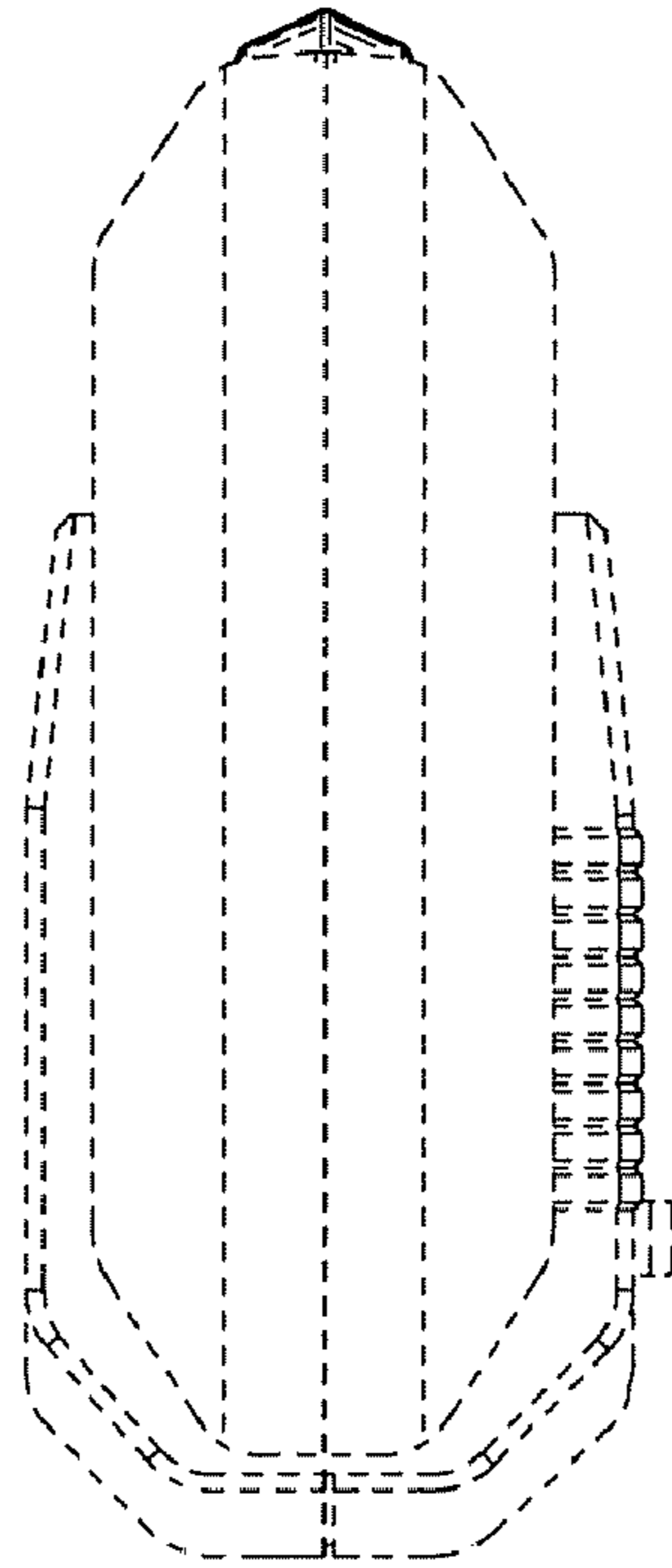


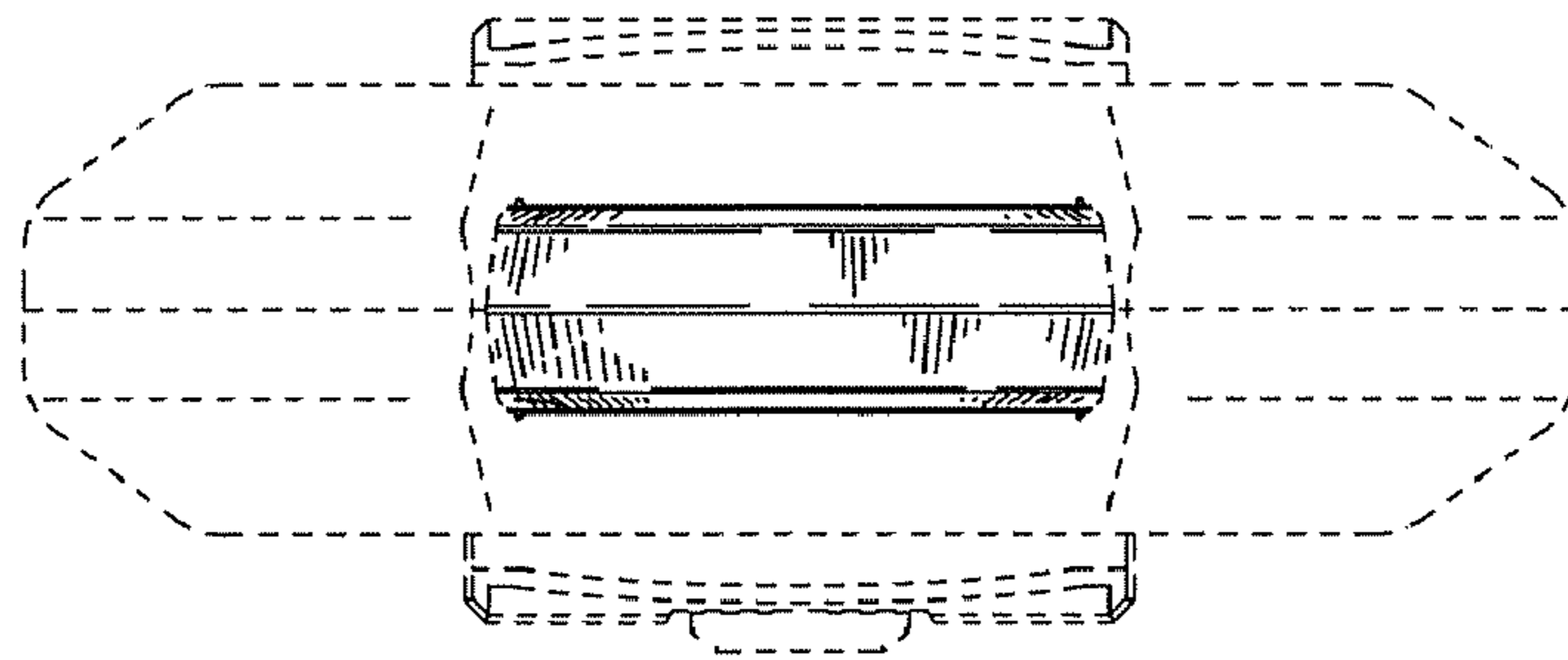
Figure 3



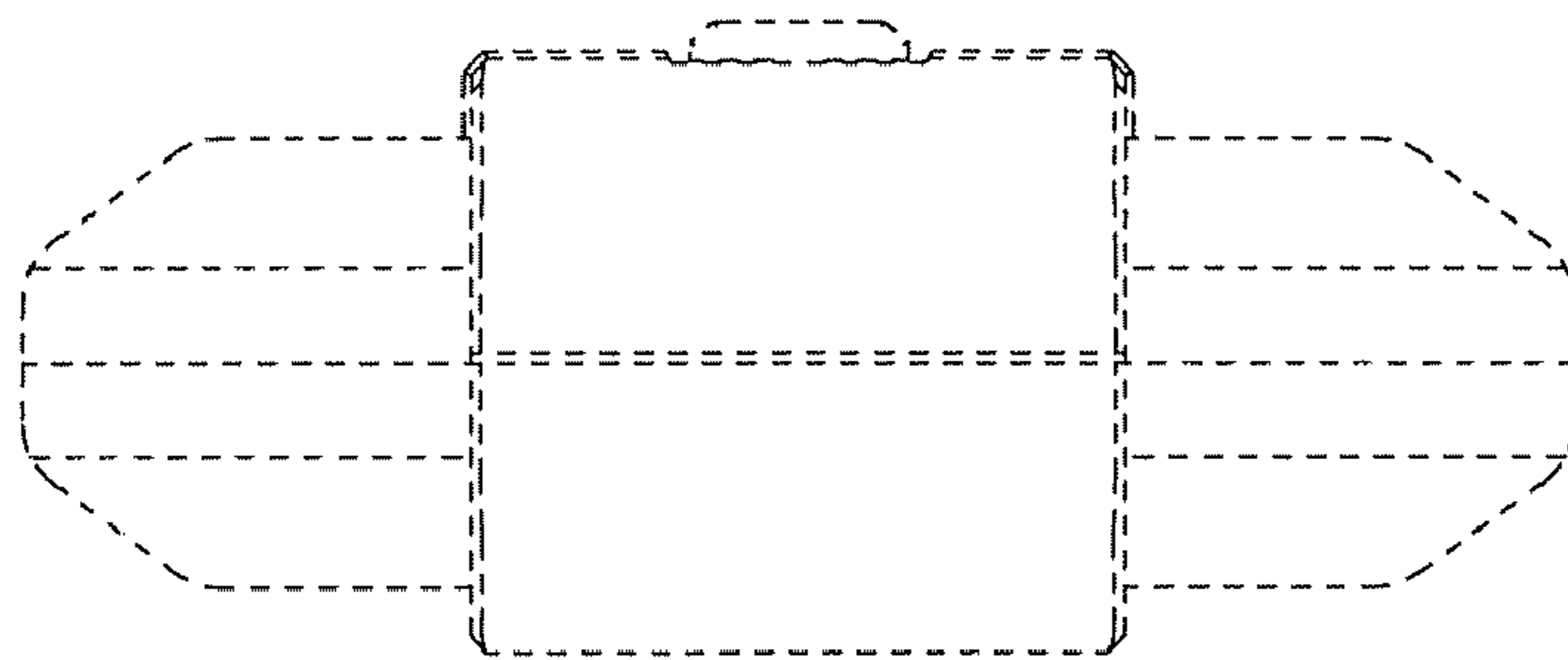
Figure 4



**Figure 5**



**Figure 6**



**Figure 7**

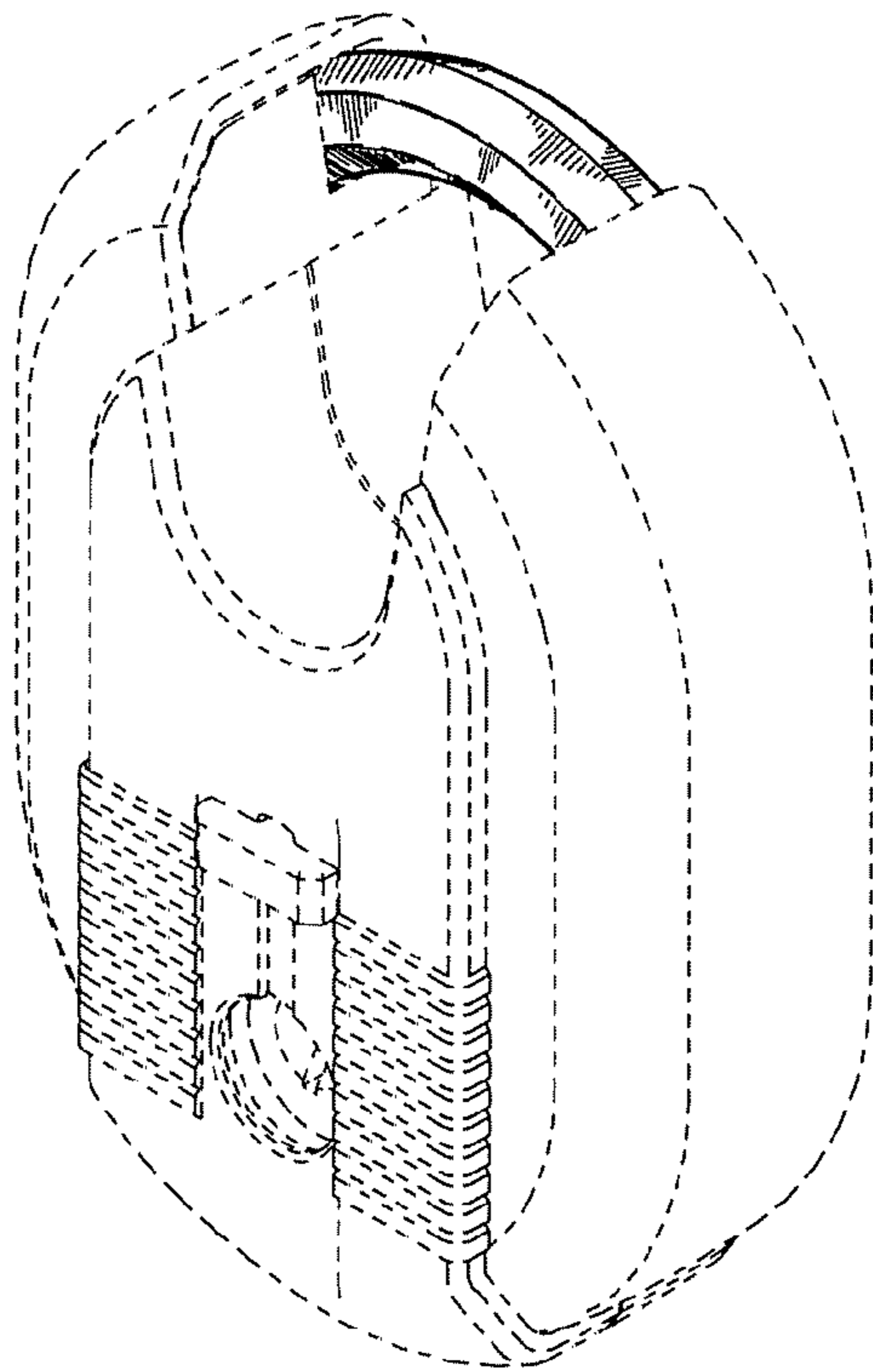


Figure 8

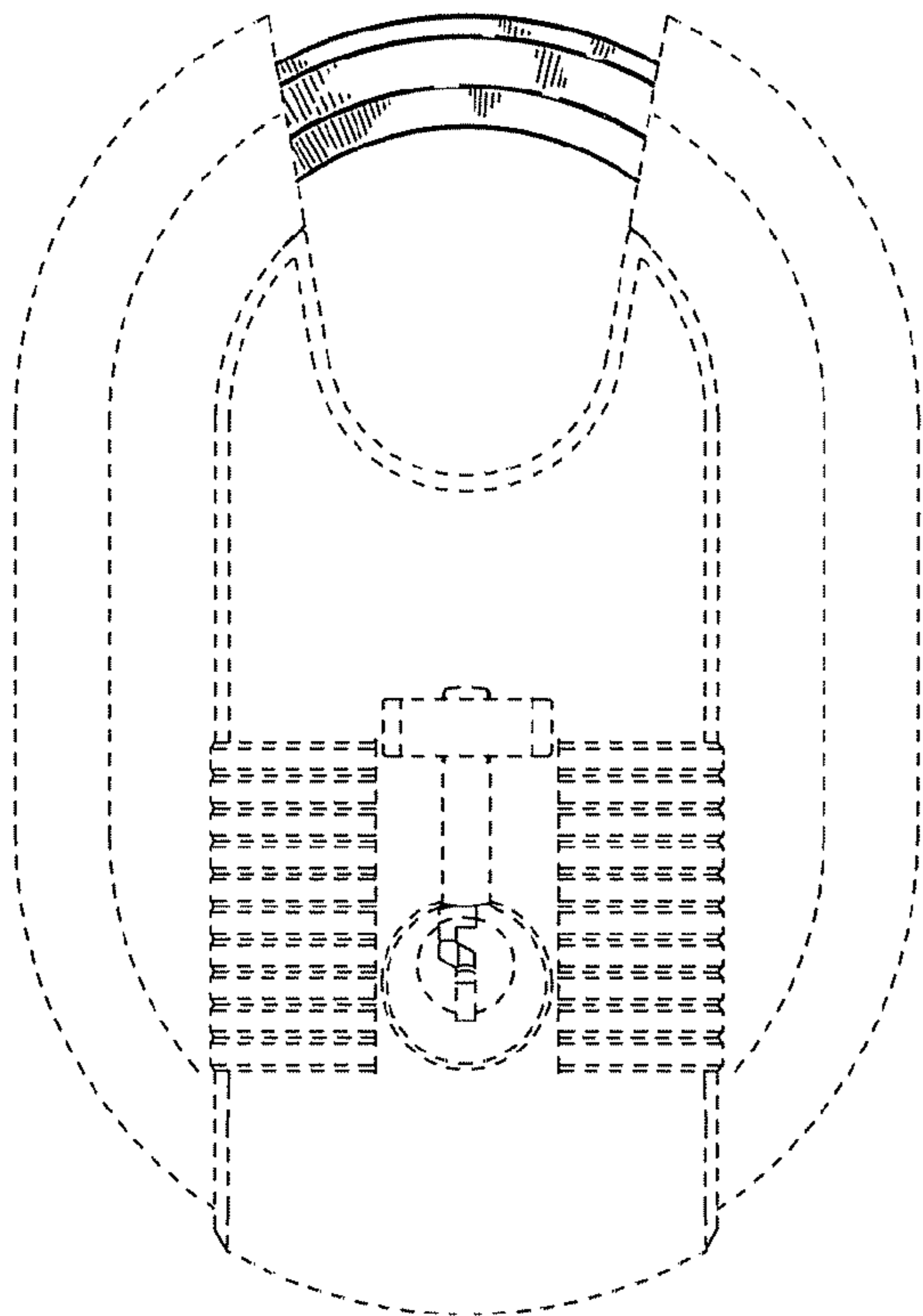


Figure 9

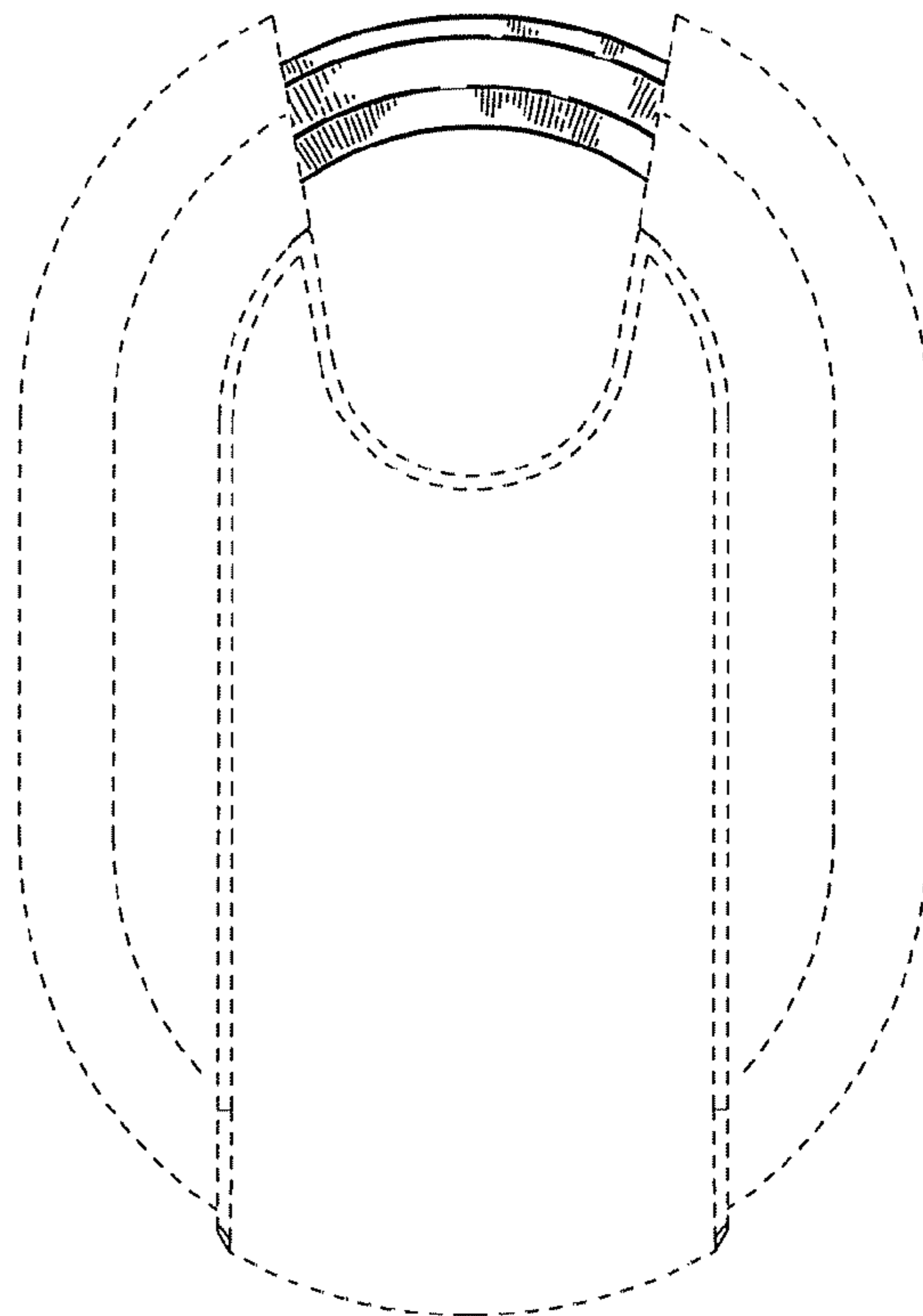


Figure 10

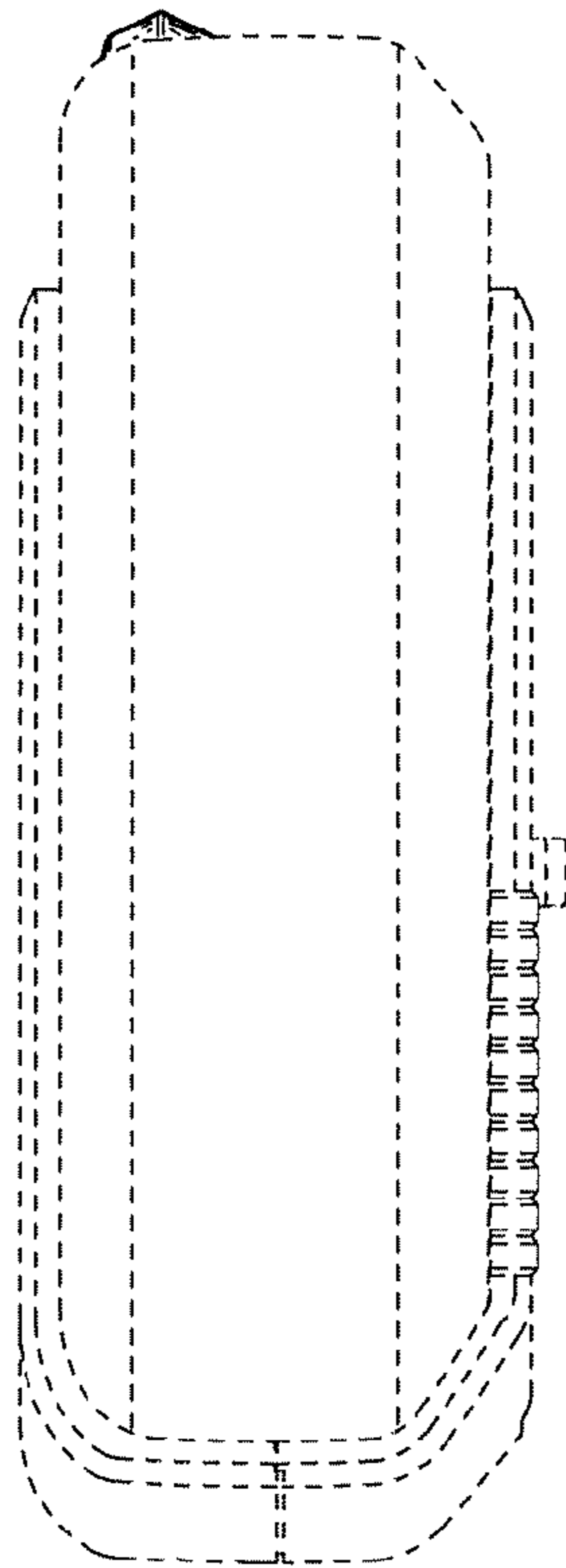


Figure 11

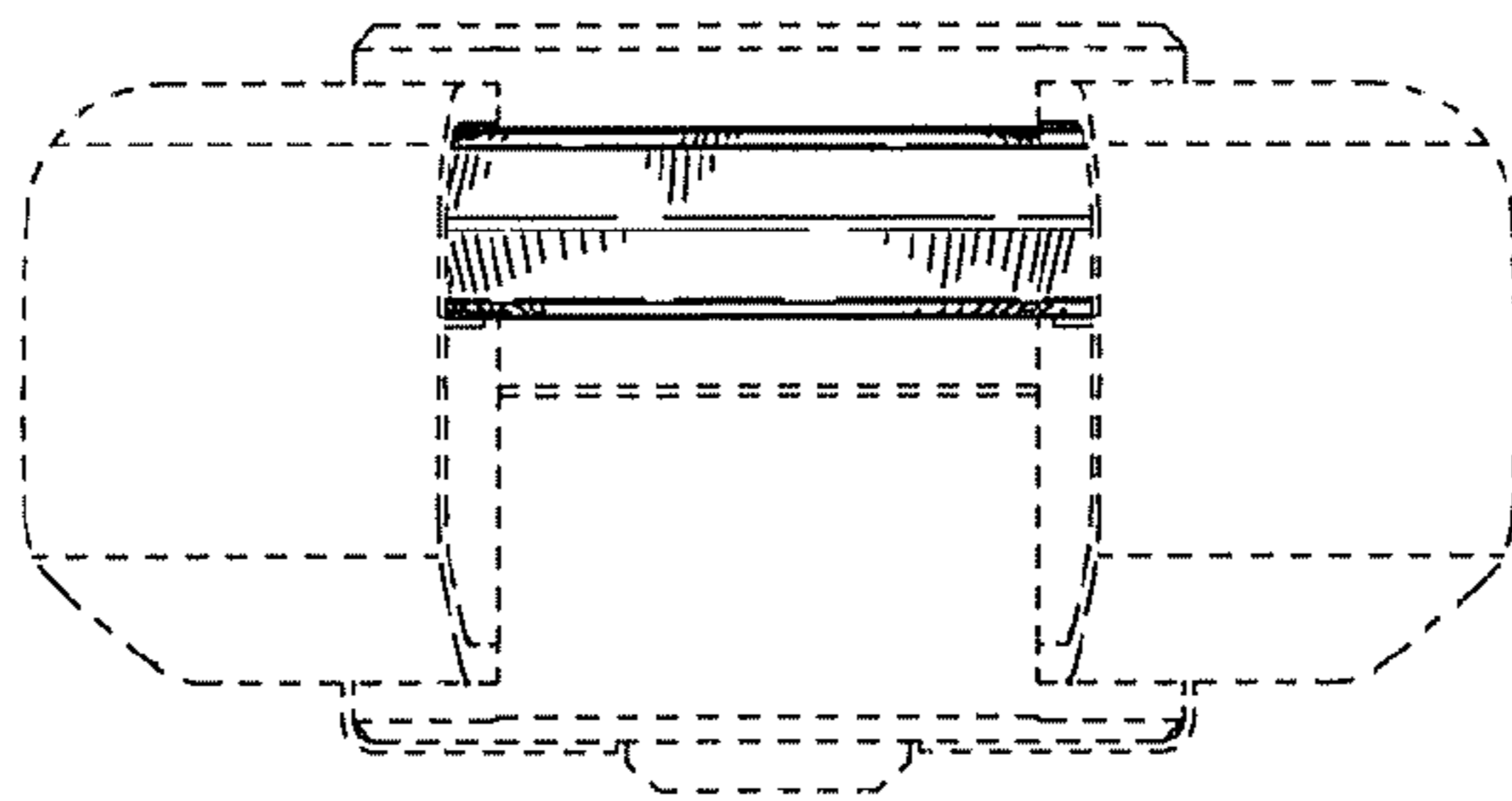


Figure 12

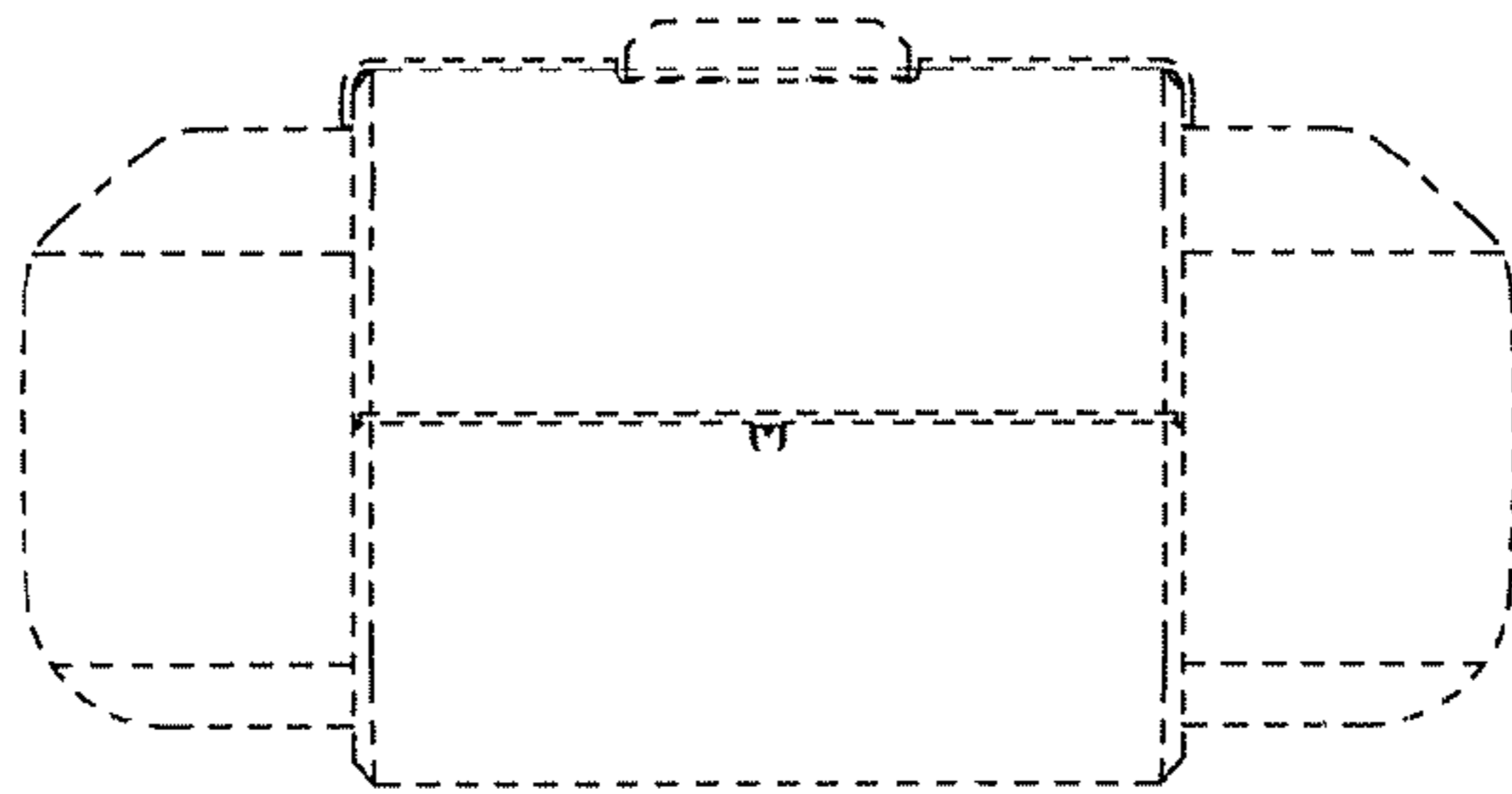


Figure 13