



US00D576857S

(12) **United States Design Patent**
Mandel

(10) **Patent No.:** **US D576,857 S**

(45) **Date of Patent:** **** Sep. 16, 2008**

(54) **LETTER OPENER**

(74) *Attorney, Agent, or Firm*—Christie, Parker & Hale, LLP

(75) Inventor: **Logan Flash Mandel**, Los Angeles, CA
(US)

(57) **CLAIM**

The ornamental design for letter opener, as shown and described.

(73) Assignee: **GMPC, LLC**, Santa Monica, CA (US)

(**) Term: **14 Years**

DESCRIPTION

(21) Appl. No.: **29/303,403**

FIG. 1 is a right side view of a letter opener showing my new design in its closed position;

(22) Filed: **Feb. 7, 2008**

FIG. 2 is a left side view thereof;

(51) **LOC (8) Cl.** **08-03**

FIG. 3 is a front view thereof;

(52) **U.S. Cl.** **D8/102**

FIG. 4 is a rear view thereof;

(58) **Field of Classification Search** D10/62,
D10/71; D28/48; D32/54; D8/102, 103,
D8/104, 48, 98; 254/28; 30/112, 151, 2,
30/286, 287, 294; 7/160

FIG. 5 is a bottom view thereof;

FIG. 6 is a top view thereof;

See application file for complete search history.

FIG. 7 is a right side view of the letter opener of FIG. 1, but its opened position;

FIG. 8 is a left side view of the letter opener of FIG. 7;

(56) **References Cited**

U.S. PATENT DOCUMENTS

1,052,695	A *	2/1913	Sheldon	30/112
D107,570	S *	12/1937	Erk	D10/62
3,751,806	A *	8/1973	Patrick	30/294
D329,368	S *	9/1992	Desrochers	D8/102
D334,702	S *	4/1993	Godsey	D8/104
D401,492	S *	11/1998	Joseph, Jr.	D8/98
5,829,321	A *	11/1998	Domenico	76/104.1
D438,440	S *	3/2001	Cheldin	D8/48
D457,047	S *	5/2002	FitzGerald	D8/104
D514,916	S *	2/2006	Craig	D8/102

FIG. 9 a front view of the letter opener of FIG. 7;

FIG. 10 a rear view of the letter opener of FIG. 7;

FIG. 11 is a bottom right isometric view of the letter opener of FIG. 1 in its closed position;

FIG. 12 is a bottom left isometric view of the letter opener of FIG. 1 in its closed position;

FIG. 13 is a bottom right isometric view of the letter opener of FIG. 1 in its opened position; and,

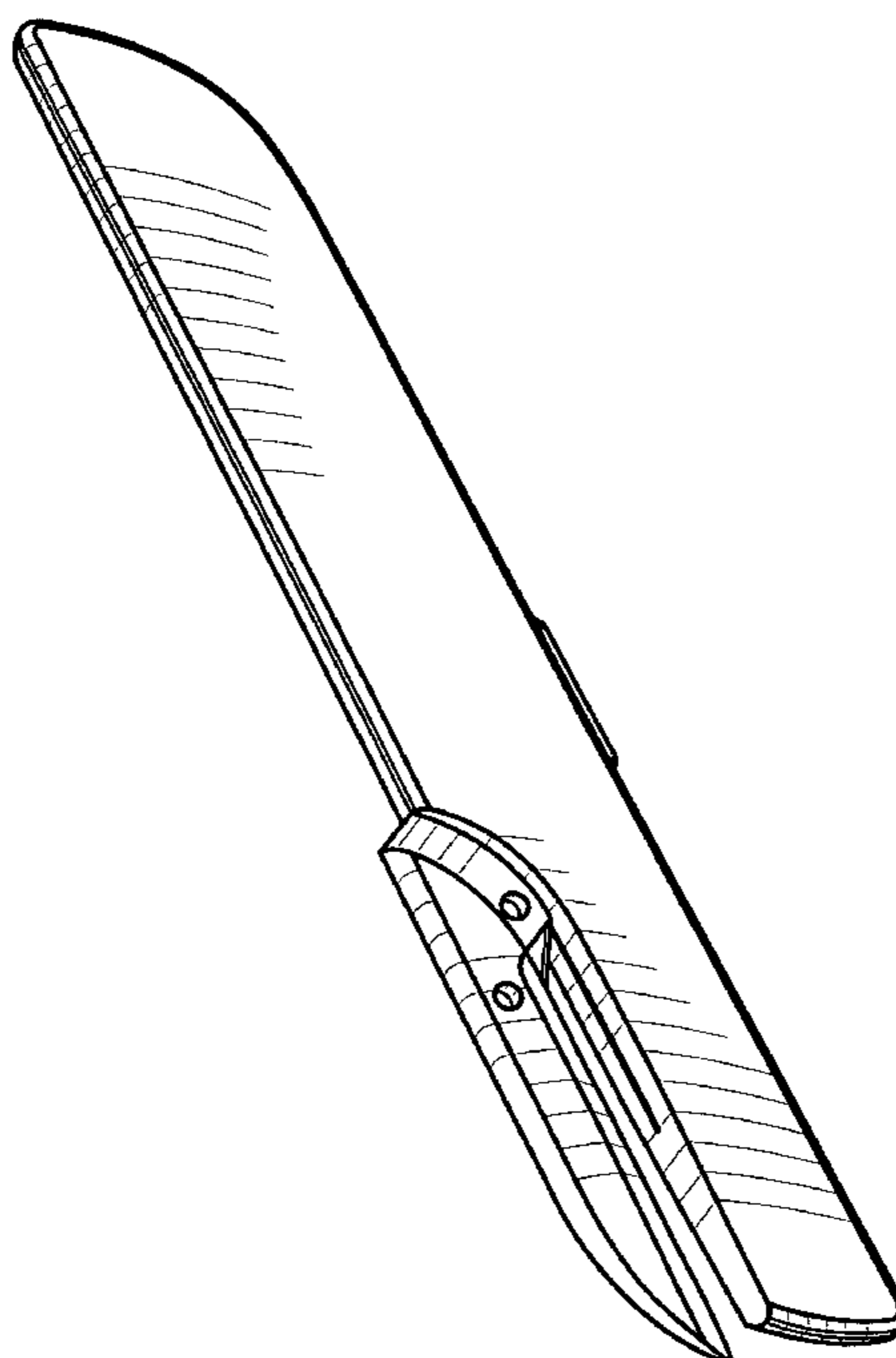
FIG. 14 is a bottom left isometric view of the letter opener of FIG. 1 in its opened position.

* cited by examiner

The bottom view of the letter opener of FIG. 7 is the same as in FIG. 5.

Primary Examiner—Cathron Brooks
Assistant Examiner—Austin Murphy

1 Claim, 14 Drawing Sheets



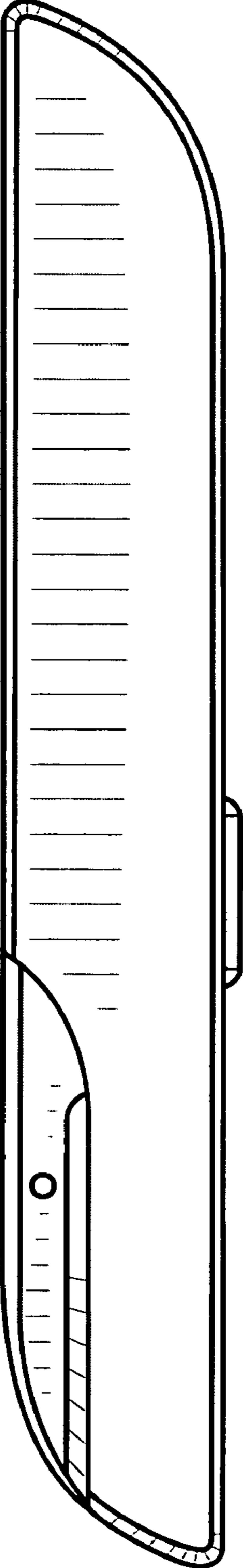


FIG. 1

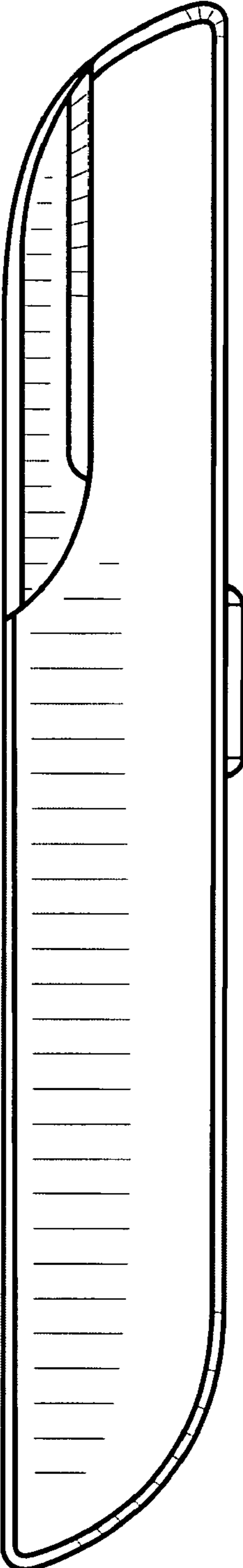


FIG. 2



FIG. 3

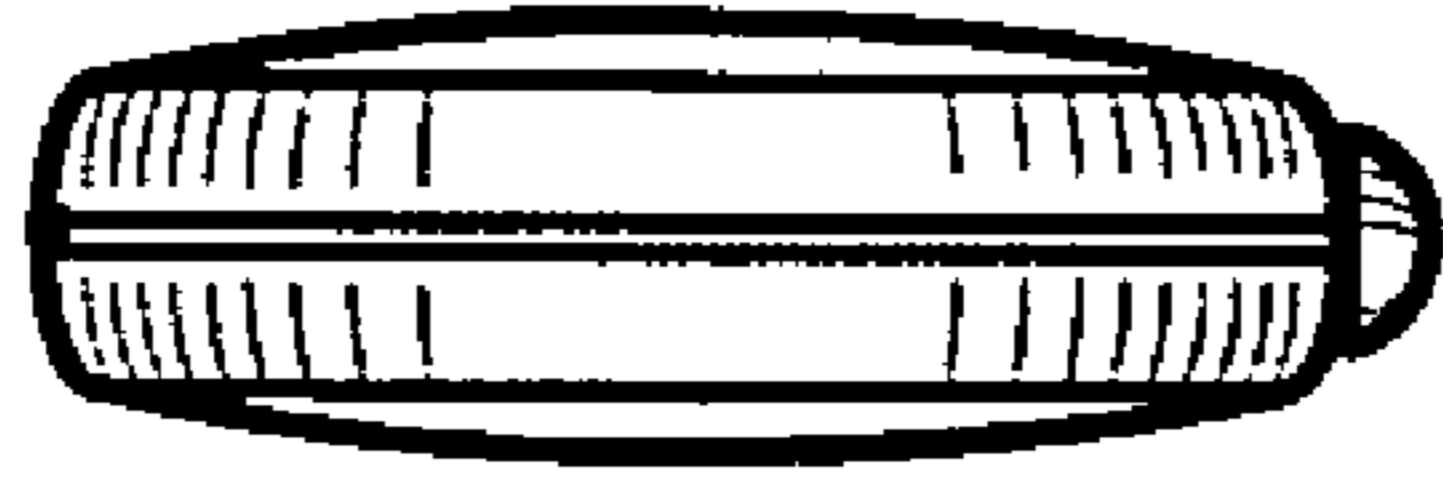


FIG. 4

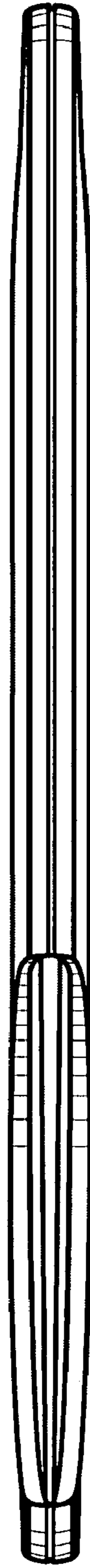


FIG. 5

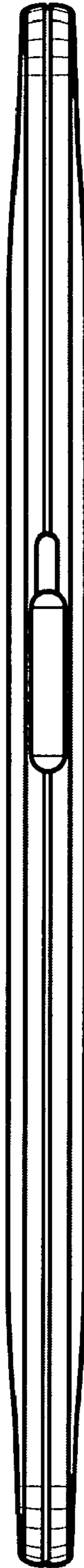


FIG. 6

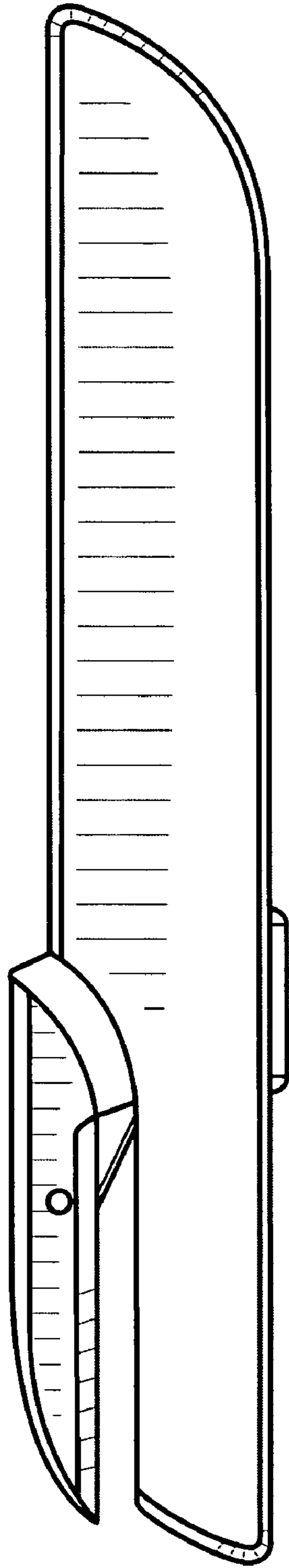


FIG. 7

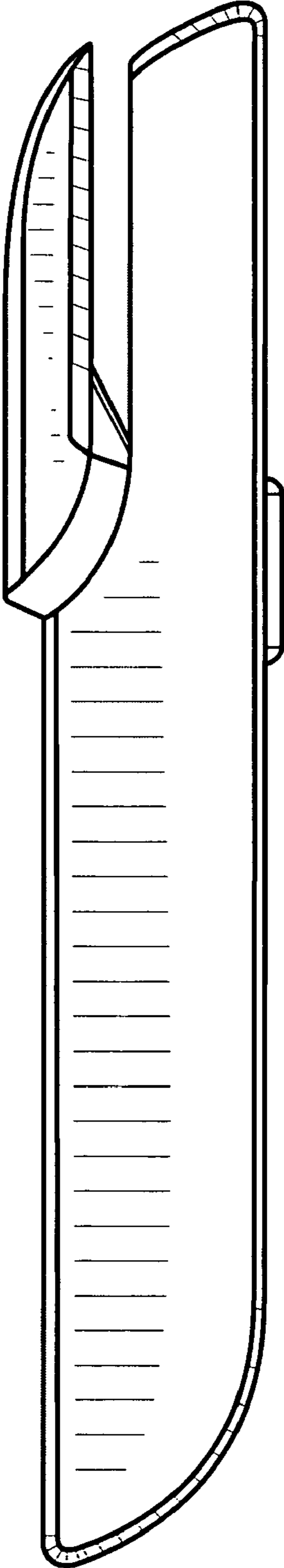


FIG. 8

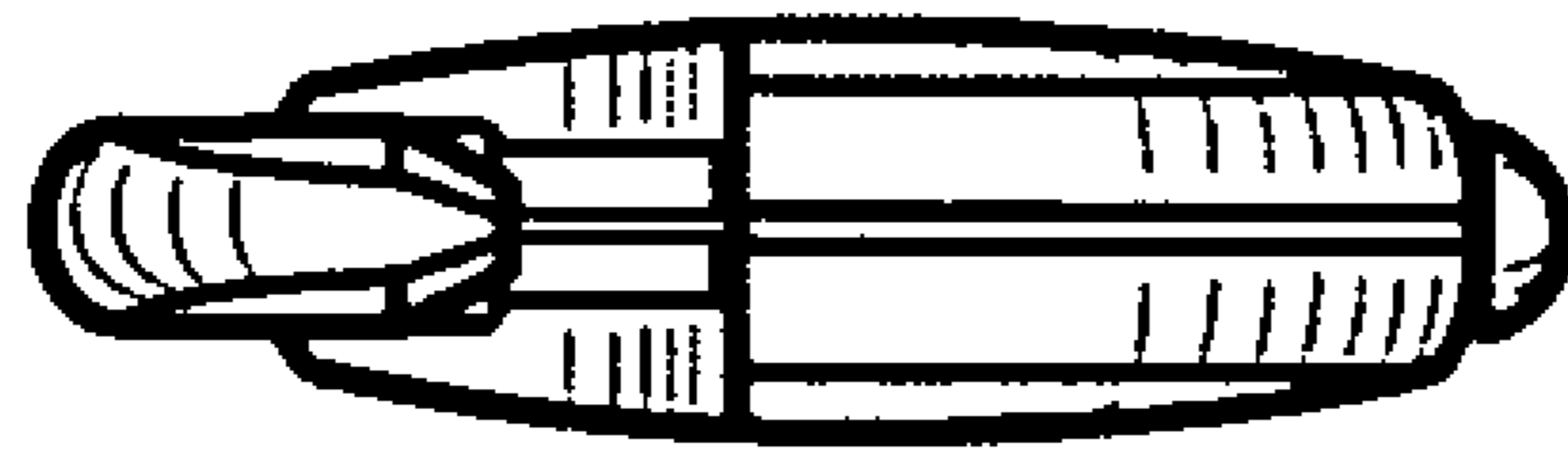


FIG. 9

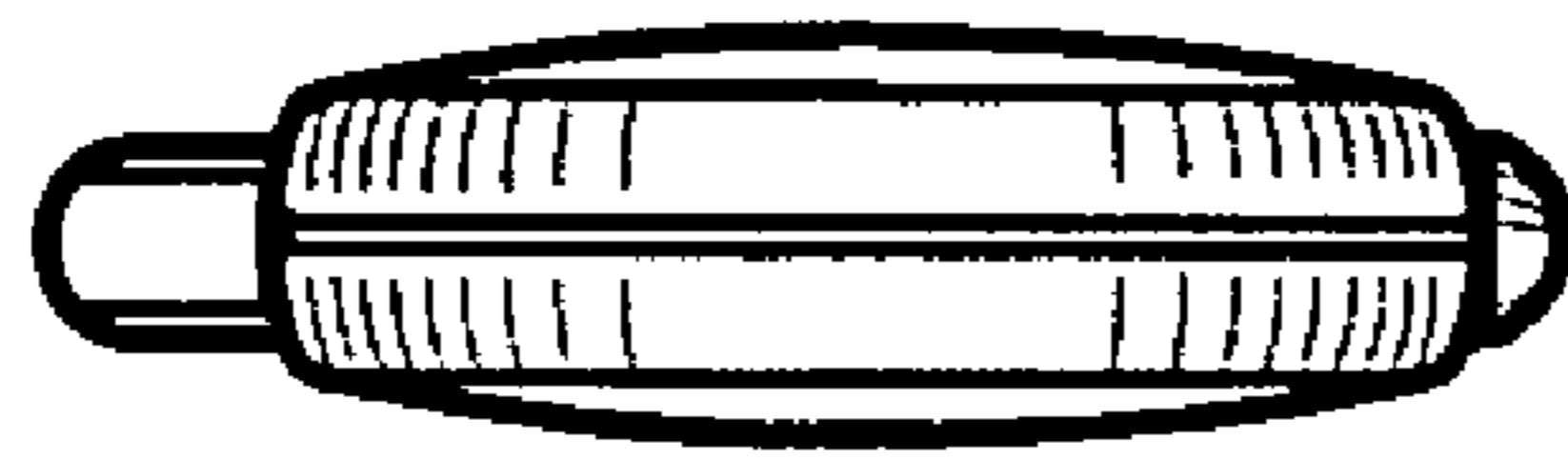


FIG. 10

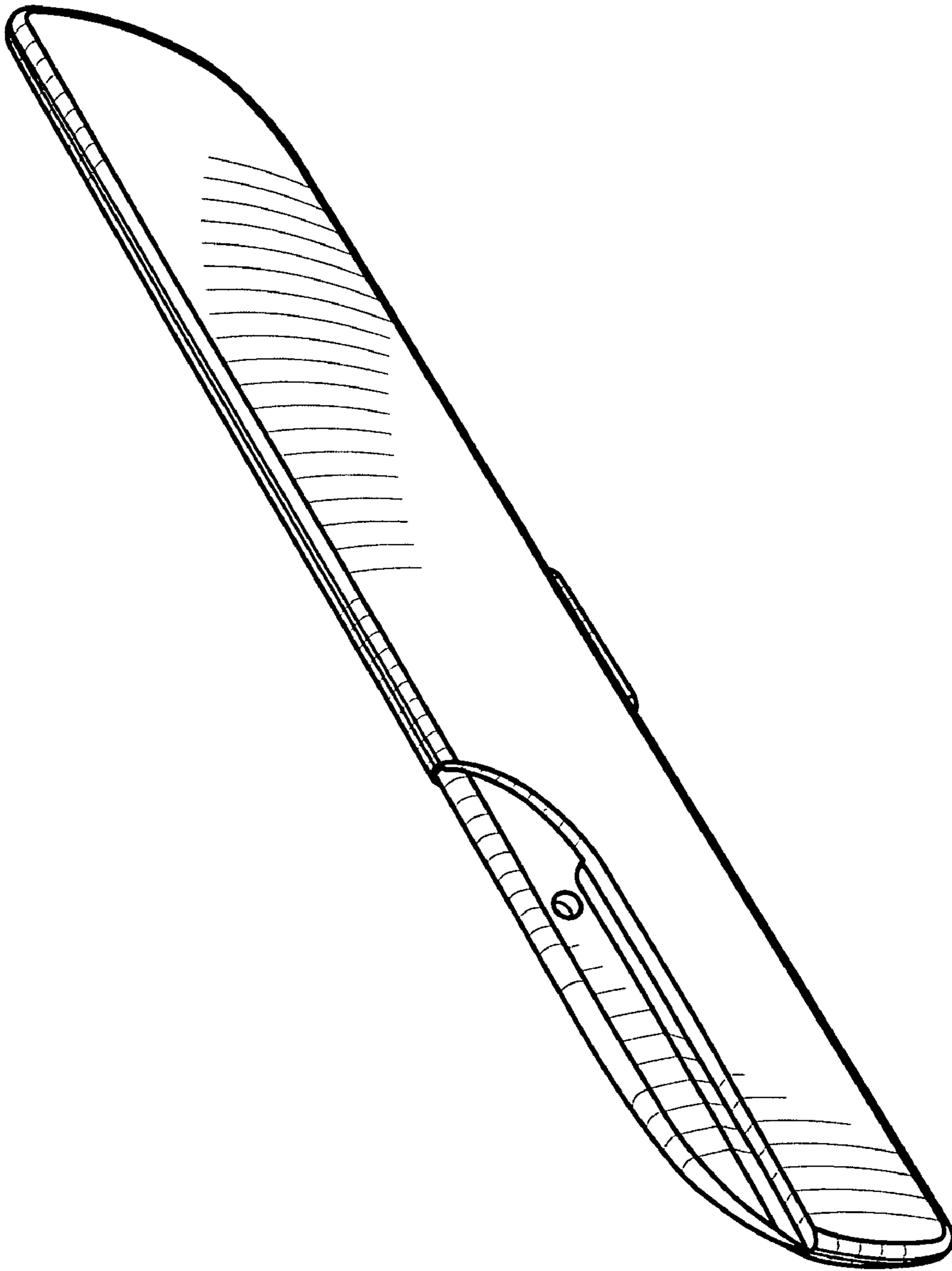


FIG. 11

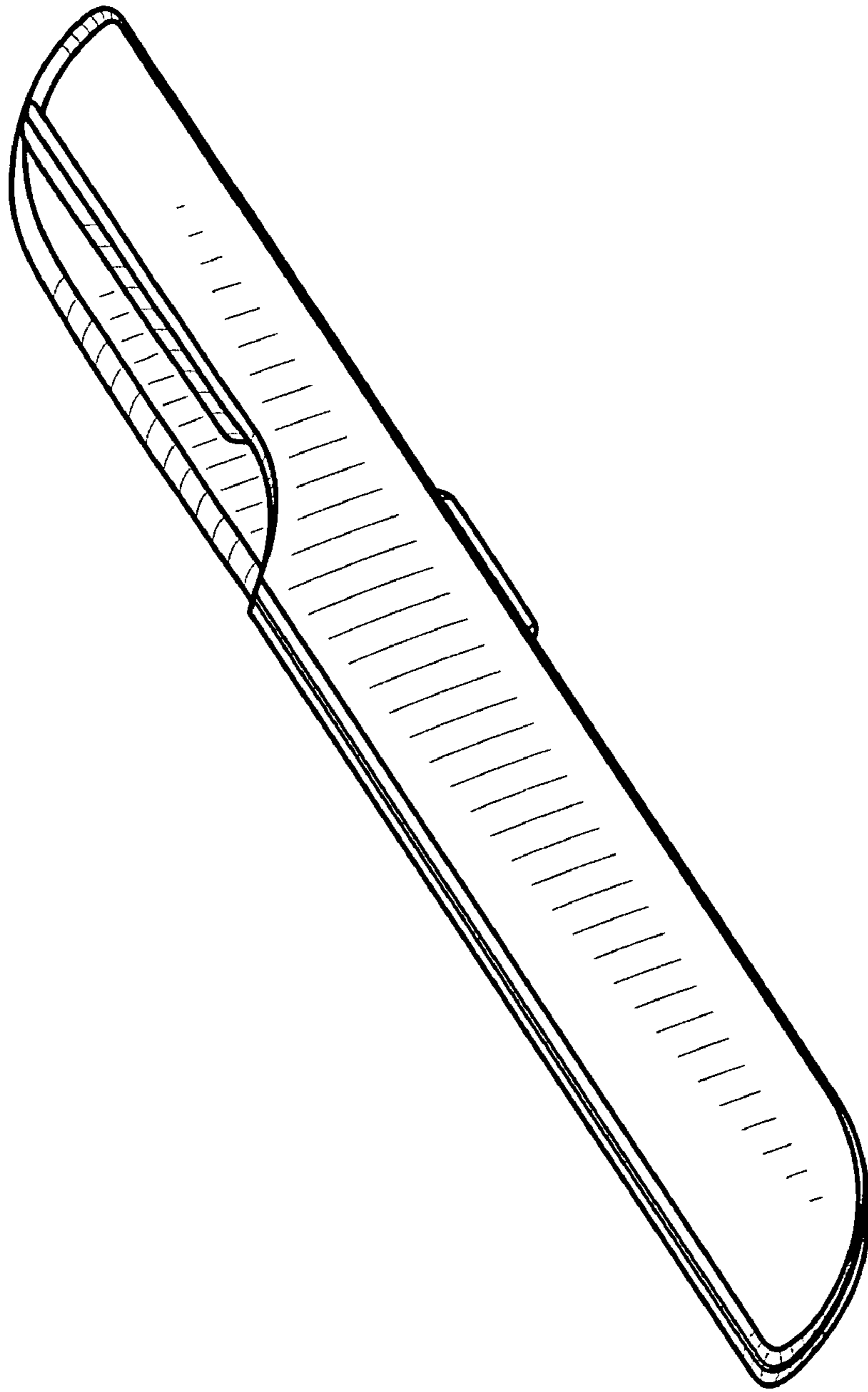


FIG. 12

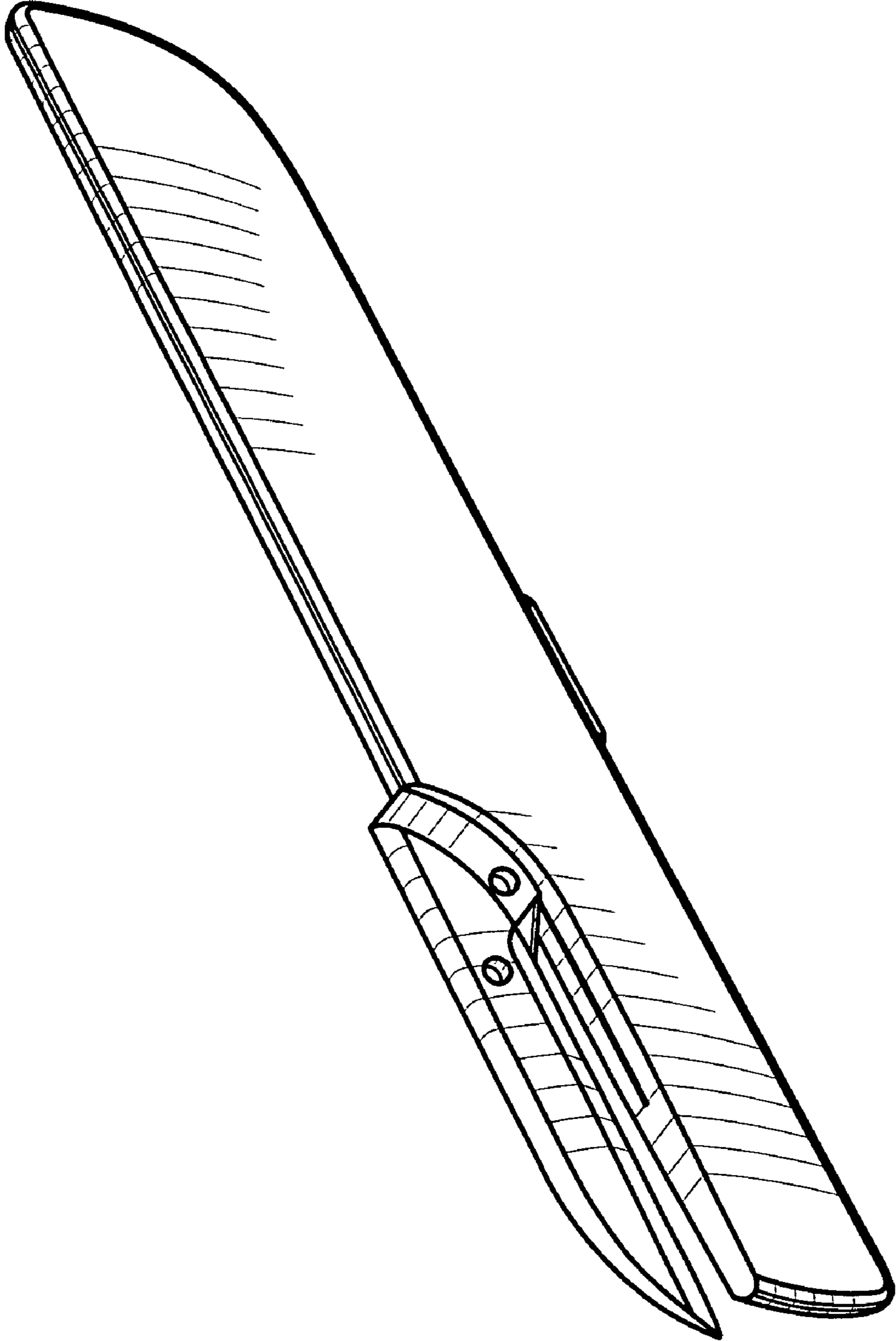


FIG. 13

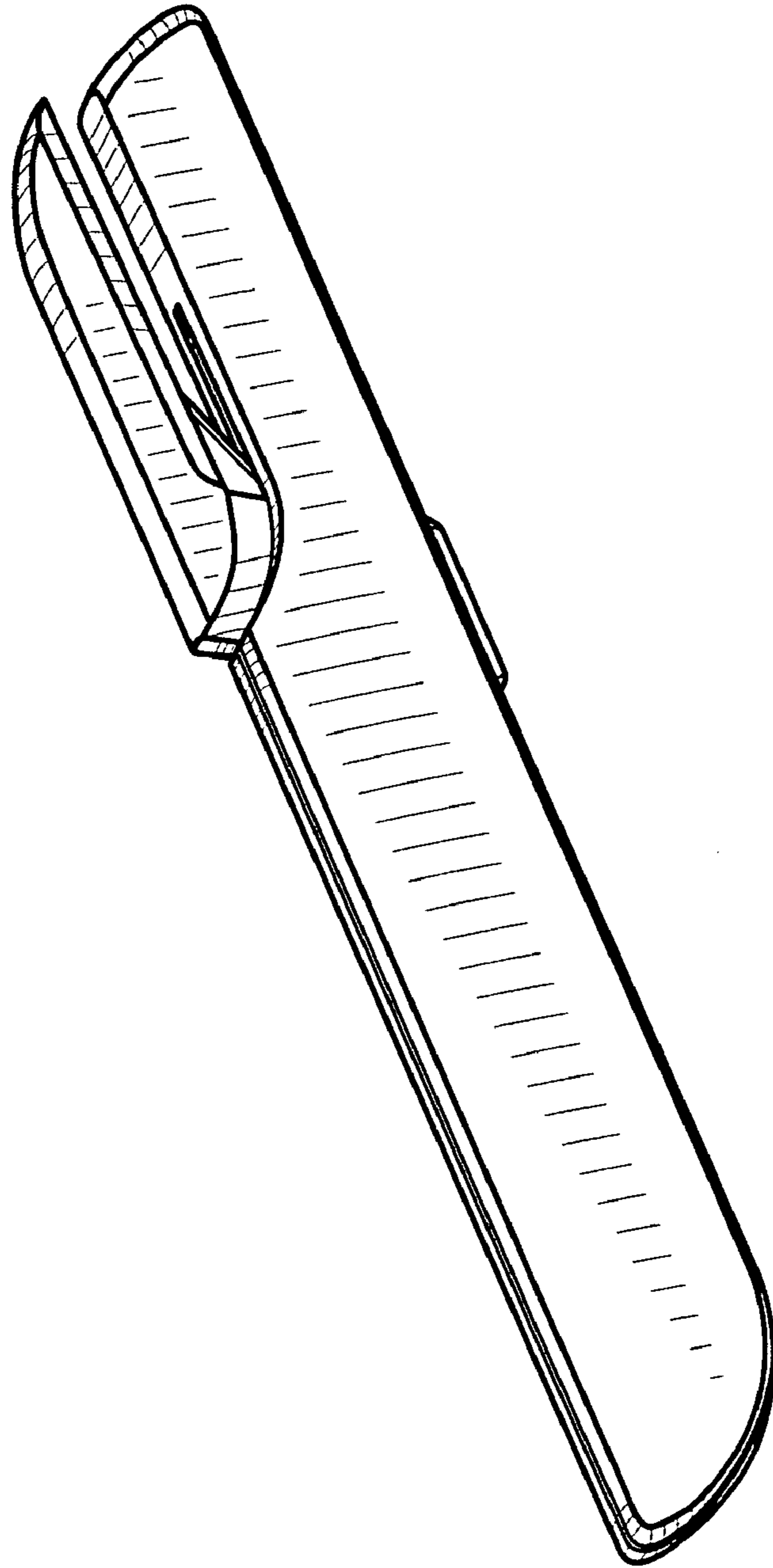


FIG. 14