



US00D576855S

(12) **United States Design Patent**  
**Okamoto et al.**

(10) **Patent No.:** **US D576,855 S**  
(45) **Date of Patent:** **\*\* Sep. 16, 2008**

(54) **POLISHING PAD**

5,921,855 A 7/1999 Osterheld et al.

(75) Inventors: **Takahiro Okamoto**, Tokyo (JP);  
**Hiroshi Shiho**, Tokyo (JP)

(Continued)

(73) Assignee: **JSR Corporation**, Tokyo (JP)

FOREIGN PATENT DOCUMENTS

(\*\*) Term: **14 Years**

JP 1155897 8/2002

(21) Appl. No.: **29/295,220**

(Continued)

(22) Filed: **Sep. 24, 2007**

OTHER PUBLICATIONS

**Related U.S. Application Data**

U.S. Appl. No. 29/213,405, filed Sep. 17, 2004, Okamoto, et al.

(62) Division of application No. 29/213,407, filed on Sep. 17, 2004, now Pat. No. Des. 559,064.

(Continued)

(30) **Foreign Application Priority Data**

*Primary Examiner*—T. Chase Nelson  
(74) *Attorney, Agent, or Firm*—Oblon, Spivak, McClelland, Maier & Neustadt, P.C.

Mar. 17, 2004 (JP) ..... 2004-8161  
Mar. 17, 2004 (JP) ..... 2004-8162

(57) **CLAIM**

(51) **LOC (8) Cl.** ..... **08-05**  
(52) **U.S. Cl.** ..... **D8/70**  
(58) **Field of Classification Search** ..... D8/61,  
D8/62, 63, 70; D15/124, 126, 138, 139,  
D15/140; 15/230; 83/835; 451/6, 60, 287,  
451/288, 359, 446, 526, 527, 533, 541, 548,  
451/550

The ornamental design for a polishing pad, as shown and described.

See application file for complete search history.

**DESCRIPTION**

(56) **References Cited**

FIG. 1 is a top plan view of a polishing pad, showing our new design;

U.S. PATENT DOCUMENTS

88,649 A 4/1869 Machamer  
494,471 A 3/1893 Gardner  
1,092,588 A 4/1914 Monkiawicz  
1,569,403 A 1/1926 Slye  
3,046,708 A 7/1962 Prunier  
5,007,207 A 4/1991 Phaal  
5,131,190 A 7/1992 Gougouyan  
5,507,740 A 4/1996 O'Donnell, Jr.  
5,733,178 A 3/1998 Ohishi  
5,778,481 A 7/1998 Amsden et al.  
5,899,799 A 5/1999 Tjaden et al.

FIG. 2 is a front elevational view thereof, the left side elevational view, right side elevational view, and rear elevational views each being a mirror image of the front view shown;

FIG. 3 is a bottom plan view thereof;

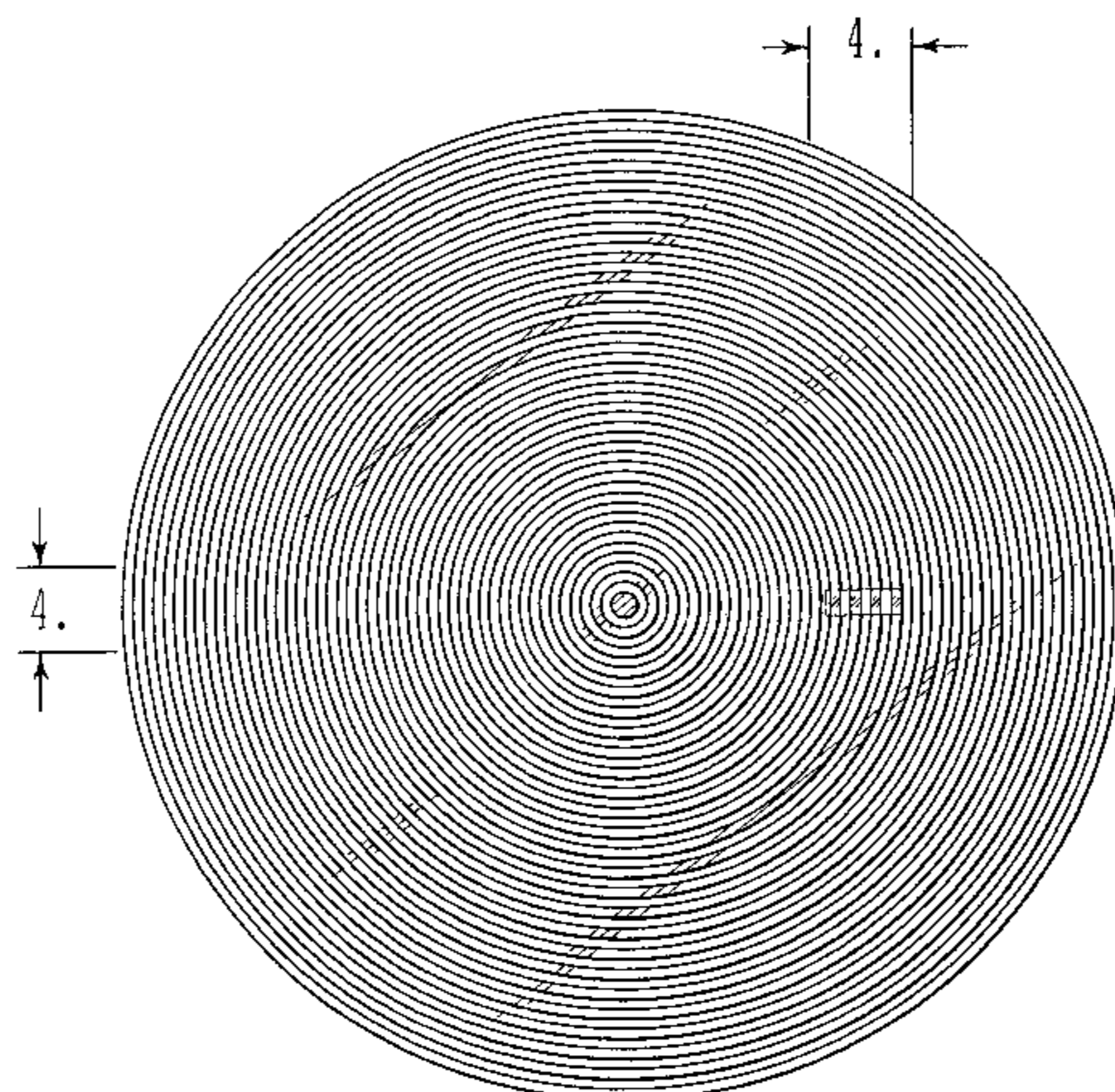
FIG. 4 is an enlarged, partial view thereof taken at coordinates 4—4 in FIG. 1;

FIG. 5 is a cross-sectional view thereof taken along line 5—5 in FIG. 4;

FIG. 6 is an enlarged, partial cross-sectional view taken along part 6 of FIG. 5; and,

FIG. 7 is an enlarged, partial cross-sectional view taken along part 7 in FIG. 6.

**1 Claim, 4 Drawing Sheets**



# US D576,855 S

Page 2

## U.S. PATENT DOCUMENTS

5,984,769	A	11/1999	Bennett et al.	
6,066,266	A	5/2000	Osugi et al.	
6,217,426	B1	4/2001	Tolles et al.	
6,248,000	B1	6/2001	Aiyer	
6,267,643	B1	7/2001	Teng et al.	
6,273,806	B1	8/2001	Bennett et al.	
6,332,830	B1	12/2001	Okamura et al.	
6,375,550	B1	4/2002	Berman	
6,387,312	B1	5/2002	Roberts et al.	
6,402,594	B1	6/2002	Kobayashi et al.	
6,443,810	B1	9/2002	Shih	
6,517,417	B2	2/2003	Budinger et al.	
6,520,847	B2	2/2003	Osterheld et al.	
6,544,111	B1	4/2003	Kimura et al.	
6,544,373	B2	4/2003	Chen et al.	
6,561,890	B2	5/2003	Tominaga	
6,645,061	B1	11/2003	Bennett et al.	
6,659,850	B2	12/2003	Korvin et al.	
6,685,548	B2	2/2004	Chen et al.	
6,699,115	B2	3/2004	Osterheld et al.	
6,702,651	B2	3/2004	Tolles	
6,749,486	B2	6/2004	Shibuki	
6,824,447	B2	11/2004	Takahashi et al.	
6,824,455	B2	11/2004	Osterheld et al.	
6,875,096	B2	4/2005	Park et al.	
6,899,607	B2	5/2005	Brown	
6,899,611	B2	5/2005	Reinhardt et al.	
D510,850	S	10/2005	Boler, Jr.	
6,951,510	B1	10/2005	Rodriguez et al.	
6,960,123	B2	11/2005	Mitarai	
6,994,607	B2 *	2/2006	Wiswesser	451/5
6,997,777	B2 *	2/2006	Newell	451/6
7,029,747	B2	4/2006	Huh et al.	
7,059,937	B2	6/2006	Brown	
7,070,480	B2	7/2006	Moon et al.	
7,112,119	B1	9/2006	Swedek et al.	
7,121,938	B2 *	10/2006	Suzuki	451/527
7,204,742	B2 *	4/2007	Prasad	451/527

7,229,337	B2 *	6/2007	Lim et al.	451/287
7,258,602	B2 *	8/2007	Shih et al.	451/6
7,264,536	B2 *	9/2007	Wiswesser et al.	451/6
2001/0031610	A1	10/2001	Budinger et al.	
2002/0137450	A1	9/2002	Osterheld et al.	
2002/0173231	A1	11/2002	Hasegawa	
2003/0068964	A1	4/2003	Akagami et al.	
2003/0092371	A1	5/2003	Osterheld et al.	
2003/0194962	A1	10/2003	Weber	
2003/0199234	A1	10/2003	Chen et al.	
2003/0207651	A1	11/2003	Kim et al.	
2004/0014413	A1	1/2004	Kawahashi et al.	
2004/0053570	A1	3/2004	Naujok	
2004/0058630	A1	3/2004	Park et al.	
2004/0072516	A1	4/2004	Osterheld et al.	
2004/0082271	A1	4/2004	Wiswesser et al.	
2004/0082287	A1 *	4/2004	Wright et al.	451/490
2004/0102144	A1	5/2004	Brown	
2004/0127145	A1	7/2004	Takahashi et al.	
2004/0259476	A1	12/2004	Korovin et al.	
2005/0113011	A1	5/2005	Miyauchi et al.	
2005/0211376	A1 *	9/2005	Prasad	156/345.12
2005/0245171	A1	11/2005	Hosaka et al.	
2006/0063471	A1	3/2006	Muldowney	
2006/0194530	A1	8/2006	Thomson et al.	
2006/0199473	A1	9/2006	Suzuki et al.	
2007/0032182	A1 *	2/2007	Suzuki	451/527
2007/0042682	A1 *	2/2007	Saikin	451/6
2007/0049167	A1 *	3/2007	Swedek et al.	451/527
2007/0197134	A1 *	8/2007	Menk et al.	451/6
2007/0212979	A1 *	9/2007	Preston	451/6

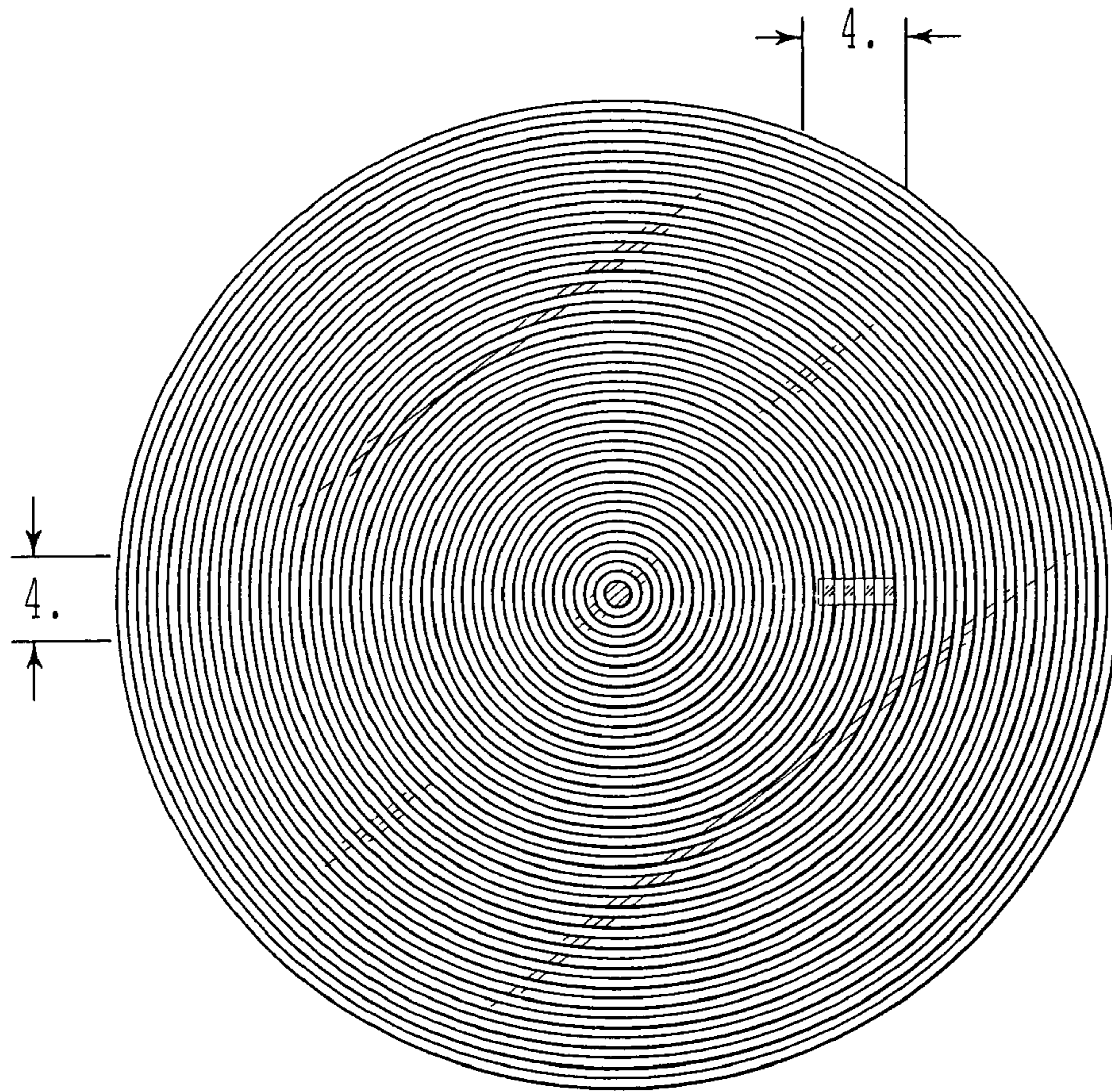
## FOREIGN PATENT DOCUMENTS

JP 1155898 8/2002

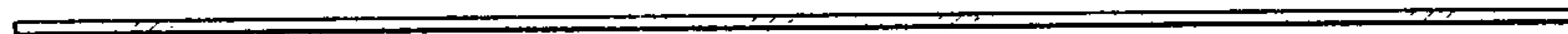
## OTHER PUBLICATIONS

U.S. Appl. No. 29/296,712, filed Oct. 26, 2007, Okamoto, et al.

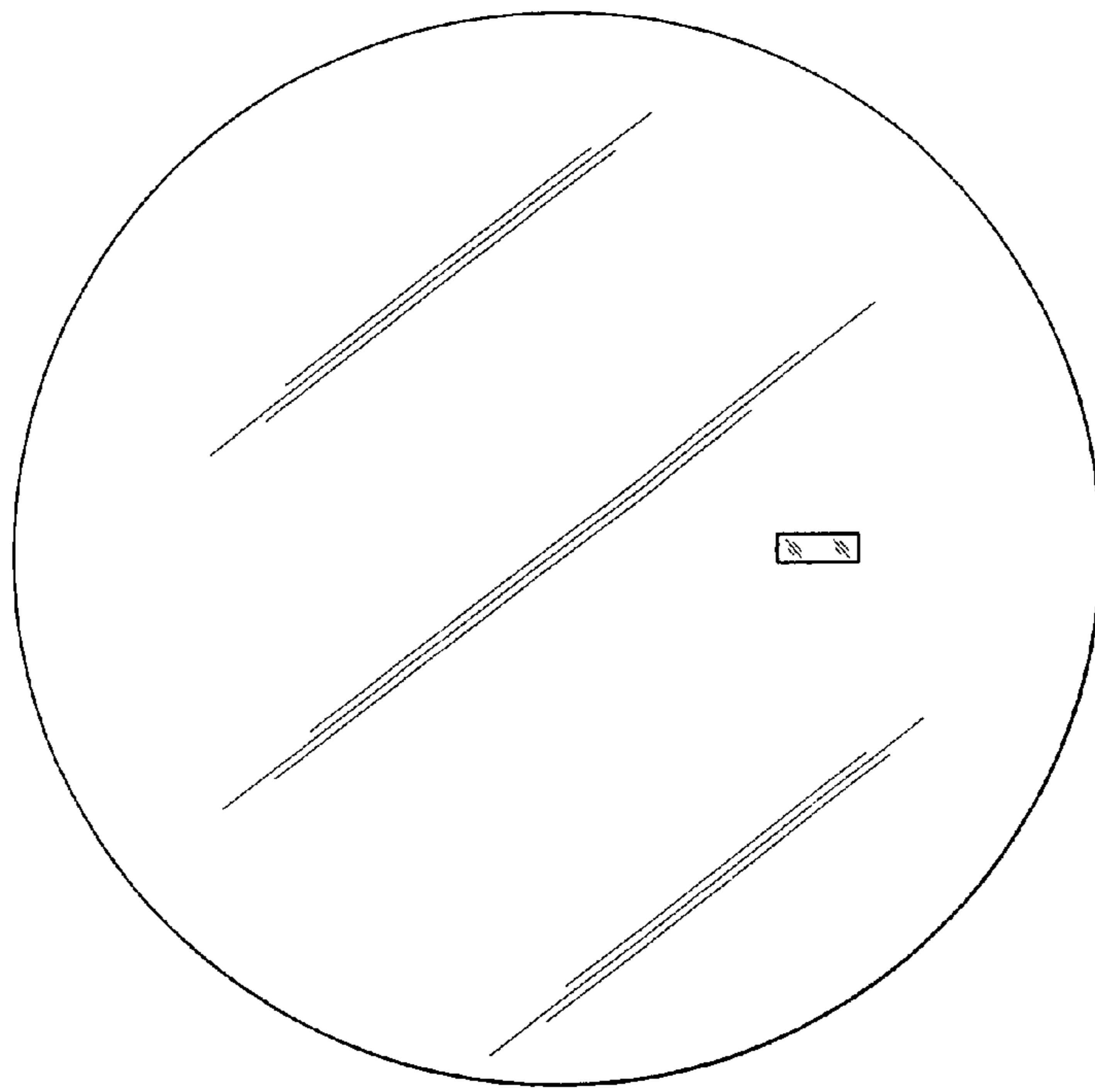
\* cited by examiner



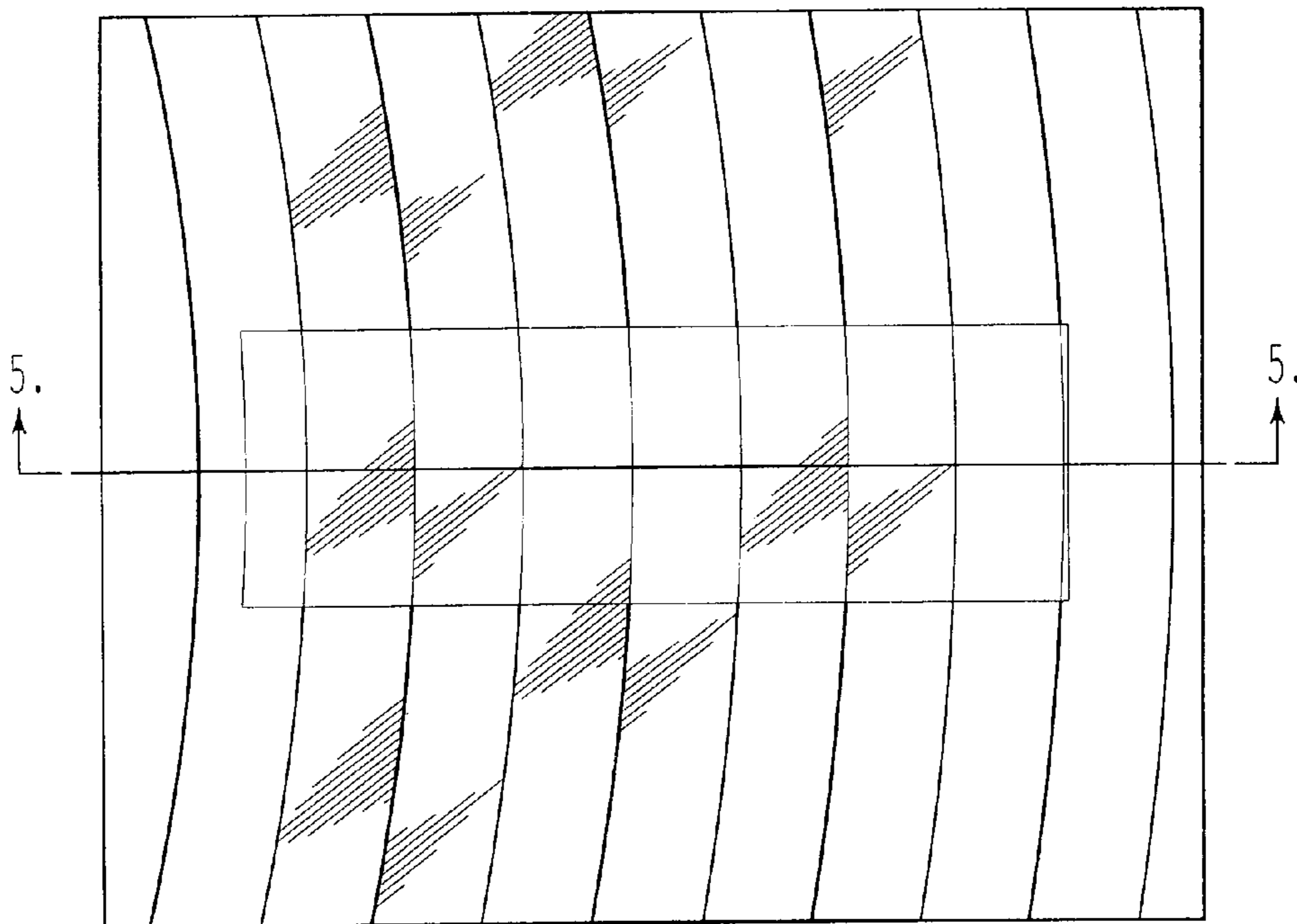
*Fig. 1*



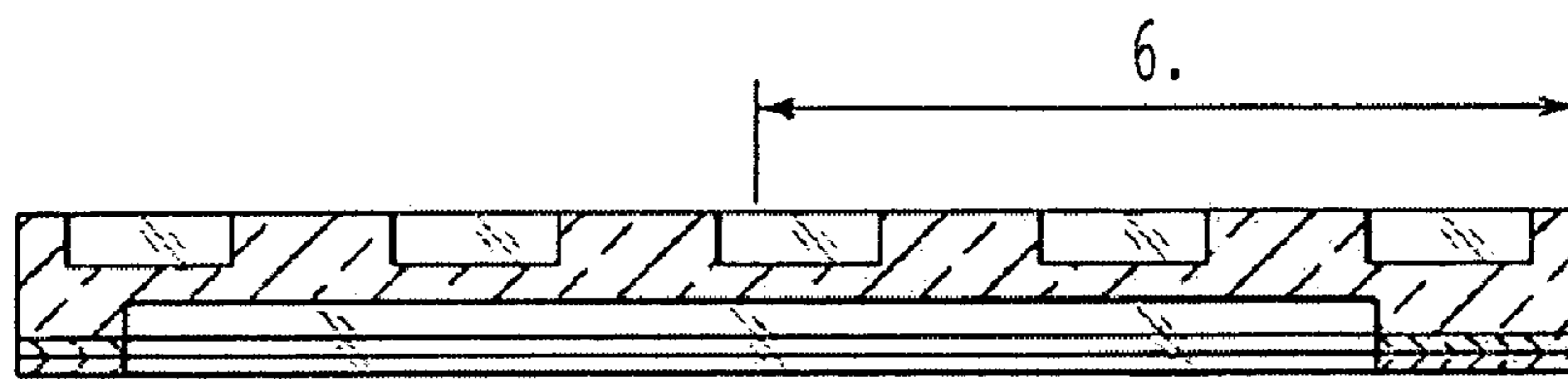
*Fig. 2*



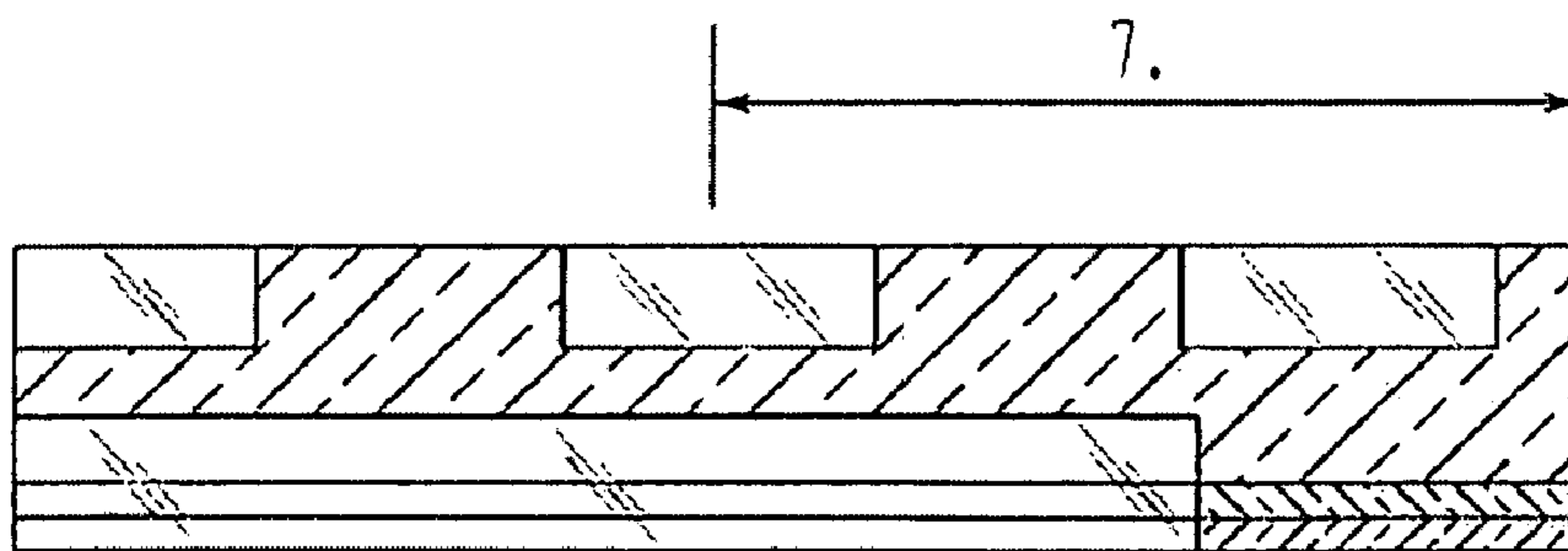
*Fig. 3*



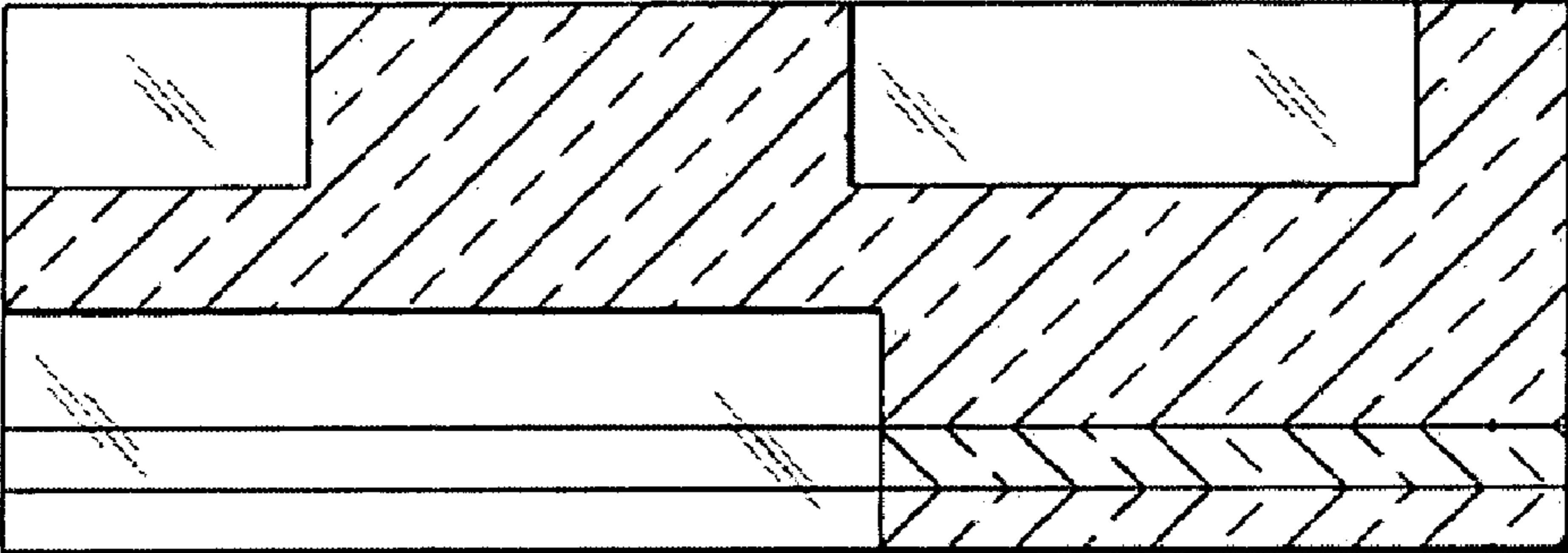
*Fig. 4*



*FIG. 5*



*FIG. 6*



*FIG. 7*