



US00D576854S

(12) **United States Design Patent**
Aglassinger

(10) **Patent No.:** **US D576,854 S**

(45) **Date of Patent:** **** Sep. 16, 2008**

(54) **ROTARY TOOL**

(75) Inventor: **Hans-Peter Aglassinger**, Esslingen (DE)

(73) Assignee: **Robert Bosch GmbH**, Stuttgart (DE)

(**) Term: **14 Years**

(21) Appl. No.: **29/295,074**

(22) Filed: **Sep. 21, 2007**

(30) **Foreign Application Priority Data**

Mar. 28, 2007 (EM) 000697727

(51) **LOC (8) Cl.** **08-05**

(52) **U.S. Cl.** **D8/68**

(58) **Field of Classification Search** D8/14.1,
D8/61, 62, 63, 64, 65, 66, 67, 68, 69, 70;
81/57.11, 429, 454, 455, 456, 469, 489; 173/13,
173/104, 114, 168, 169, 170, 171, 178, 201,
173/211, 213, 217; 408/20, 124, 125, 234,
408/241 R; 451/358; 310/50; 227/8, 113,
227/114, 120, 130, 136, 142

See application file for complete search history.

(56) **References Cited**

U.S. PATENT DOCUMENTS

D502,854 S * 3/2005 Ng D8/68
D513,160 S * 12/2005 DeBoer et al. D8/68
D516,889 S * 3/2006 Aglassinger D8/68
D524,133 S * 7/2006 Wu D8/68
D524,625 S * 7/2006 Wu D8/68

D527,236 S * 8/2006 Wu D8/68
D527,600 S * 9/2006 Stratford D8/68
D531,872 S * 11/2006 Aglassinger D8/68
D532,666 S * 11/2006 Chi D8/68
7,134,364 B2 * 11/2006 Kageler et al. 173/217
D536,943 S * 2/2007 Tsai et al. D8/68
7,197,961 B2 * 4/2007 Kageler et al. 173/217
D541,611 S * 5/2007 Aglassinger D8/68
D547,154 S * 7/2007 Lee D8/68
D550,052 S * 9/2007 Lee D8/68
D560,990 S * 2/2008 Aglassinger D8/68
2007/0046110 A1 * 3/2007 Liu 310/50

* cited by examiner

Primary Examiner—T. Chase Nelson

(74) *Attorney, Agent, or Firm*—Victor A. Henzi

(57) **CLAIM**

The ornamental design for the rotary tool, as shown and described.

DESCRIPTION

FIG. 1 is a front left perspective view of the rotary tool;

FIG. 2 is a left elevational view thereof;

FIG. 3 is a right elevational view thereof;

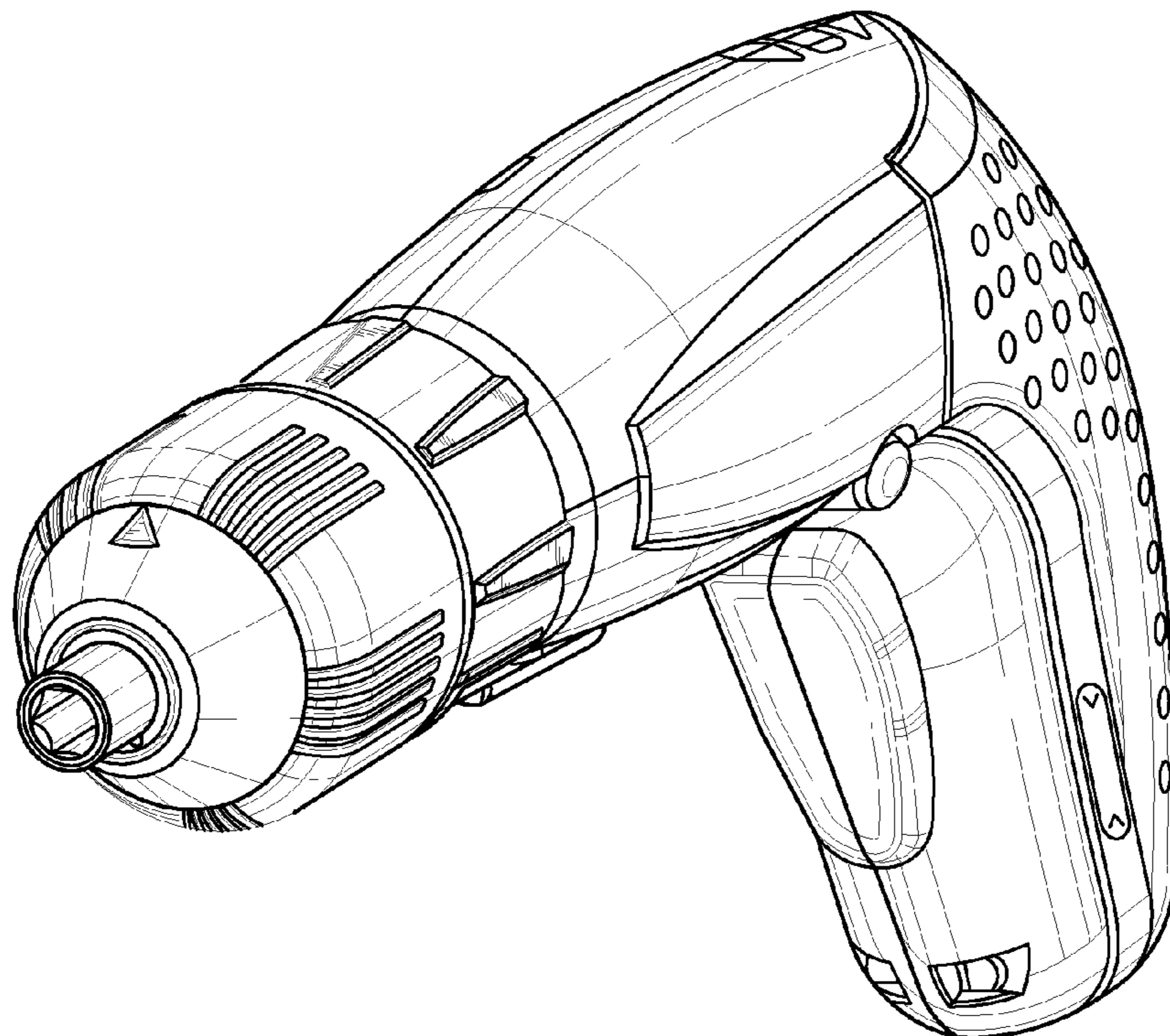
FIG. 4 is a top plan view thereof;

FIG. 5 is a bottom plan view thereof;

FIG. 6 is a rear elevational view thereof; and,

FIG. 7 is a front elevational view thereof.

1 Claim, 4 Drawing Sheets



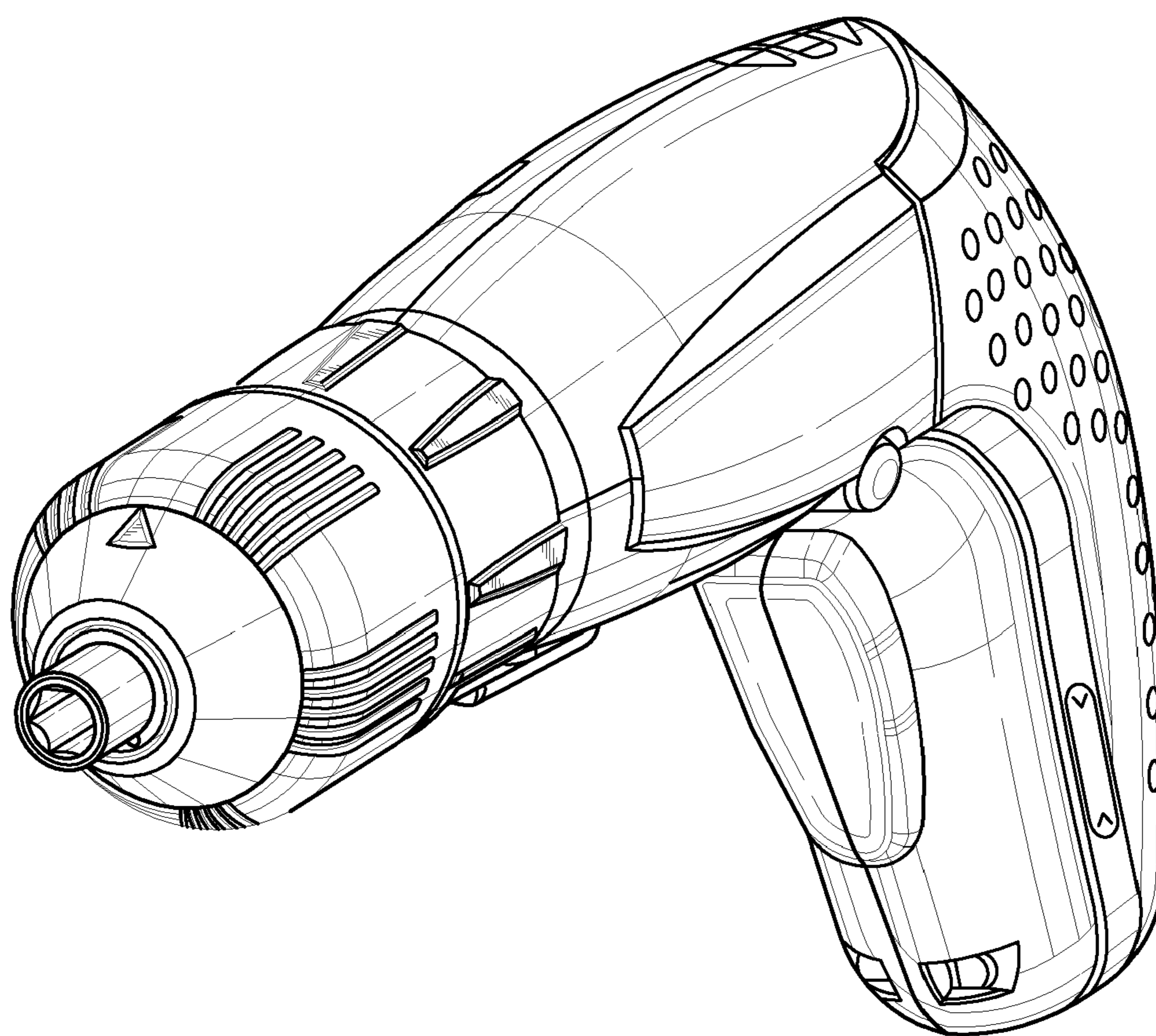


Fig. 1

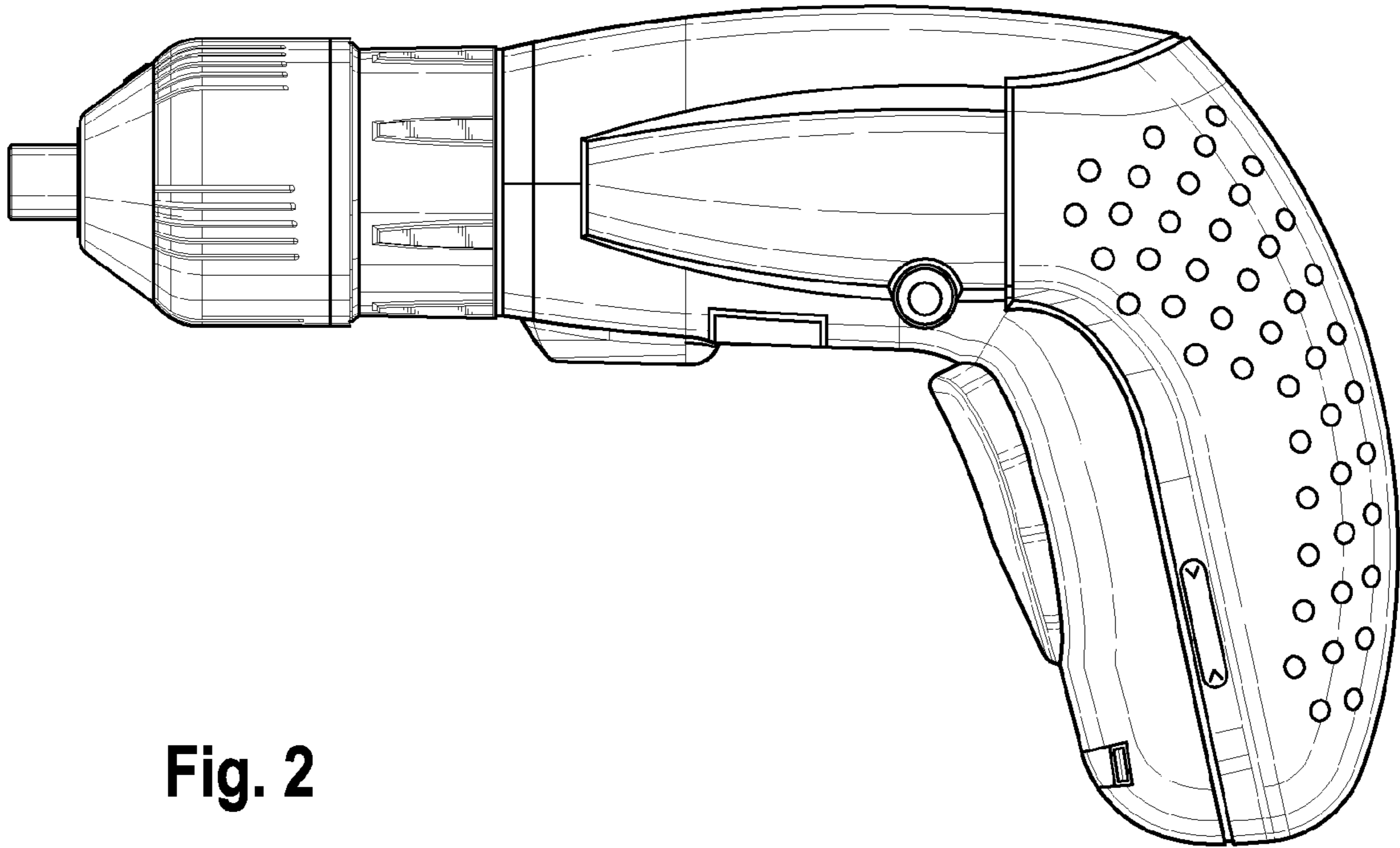


Fig. 2

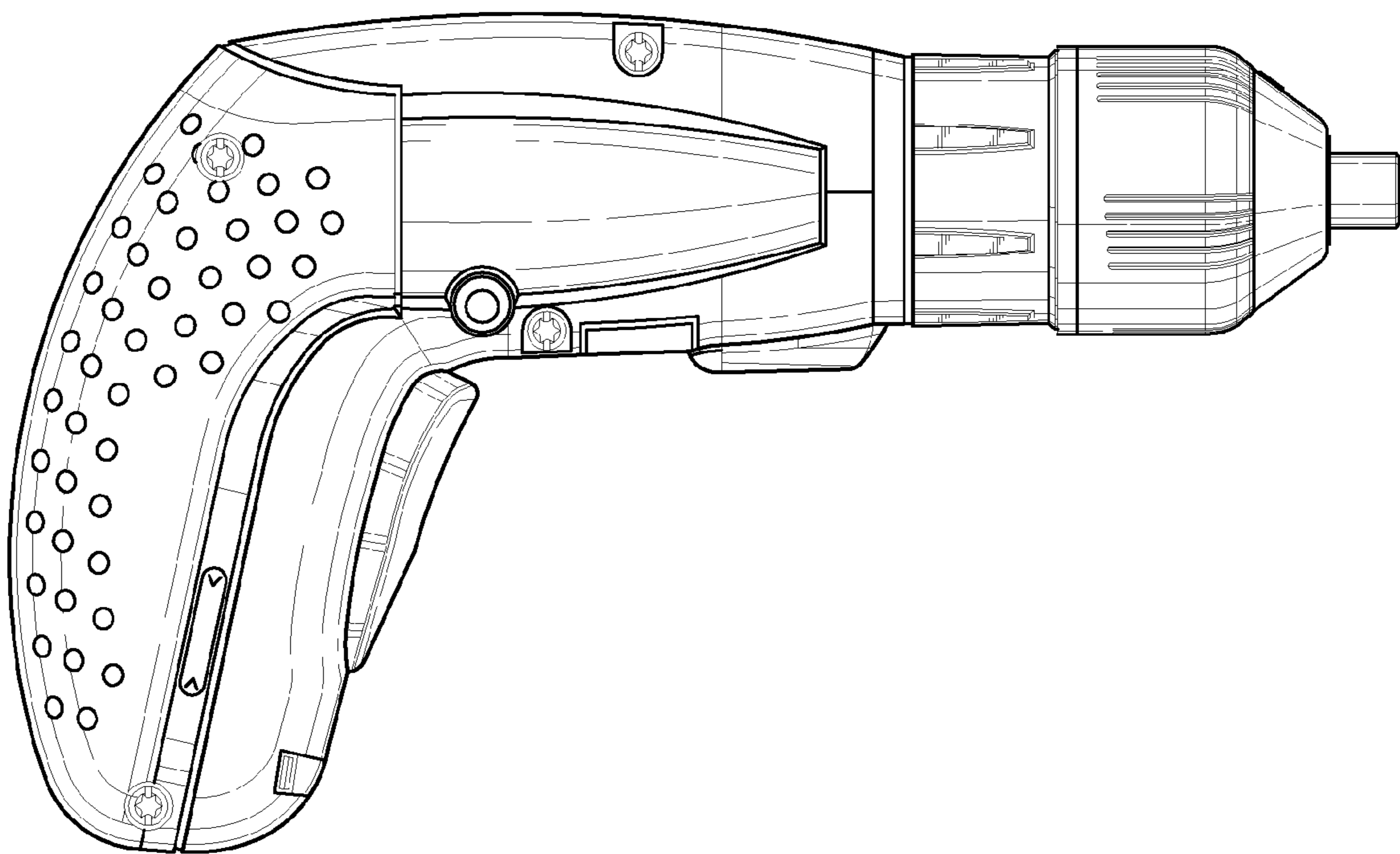


Fig. 3

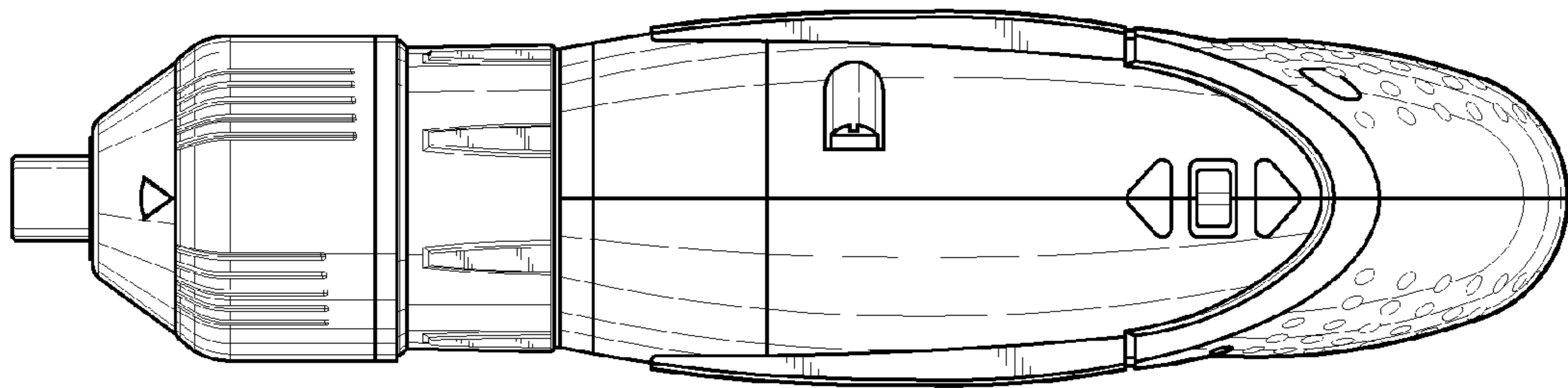


Fig. 4

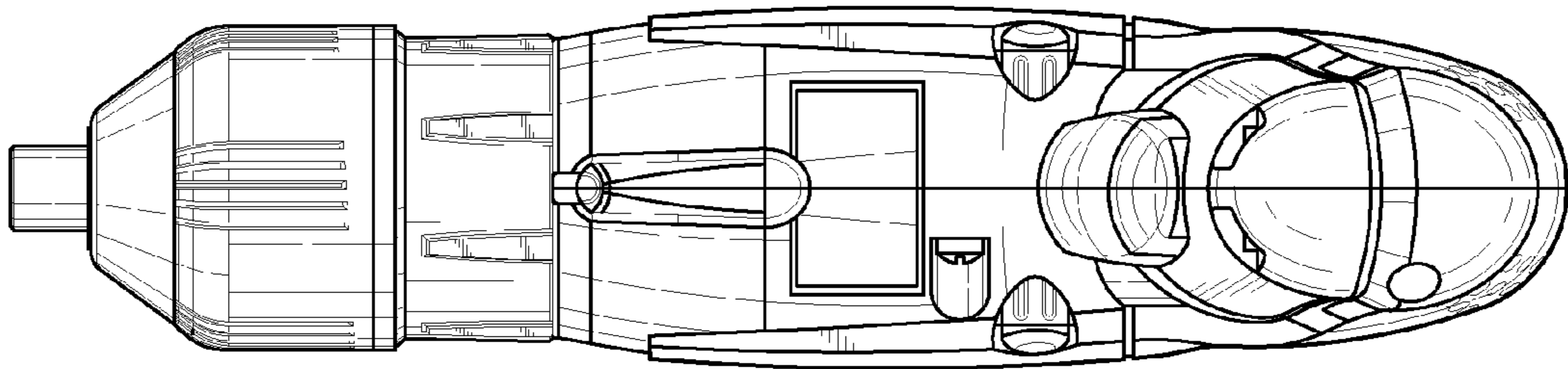


Fig. 5

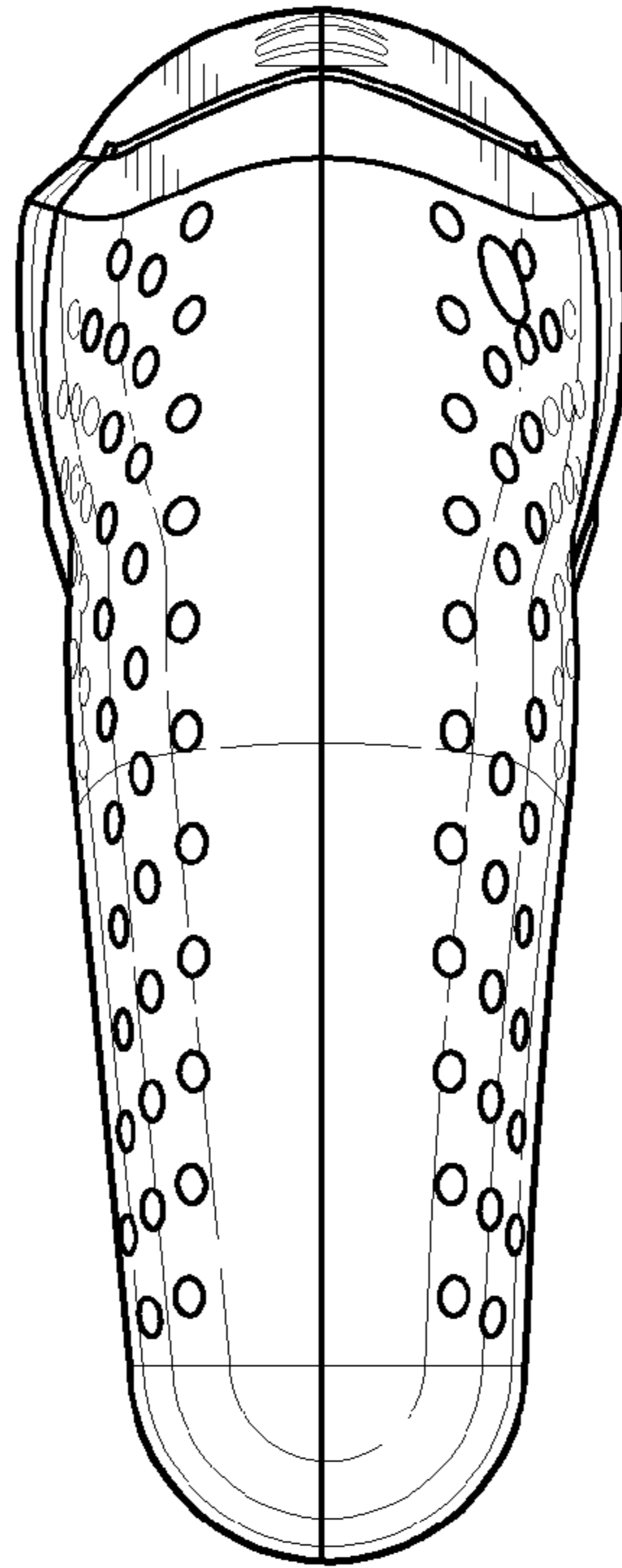


Fig. 6

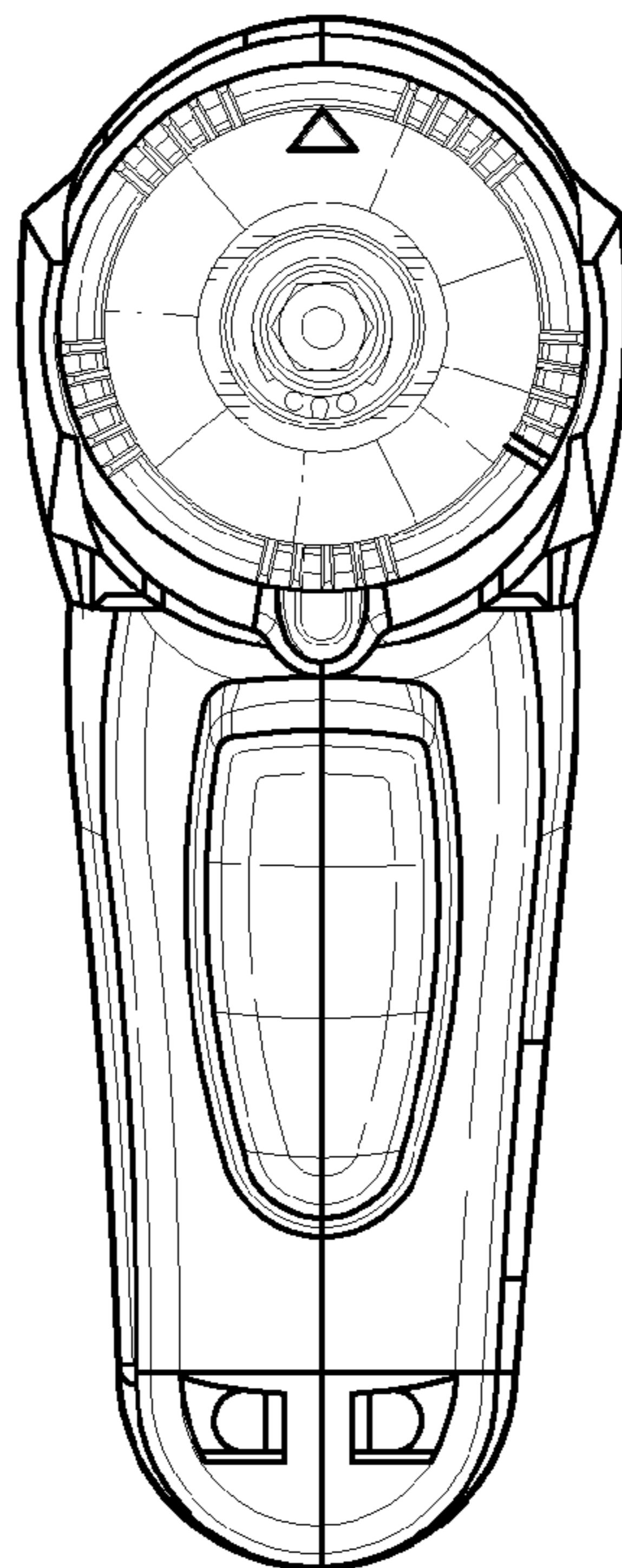


Fig. 7