



US00D576851S

(12) **United States Design Patent**
Zeyfang

(10) **Patent No.:** **US D576,851 S**
(45) **Date of Patent:** **** Sep. 16, 2008**

(54) **GAS VALVE WRENCH**
(75) Inventor: **Frederick W. Zeyfang**, Erie, PA (US)
(73) Assignee: **Protective Industries, Inc.**, Buffalo, NY (US)
(**) Term: **14 Years**
(21) Appl. No.: **29/300,252**
(22) Filed: **Mar. 5, 2008**
(51) **LOC (8) Cl.** **08-05**
(52) **U.S. Cl.** **D8/21; D8/17**
(58) **Field of Classification Search** D8/17, D8/21-29, 81-87, 102-107, 98, 99, 55, 93, D8/94; 81/60, 119, 121.1, 120, 124.4, 124.7, 81/125, 177.85, 436, 177.6, 186, 58-63.2, 81/3.09, 486, 158, 177.1, 122, 53.2, 441, 81/177.8, 177.9, 185.1, 3.4, 177.4, 492, 13, 81/177.7, 166-170, 490, 124.3, 81, 87, 98, 81/99, 55, 93, 94, 165, 489, 3.35, 58.3, 3.45, 81/155, 110.1, 102-107, 3.345, 176.2, 124.6, 81/176.1, 176.15, 177.2; 206/378; 16/429, 16/441, 124.6, 110.1; 7/100, 138, 168, 157; D24/126; D7/395, 177.1, 436, 489; D15/144.1; 219/75, 227, 229, 121.16, 121.18
See application file for complete search history.

3,929,042 A 12/1975 Blocker
D274,973 S 8/1984 Waller et al.
D275,443 S 9/1984 Snaper
D282,046 S 1/1986 Dumond et al.
D292,477 S 10/1987 Shyi-Kuan et al.
D301,010 S 5/1989 Renna
4,871,144 A 10/1989 Kaniaris
D353,755 S * 12/1994 Lane D8/17
D356,240 S * 3/1995 Meldahl D8/105
D387,640 S 12/1997 Von Fange
D410,178 S 5/1999 Clayson et al.
D420,265 S * 2/2000 Pierce D8/40
6,098,503 A * 8/2000 Hlinka 81/124.3
D434,622 S * 12/2000 Jaynes D8/17
D438,437 S 3/2001 Halstead
D454,037 S * 3/2002 Briscoe D8/38
D472,777 S 4/2003 Halstead
6,851,337 B2 * 2/2005 Stokes 81/124.7
7,143,491 B2 12/2006 Wood
D546,649 S * 7/2007 Jennings D8/21

* cited by examiner

Primary Examiner—Raphael Barkai
Assistant Examiner—Randall H Gholson

(57) **CLAIM**

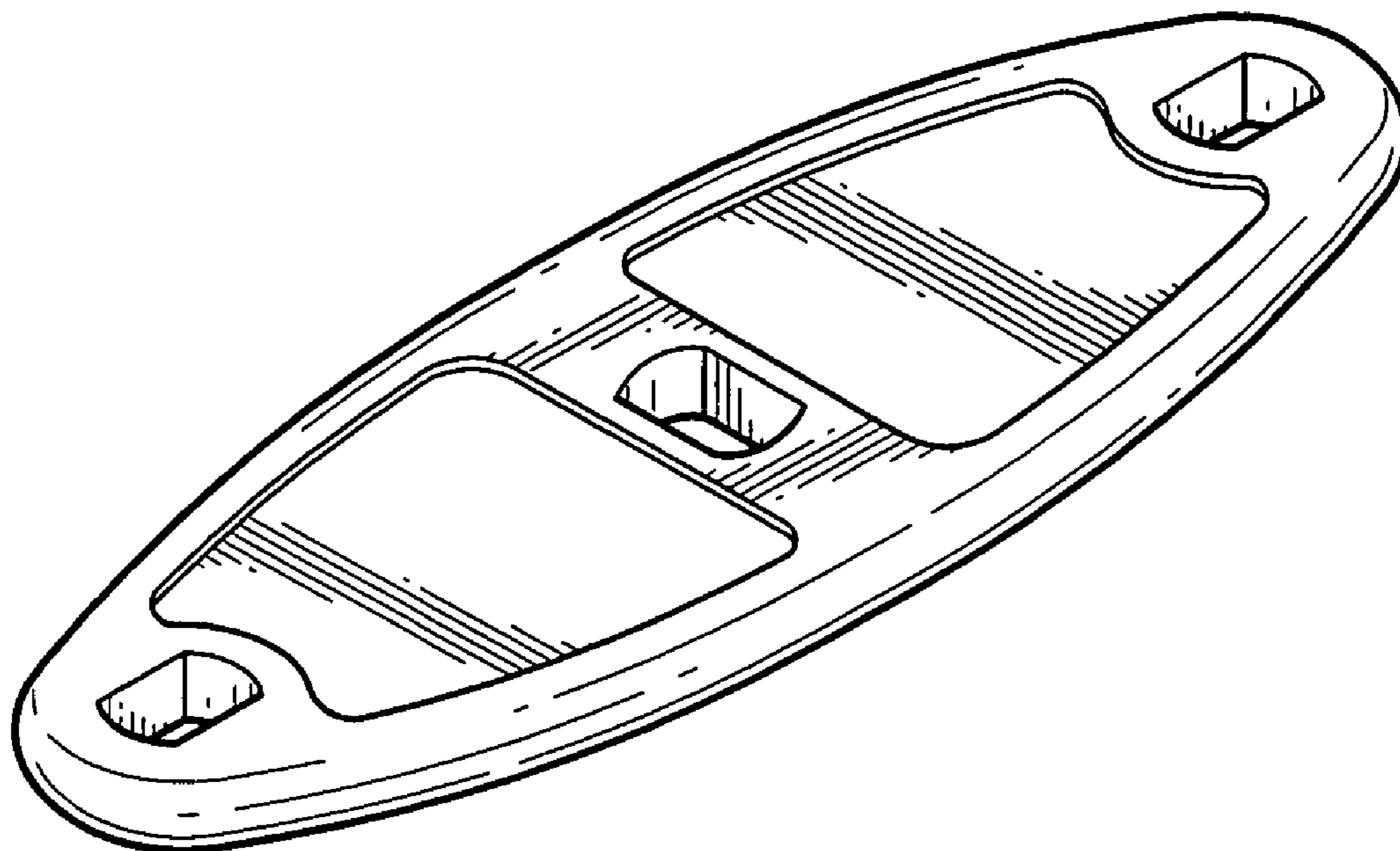
The ornamental design for a gas valve wrench, as shown and described.

DESCRIPTION

FIG. 1 is a perspective view of a gas valve wrench showing my new design; and,
FIG. 2 is a top view of the gas valve wrench, with the bottom view being identical.

1 Claim, 1 Drawing Sheet

(56) **References Cited**
U.S. PATENT DOCUMENTS
D130,756 S 12/1941 Howard
2,898,674 A * 8/1959 Anderson 29/278
3,745,860 A * 7/1973 Bennett 81/124.4



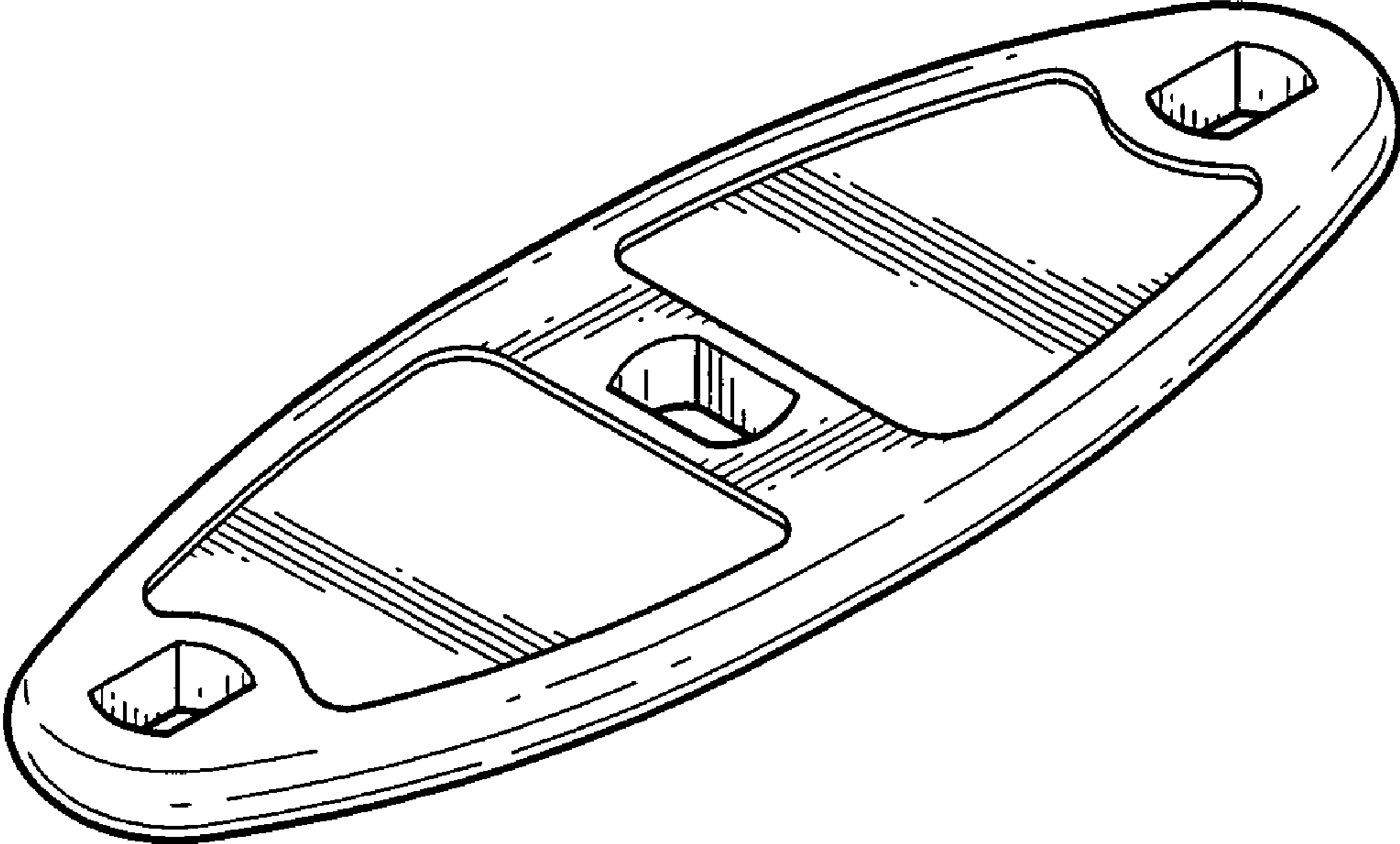


FIG. 1

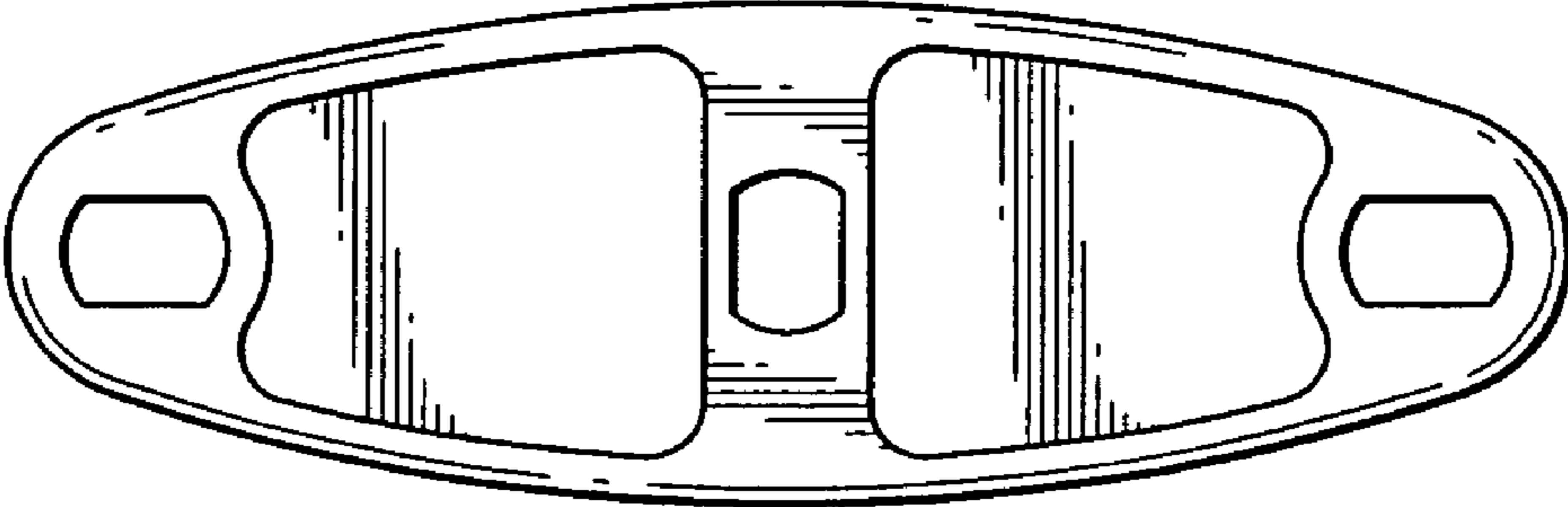


FIG. 2