

US00D576850S

(12) **United States Design Patent**
Lee et al.

(10) **Patent No.:** **US D576,850 S**
(45) **Date of Patent:** **** Sep. 16, 2008**

(54) **WINDING STICK**

(75) Inventors: **Robin C. Lee**, Nepean (CA); **Steven K. Jones**, Ottawa (CA)

(73) Assignee: **Lee Valley Tools, Ltd.**, Ottawa (CA)

(**) Term: **14 Years**

(21) Appl. No.: **29/243,286**

(22) Filed: **Nov. 22, 2005**

(51) **LOC (8) Cl.** **08-01**

(52) **U.S. Cl.** **D8/14**

(58) **Field of Classification Search** D8/14,
D8/354, 373, 489; D25/119-122

See application file for complete search history.

(56) **References Cited**

U.S. PATENT DOCUMENTS

D308,547 S *	6/1990	Kendes	D20/43
D353,277 S *	12/1994	Irvin	D6/410
D407,296 S *	3/1999	Nagato	D8/354
D443,198 S *	6/2001	Snyder	D8/354
D477,420 S *	7/2003	Butcher	D25/119
D491,050 S *	6/2004	Sprinkle	D8/373
D508,570 S *	8/2005	Bouic	D25/121
D526,887 S *	8/2006	Remmers et al.	D8/373
D531,488 S *	11/2006	Munson et al.	D8/373

OTHER PUBLICATIONS

WoodCentral Articles Department; Excerpts from the Message Boards (admitted dated prior to Nov. 22, 2005).
Wikipedia, the free encyclopedia, "Winding Sticks", http://en.wikipedia.org/wiki/Winding_sticks.

Highland Hardware, "Winding Sticks", www.tools-for-woodworking.com.

"Boning Sticks", Knights American Mechanical Dictionary, New York, p.329, 1874.

Salaman, R.A., "Boning Strips", Dictionary of Woodworking Tools, Rev. ed., p. 89.

Sellens, Alvin, "Winding Sticks", Dictionary of American Hand Tools: A pictorial synopsis, p. 521-522.

* cited by examiner

Primary Examiner—Holly H. Baynham

Assistant Examiner—Sheryl Friedman

(74) *Attorney, Agent, or Firm*—Kilpatrick Stockton LLP; John S. Pratt; Camilla C. Williams

(57) **CLAIM**

The ornamental design for a winding stick, as shown and described.

DESCRIPTION

FIG. 1 is a front perspective view of a winding stick of this invention.

FIG. 2 is a top plan view of the winding stick of FIG. 1.

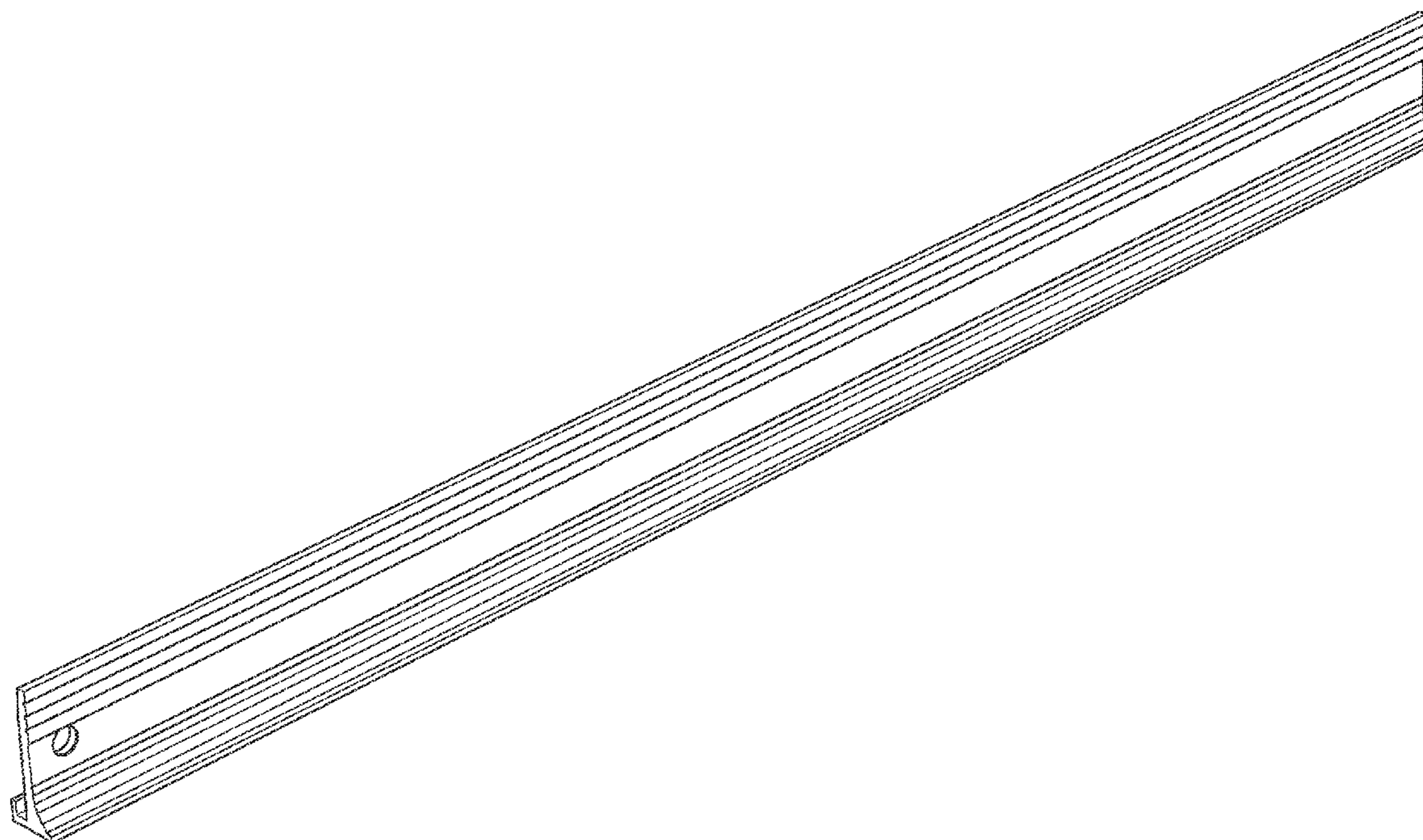
FIG. 3 is a right side elevation view of the winding stick of FIG. 1.

FIG. 4 is a bottom plan view of the winding stick of FIG. 1.

FIG. 5 is a left side elevation view of the winding stick of FIG. 1; and,

FIG. 6 is an end view of the winding stick of FIG. 1, the other end of which is a mirror image.

1 Claim, 3 Drawing Sheets



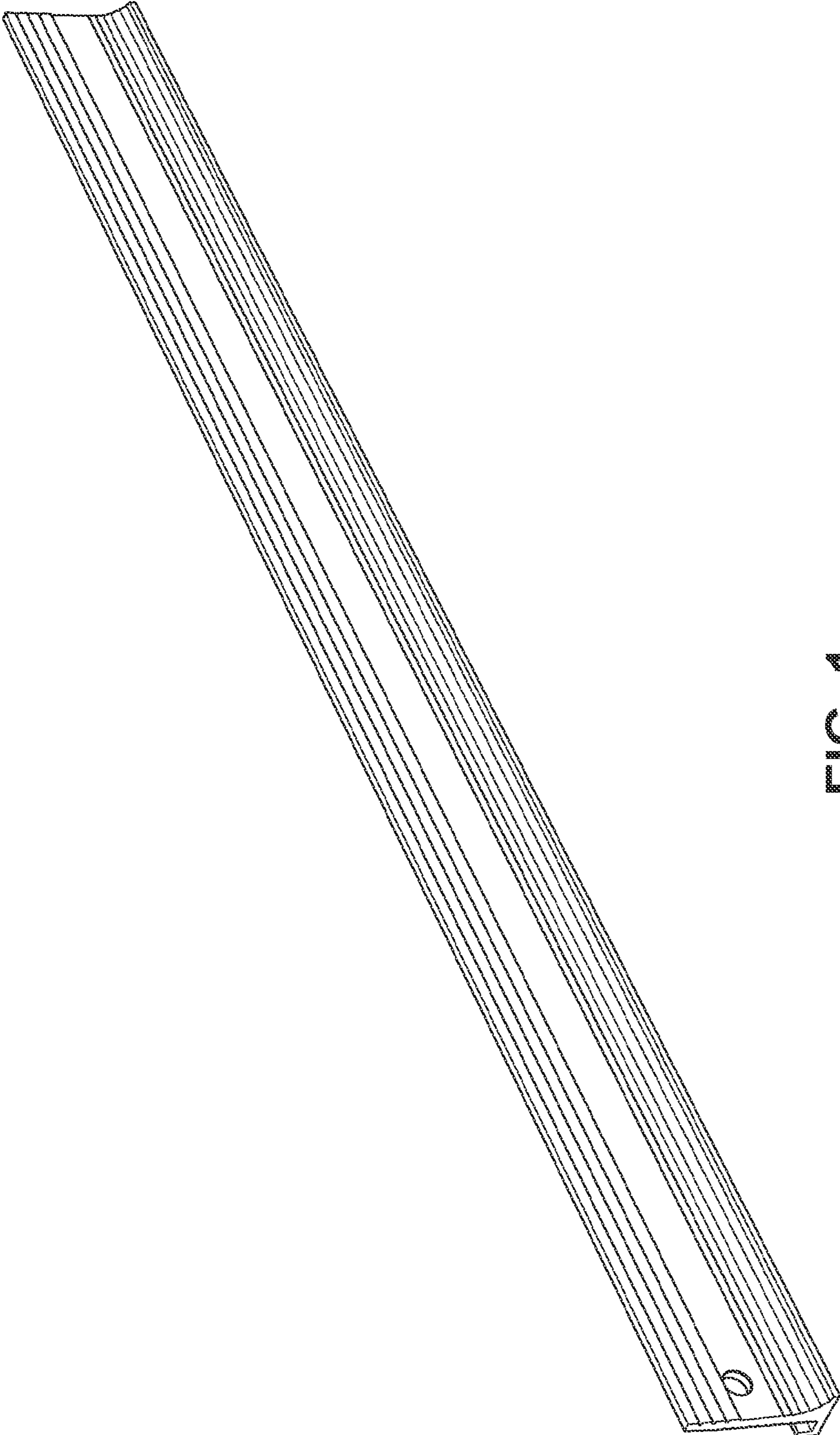


FIG. 1



FIG. 2

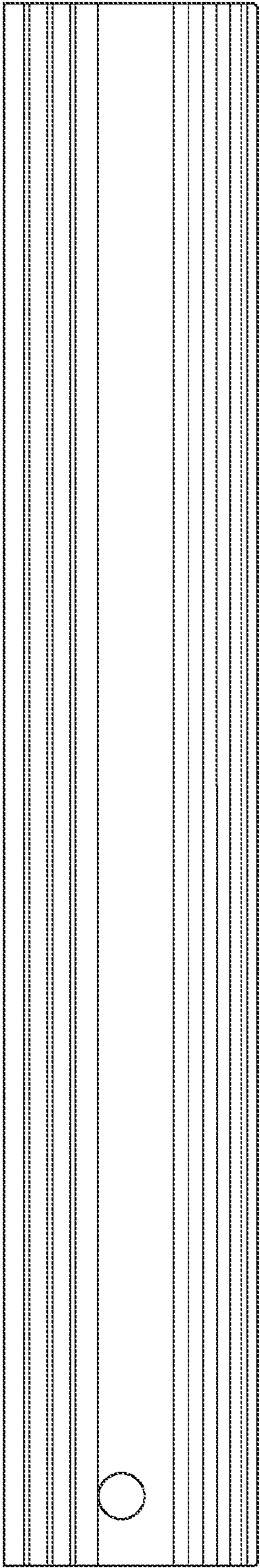


FIG. 3



FIG. 4

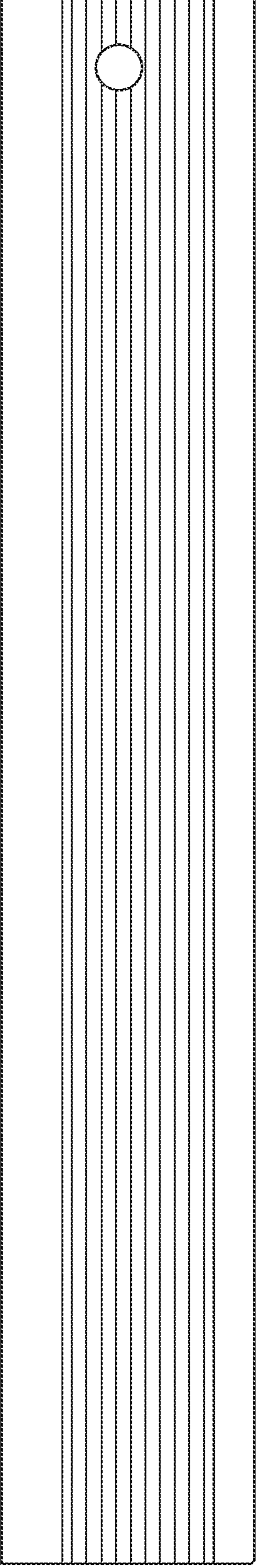


FIG. 5

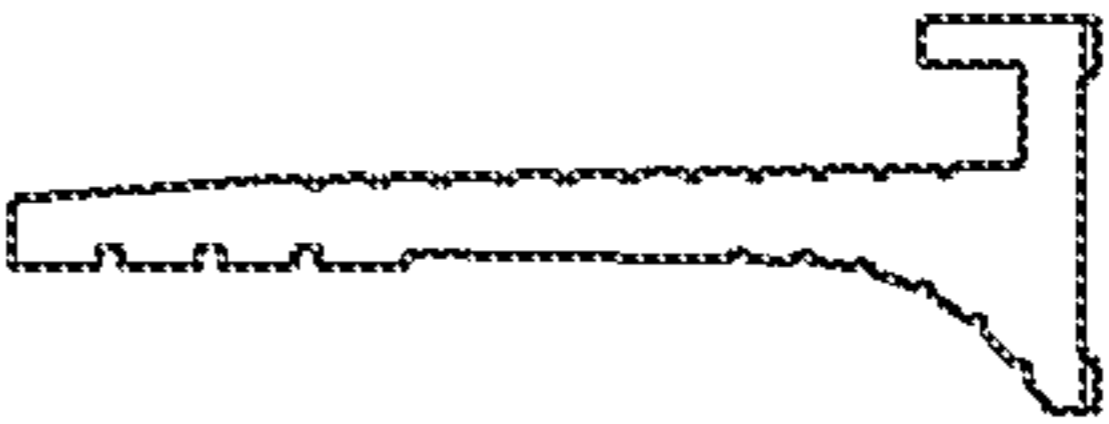


FIG. 6