



US00D576849S

(12) **United States Design Patent**
Carfagna

(10) **Patent No.:** **US D576,849 S**

(45) **Date of Patent:** **** Sep. 16, 2008**

(54) **WOODEN, SHOT GLASS SERVING PADDLE**

(76) Inventor: **Jeffery Dennard Carfagna**, 932
Redstone Trail, Dacula, GA (US) 30019

(**) Term: **14 Years**

(21) Appl. No.: **29/298,865**

(22) Filed: **Dec. 13, 2007**

(51) **LOC (8) Cl.** **07-01**

(52) **U.S. Cl.** **D7/701; D7/550.1; D7/705;**
D7/552.1

(58) **Field of Classification Search** **D7/550.1,**
D7/500, 543, 590, 553.8, 553.2, 553.3, 553.4,
D7/553.5, 701, 546, 705, 708, 600, 549, 552.2;
D6/569; D24/227; D28/61; D3/313; 211/77;
220/737; D21/731

See application file for complete search history.

(56) **References Cited**

U.S. PATENT DOCUMENTS

430,155 A * 6/1890 Taylor 473/507
D127,563 S * 6/1941 Cloutier D7/701
D198,098 S * 4/1964 Kaneko D6/569
D201,695 S * 7/1965 Bieger D7/705
D252,828 S * 9/1979 Davidson D28/61

D319,086 S * 8/1991 Hughes D21/731
D359,127 S * 6/1995 Biesecker D24/227
D381,515 S * 7/1997 Haynes D3/313
D533,413 S * 12/2006 Wax D7/701
D546,627 S * 7/2007 Price D7/552.1
D551,036 S * 9/2007 Tomaszewski et al. D7/701

* cited by examiner

Primary Examiner—Philip Hyder

Assistant Examiner—Cynthia Underwood

(57) **CLAIM**

The ornamental design for a wooden, shot glass serving paddle, as shown and described.

DESCRIPTION

FIG. 1 is a perspective view of a wooden, shot glass serving paddle, showing my new design;

FIG. 2 is a front elevational view of the invention;

FIG. 3 is a rear elevational view of the invention;

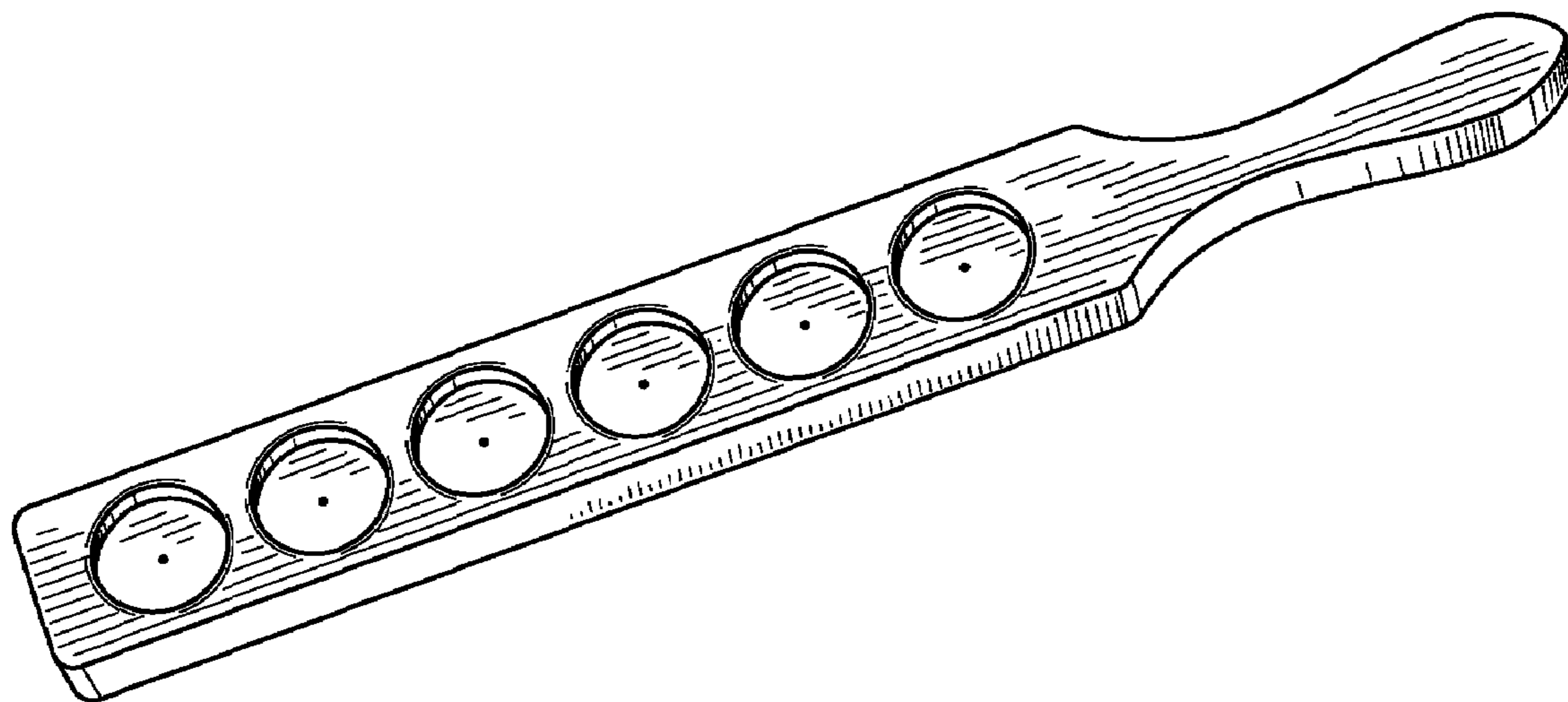
FIG. 4 is a left-side elevational view of the invention;

FIG. 5 is a right-side elevational view of the invention;

FIG. 6 is a top plan view of the invention; and,

FIG. 7 is a bottom plan view of the invention.

1 Claim, 1 Drawing Sheet



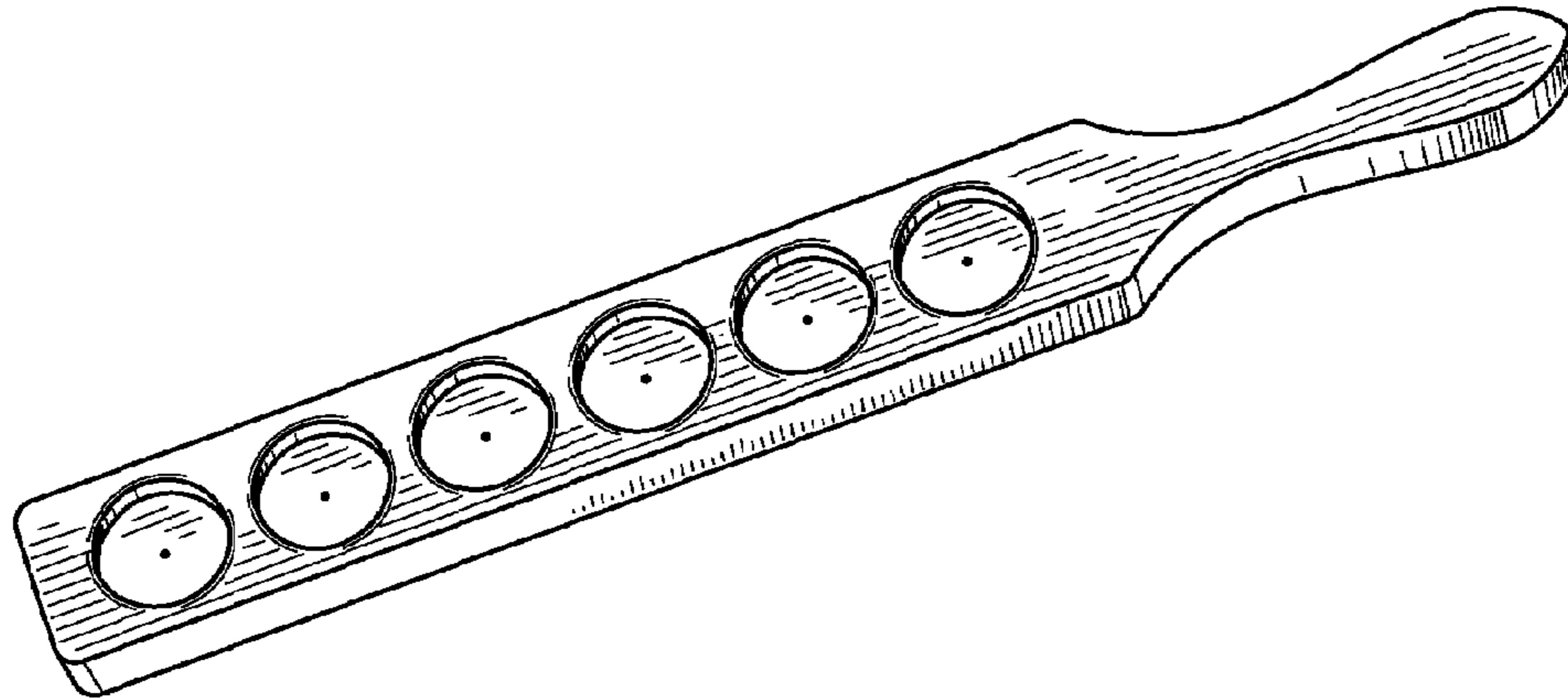


FIG. 1

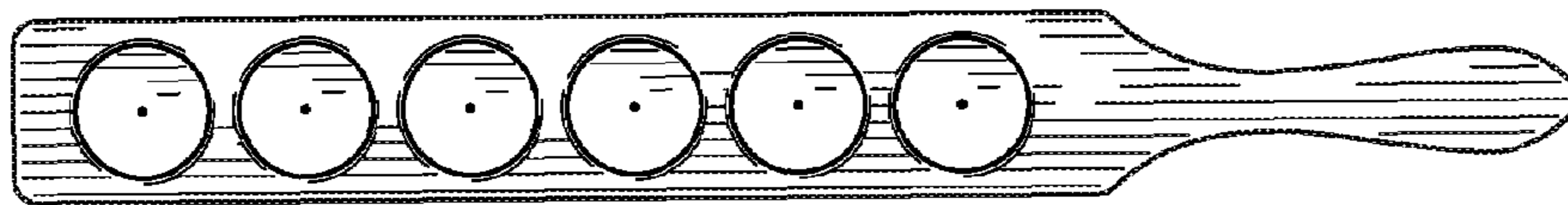


FIG. 2

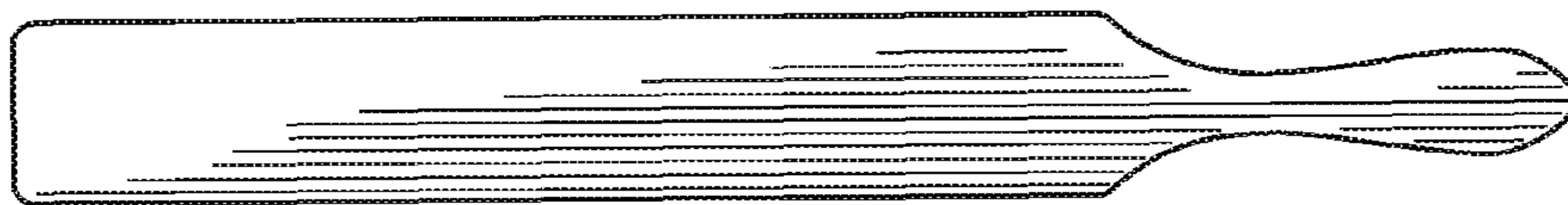


FIG. 3



FIG. 4



FIG. 5



FIG. 6



FIG. 7