



US00D576848S

(12) **United States Design Patent**  
**Williams**

(10) **Patent No.:** **US D576,848 S**

(45) **Date of Patent:** **\*\* Sep. 16, 2008**

(54) **FUNNEL**

5,685,352 A \* 11/1997 Faught ..... 141/331  
6,539,991 B1 \* 4/2003 Ackerman ..... 141/331

(75) Inventor: **Craig A. Williams**, Maumee, OH (US)

\* cited by examiner

(73) Assignee: **Designetics**, Holland, OH (US)

*Primary Examiner*—Terry A Wallace

(\*\*) Term: **14 Years**

(74) *Attorney, Agent, or Firm*—Donald K Wedding

(21) Appl. No.: **29/298,947**

(57) **CLAIM**

(22) Filed: **Dec. 17, 2007**

The ornamental design for a funnel, as shown and described.

(51) **LOC (8) Cl.** ..... **07-99**

(52) **U.S. Cl.** ..... **D7/700**

(58) **Field of Classification Search** ..... D7/700,  
D7/400, 619.1; 141/95, 98, 297-300, 331-345  
See application file for complete search history.

**DESCRIPTION**

FIG. 1 is an environmental perspective view of my design for a funnel.

FIG. 2 is a top view of my design shown in FIG. 1.

FIG. 3 is a right side view of my design shown in FIG. 1, the left side view being identical to the right side view; and,

FIG. 4 is a bottom view of my design shown in FIG. 1.

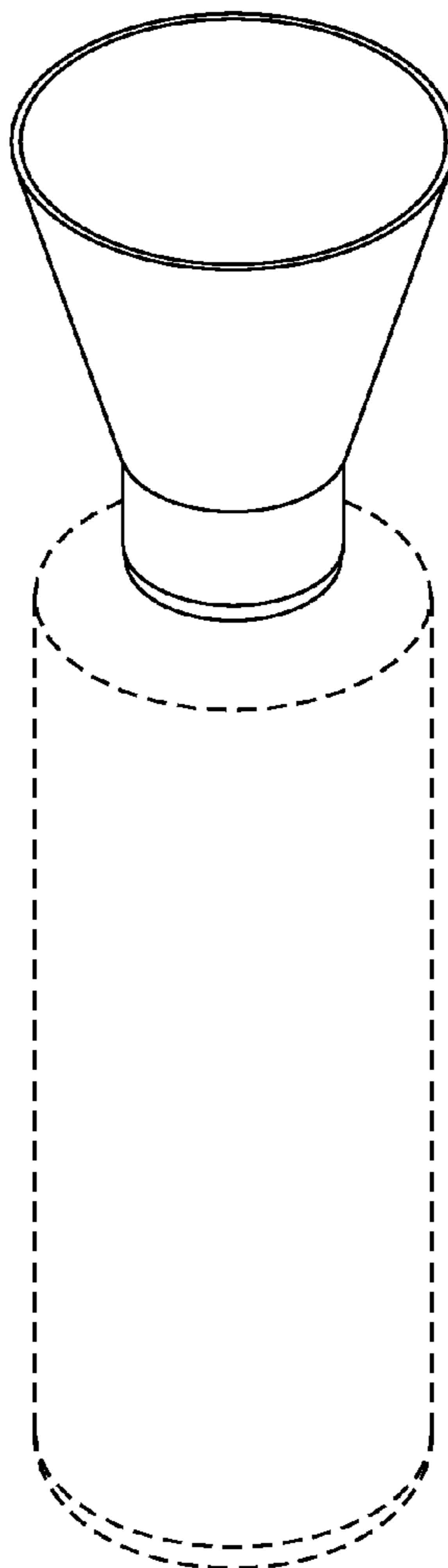
The broken lines in the drawings represent environmental structure only and form no part of the claimed design.

(56) **References Cited**

U.S. PATENT DOCUMENTS

463,473 A \* 11/1891 Beam ..... 141/73  
D269,425 S \* 6/1983 Whitaker, Jr. .... D7/700  
D383,043 S \* 9/1997 Harris ..... D7/700

**1 Claim, 2 Drawing Sheets**



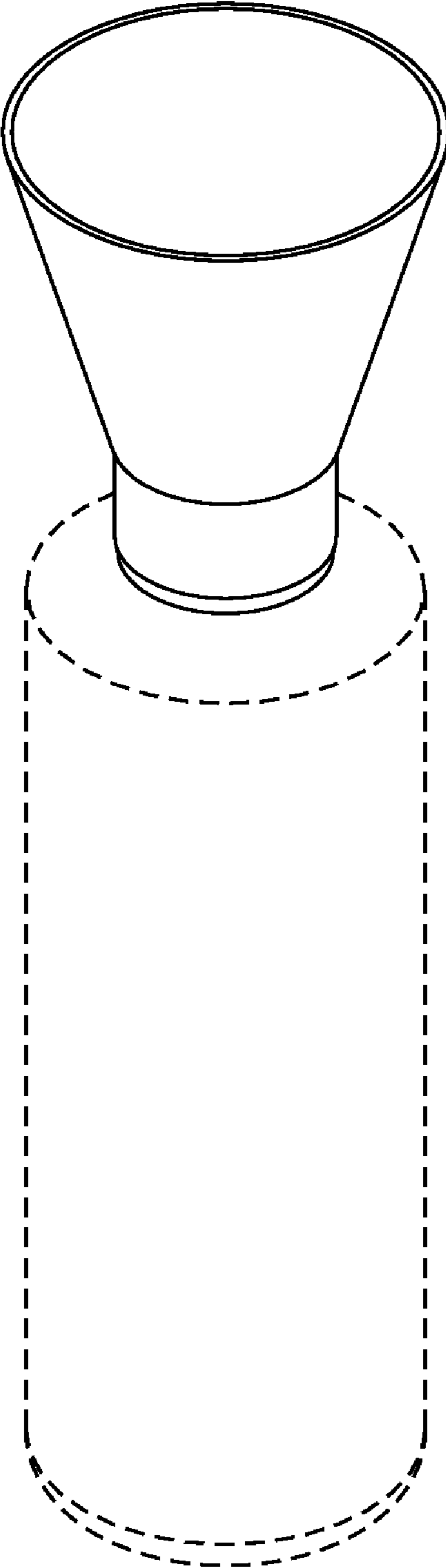


FIG. 1

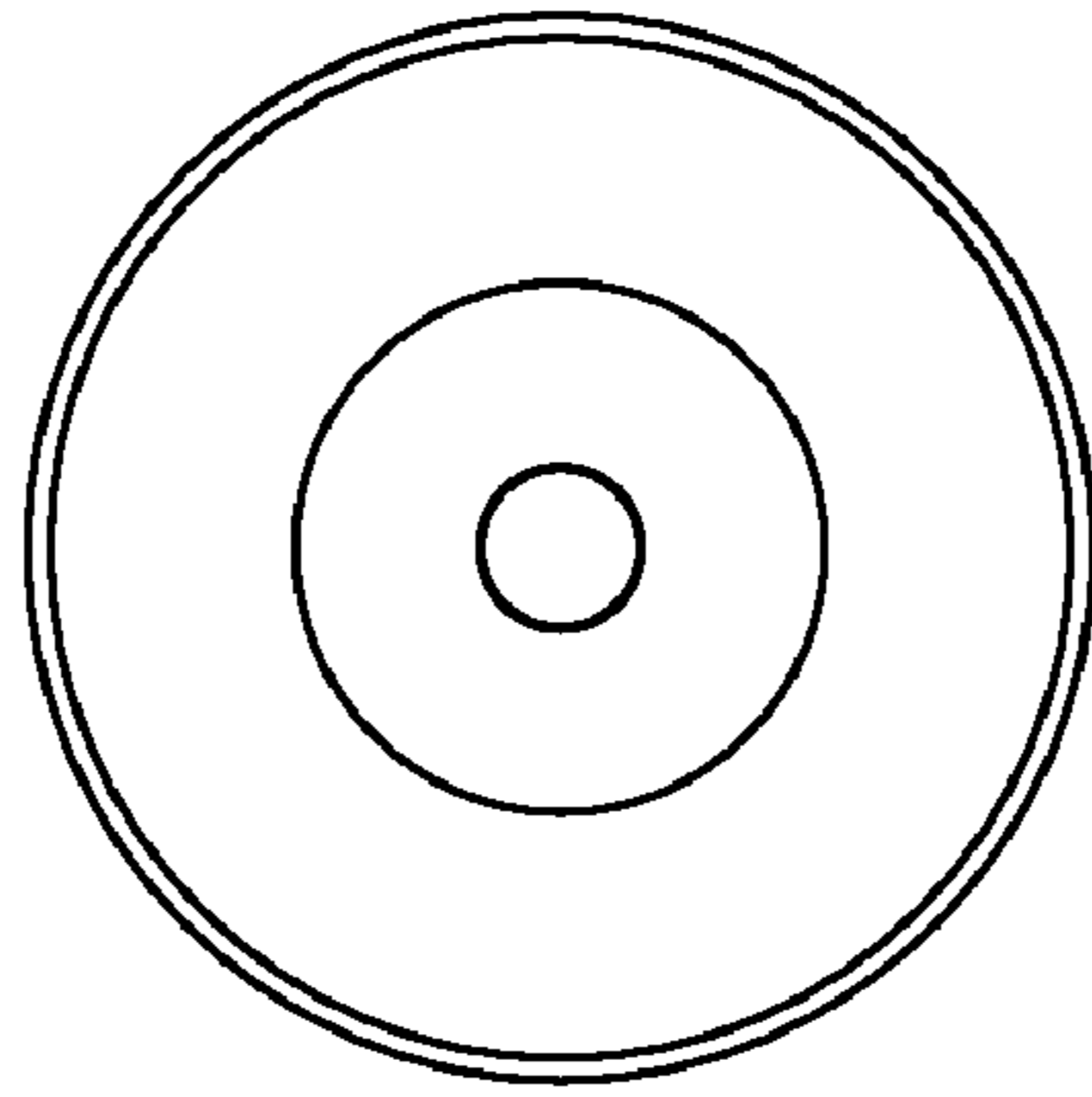


FIG. 2

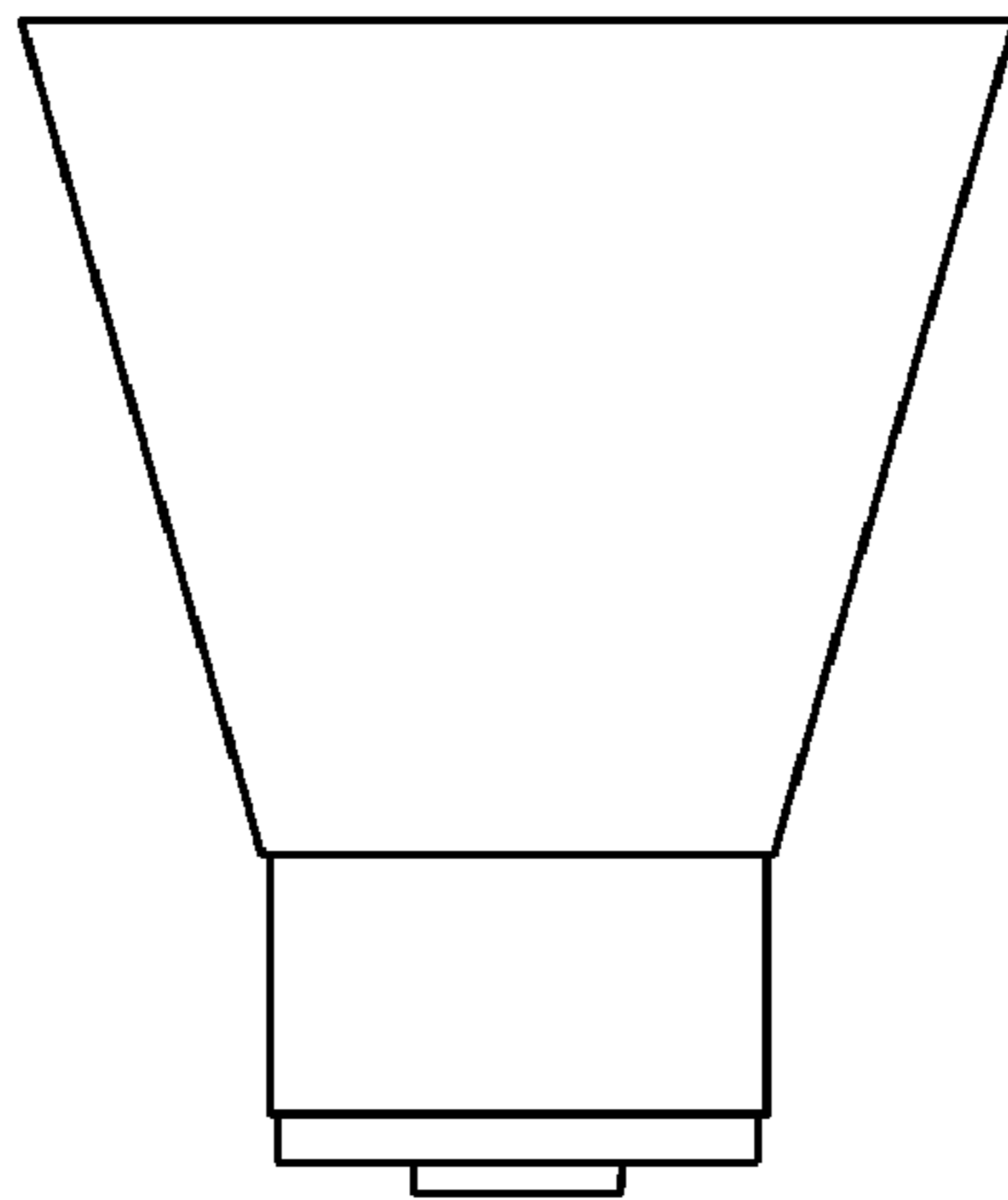


FIG. 3

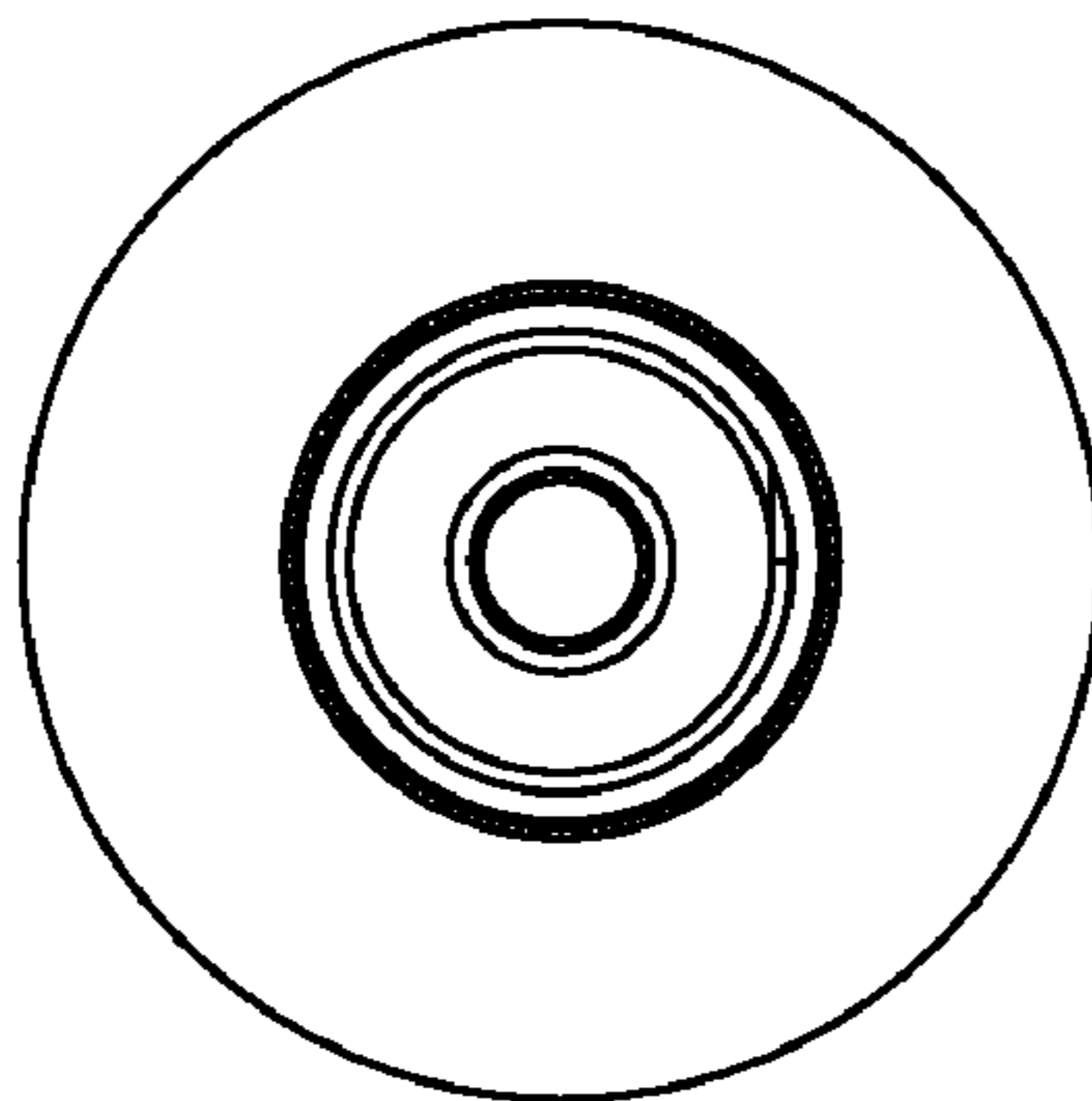


FIG. 4