



US00D576845S

(12) **United States Design Patent**
Ho

(10) **Patent No.:** **US D576,845 S**
(45) **Date of Patent:** **** Sep. 16, 2008**

(54) **PORTION OF A WHISK**

D493,678 S * 8/2004 Greco D7/690

(75) Inventor: **Neal Ho**, San Francisco, CA (US)

FOREIGN PATENT DOCUMENTS

(73) Assignee: **Browne & Co.** (CA)

CH	170402 A	7/1934
DE	334157 C	3/1921
DE	861913 C	1/1953
EP	0286394	10/1988

(**) Term: **14 Years**

* cited by examiner

(21) Appl. No.: **29/236,729**

Primary Examiner—Terry A Wallace

(22) Filed: **Aug. 22, 2005**

(74) *Attorney, Agent, or Firm*—Banner & Witcoff, Ltd.

(51) **LOC (8) Cl.** **07-02**

(57) **CLAIM**

(52) **U.S. Cl.** **D7/690**

The ornamental design for a portion of a whisk, as shown and described.

(58) **Field of Classification Search** D7/682–696,
D7/376, 379, 380; D11/3, 4, 6, 13, 121;
63/3, 4; 366/342–344, 129, 130; 416/69,
416/70 R, 71, 72, 227 R

DESCRIPTION

See application file for complete search history.

FIG. 1 is a perspective view of a portion of a whisk showing my new design;

(56) **References Cited**

U.S. PATENT DOCUMENTS

FIG. 2 is a side view thereof;

D34,098 S *	2/1901	Fell	D7/380
933,580 A *	9/1909	Preston	416/227 R
1,722,104 A *	7/1929	Miner	416/70 R
1,910,302 A *	5/1933	Maslow	416/70 R
D93,890 S *	11/1934	Raymond	D11/121
D144,739 S *	5/1946	Smith	D7/690
3,412,983 A *	11/1968	Kesilman et al.	416/70 R
4,735,510 A *	4/1988	Barbour et al.	366/343
D302,638 S *	8/1989	Hiscott et al.	D7/690
6,257,752 B1	7/2001	Browne		
D480,612 S *	10/2003	Schulein	D7/690

FIG. 3 is another side view thereof;

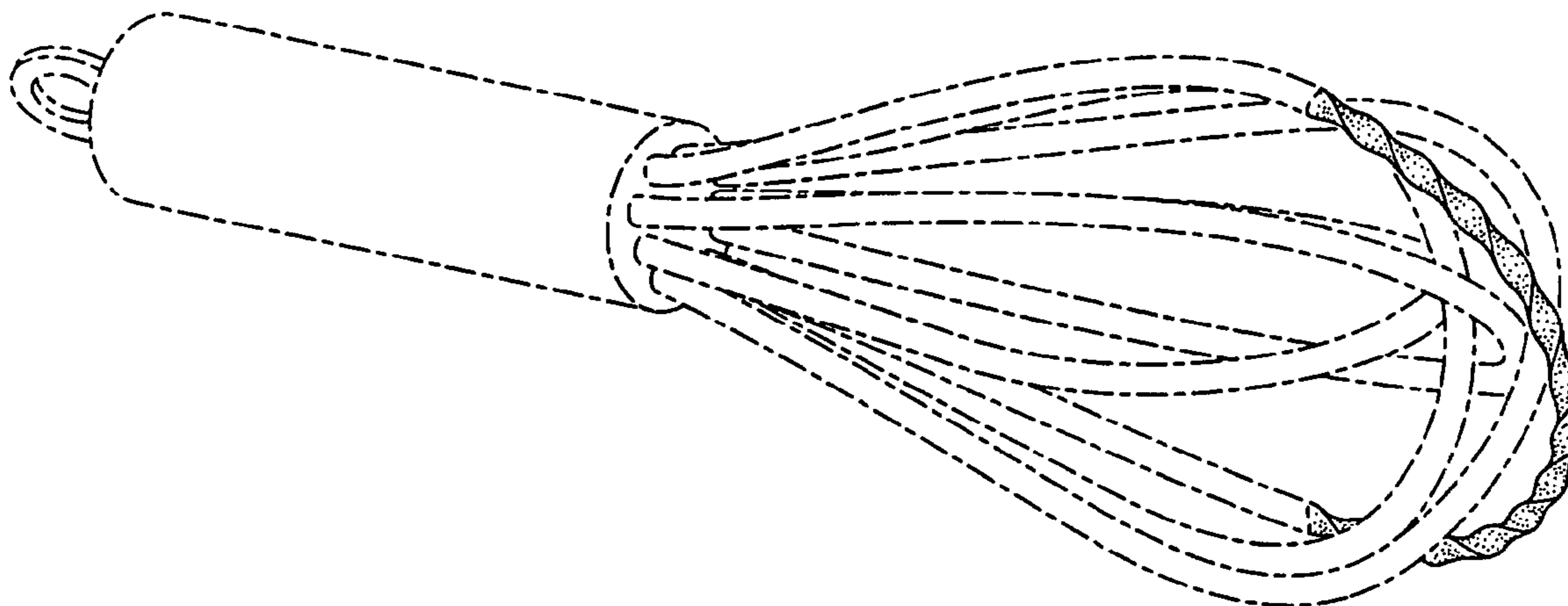
FIG. 4 is a top view thereof;

FIG. 5 is a bottom view thereof; and,

FIG. 6 is a front view thereof.

The broken lines immediately adjacent to the shaded region form unclaimed boundaries of the design. The broken line showing of the remainder of the whisk is for illustrative purposes and forms no part of the claimed design.

1 Claim, 4 Drawing Sheets



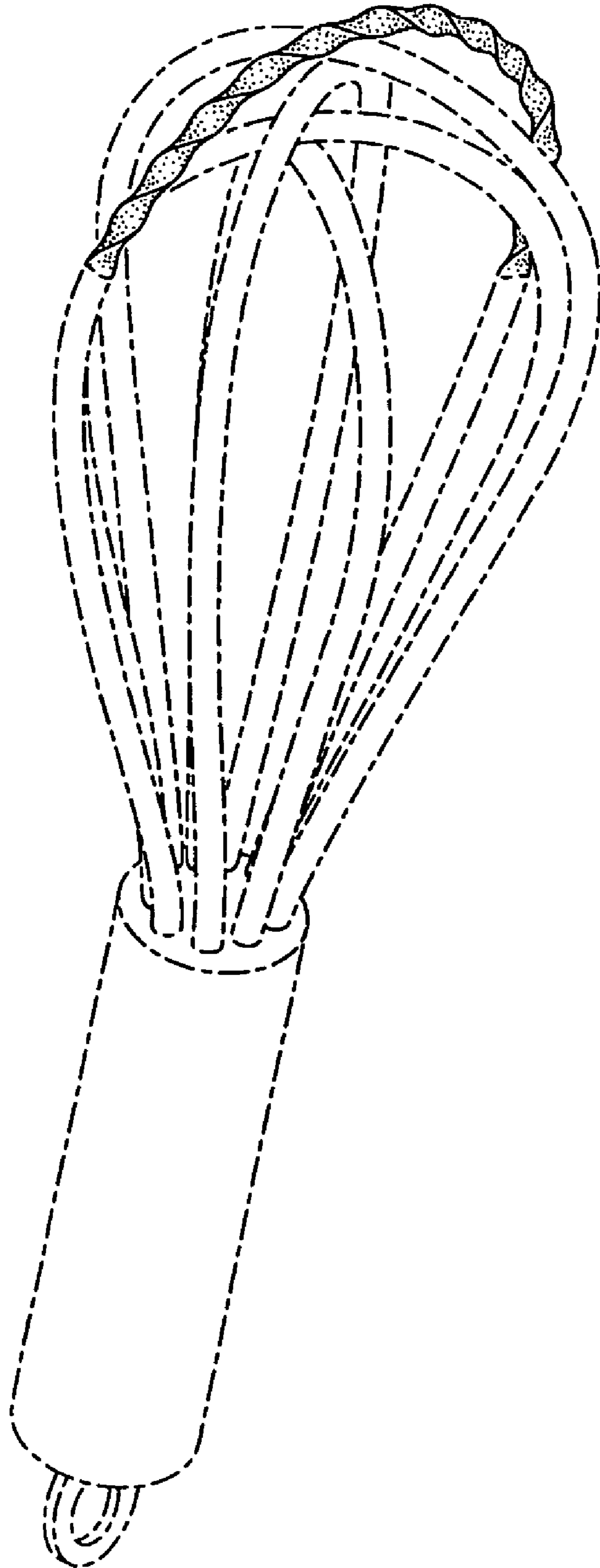


FIG. 1

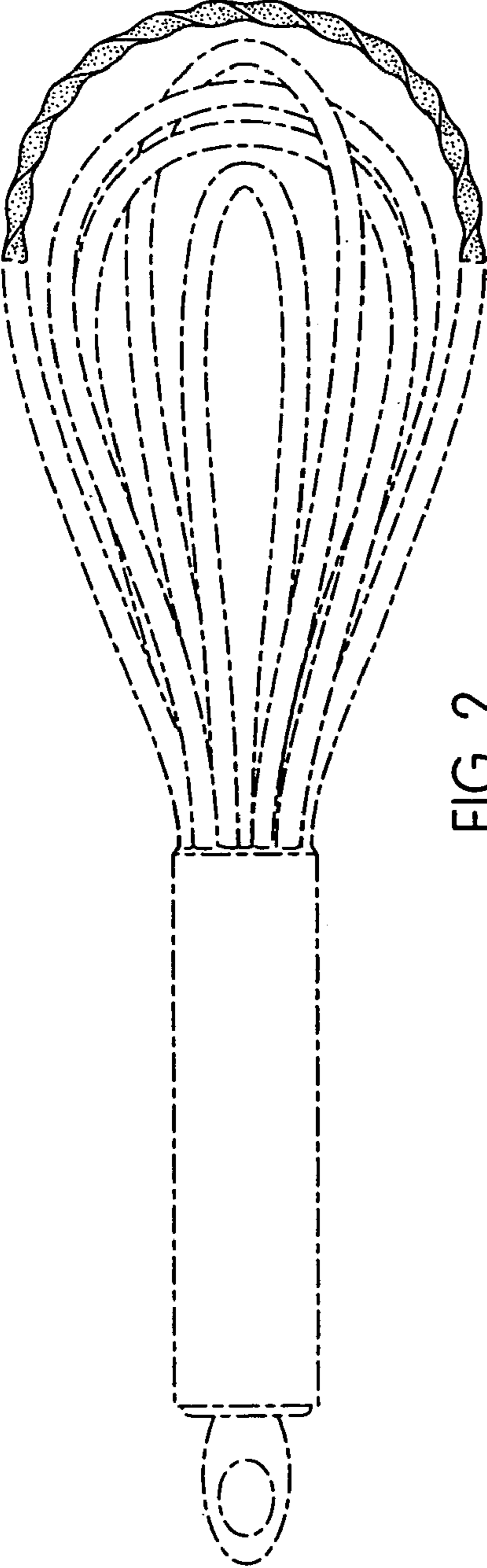


FIG. 2

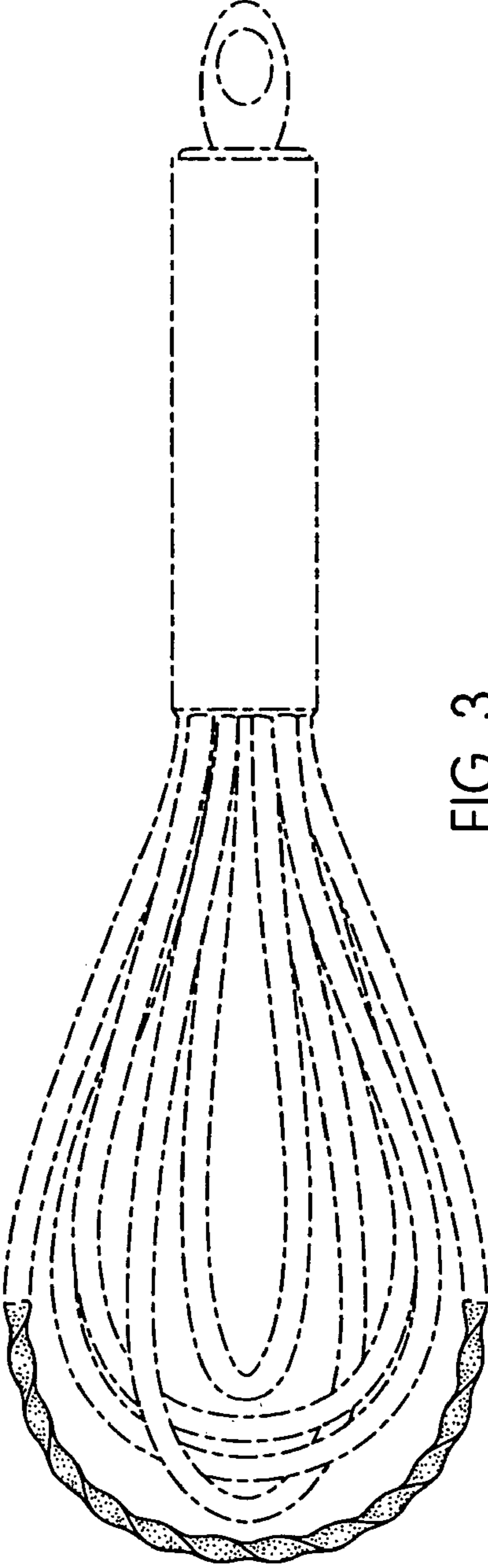


FIG. 3

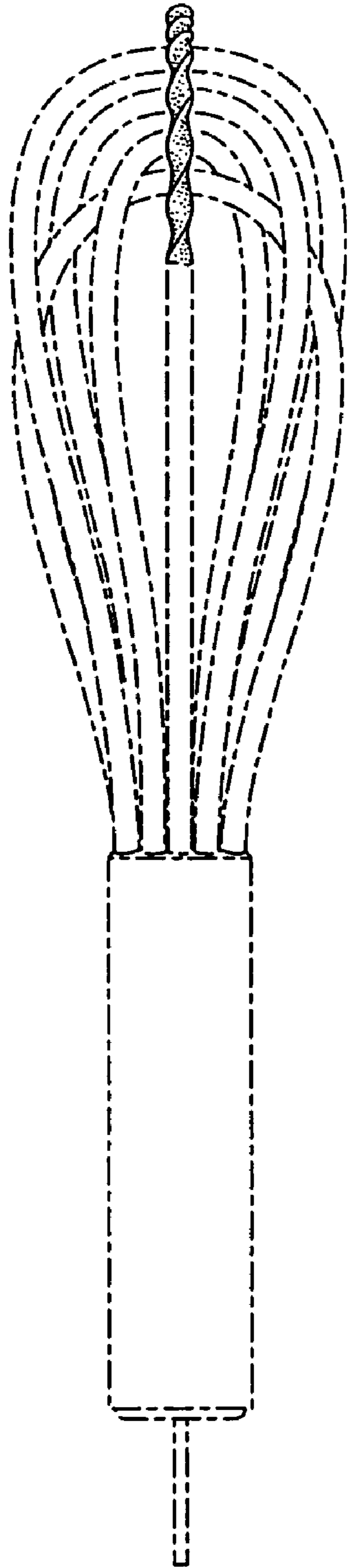


FIG. 4

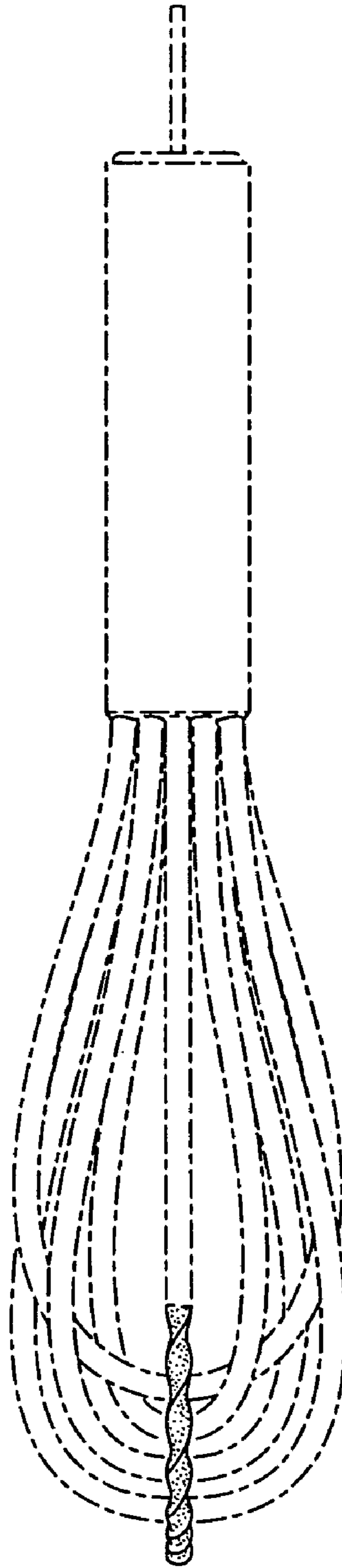


FIG. 5

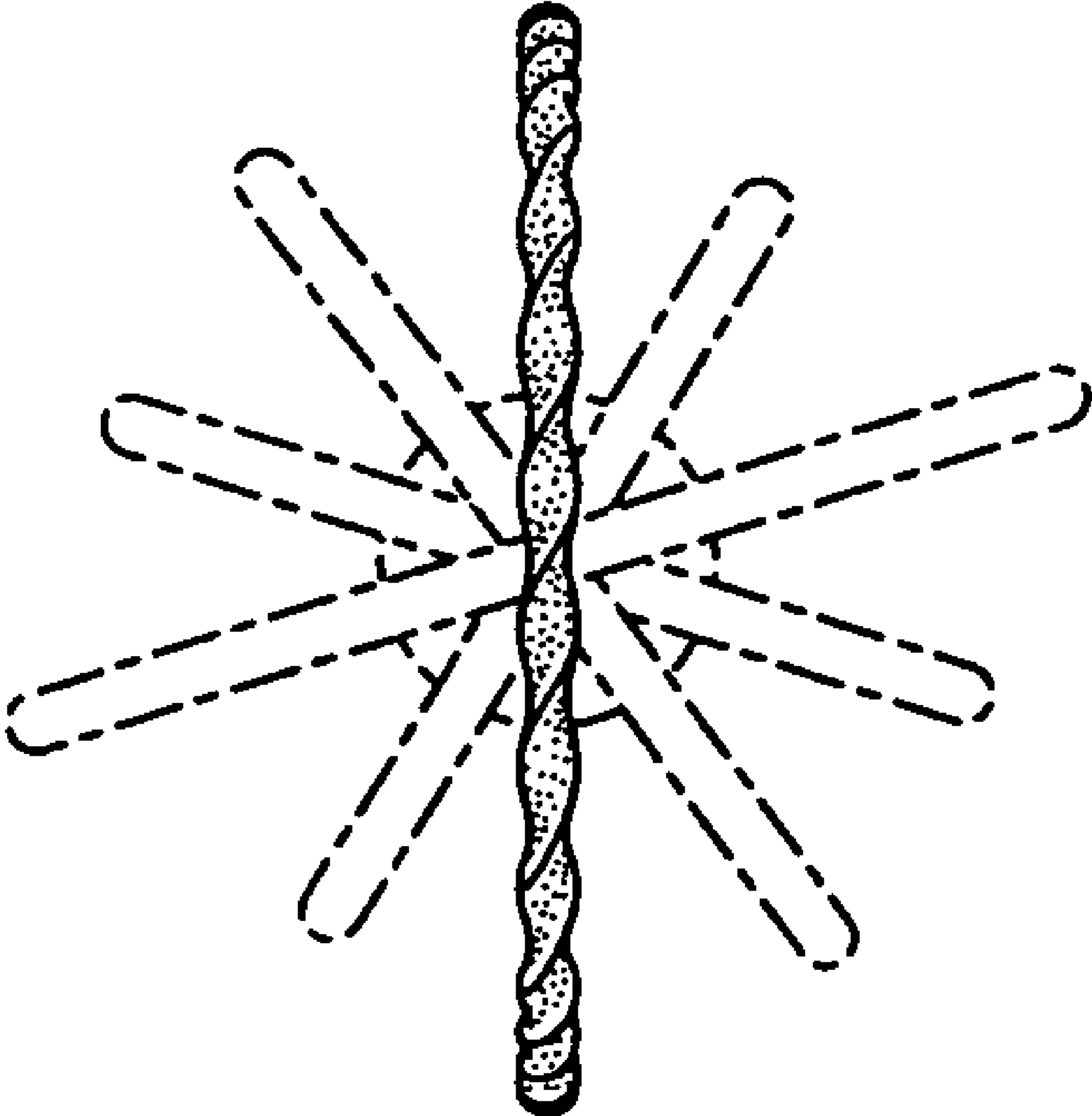


FIG. 6