



US00D576839S

(12) **United States Design Patent**  
**Mansfield**

(10) **Patent No.:** **US D576,839 S**

(45) **Date of Patent:** **\*\* Sep. 16, 2008**

(54) **DRINKING VESSEL**

(76) Inventor: **Bryan D. Mansfield**, 9020 Ogleby  
Creek Rd., Myakka City, FL (US) 34251

(\*\*) Term: **14 Years**

(21) Appl. No.: **29/317,116**

(22) Filed: **Apr. 23, 2008**

**Related U.S. Application Data**

(62) Division of application No. 29/297,095, filed on Nov.  
2, 2007.

(51) **LOC (8) Cl.** ..... **07-01**

(52) **U.S. Cl.** ..... **D7/513; D7/509**

(58) **Field of Classification Search** ..... D7/513,  
D7/500, 523; 220/507, 918, 500, 23.88,  
220/592.16, 592.17, 555, 505, 509; D9/500;  
D34/1; 215/387

See application file for complete search history.

(56) **References Cited**

**U.S. PATENT DOCUMENTS**

244,883 A 7/1881 Gantt  
(Continued)

**OTHER PUBLICATIONS**

Sydney Frank Importing Co., Inc., "Jager Bomb Cups," 2007 Las  
Vegas Nightclub & Bar Show, Handout, Mar. 4-7, 2007, Las Vegas,  
Nevada, USA.

(Continued)

*Primary Examiner*—Philip Hyder

*Assistant Examiner*—Cynthia Underwood

(74) *Attorney, Agent, or Firm*—Mark Douma

(57) **CLAIM**

I claim the ornamental design for a drinking vessel, as shown  
and described.

**DESCRIPTION**

FIG. 1 is a top and side perspective view of a drinking vessel  
showing my new design;

FIG. 2 is a side elevation view thereof, wherein the position of  
a middle portion is on a split between two inner walls, the  
opposite view being the same;

FIG. 3 is a side elevation view thereof, wherein the position of  
the middle portion is centered on an inner wall (rotated 90  
degrees from the view in FIG. 2), the opposite view being the  
same, wherein views from other sides can be understood from  
the perspective view;

FIG. 4 is a top plan view thereof;

FIG. 5 is a bottom plan view thereof;

FIG. 6 is a vertical longitudinal sectional view along line 6—6  
of FIG. 4;

FIG. 7 is a top and side perspective view of another embodi-  
ment of my new design;

FIG. 8 is a side elevation view thereof, wherein the position of  
a middle portion is on a split between two inner walls, the two  
other like views being the same;

FIG. 9 is a side elevation view thereof, wherein the position of  
the middle portion is centered on the intersection of two inner  
walls (opposite the view in FIG. 8), the two other like views  
being the same, wherein views from other sides can be under-  
stood from the perspective view;

FIG. 10 is a top plan view thereof;

FIG. 11 is a bottom plan view thereof;

FIG. 12 is a vertical longitudinal sectional view along line  
12—12 of FIG. 10;

FIG. 13 is a top and side perspective view of another embodi-  
ment of my new design;

FIG. 14 is a side elevation view thereof, wherein the position  
of a middle portion is on a split between two inner walls, the  
three other like views being the same;

FIG. 15 is a side elevation view thereof, wherein the position  
of the middle portion is centered on the intersection of two  
inner walls (rotated 45 degrees from the view in FIG. 14),  
wherein views from other sides can be understood from the  
perspective view;

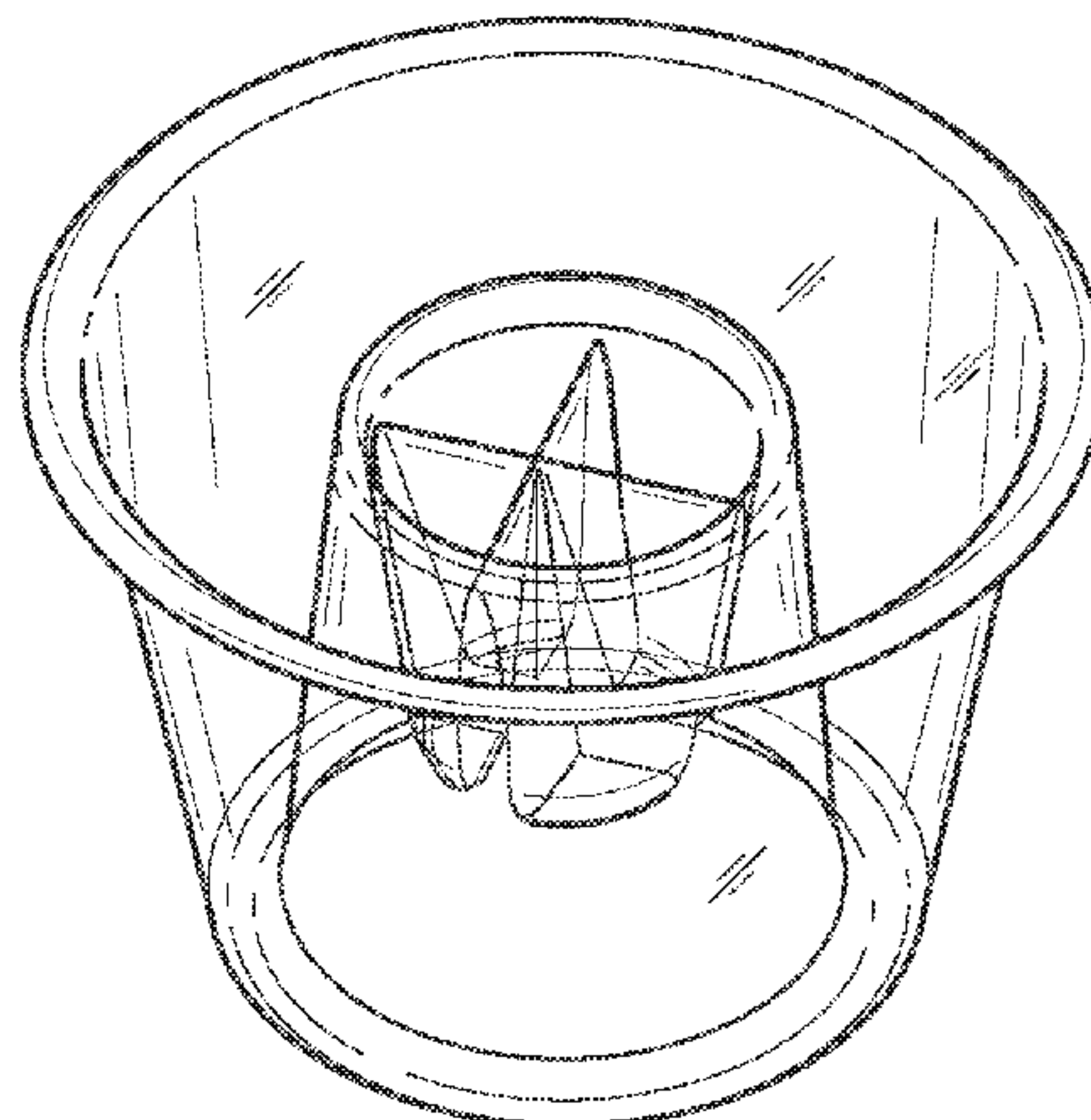
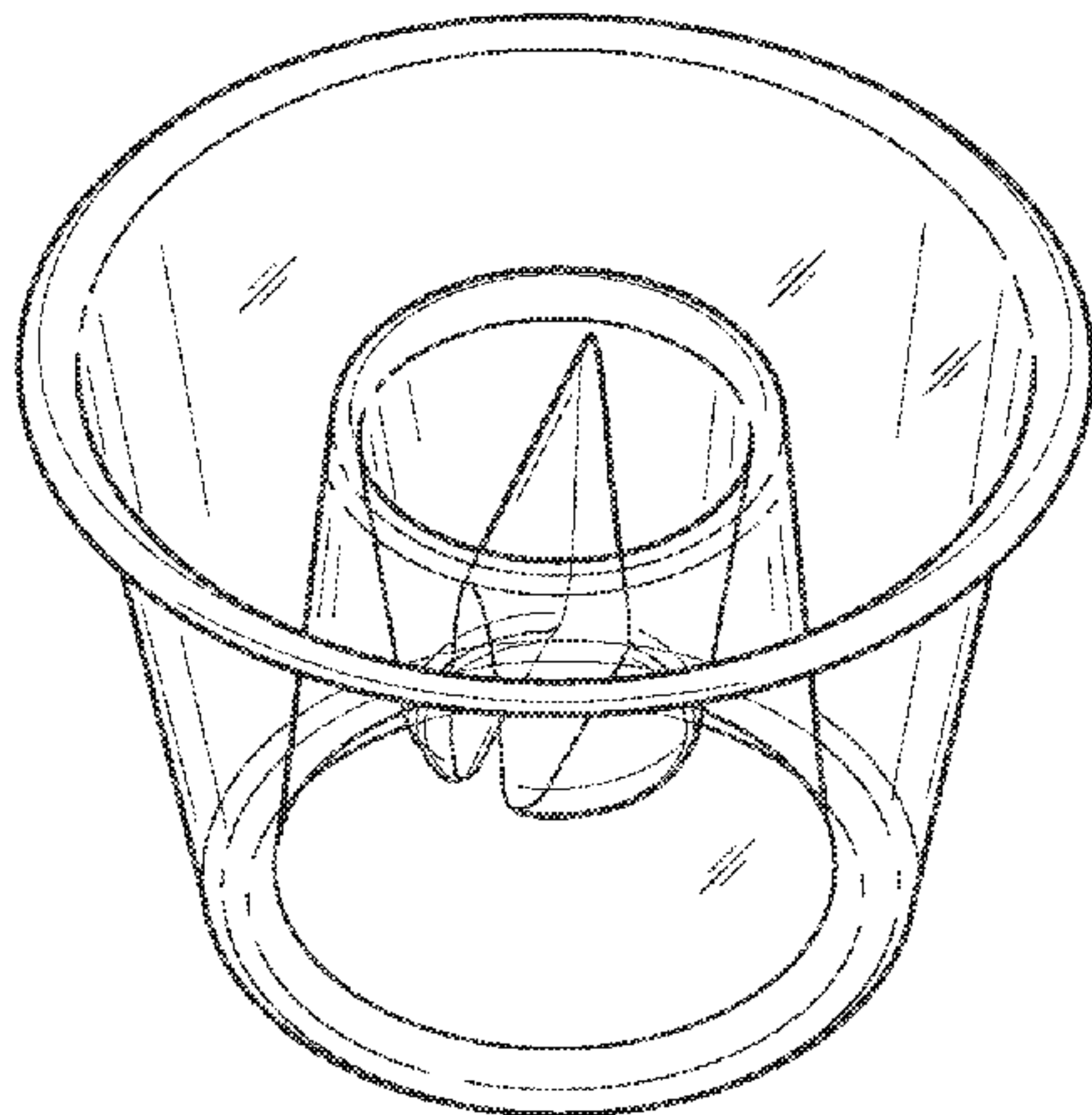
FIG. 16 is a top plan view thereof;

FIG. 17 is a bottom plan view thereof; and,

FIG. 18 is a vertical longitudinal sectional view along line  
18—18 of FIG. 16.

The oblique line surface treatment indicates a translucent as  
well as a transparent article.

**1 Claim, 12 Drawing Sheets**



U.S. PATENT DOCUMENTS

1,168,027 A 1/1916 Nirdlinger  
 D53,935 S \* 10/1919 Reaper ..... D7/557  
 1,476,910 A 12/1923 Naugle  
 1,832,585 A 11/1931 Sample  
 D99,531 S 5/1936 Sterling  
 D101,721 S 10/1936 Spinelli  
 2,288,044 A 6/1942 Stemme  
 2,335,016 A \* 11/1943 Lorenzen et al. .... 220/524  
 2,428,056 A \* 9/1947 Wachsmann ..... 220/719  
 2,493,633 A 1/1950 Mart  
 D167,667 S 9/1952 Babany  
 3,261,494 A 7/1966 Walker  
 D222,375 S 10/1971 Bencik  
 D258,796 S \* 4/1981 Paulides ..... D7/513  
 4,395,015 A 7/1983 Reardon  
 D304,658 S 11/1989 Mattei  
 4,955,503 A \* 9/1990 Propes ..... 220/526  
 D310,941 S 10/1990 Carty  
 5,242,071 A \* 9/1993 Goebel ..... 220/4.23  
 5,405,030 A 4/1995 Frazier  
 D369,717 S \* 5/1996 Chiba ..... D7/354  
 D375,200 S \* 11/1996 Nugent ..... D3/313  
 D400,398 S 11/1998 McNaughton  
 D416,443 S \* 11/1999 Kilpatrick et al. .... D7/513  
 D424,768 S \* 5/2000 Tsou ..... D32/53  
 6,123,214 A \* 9/2000 Goebel ..... 220/23.4  
 6,138,862 A 10/2000 Tai  
 D446,374 S \* 8/2001 Howard et al. .... D34/1  
 D453,405 S \* 2/2002 Howard ..... D34/1  
 6,355,215 B1 \* 3/2002 Poggie et al. .... 422/23

D471,404 S \* 3/2003 Gady ..... D7/523  
 D471,803 S \* 3/2003 Trombly ..... D9/737  
 D477,122 S \* 7/2003 Howard ..... D34/1  
 D480,601 S 10/2003 Pettaweebuncha  
 D515,870 S 2/2006 Akopyan  
 7,168,584 B2 \* 1/2007 Akopyan ..... 220/23.83  
 D539,091 S \* 3/2007 Mansfield ..... D7/513  
 7,243,812 B2 7/2007 Mansfield  
 D556,511 S \* 12/2007 Mansfield ..... D7/523  
 D556,512 S \* 12/2007 Mansfield ..... D7/523  
 D557,985 S \* 12/2007 Arcangeli et al. .... D7/536  
 D562,074 S \* 2/2008 Mansfield ..... D7/523  
 2006/0021986 A1 \* 2/2006 Mansfield et al. .... 220/506  
 2006/0169699 A1 \* 8/2006 Mansfield et al. .... 220/506  
 2006/0169700 A1 8/2006 Mansfield  
 2008/0029518 A1 \* 2/2008 Mansfield et al. .... 220/553

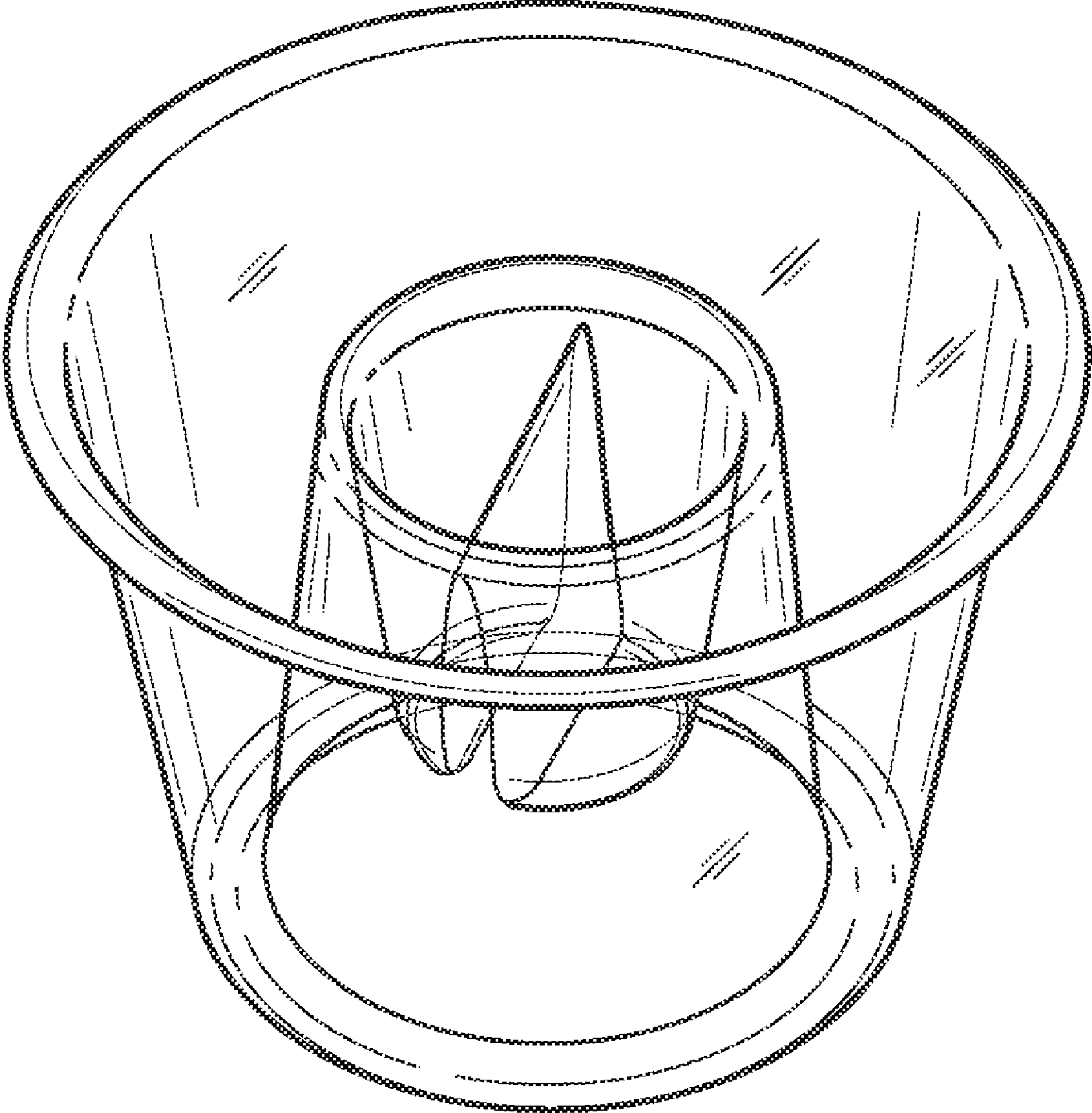
OTHER PUBLICATIONS

Hurricane Shooters, LLC, Nightclub & Bar Magazine, Mar. 2005, p. 84, USA Available to the public about Feb. 10, 2005, Exhibited at a Las Vegas, NV, USA show on Mar. 1, 2005.

By George, LLC, Disposabomb Datasheet [online] [retrieved on Nov. 16, 2005] Retrieved from the Internet: <URL <http://www.disposabomb.com/home.htm>> 1 page Domain registered May 13, 2005.

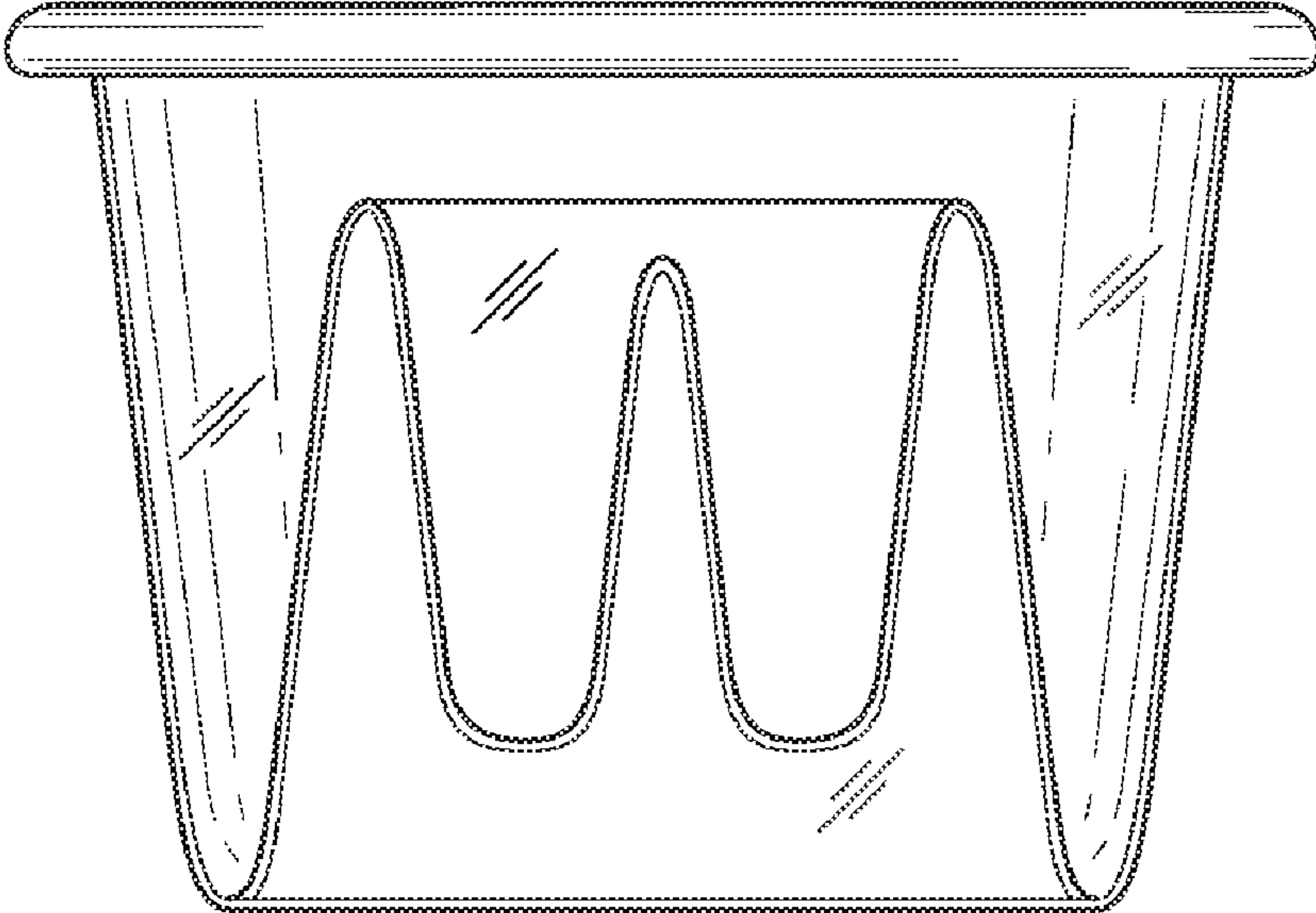
Hurricane Shooters, LLC, Bomber Datasheet [online] [Retrieved on Nov. 22, 2005] Retrieved from the Internet: <URL [www.hurricaneshooters.com/products.php](http://www.hurricaneshooters.com/products.php)> 1 page Domain registered Nov. 24, 2004.

\* cited by examiner

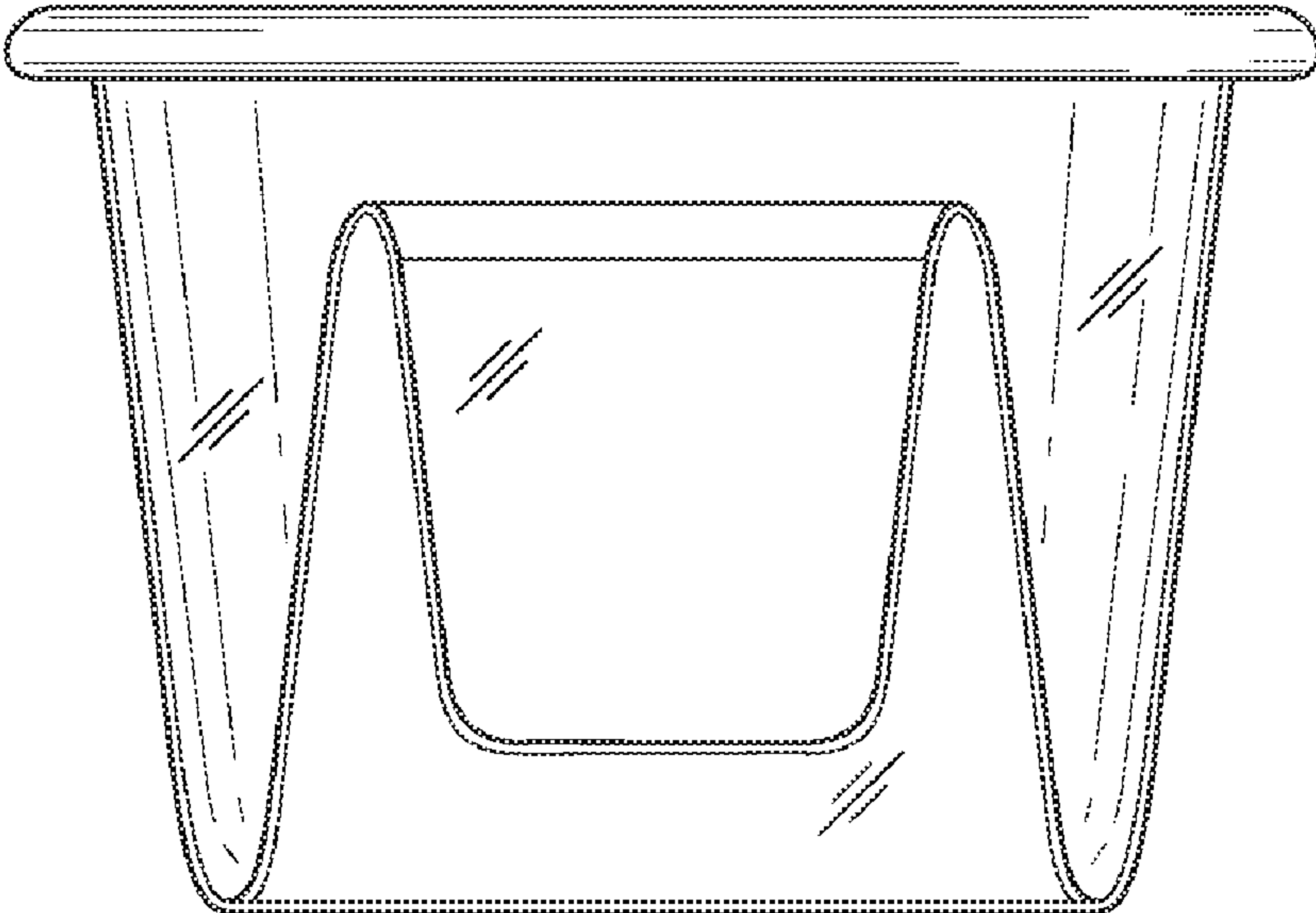


**FIG. 1**

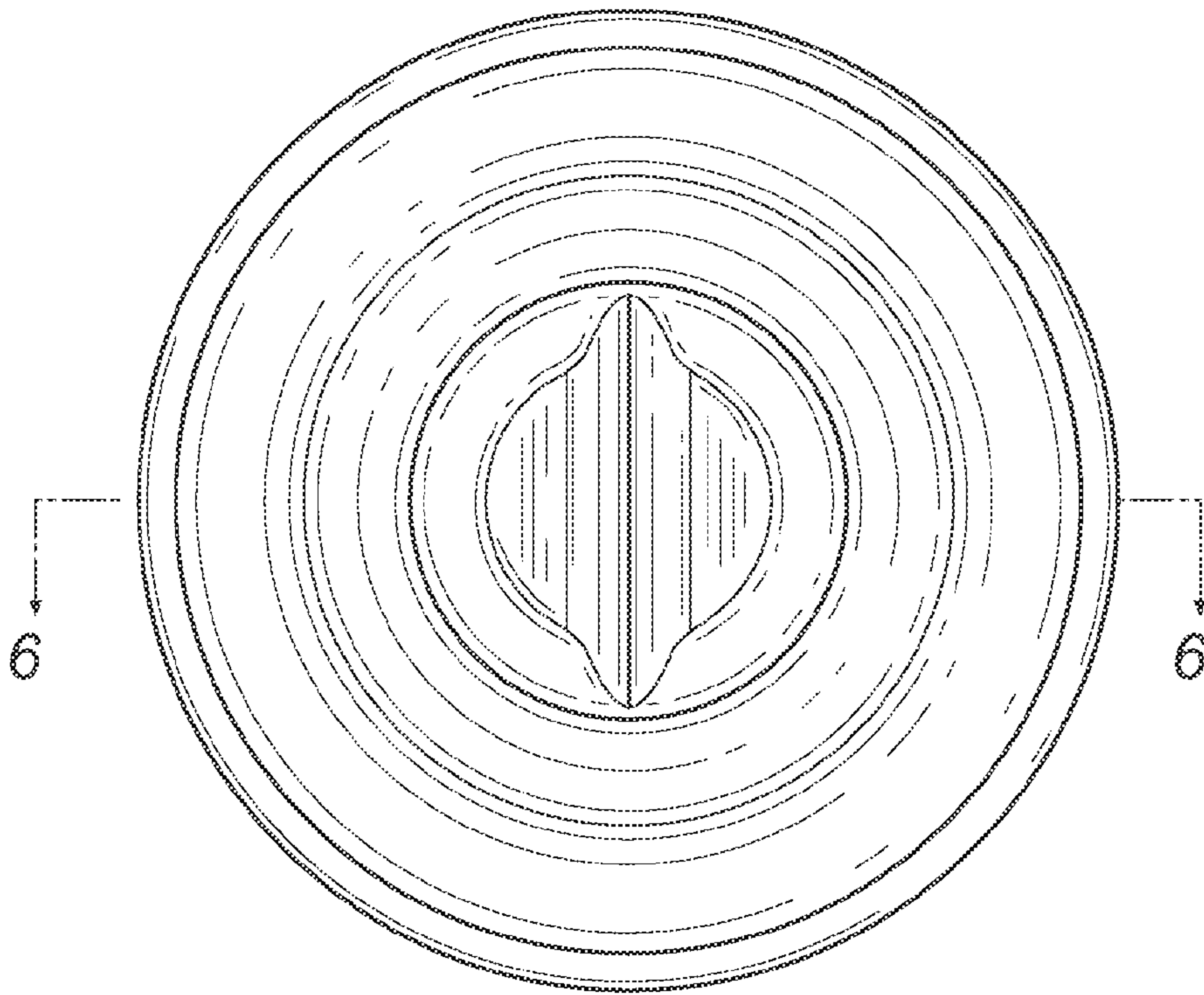




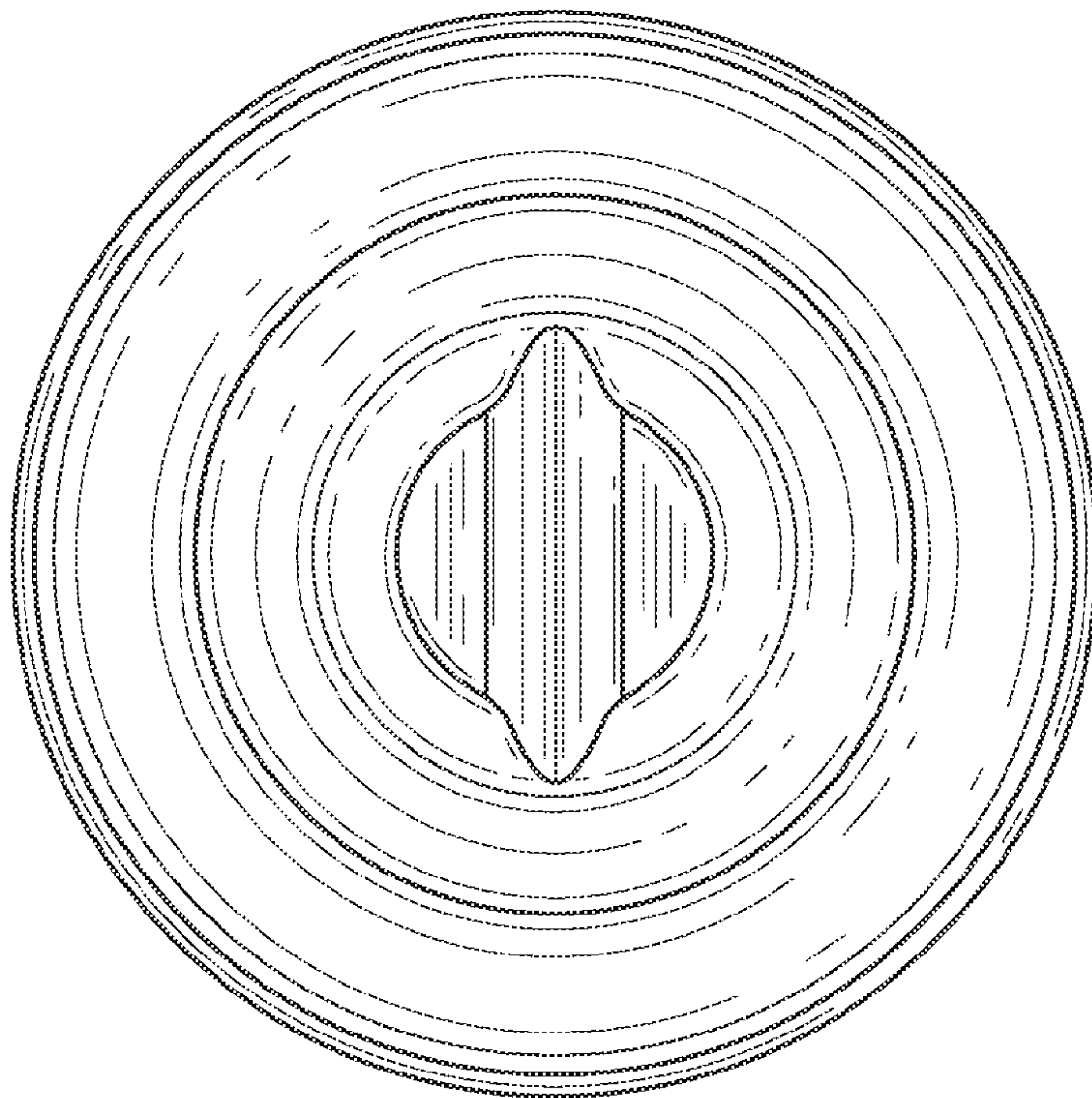
**FIG. 2**



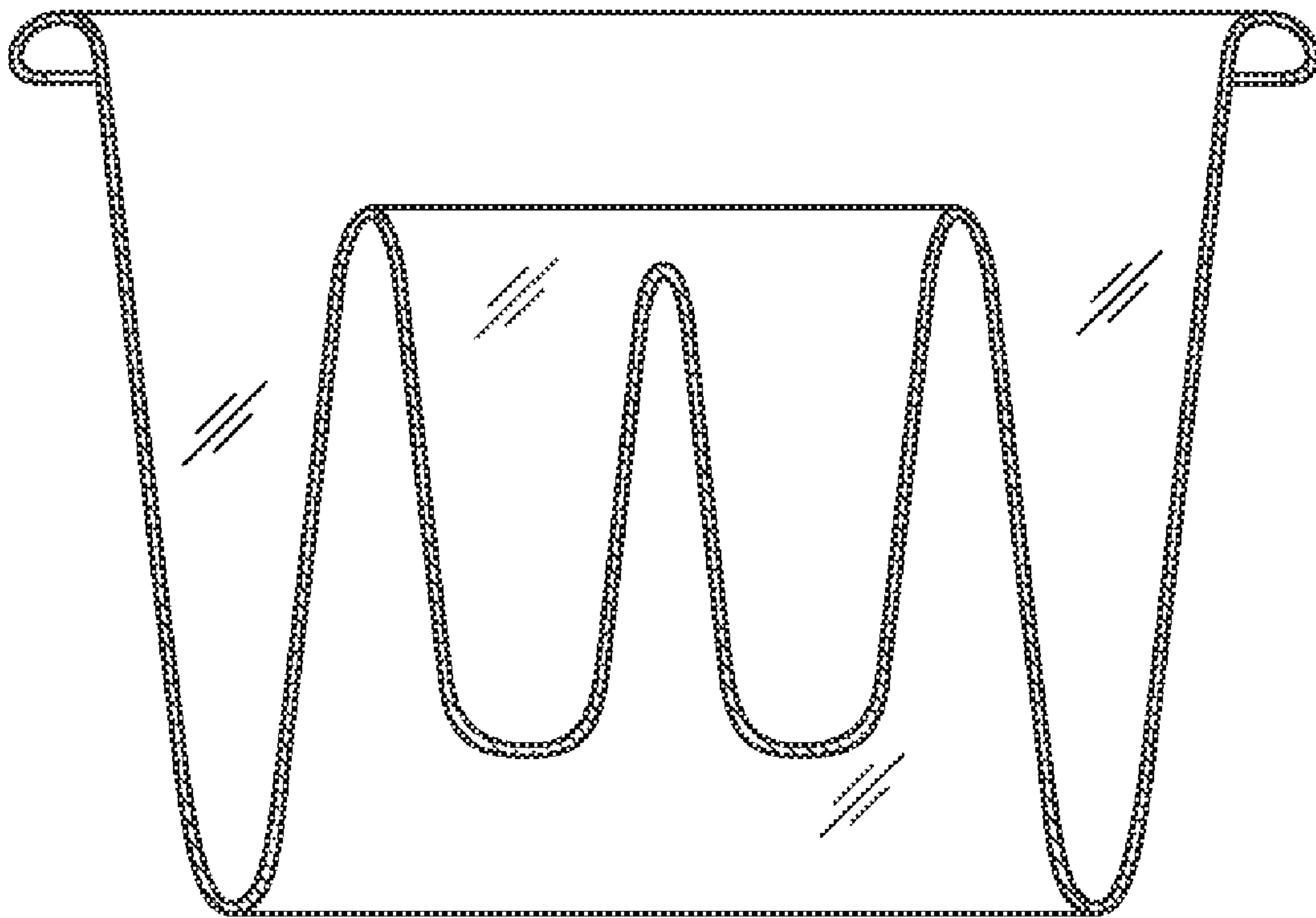
**FIG. 3**



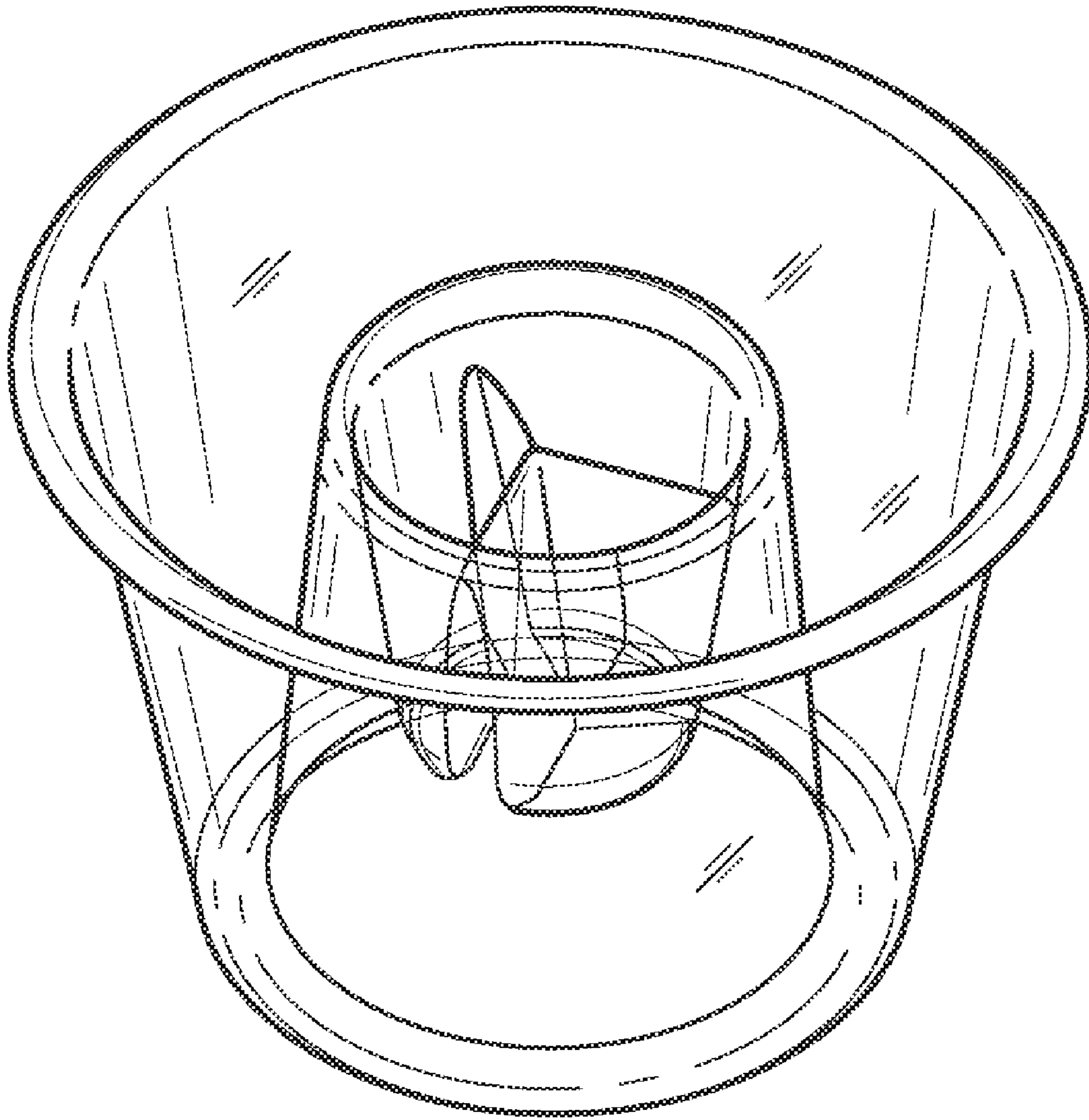
**FIG. 4**



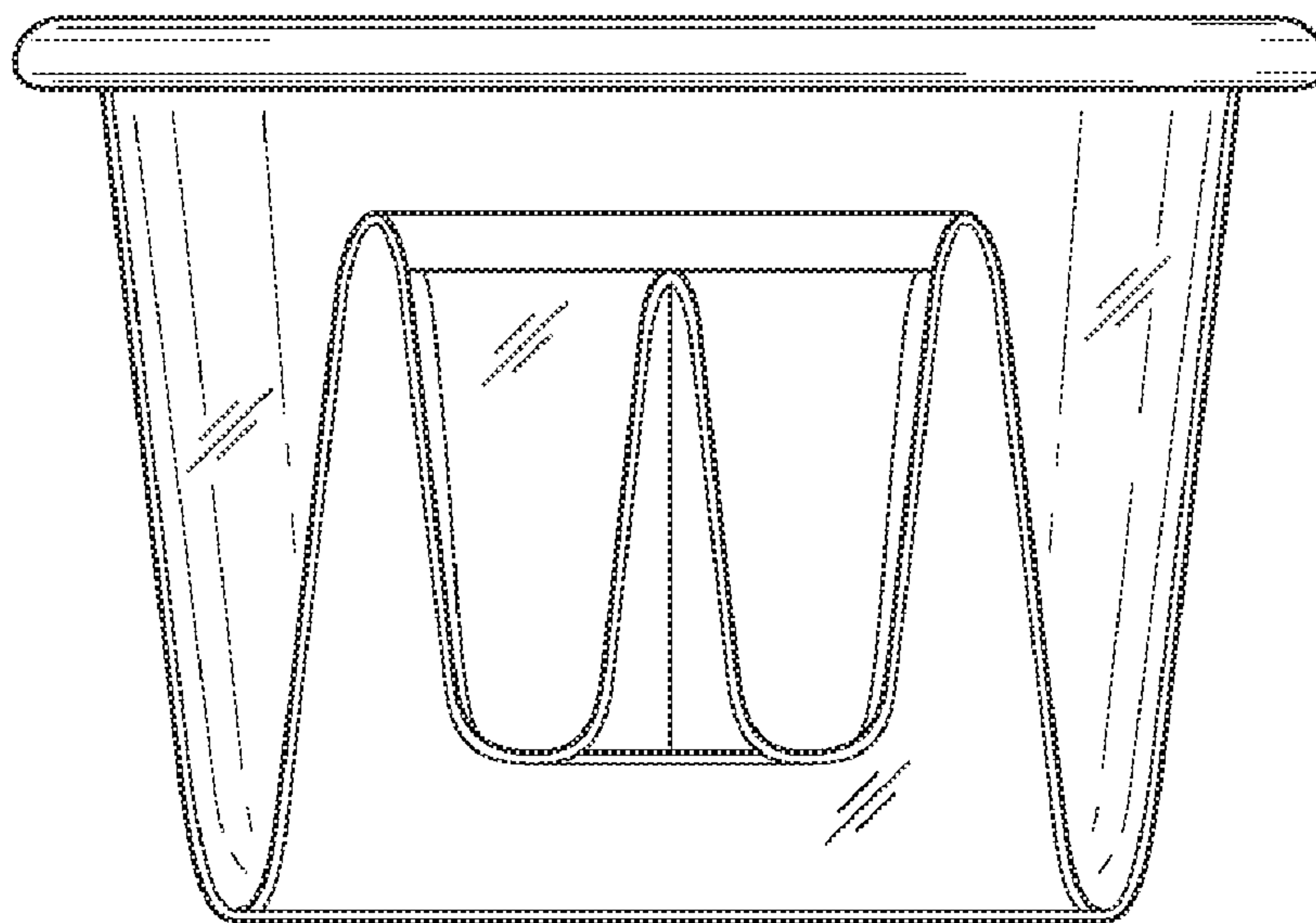
**FIG. 5**



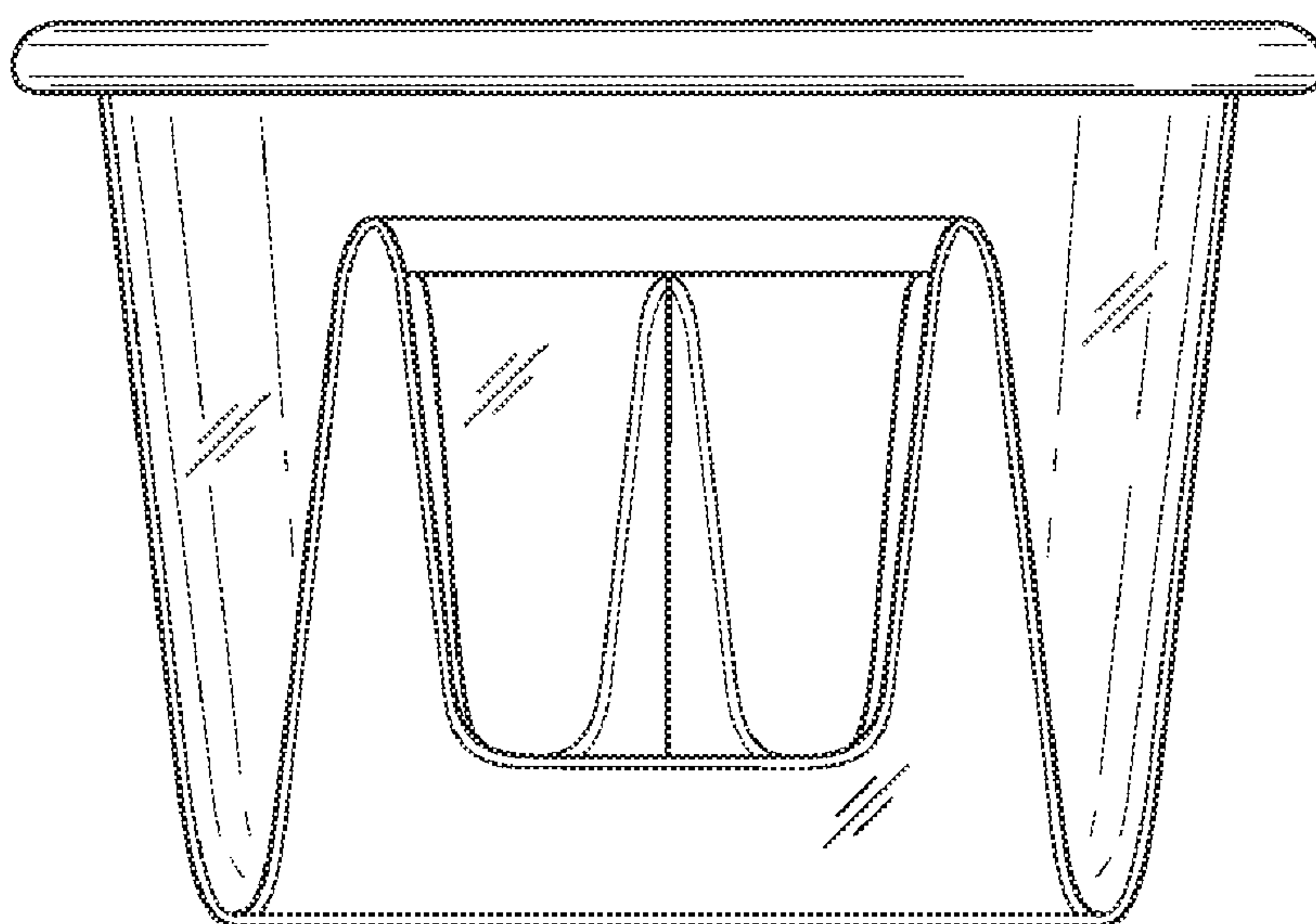
**FIG. 6**



**FIG. 7**

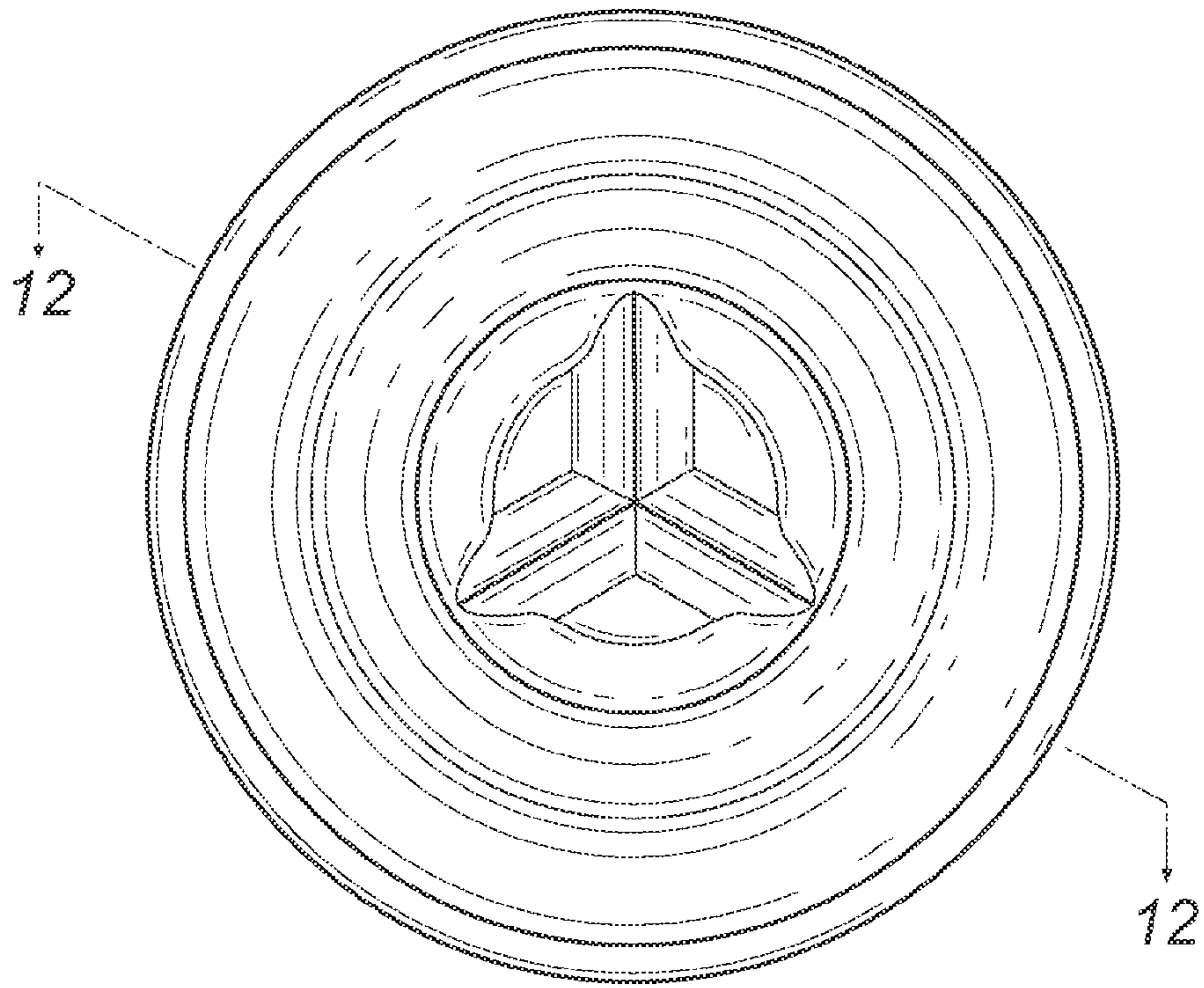


**FIG. 8**

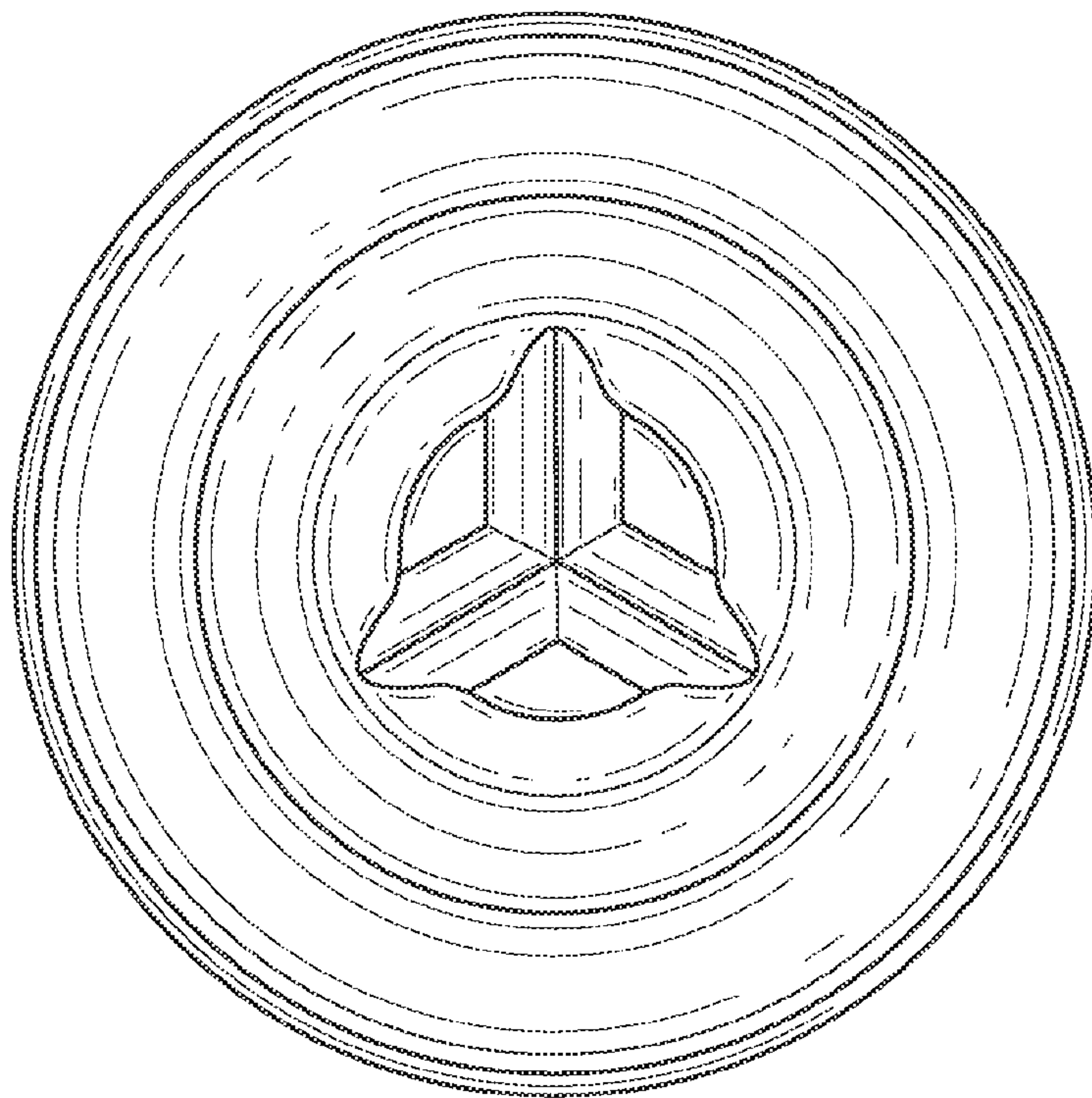


**FIG. 9**

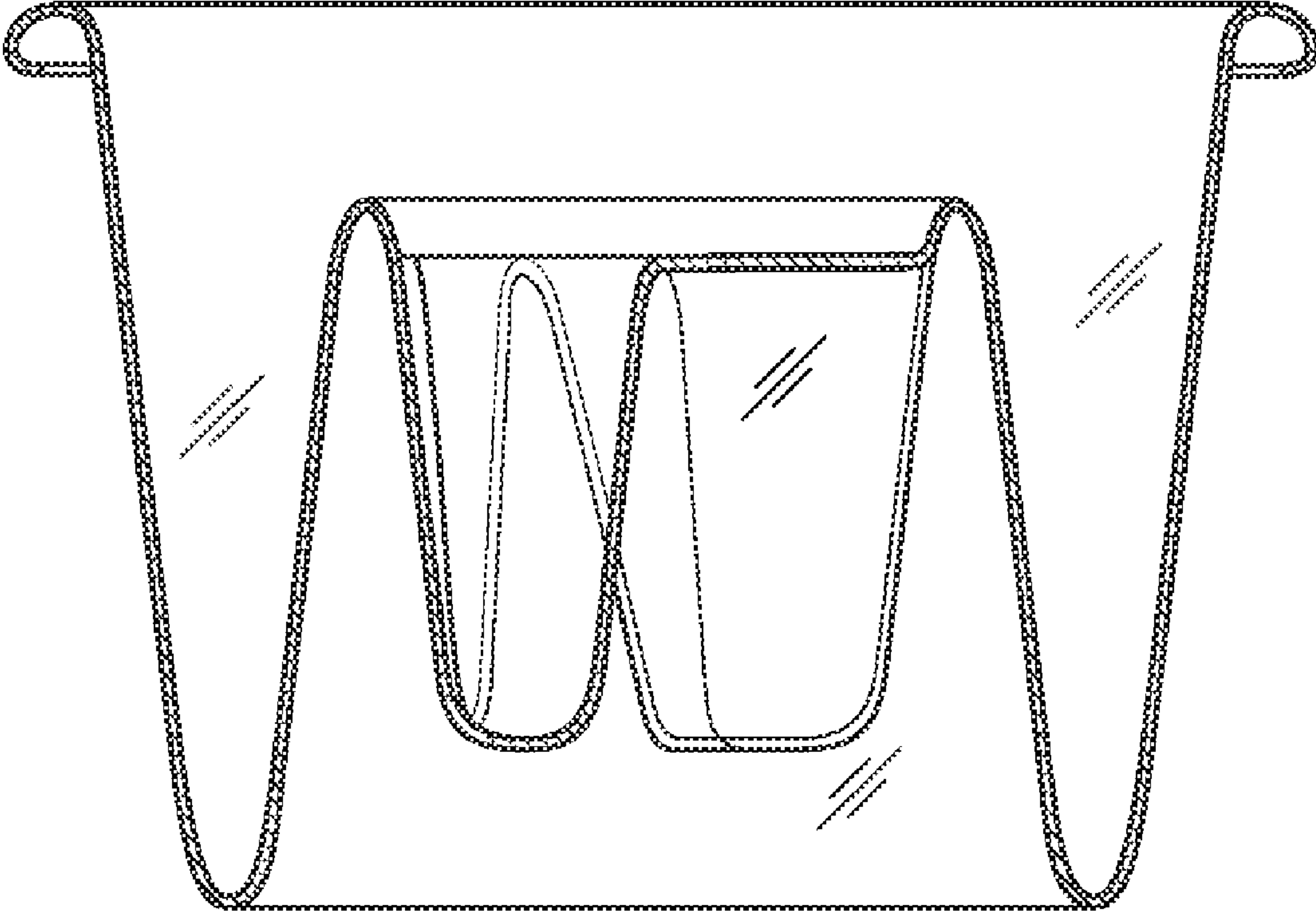




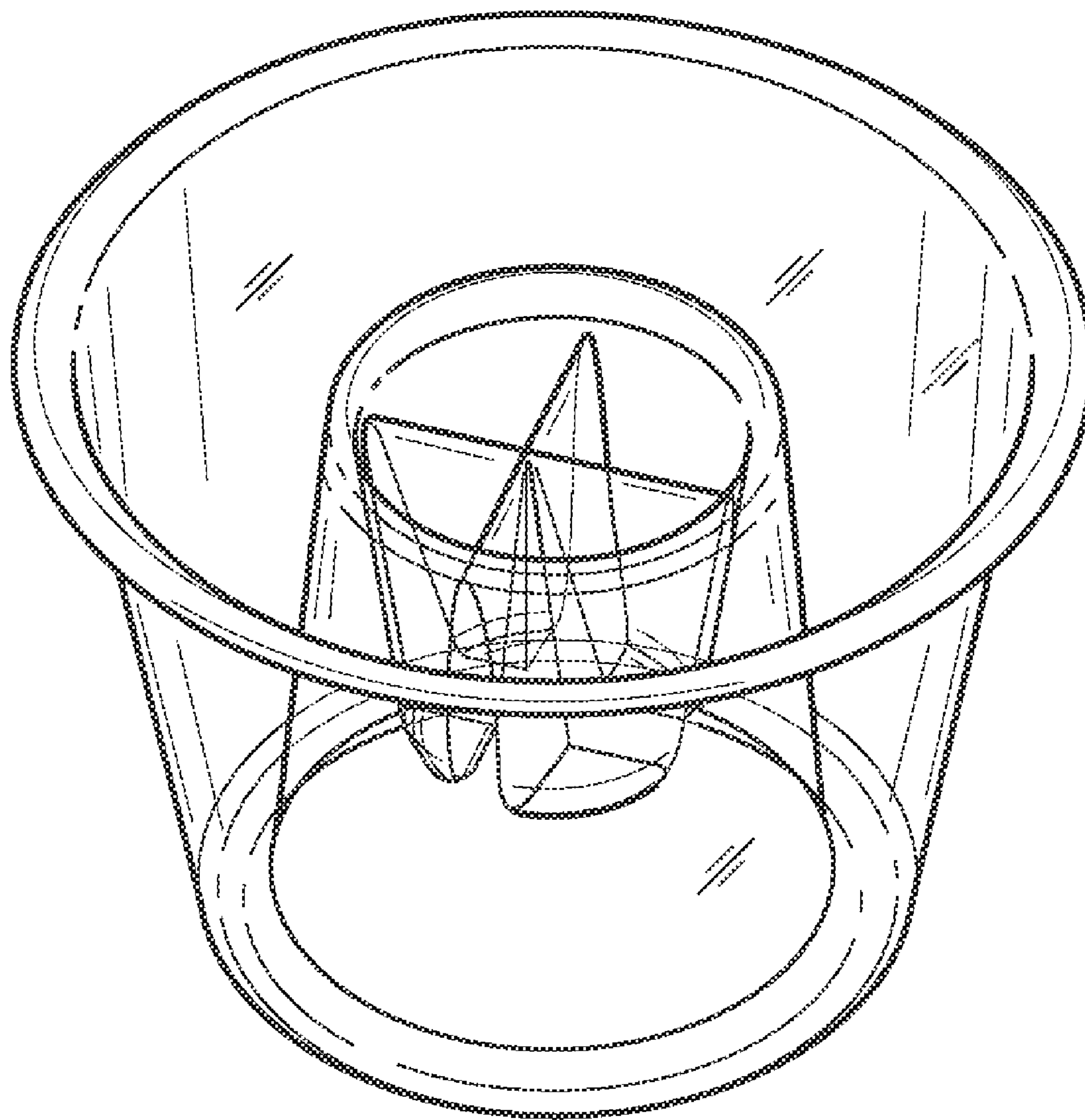
**FIG. 10**



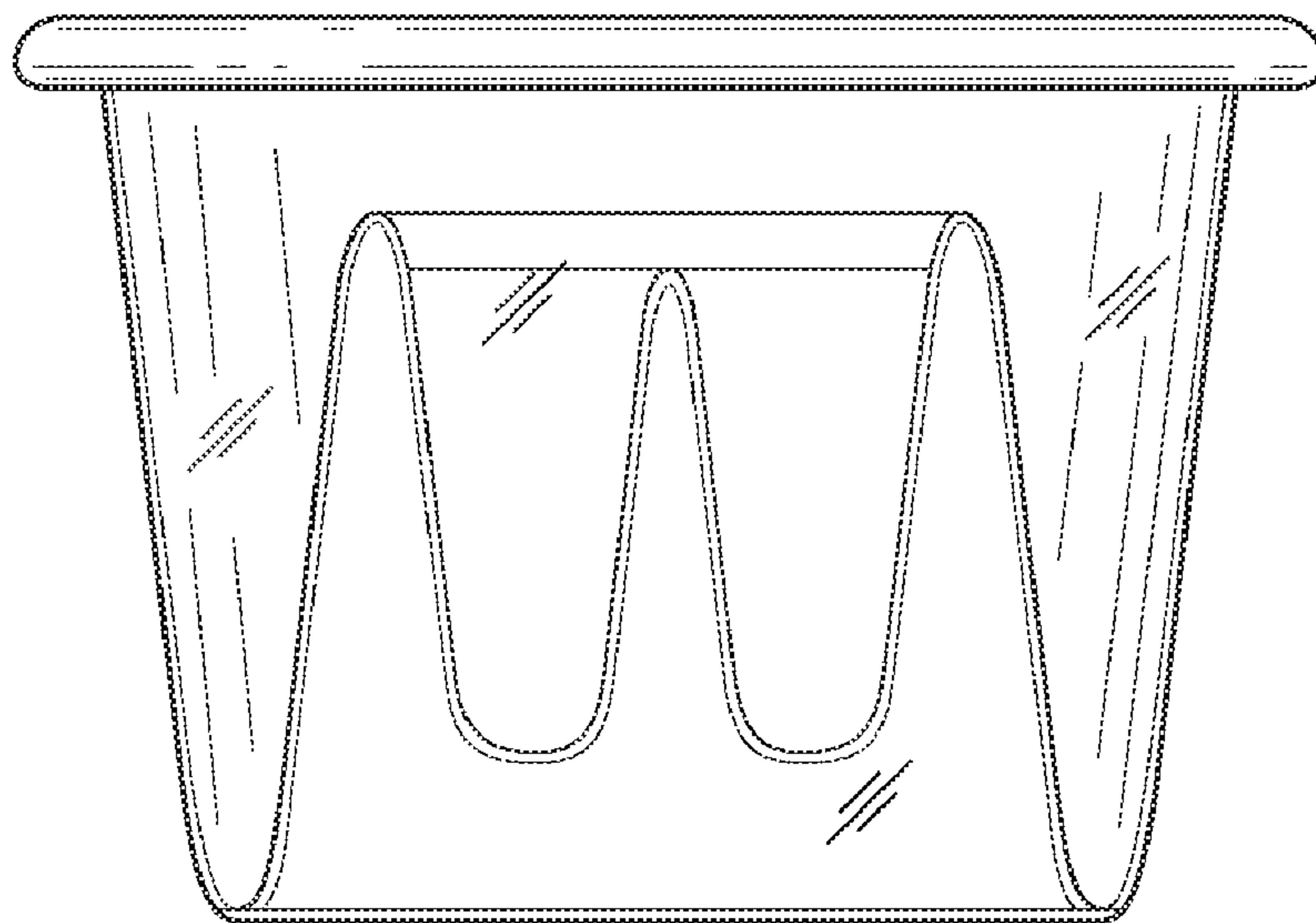
**FIG. 11**



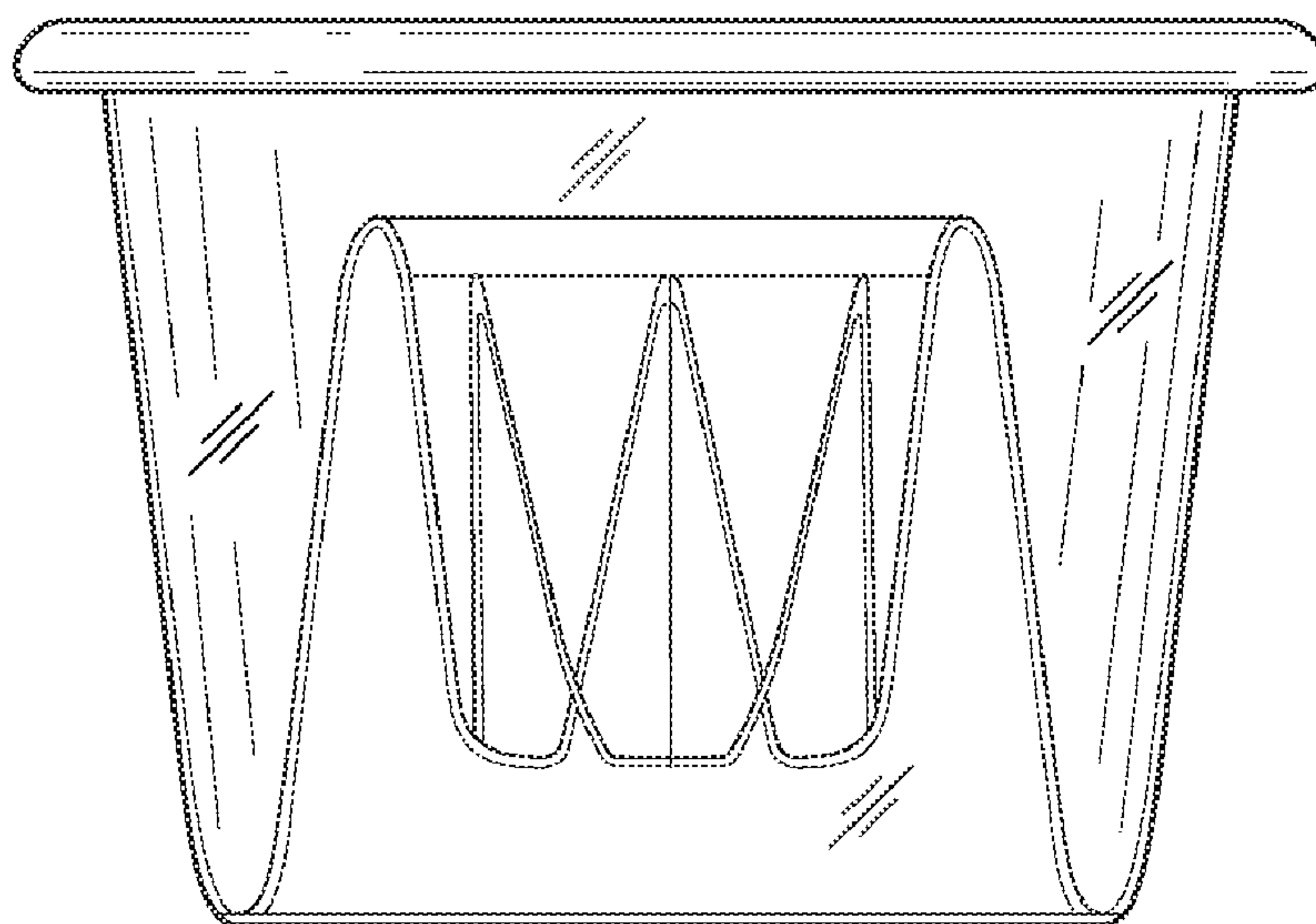
**FIG. 12**



**FIG. 13**

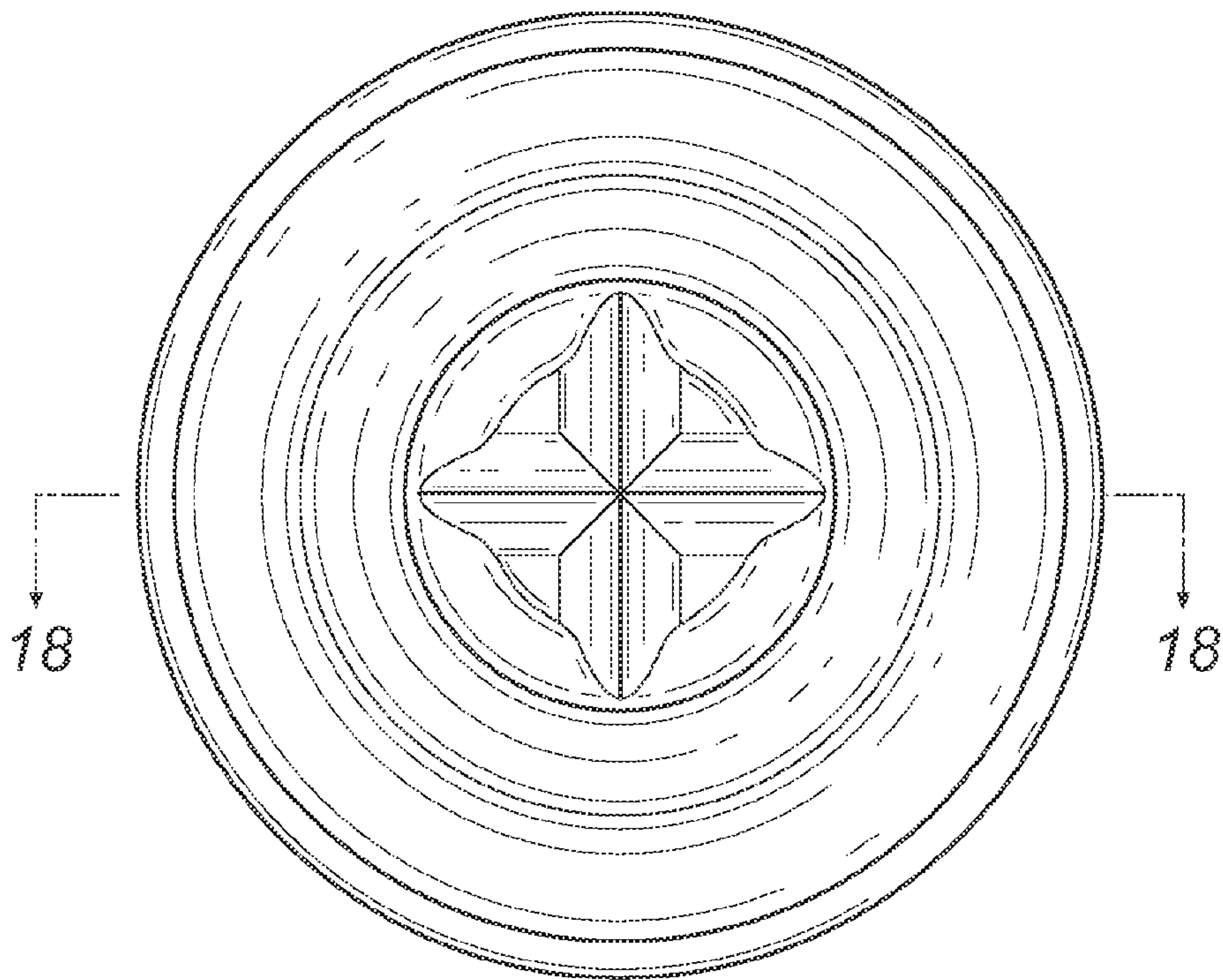


**FIG. 14**

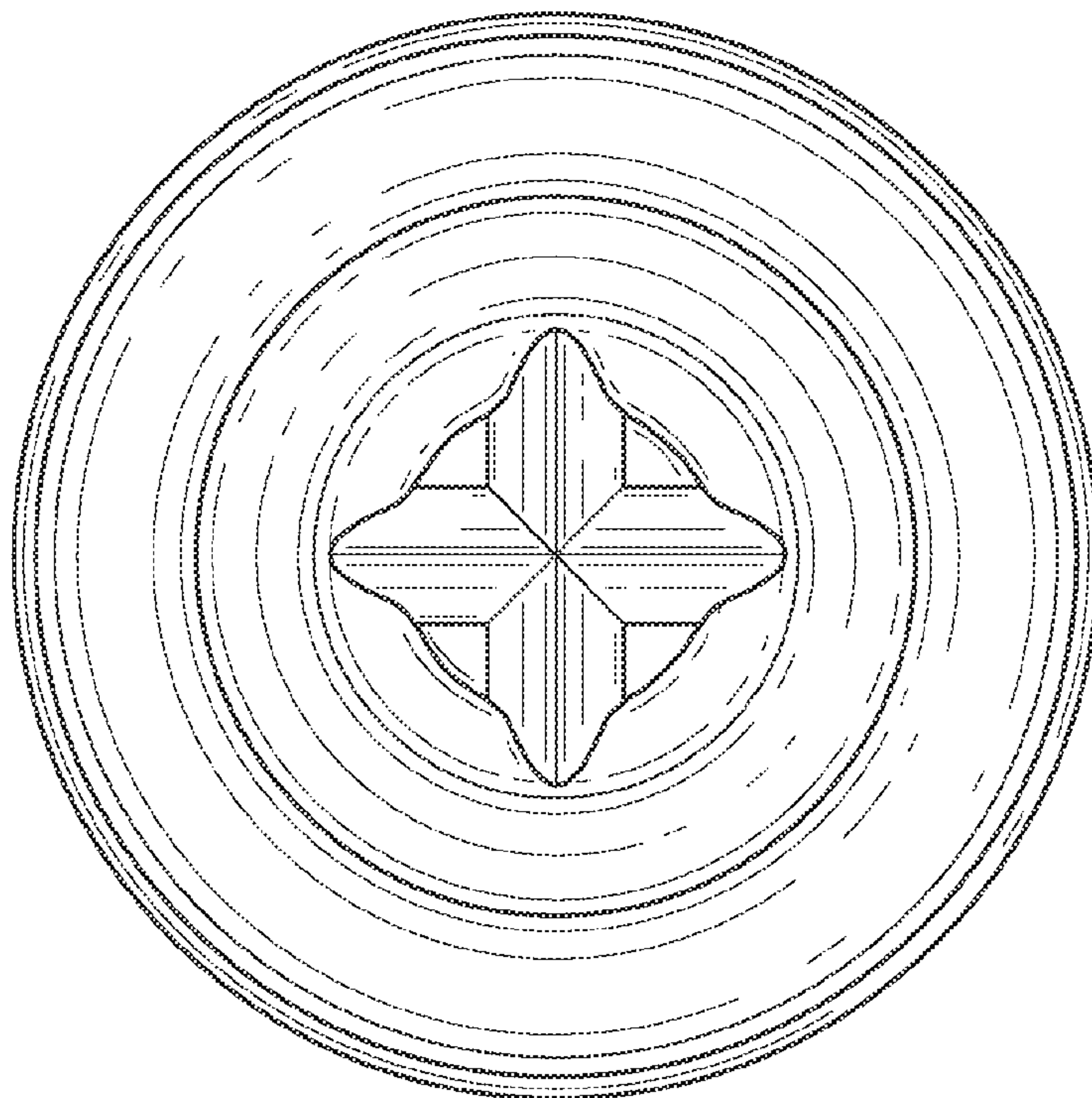


**FIG. 15**

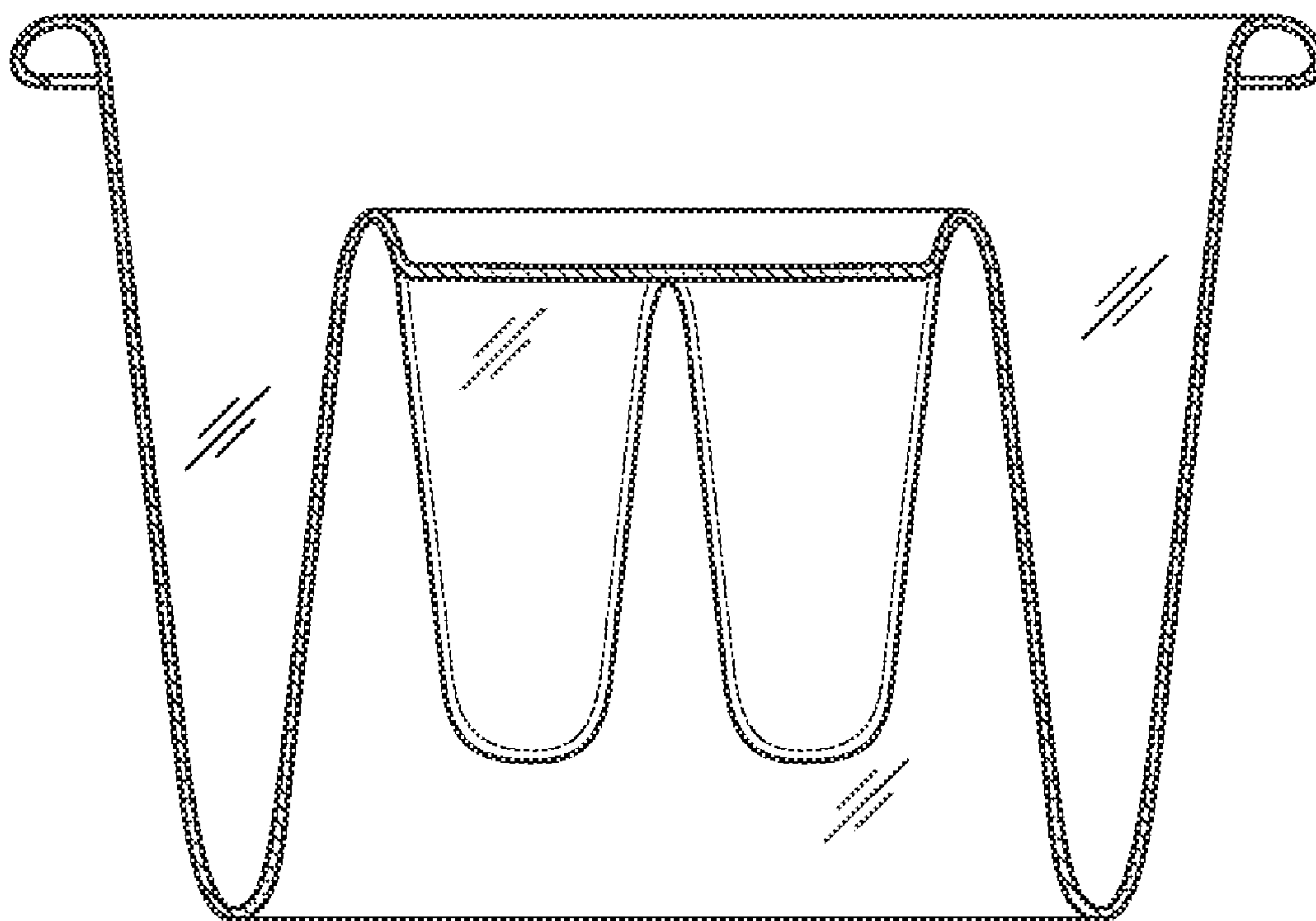




**FIG. 16**



**FIG. 17**



**FIG. 18**