



US00D576834S

(12) **United States Design Patent**
Shin et al.

(10) **Patent No.:** **US D576,834 S**

(45) **Date of Patent:** **** Sep. 16, 2008**

(54) **MICROWAVE OVEN**

(75) Inventors: **Dae Kee Shin**, Seoul (KR); **Ki Hun Kim**, Seoul (KR)

(73) Assignee: **LG Electronics Inc.**, Seoul (KR)

(**) Term: **14 Years**

(21) Appl. No.: **29/282,416**

(22) Filed: **Jul. 19, 2007**

(51) **LOC (8) Cl.** **07-02**

(52) **U.S. Cl.** **D7/351**

(58) **Field of Classification Search** D7/350.1,
D7/350.3, 350.4, 351, 402, 405; 126/19 M,
126/21 R, 275 E, 273 A; 219/757, 758
See application file for complete search history.

(56) **References Cited**

U.S. PATENT DOCUMENTS

D511,267 S	*	11/2005	Pino	D7/351
D518,681 S	*	4/2006	Shin	D7/351
D522,800 S	*	6/2006	Lee et al.	D7/351
D531,447 S	*	11/2006	Lee et al.	D7/350.4
D532,245 S	*	11/2006	Shin	D7/351

D532,645 S	*	11/2006	Lee	D7/351
D540,105 S	*	4/2007	Lee et al.	D7/351
D540,615 S	*	4/2007	Jeon, III	D7/351
D561,529 S	*	2/2008	Suh et al.	D7/405

* cited by examiner

Primary Examiner—Ruth McInroy

(74) *Attorney, Agent, or Firm*—Birch, Stewart, Kolasch & Birch, LLP

(57) **CLAIM**

The ornamental design for a microwave oven, as shown.

DESCRIPTION

FIG. 1 is a front, right perspective view of the microwave oven showing our new design;

FIG. 2 is a front view thereof;

FIG. 3 is a rear view thereof;

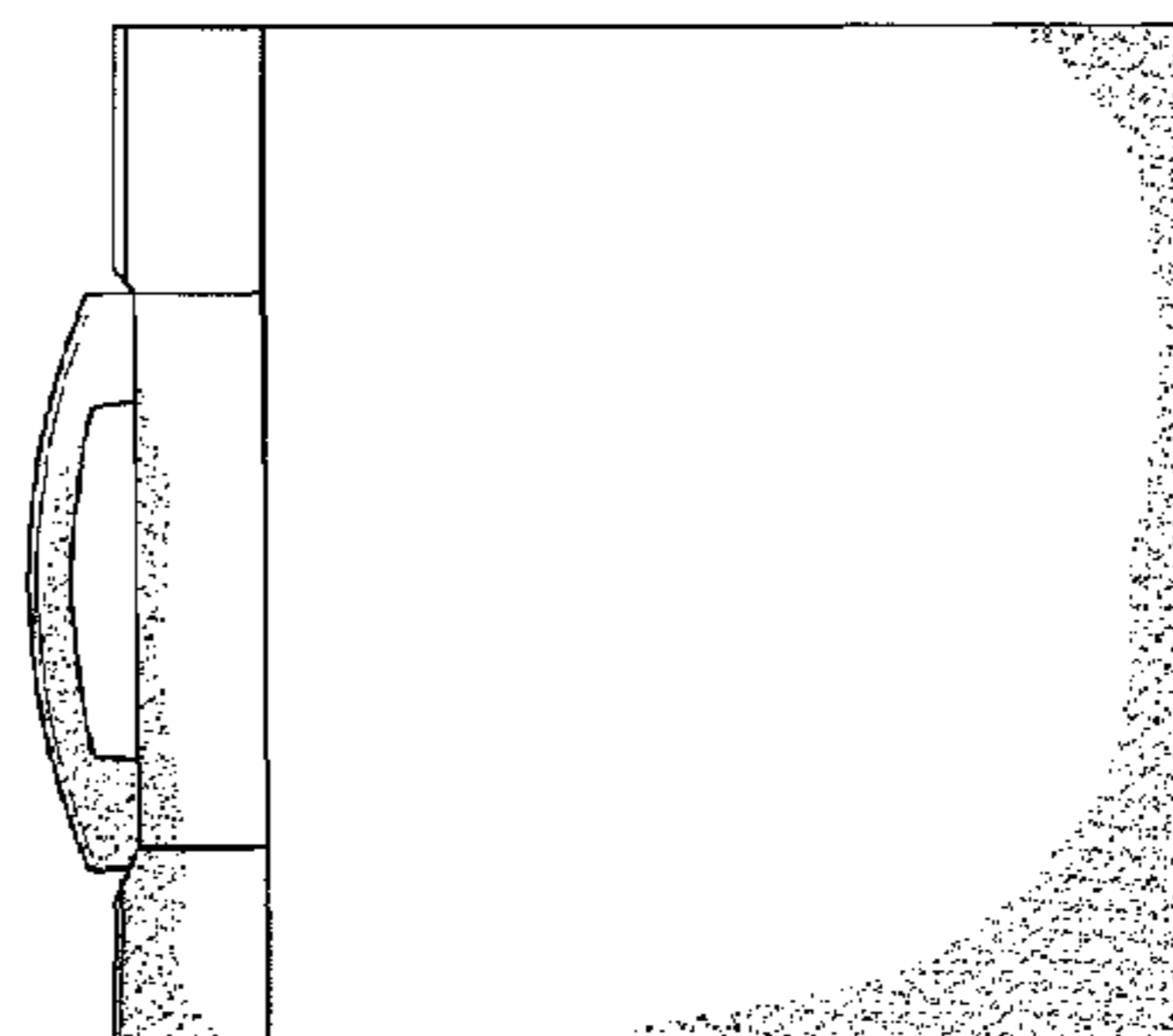
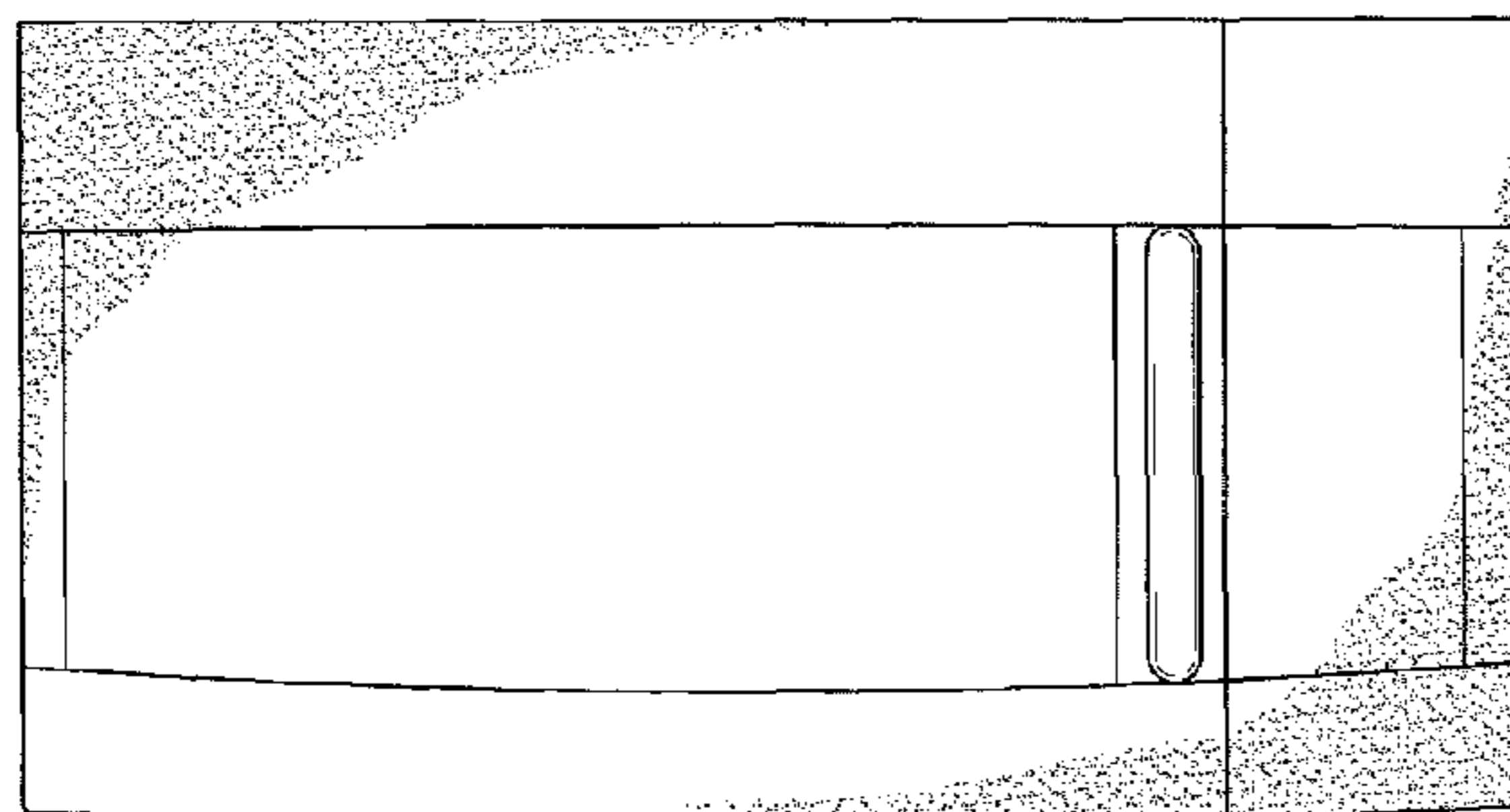
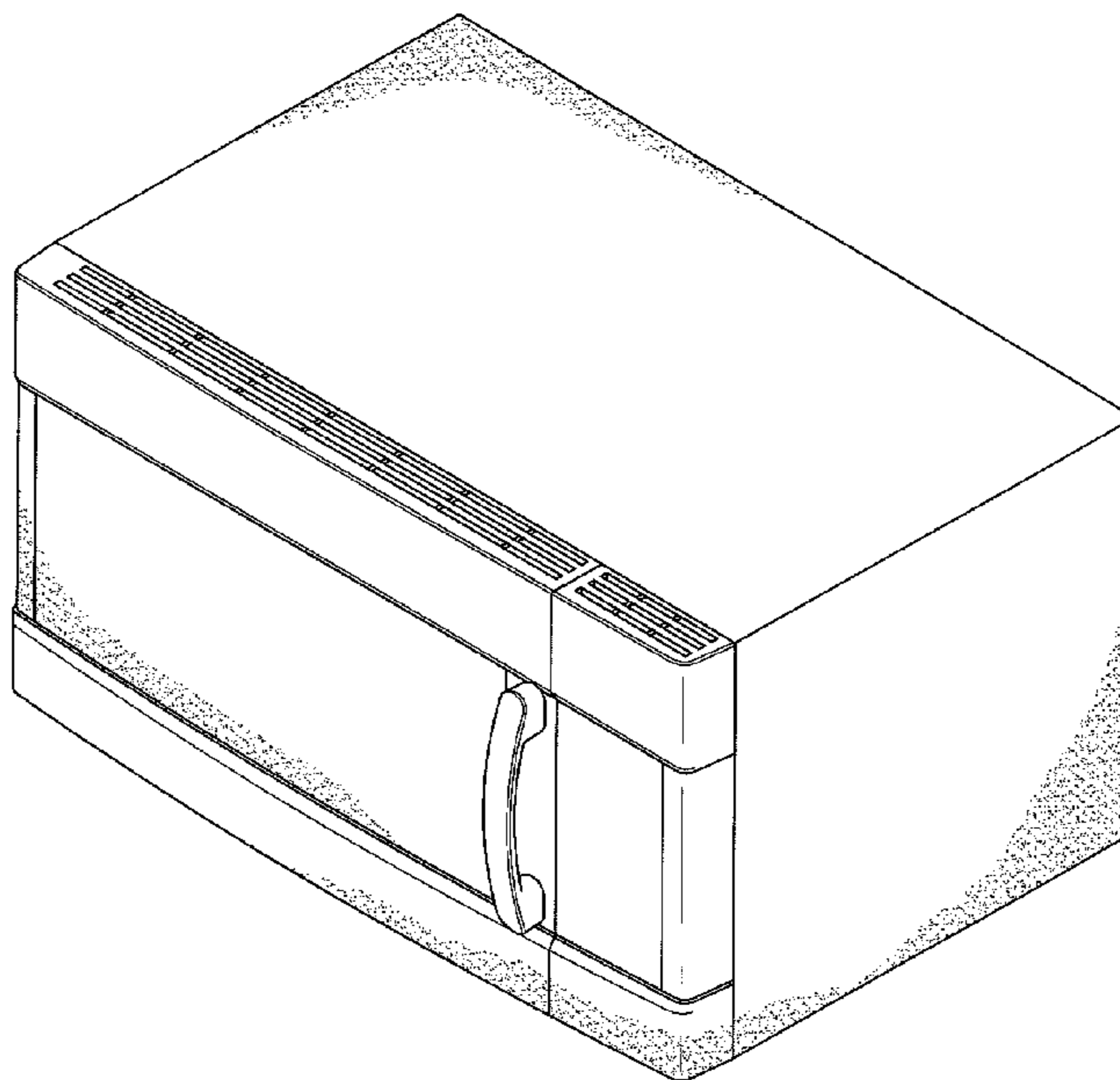
FIG. 4 is a left side view thereof;

FIG. 5 is a light side view thereof;

FIG. 6 is a top plan view thereof; and,

FIG. 7 is a bottom plan view thereof.

1 Claim, 4 Drawing Sheets



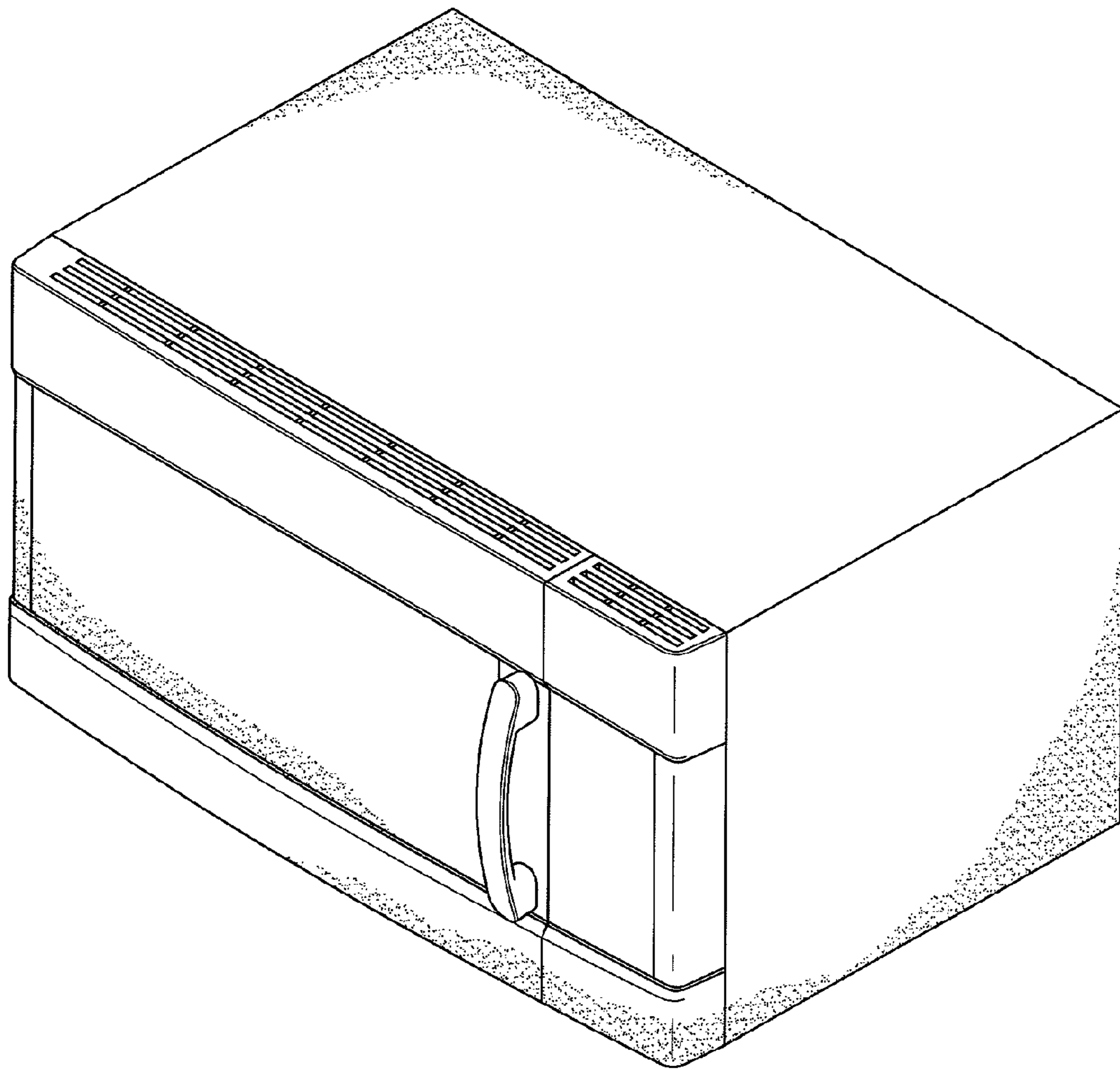


FIG.1

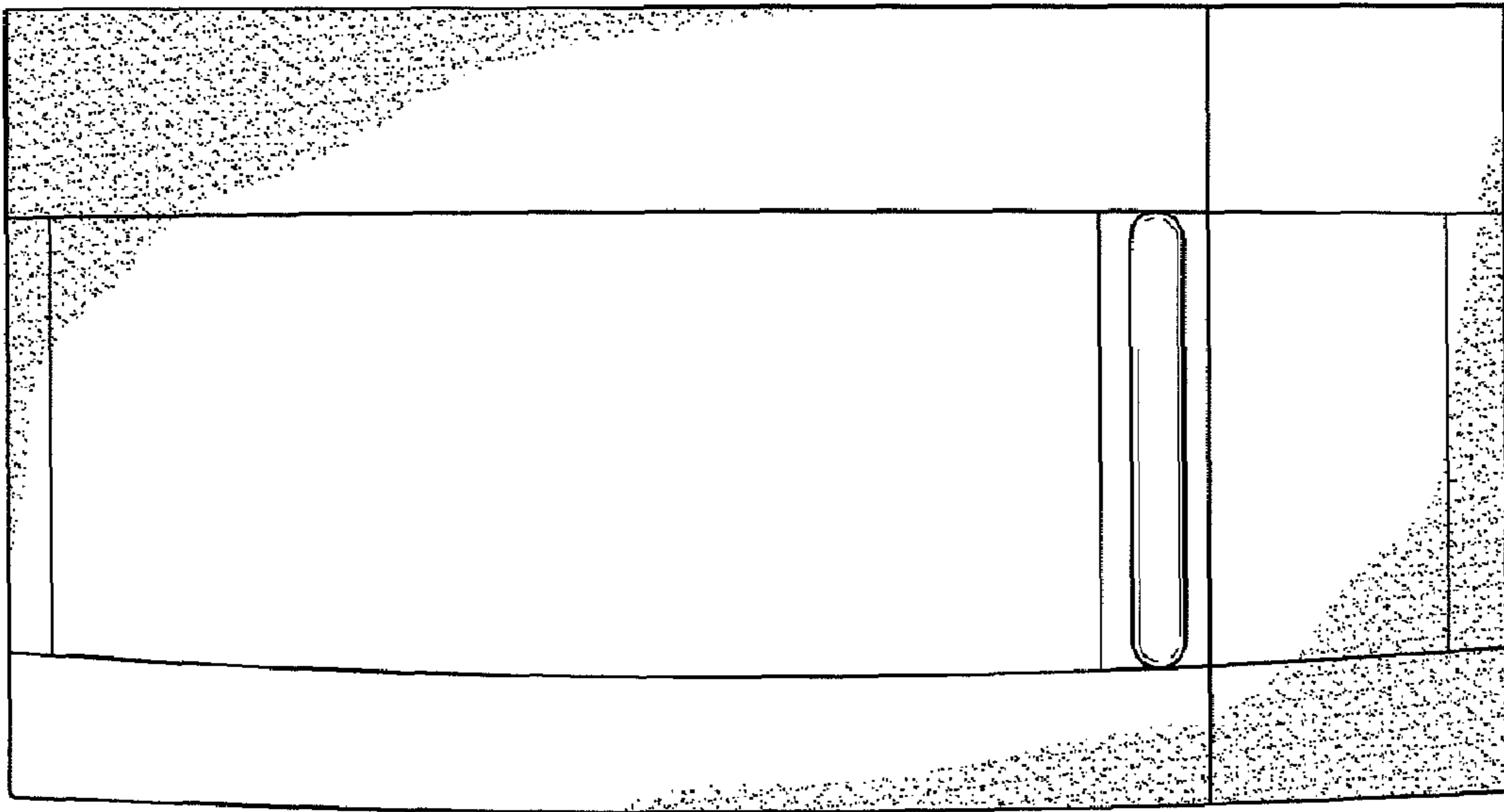


FIG. 2

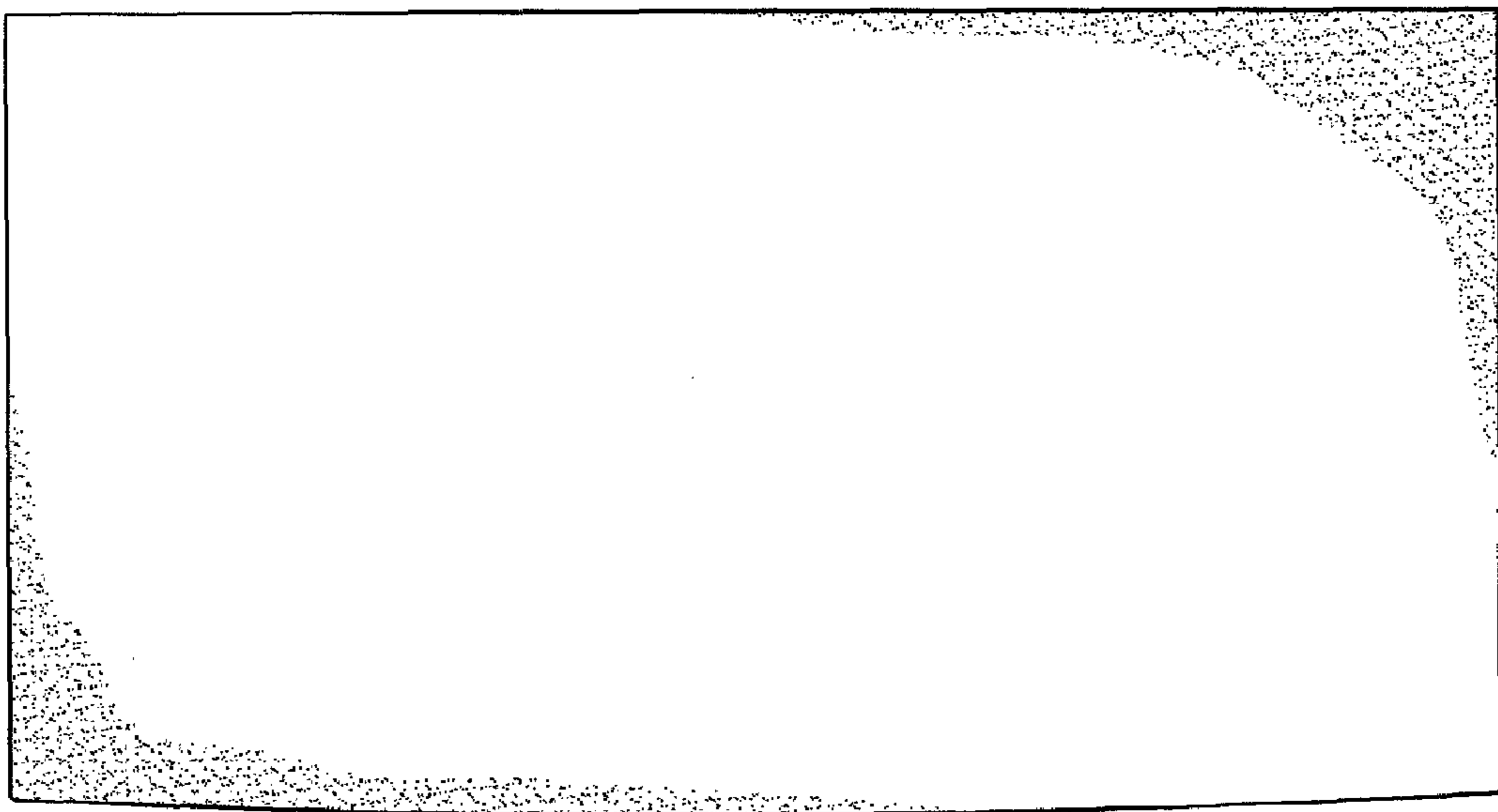


FIG. 3

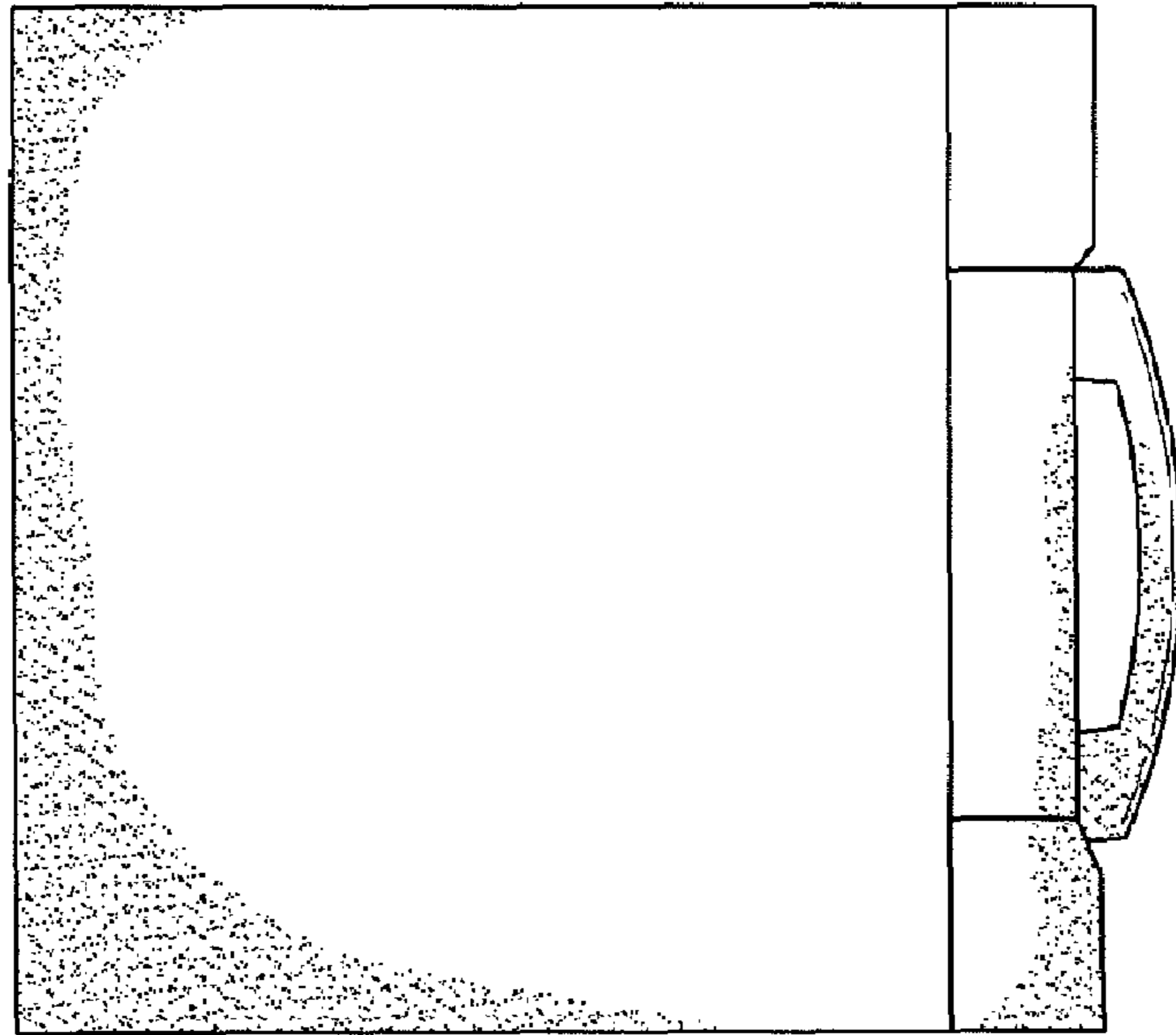


FIG. 4

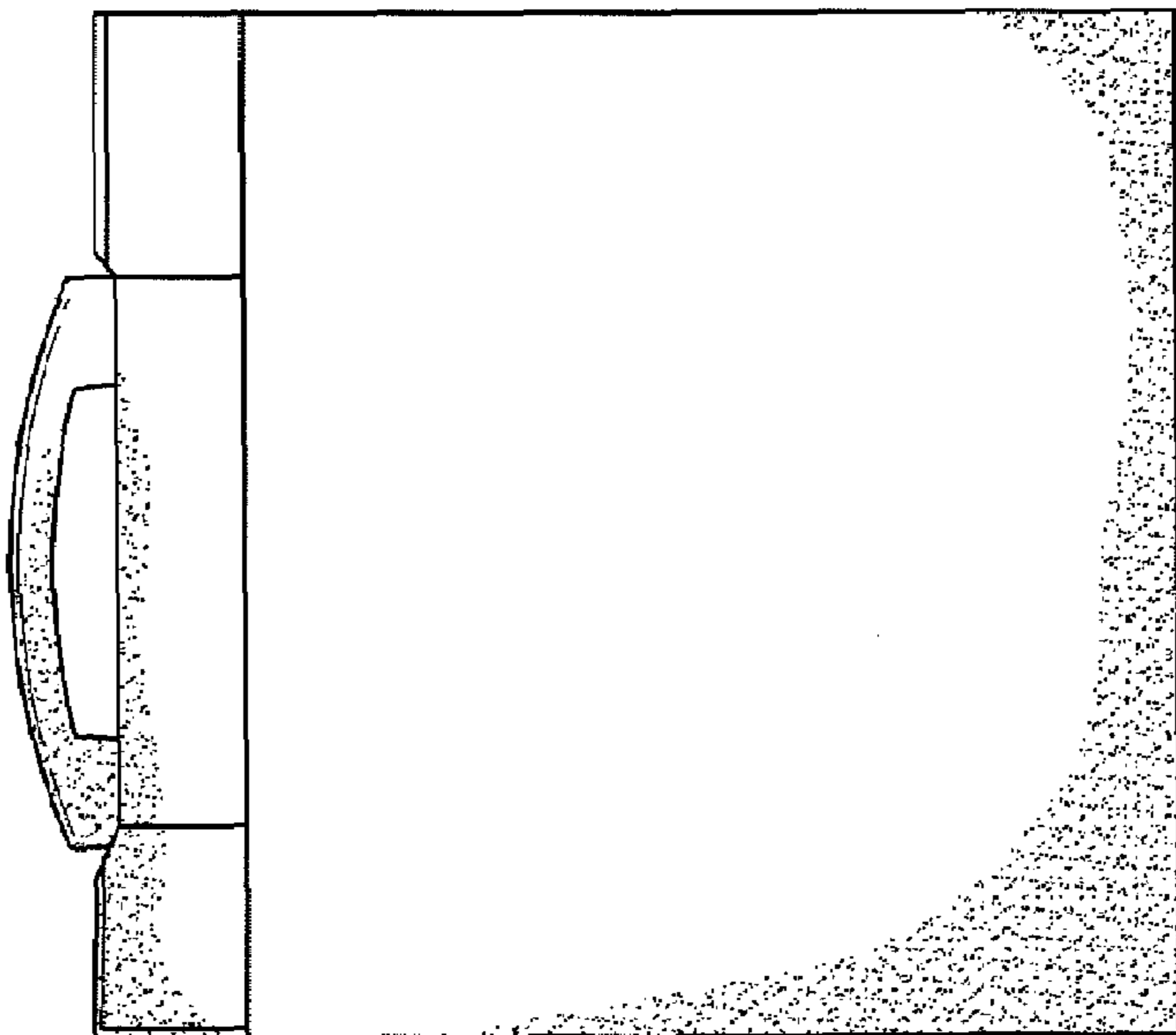


FIG. 5

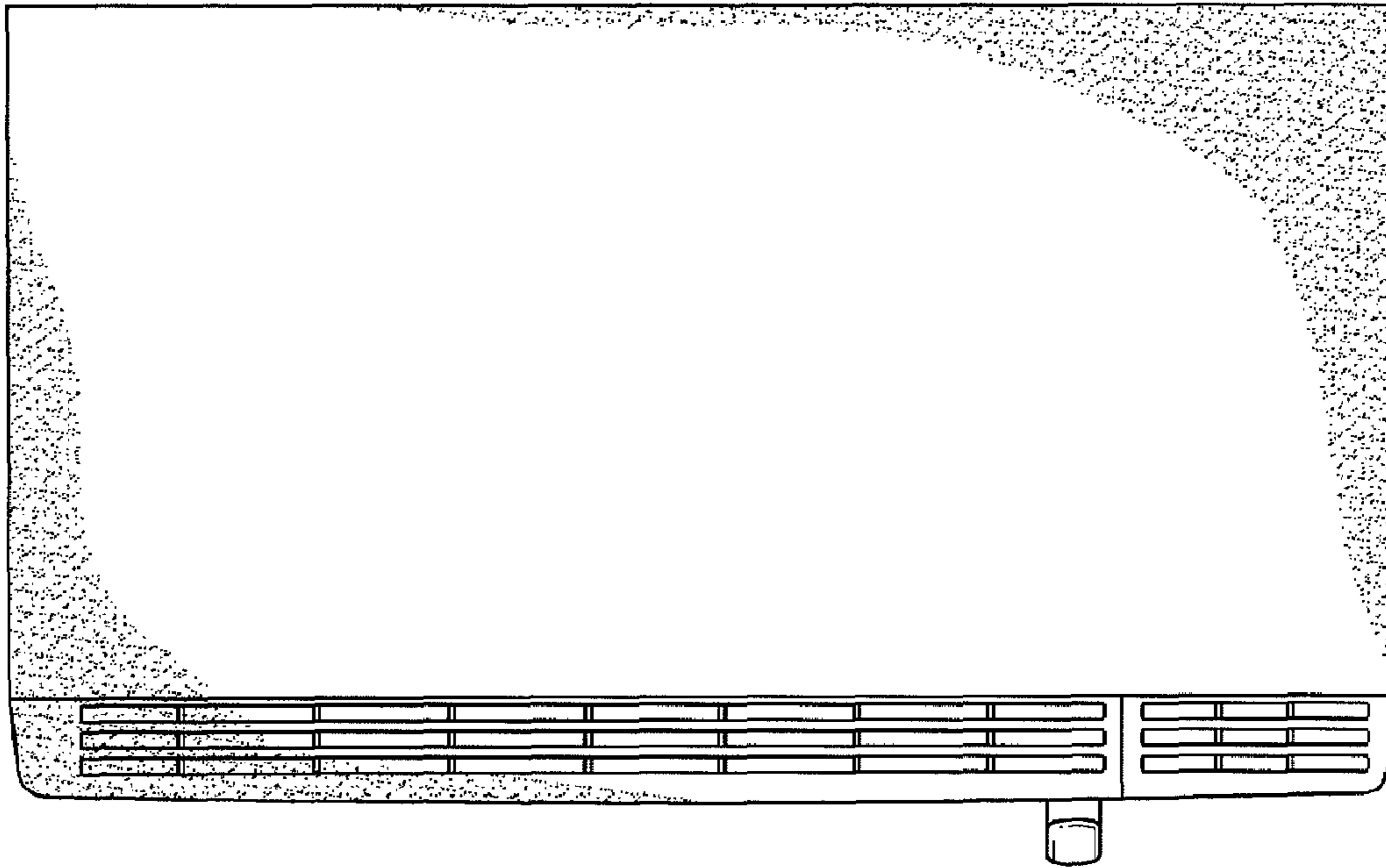


FIG.6

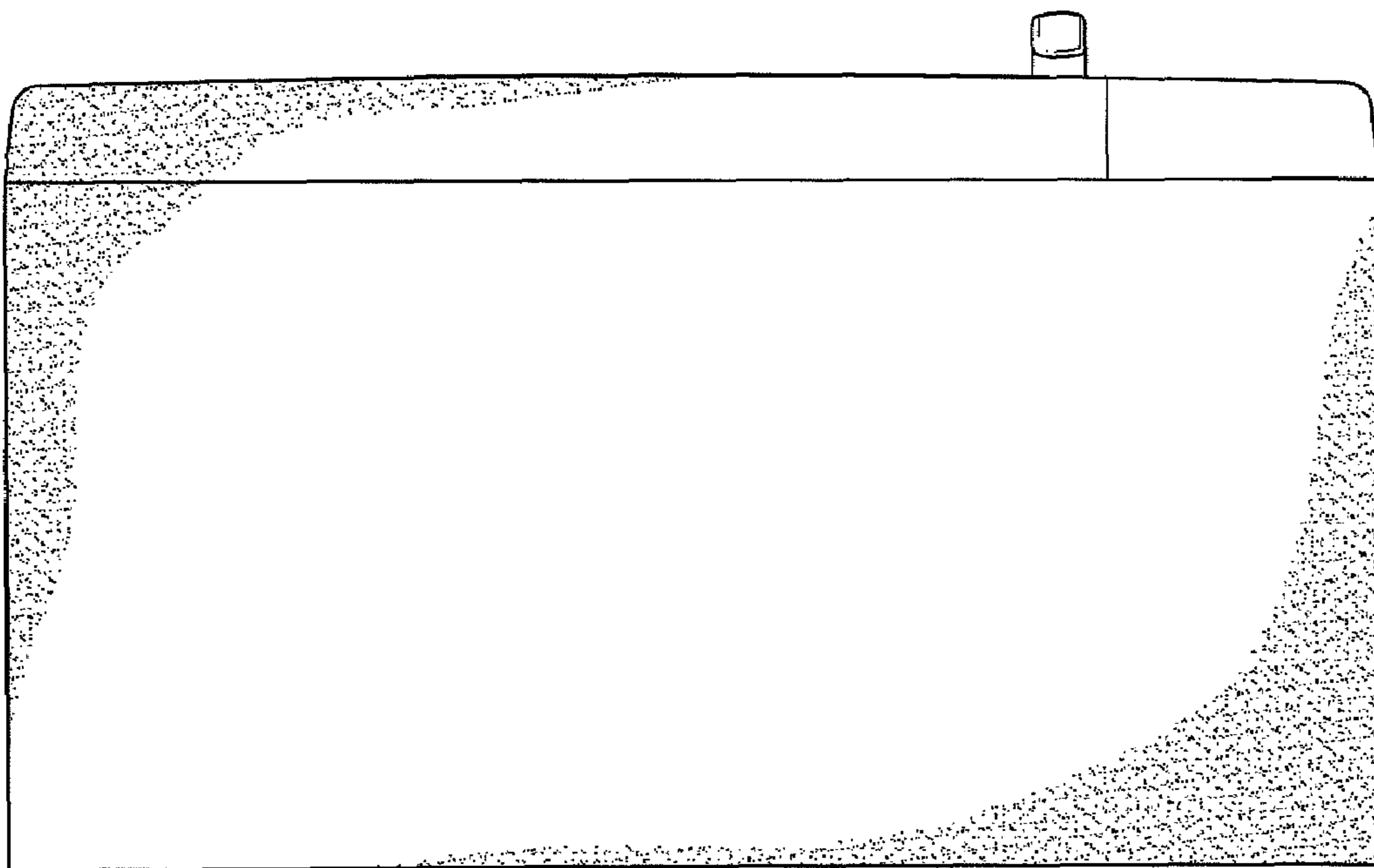


FIG.7