



US00D576833S

(12) **United States Design Patent**
Mansell

(10) **Patent No.:** **US D576,833 S**

(45) **Date of Patent:** **** Sep. 16, 2008**

(54) **BEER KEG GRILL**

(76) Inventor: **Patrick Mansell**, 117 Frinnie La.,
Easley, SC (US) 29640

(**) Term: **14 Years**

(21) Appl. No.: **29/289,529**

(22) Filed: **Jul. 24, 2007**

(51) **LOC (8) Cl.** **07-02**

(52) **U.S. Cl.** **D7/332**

(58) **Field of Classification Search** D7/340,
D7/347, 348, 332, 334–337, 339, 323, 402–405;
126/29, 25 R, 25 A, 25 AA, 9 R, 9 B, 37 R,
126/41 R, 40, 33, 369.2, 377.1, 276, 268;
99/450, 481–482

See application file for complete search history.

(56) **References Cited**

U.S. PATENT DOCUMENTS

2,146,381 A	2/1939	Rheem	
D210,354 S	3/1968	Cornelius	
D222,310 S *	10/1971	Zaubrecher D7/332
4,228,929 A	10/1980	Gross	
D277,041 S	1/1985	Nichols	
D336,714 S	6/1993	Brossia et al.	
D374,959 S	10/1996	Mull	
D395,202 S	6/1998	Ochs, Sr.	
D443,464 S *	6/2001	Davis D7/334
D463,948 S *	10/2002	Innes D7/332
D486,348 S *	2/2004	Zhu D7/332
D526,208 S	8/2006	Klein	

D548,513 S * 8/2007 Huang D7/332
D550,022 S * 9/2007 Amajuwon et al. D7/332
2007/0199555 A1 * 8/2007 Gregory 126/9 R

* cited by examiner

Primary Examiner—Ruth McInroy

(74) *Attorney, Agent, or Firm*—Robert R. Reed

(57) **CLAIM**

The ornamental design for a beer keg grill, as shown and described.

DESCRIPTION

FIG. 1 is a perspective view of a beer keg grill showing my new design;

FIG. 2 is a front elevation view of the beer keg grill thereof of FIG. 1, the opposite side being identical;

FIG. 3 is a left side elevation view of the beer keg grill of FIG. 1, the right side view being identical;

FIG. 4 is a top view of the beer keg grill of FIG. 1;

FIG. 5 is a bottom view of the beer keg grill of FIG. 1;

FIG. 6 is a exploded perspective view of the beer keg grill of FIG. 1; and,

FIG. 7 is a sectional view of the beer keg grill of FIG. 1 taken along line 7—7 in FIG. 3.

The broken line lettering in FIG. 2 represents the preferred location for graphical information placed on the beer keg grill and forms no part of the claimed design.

1 Claim, 6 Drawing Sheets

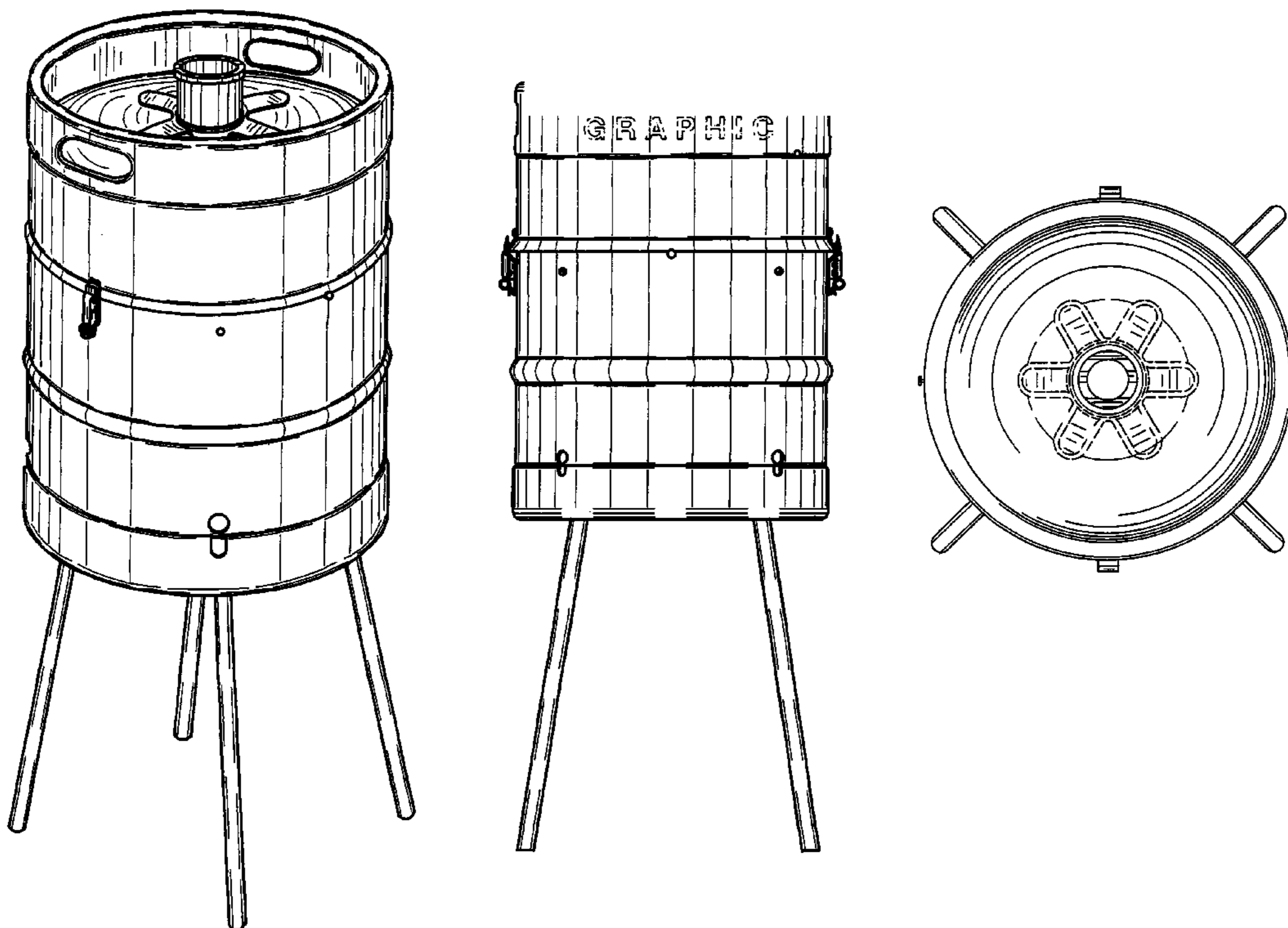


Fig. 1

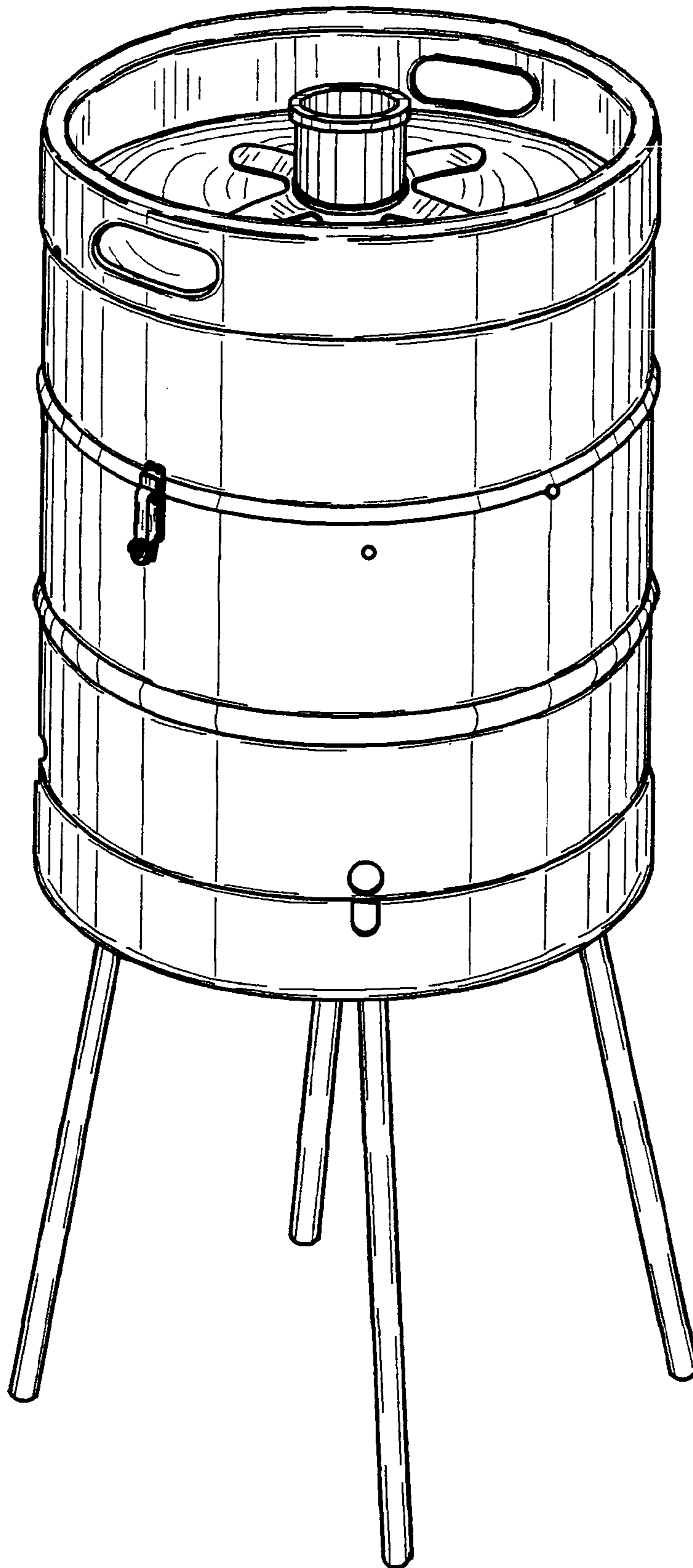


Fig. 2

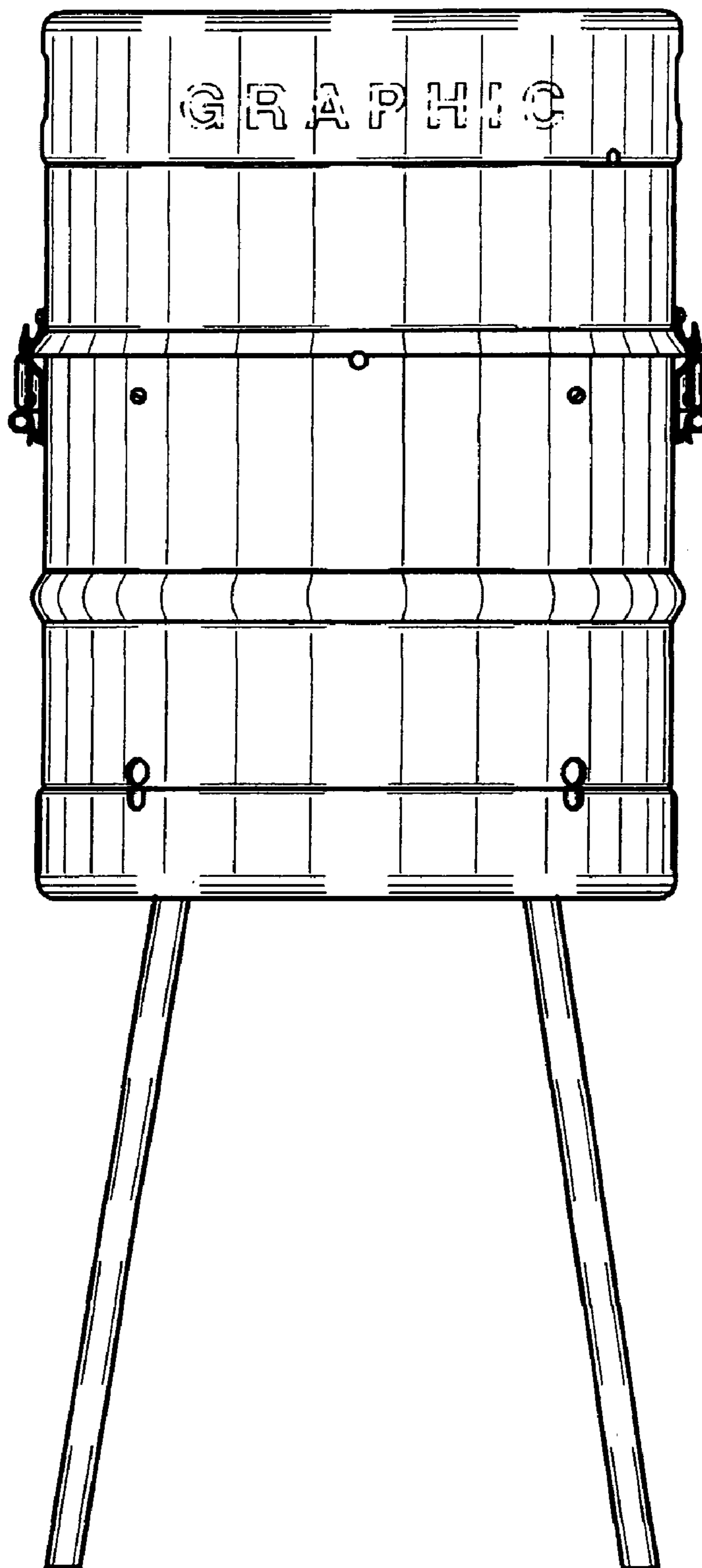


Fig. 3

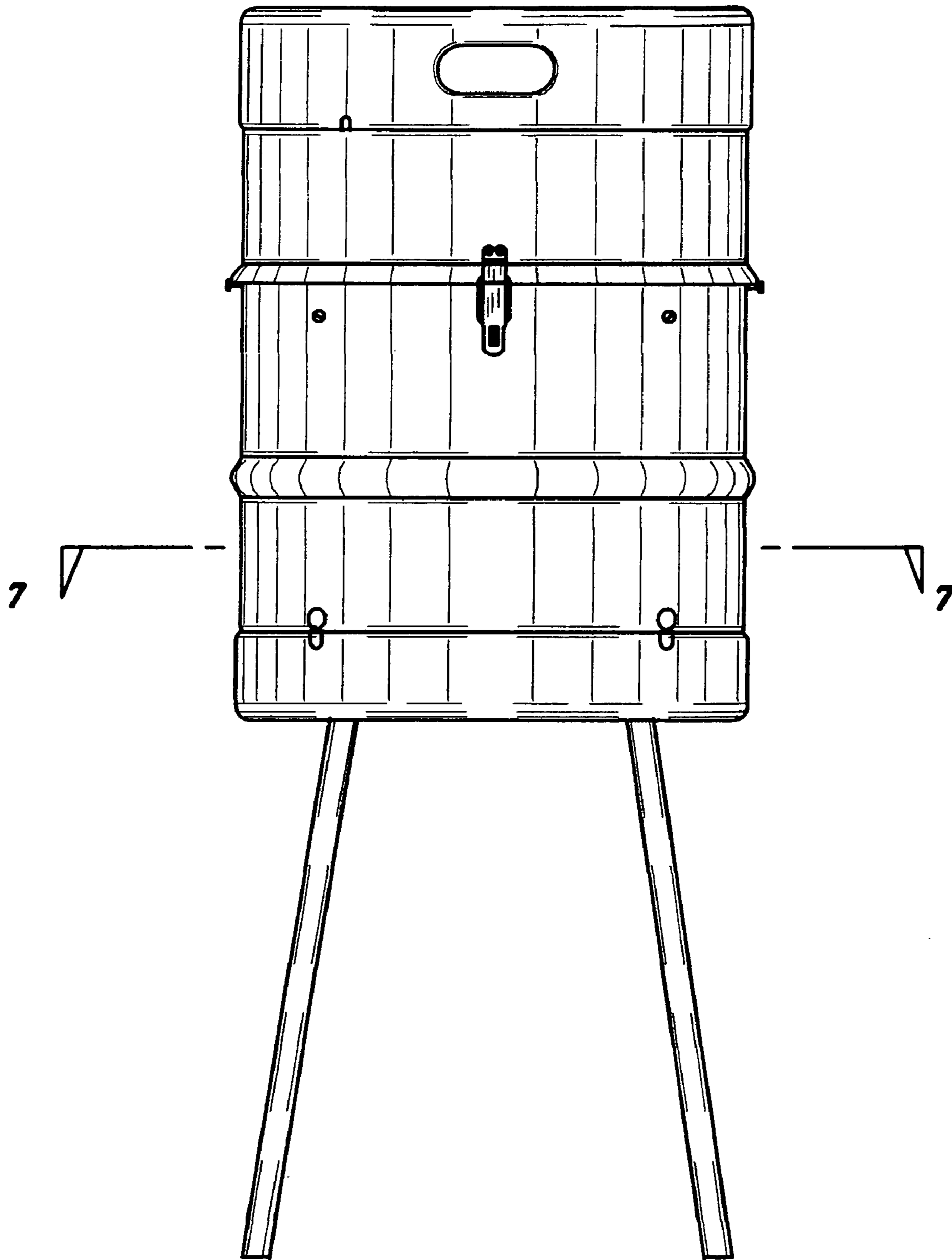


Fig. 4

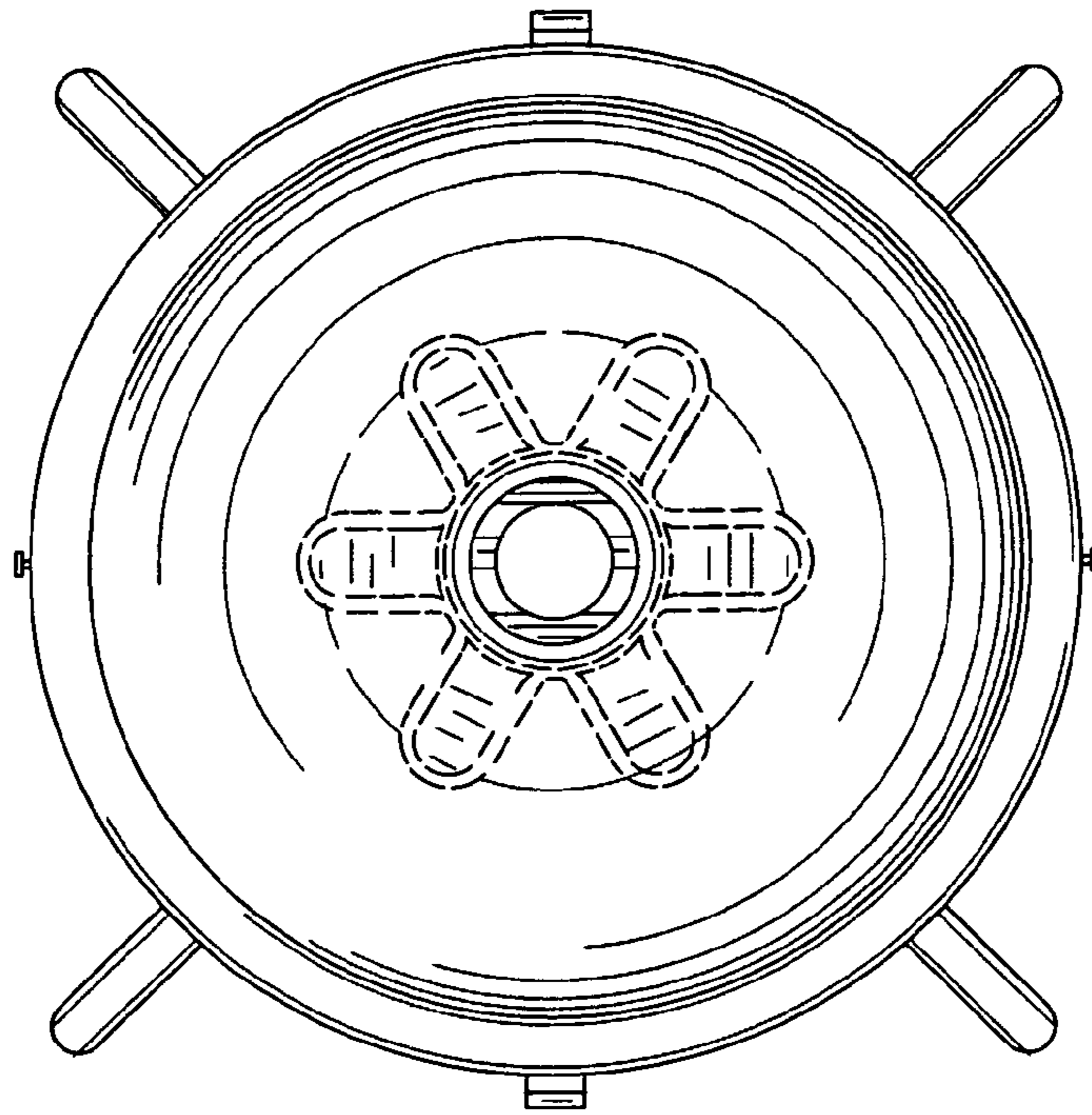


Fig. 5

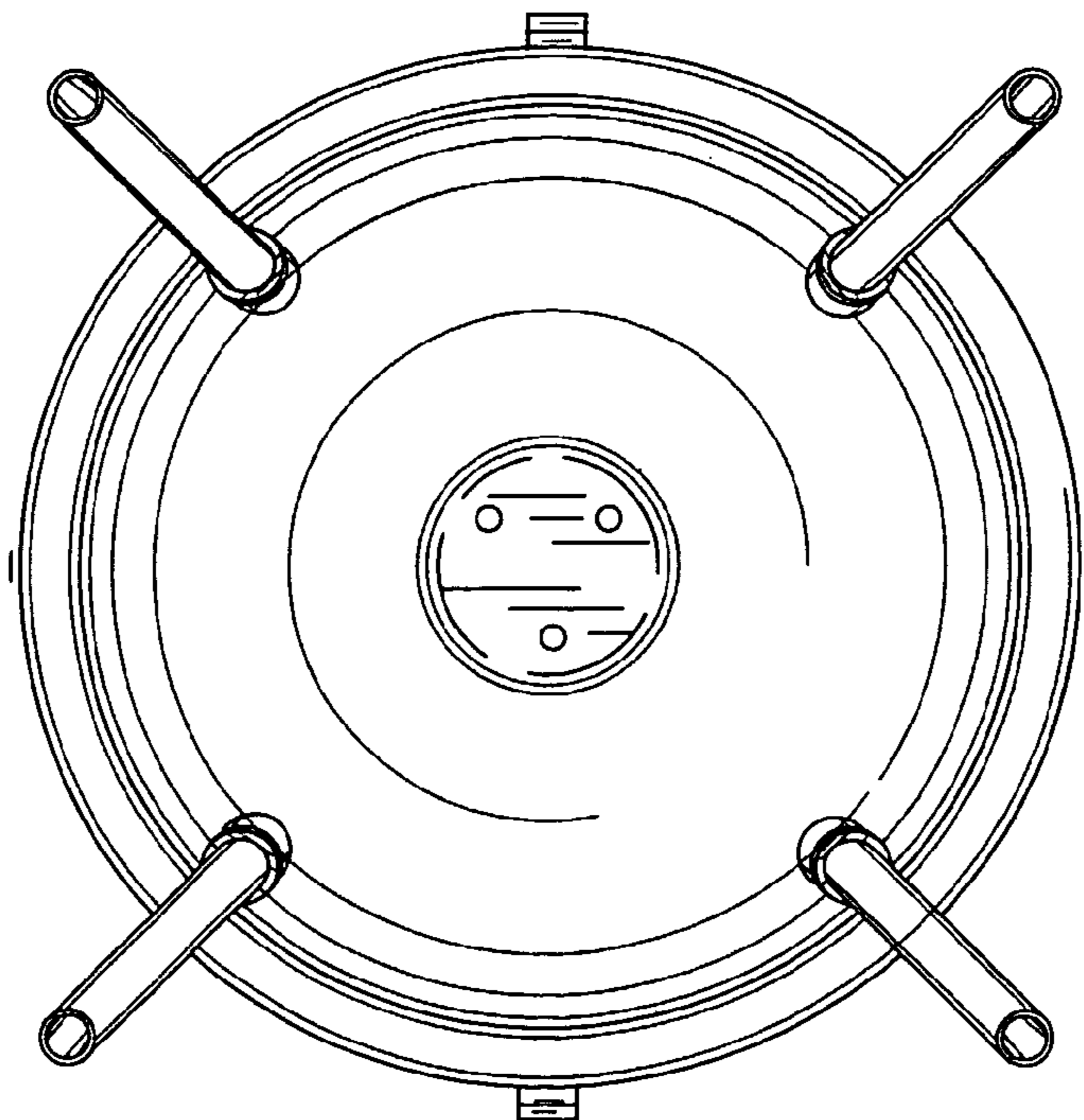


Fig. 6

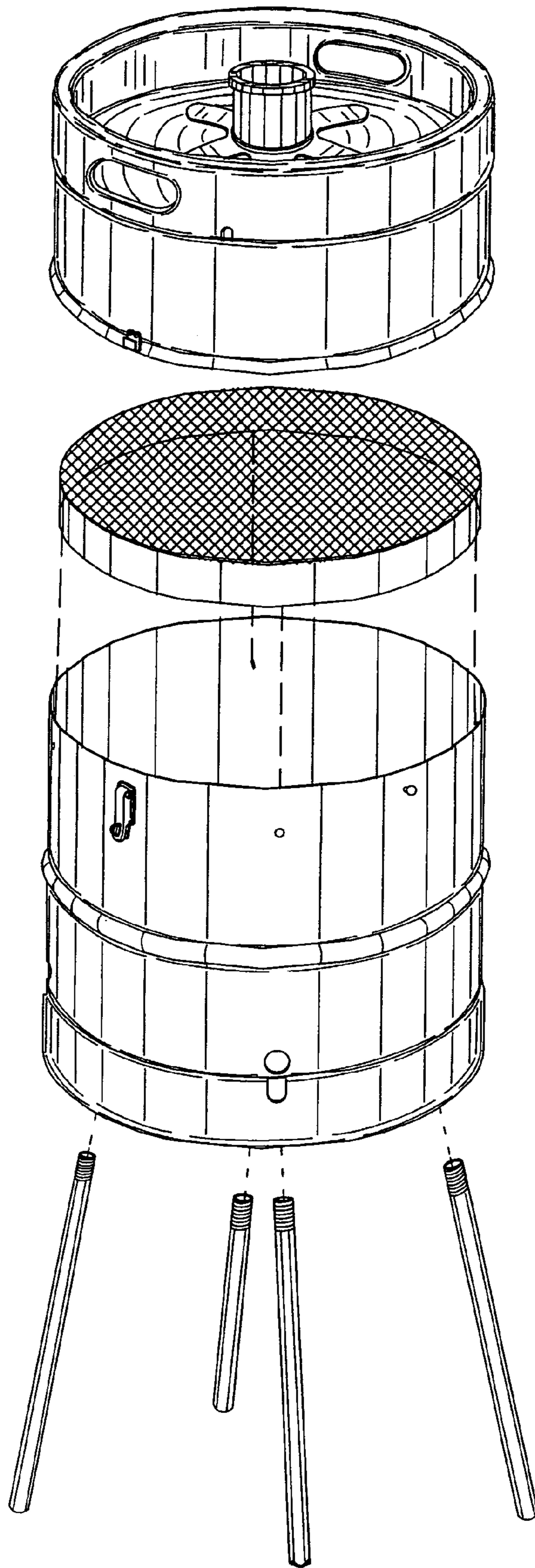


Fig. 7

