



US00D576831S

(12) **United States Design Patent**
Zasloff

(10) **Patent No.:** **US D576,831 S**
(45) **Date of Patent:** **** Sep. 16, 2008**

(54) **SKATEBOARD SHELF**

(76) **Inventor:** **David Zasloff**, 3170 N. Beachwood Dr.,
Los Angeles, CA (US) 90068

(**) **Term:** **14 Years**

(21) **Appl. No.:** **29/295,452**

(22) **Filed:** **Sep. 28, 2007**

(51) **LOC (8) Cl.** **06-04**

(52) **U.S. Cl.** **D6/574**

(58) **Field of Classification Search** D6/553,
D6/567, 572, 574; 108/28-29; 248/235,
248/309.1; 211/13.1, 42, 71.01, 86.01, 88.01,
211/88.03, 90.01, 90.03, 126.1, 133.5, 134,
211/153, 182

See application file for complete search history.

(56) **References Cited**

U.S. PATENT DOCUMENTS

- D501,621 S * 2/2005 Ayers et al. D6/574
- D509,393 S * 9/2005 Winig et al. D6/574
- D520,288 S * 5/2006 Grosfillex D6/574
- D520,795 S * 5/2006 Kivett D6/574

* cited by examiner

Primary Examiner—Brian N Vinson

(74) *Attorney, Agent, or Firm*—St. Onge Steward Johnston &
Reens LLC

(57) **CLAIM**

The ornamental design for skateboard shelf, as shown and
described.

DESCRIPTION

FIG. 1 is a front perspective view of a skateboard shelf in
accordance with the new design;

FIG. 2 is a front view thereof;

FIG. 3 is a rear view thereof;

FIG. 4 is a top view thereof;

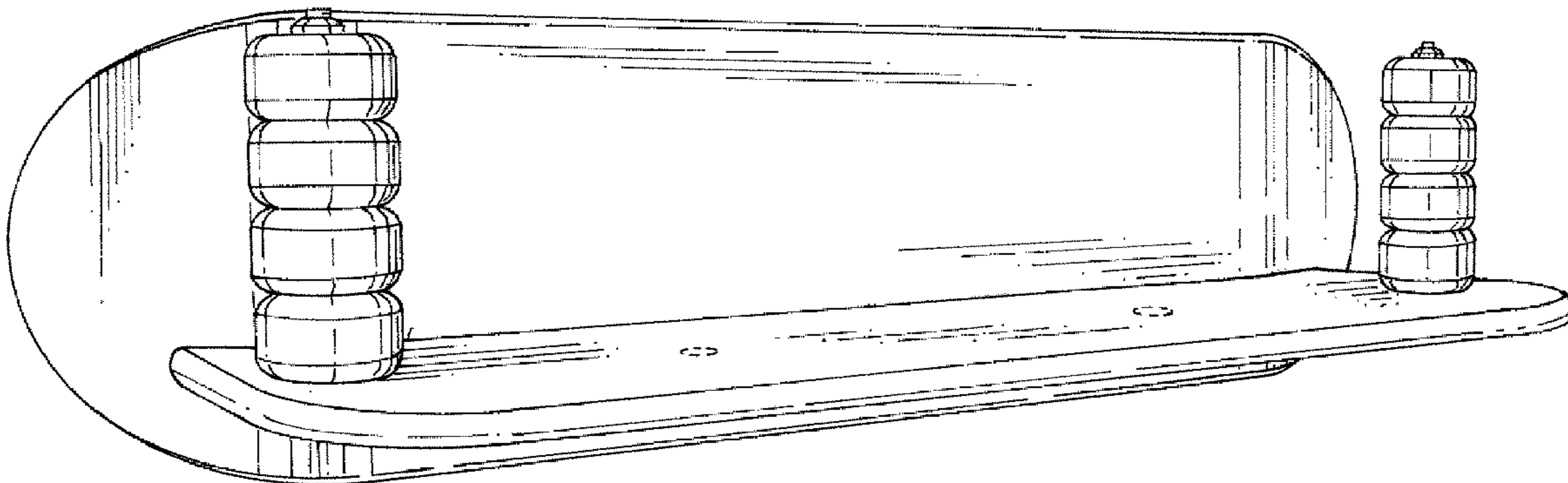
FIG. 5 is a bottom view thereof;

FIG. 6 is a left side view thereof; and,

FIG. 7 is a right side view thereof.

The broken-line disclosure in the views is for illustrative
purposes only and forms no part of the claimed design.

1 Claim, 4 Drawing Sheets



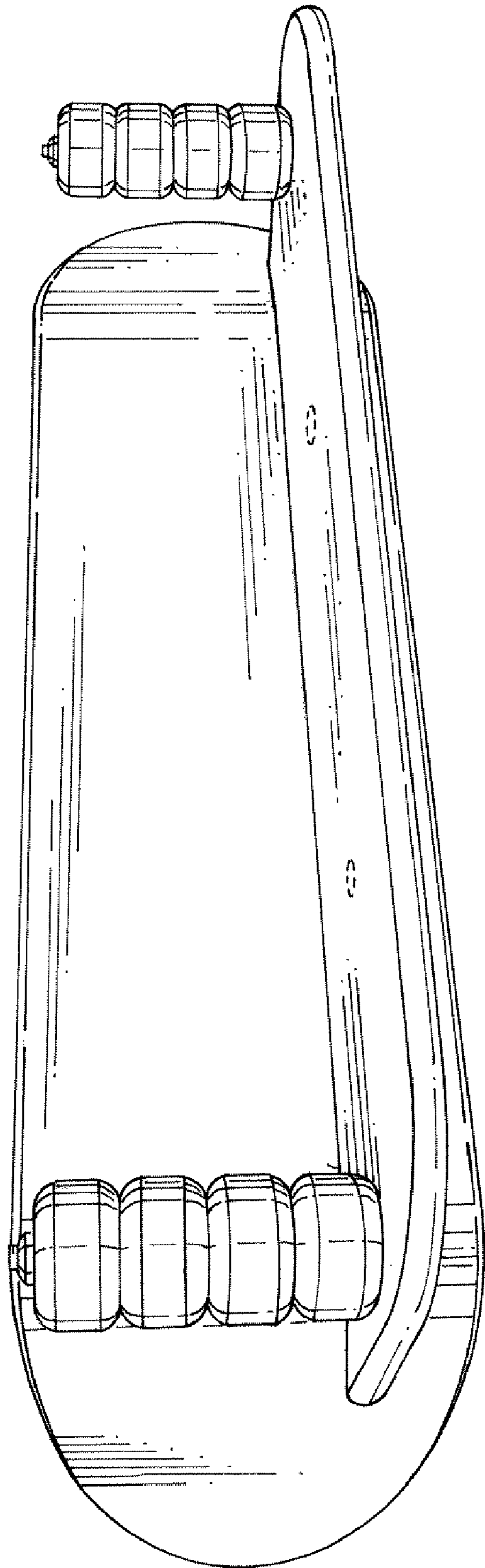


FIG. 1

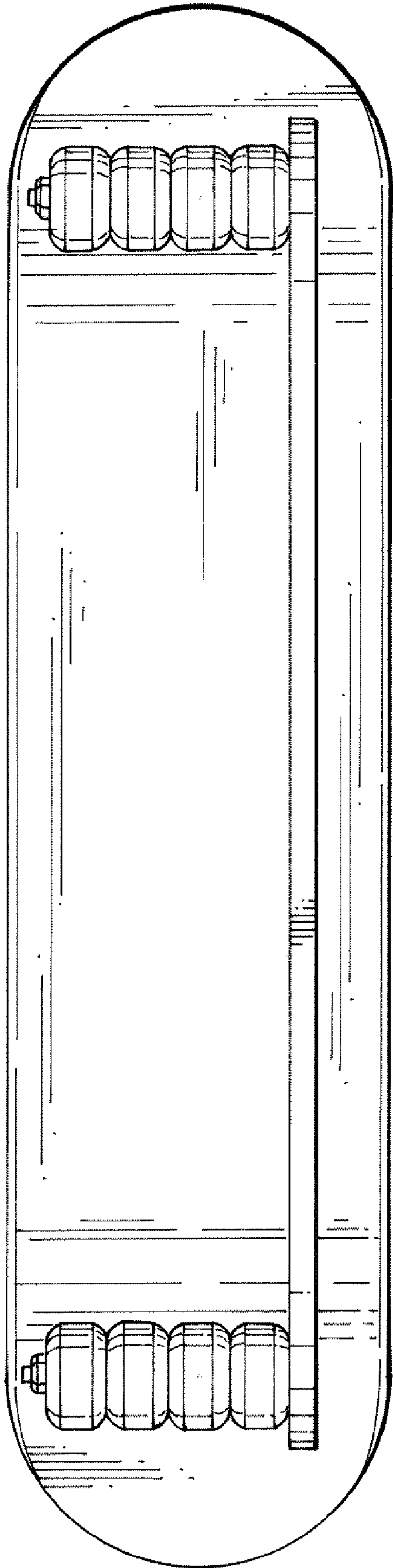


FIG. 2

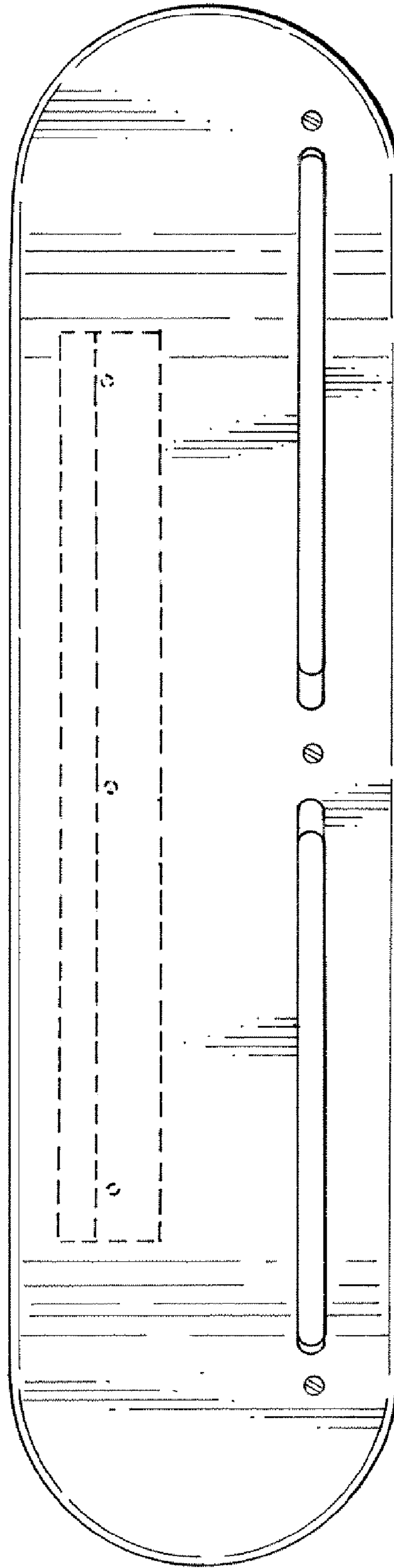
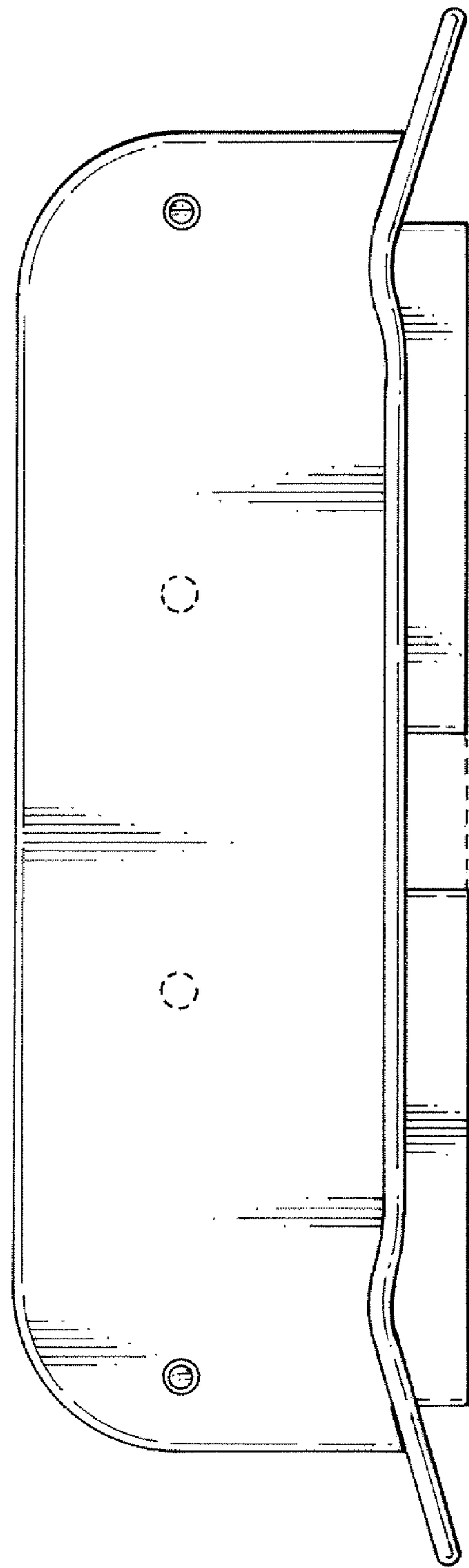
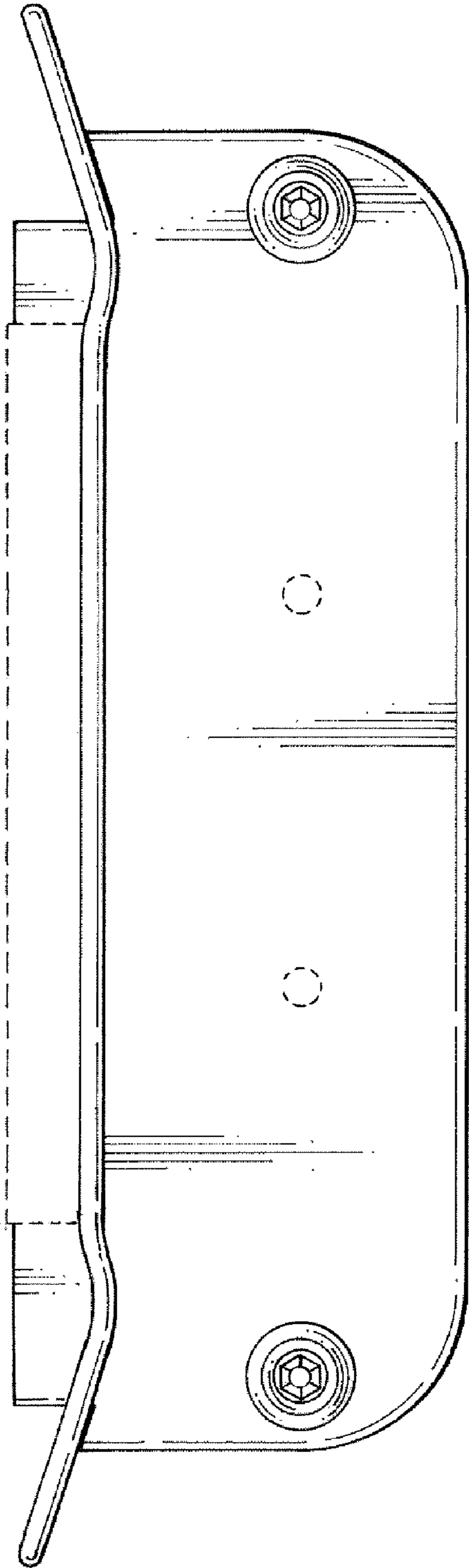


FIG. 3



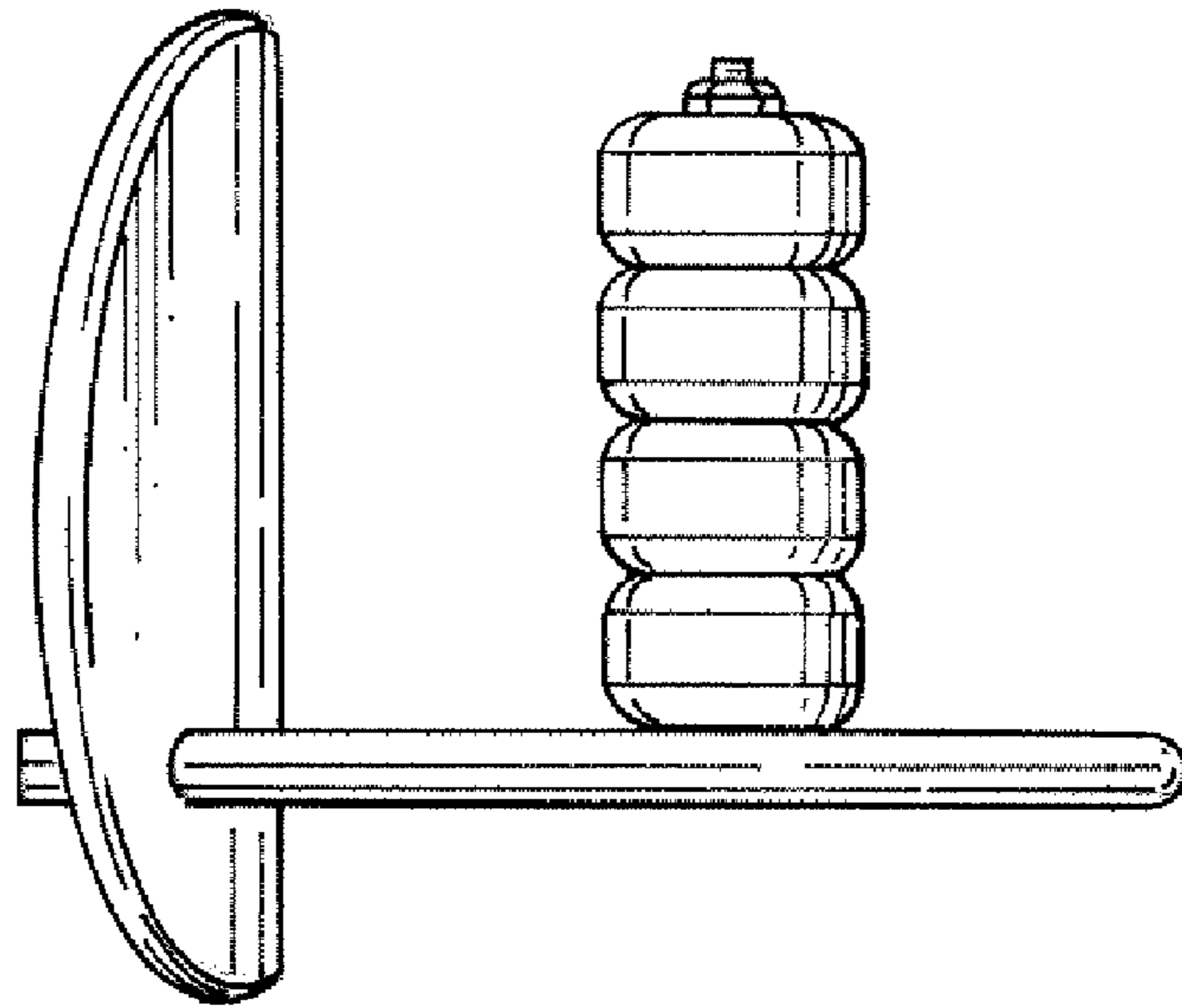


FIG. 6

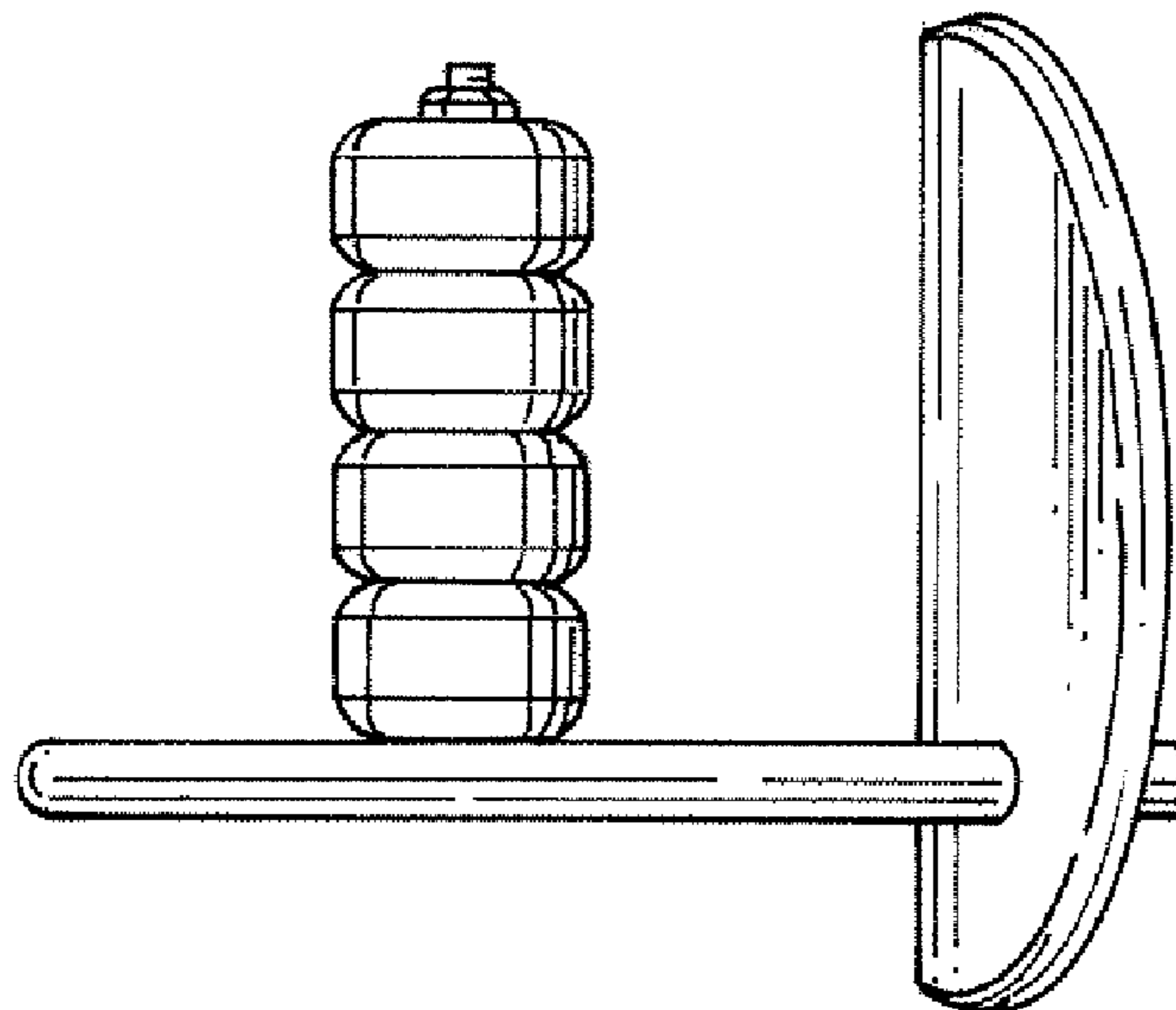


FIG. 7