



US00D576830S

(12) **United States Design Patent**  
**Kristensen et al.**

(10) **Patent No.:** **US D576,830 S**

(45) **Date of Patent:** **\*\* Sep. 16, 2008**

(54) **HEATED TOWEL RAIL**

D324,620 S \* 3/1992 Chalot ..... D6/548  
D338,794 S \* 8/1993 Wilsker ..... D6/549  
D412,630 S \* 8/1999 Lowe ..... D6/462

(75) Inventors: **Mogens Kristensen**, Horsens (DK);  
**Torben Madsen**, Horsens (DK)

\* cited by examiner

(73) Assignee: **Vola A/S**, Horsens (DK)

*Primary Examiner*—Brian N Vinson

(\*\*) Term: **14 Years**

(74) *Attorney, Agent, or Firm*—Buchanan Ingersoll & Rooney PC

(21) Appl. No.: **29/287,166**

(57) **CLAIM**

(22) Filed: **Jul. 5, 2007**

The ornamental design for a heated towel rail, as shown and described.

(30) **Foreign Application Priority Data**

Feb. 8, 2007 (EM) ..... 000666193

**DESCRIPTION**

(51) **LOC (8) Cl.** ..... **06-04**

FIG. 1 is a front and right side perspective view of a heated towel rail showing our new design;

(52) **U.S. Cl.** ..... **D6/548**

FIG. 2 is a front elevational view thereof;

(58) **Field of Classification Search** ..... D6/546–550;  
248/205.1, 213.1; 211/16, 85.29, 86.01,  
211/87.01, 88.04, 106, 119.004, 181.1, 182  
See application file for complete search history.

FIG. 3 is a right side elevational thereof;

FIG. 4 is a left side elevational view thereof; and,

FIG. 5 is a top plan view thereof.

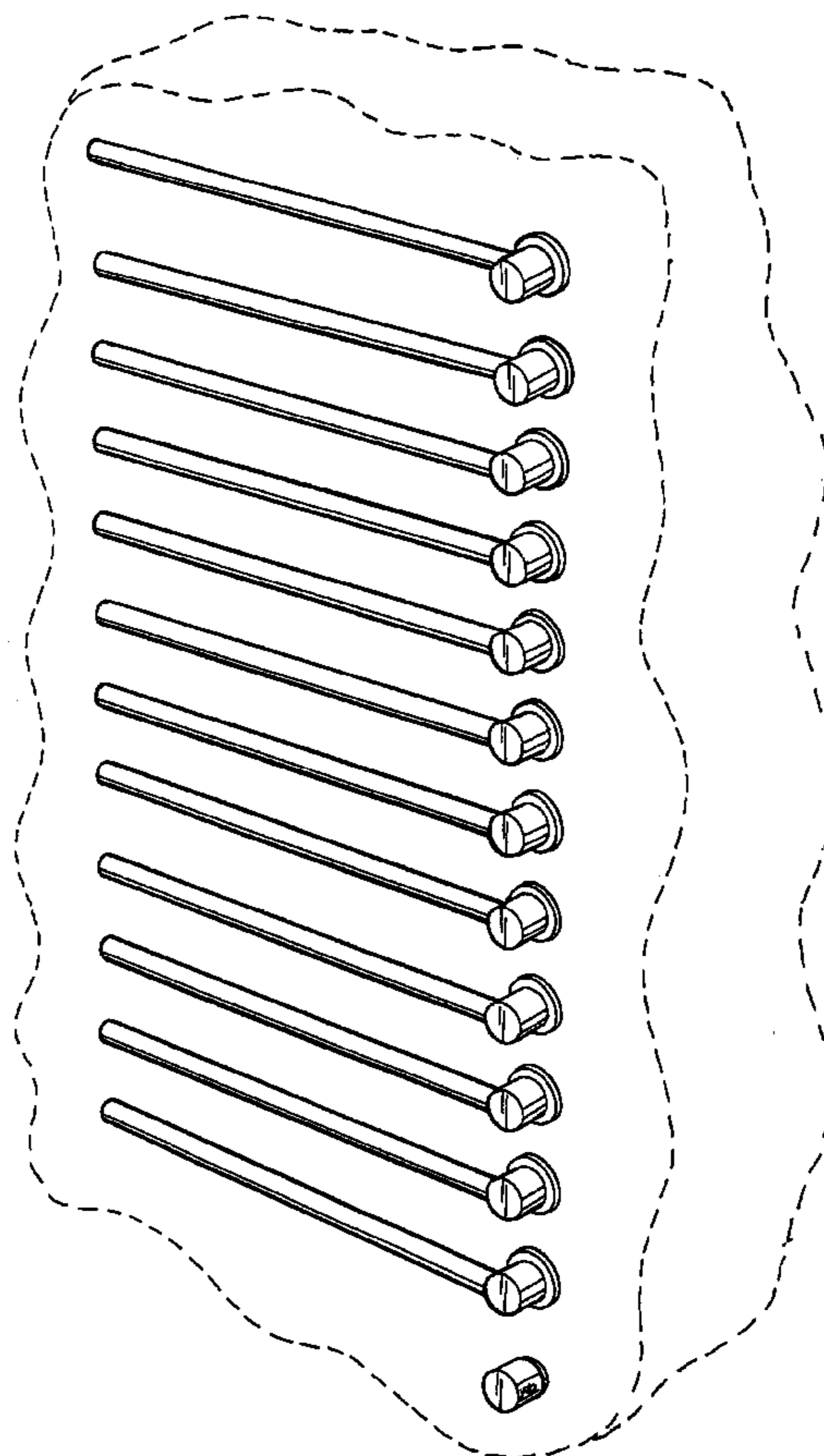
Where included, broken lines are for illustrative purposes only and form no part of the claimed design.

(56) **References Cited**

U.S. PATENT DOCUMENTS

D180,811 S \* 8/1957 Schoenfeld ..... D6/549  
D244,654 S \* 6/1977 Tegner ..... D6/548

**1 Claim, 5 Drawing Sheets**



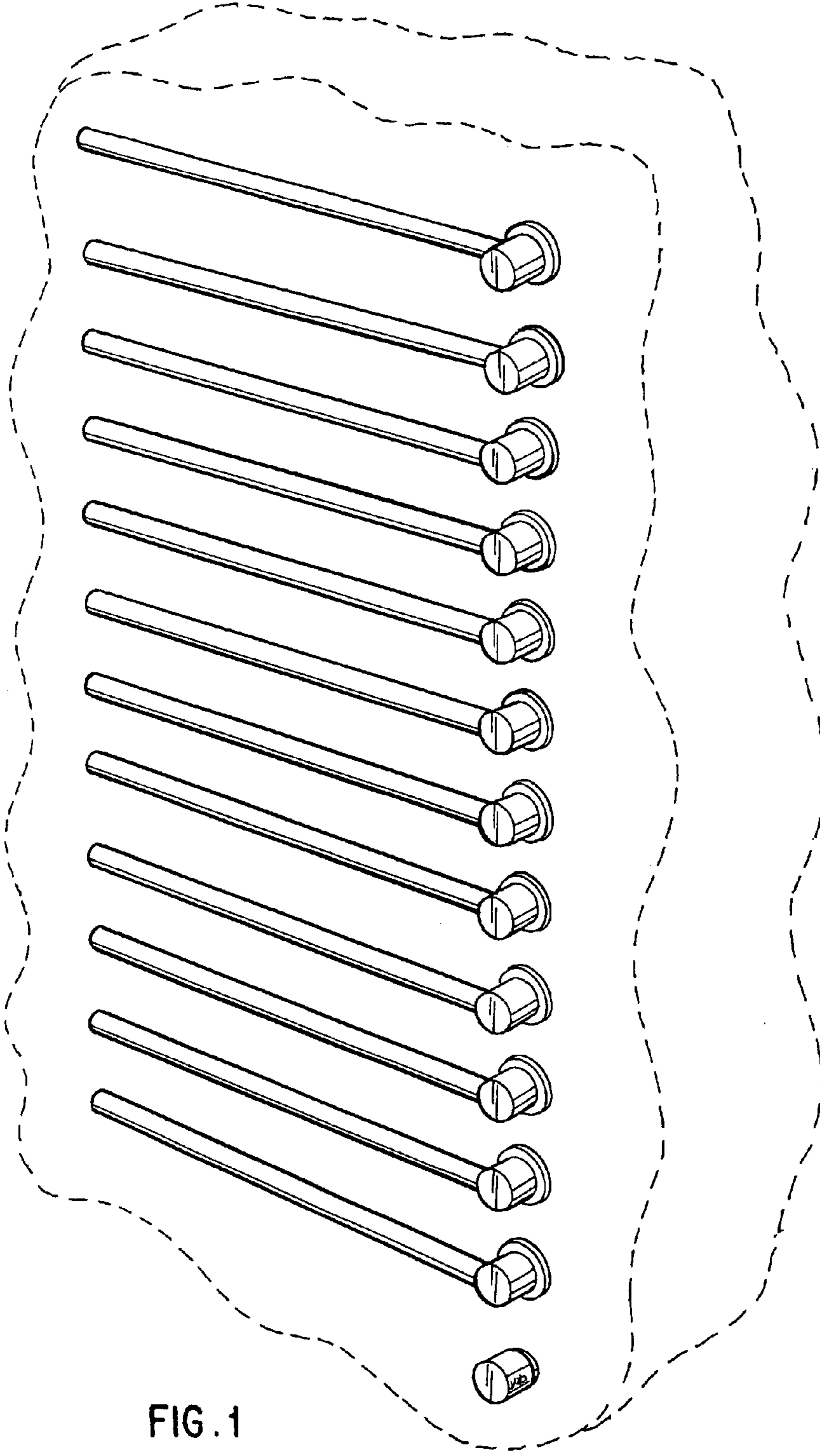


FIG. 1

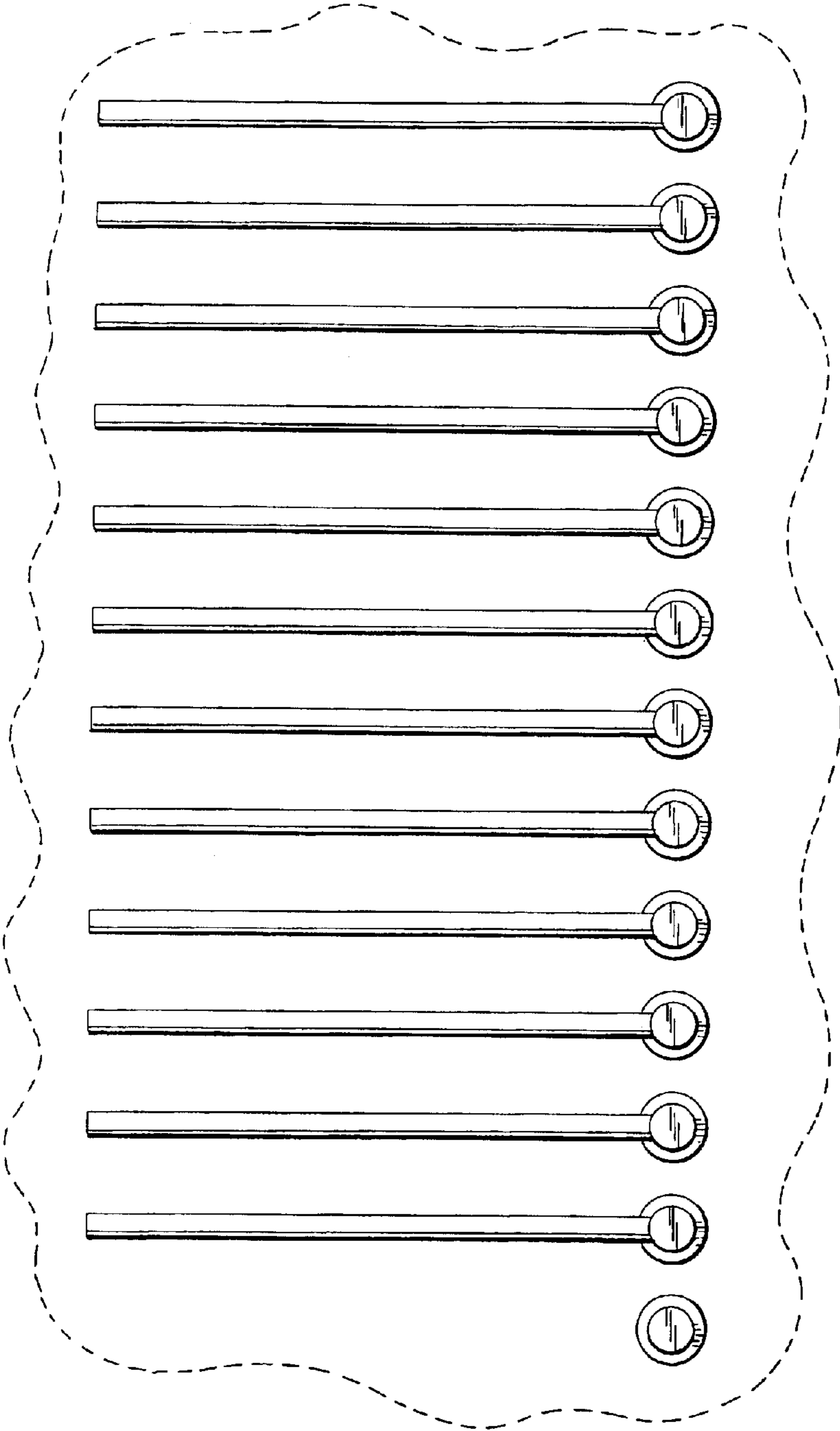


FIG. 2

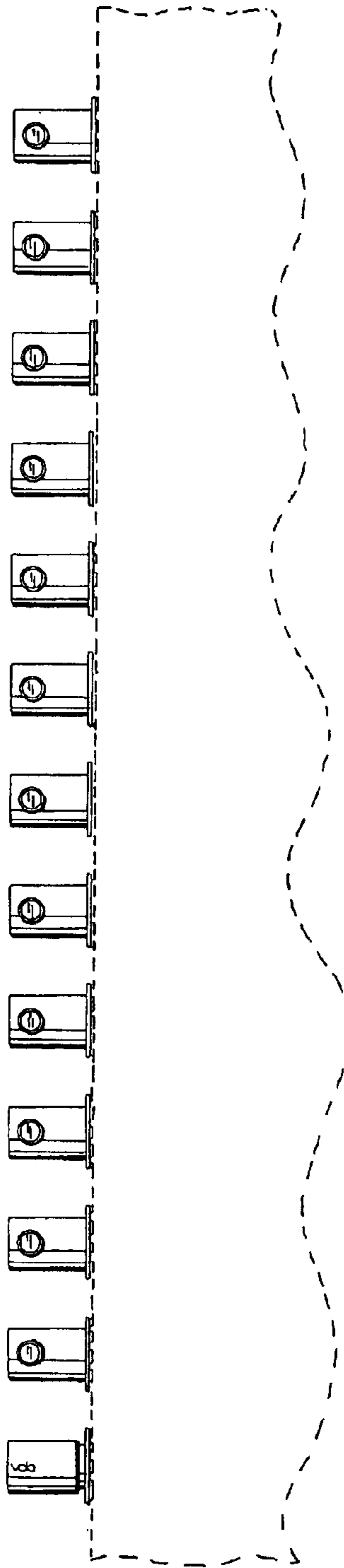


FIG. 3

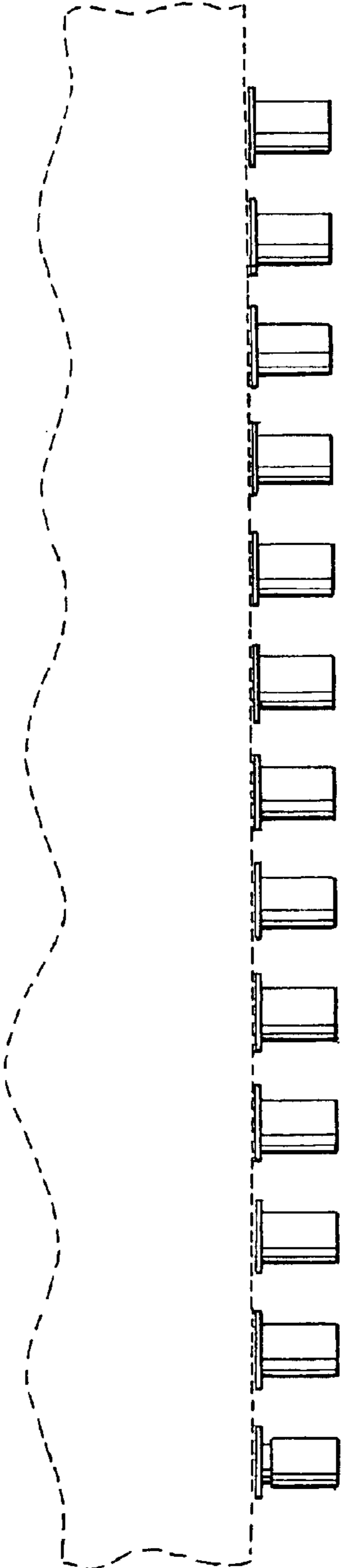


FIG. 4

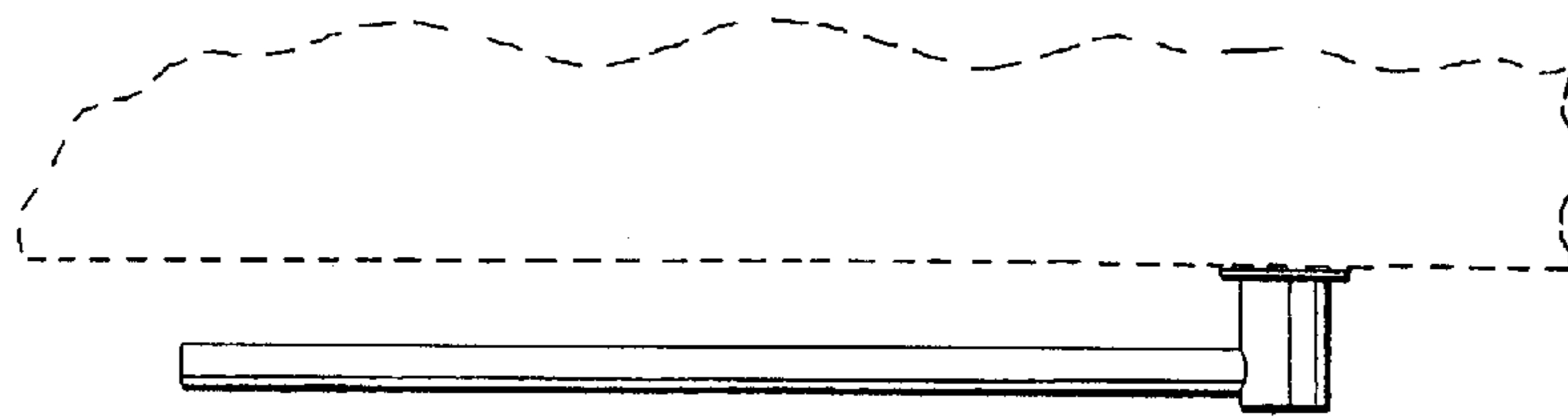


FIG. 5