



US00D576829S

(12) **United States Design Patent**  
**Dretzka**

(10) **Patent No.:** **US D576,829 S**  
(45) **Date of Patent:** **\*\* Sep. 16, 2008**

(54) **TOOTHBRUSH STAND**

D530,950 S 10/2006 Dretzka  
D546,607 S \* 7/2007 Dretzka ..... D6/534

(75) Inventor: **Philip C. Dretzka**, Mariemont, OH (US)

(73) Assignee: **InterDesign, Inc.**, Solon, OH (US)

(\*\*) Term: **14 Years**

(21) Appl. No.: **29/307,066**

(22) Filed: **Mar. 28, 2008**

(51) **LOC (8) Cl.** ..... **23-02**

(52) **U.S. Cl.** ..... **D6/534**

(58) **Field of Classification Search** ..... D6/524,  
D6/526, 527, 528, 534; 206/228, 208, 209,  
206/209.1, 361, 362, 362.1, 362.2, 362.3;  
211/13.1, 65, 66, 70.6, 86.01, 87.01

See application file for complete search history.

(56) **References Cited**

**U.S. PATENT DOCUMENTS**

D477,734 S	7/2003	Snell
D478,231 S	8/2003	Snell
D482,222 S	11/2003	Dretzka
D499,918 S	12/2004	Snell
D530,122 S	10/2006	Snell
D530,552 S	10/2006	Snell
D530,949 S	10/2006	Snell

**OTHER PUBLICATIONS**

InterDesign, Inc. Product Brochure—2003, pp. 9, 10, 15, 16, 22, 24.  
InterDesign, Inc. Product Brochure—2004, pp. 20, 29.  
InterDesign, Inc. Product Brochure—2006, pp. 2, 3, 4, 11.

\* cited by examiner

*Primary Examiner*—Brian N Vinson

(74) *Attorney, Agent, or Firm*—D. Peter Hochberg; Sean F. Mellino

(57) **CLAIM**

The ornamental design for a toothbrush stand, as shown and described.

**DESCRIPTION**

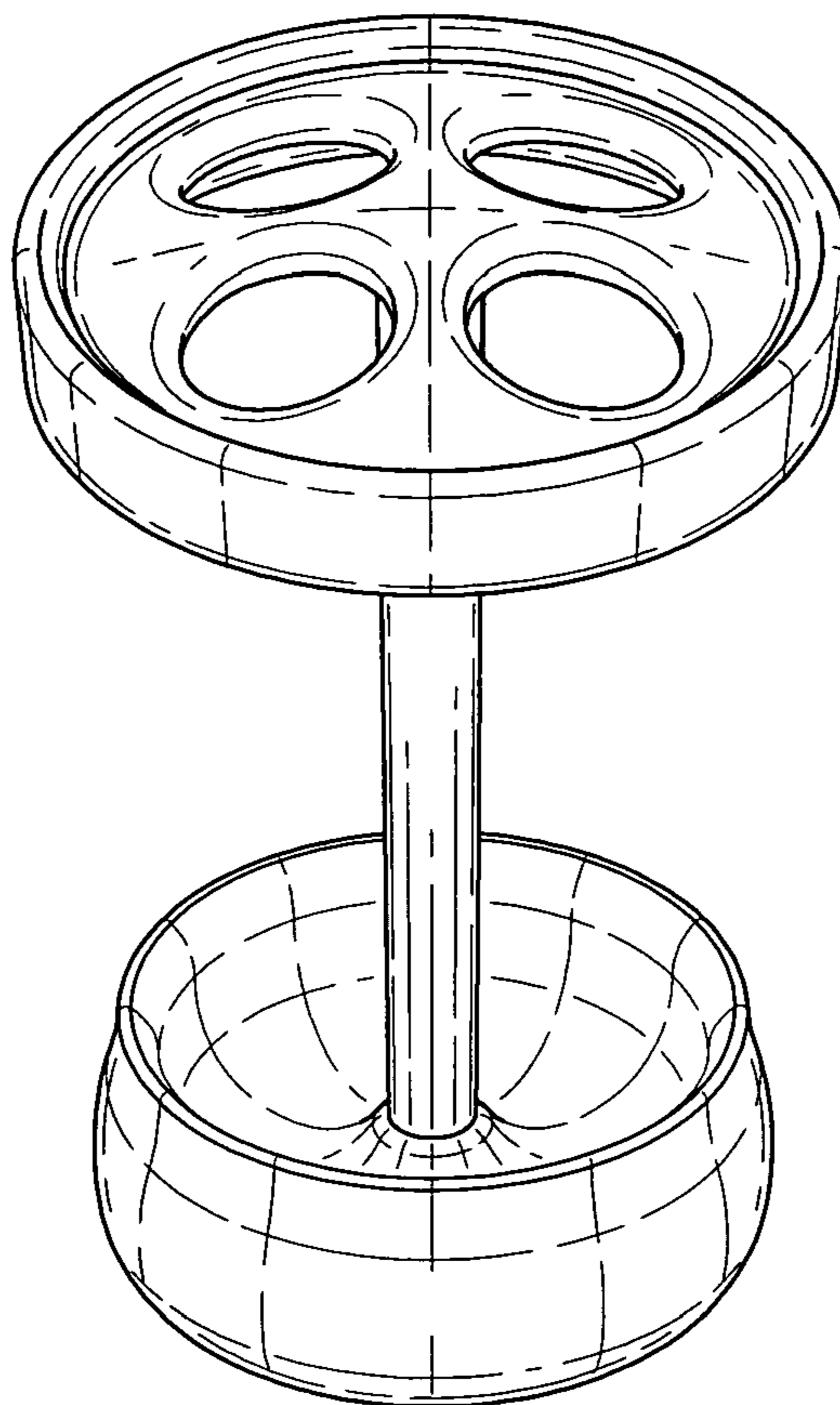
FIG. 1 is a perspective view of the toothbrush stand according to the invention;

FIG. 2 is a side view of the toothbrush stand as shown in FIG. 1;

FIG. 3 is a top view of the toothbrush stand as shown in FIG. 1; and,

FIG. 4 is a bottom view of the toothbrush stand as shown in FIG. 1.

**1 Claim, 1 Drawing Sheet**



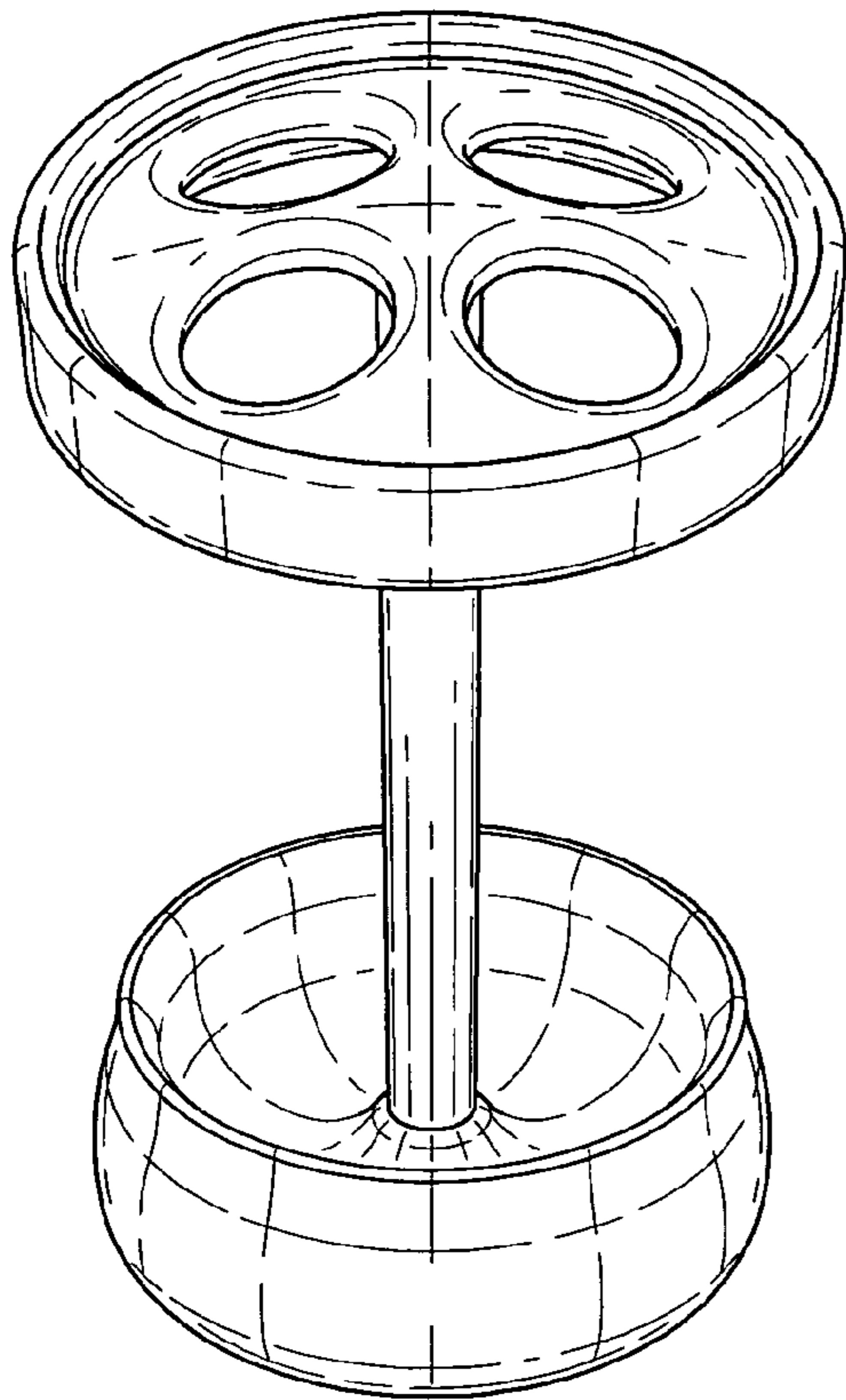


FIG-1

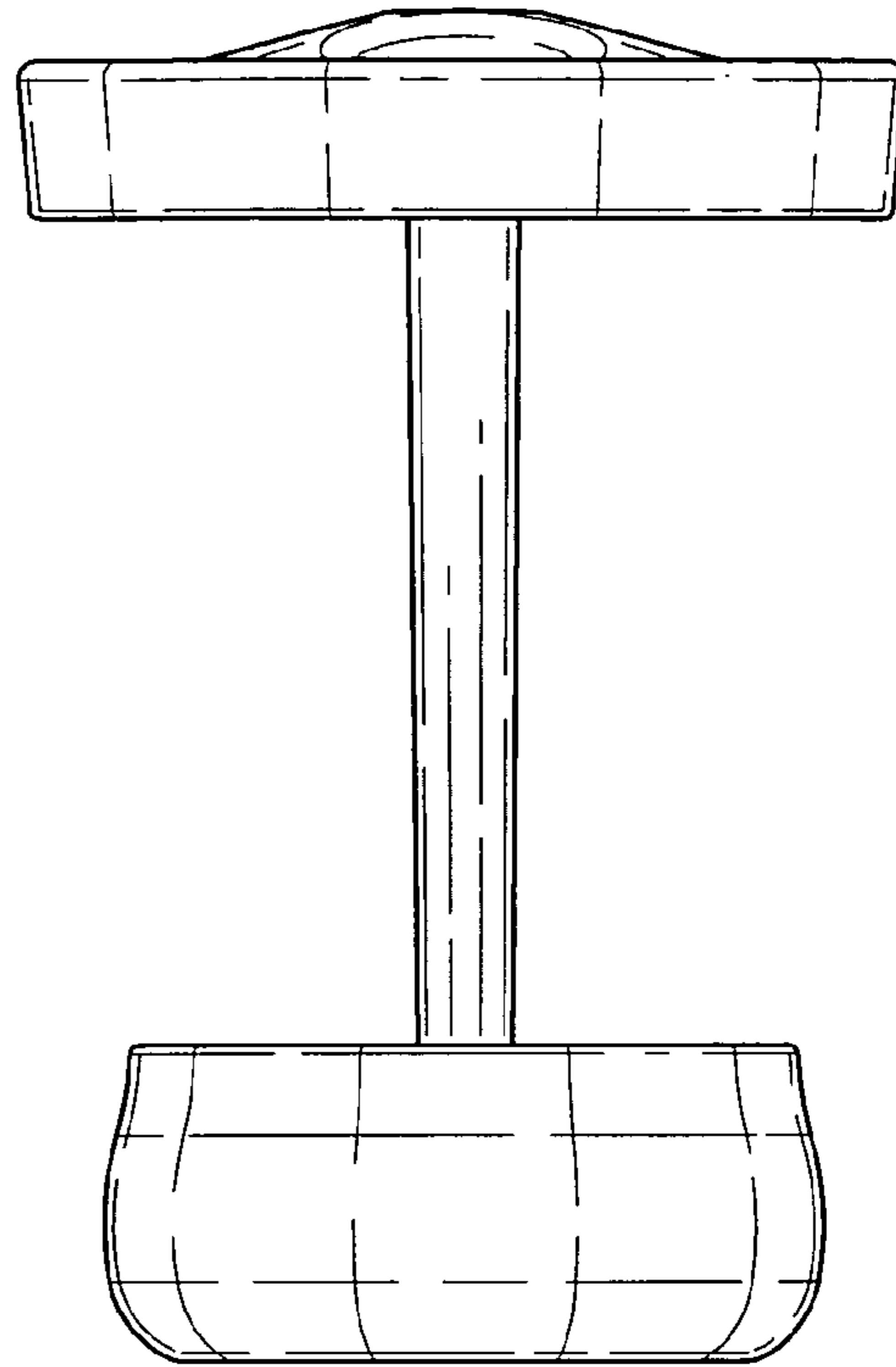


FIG-2

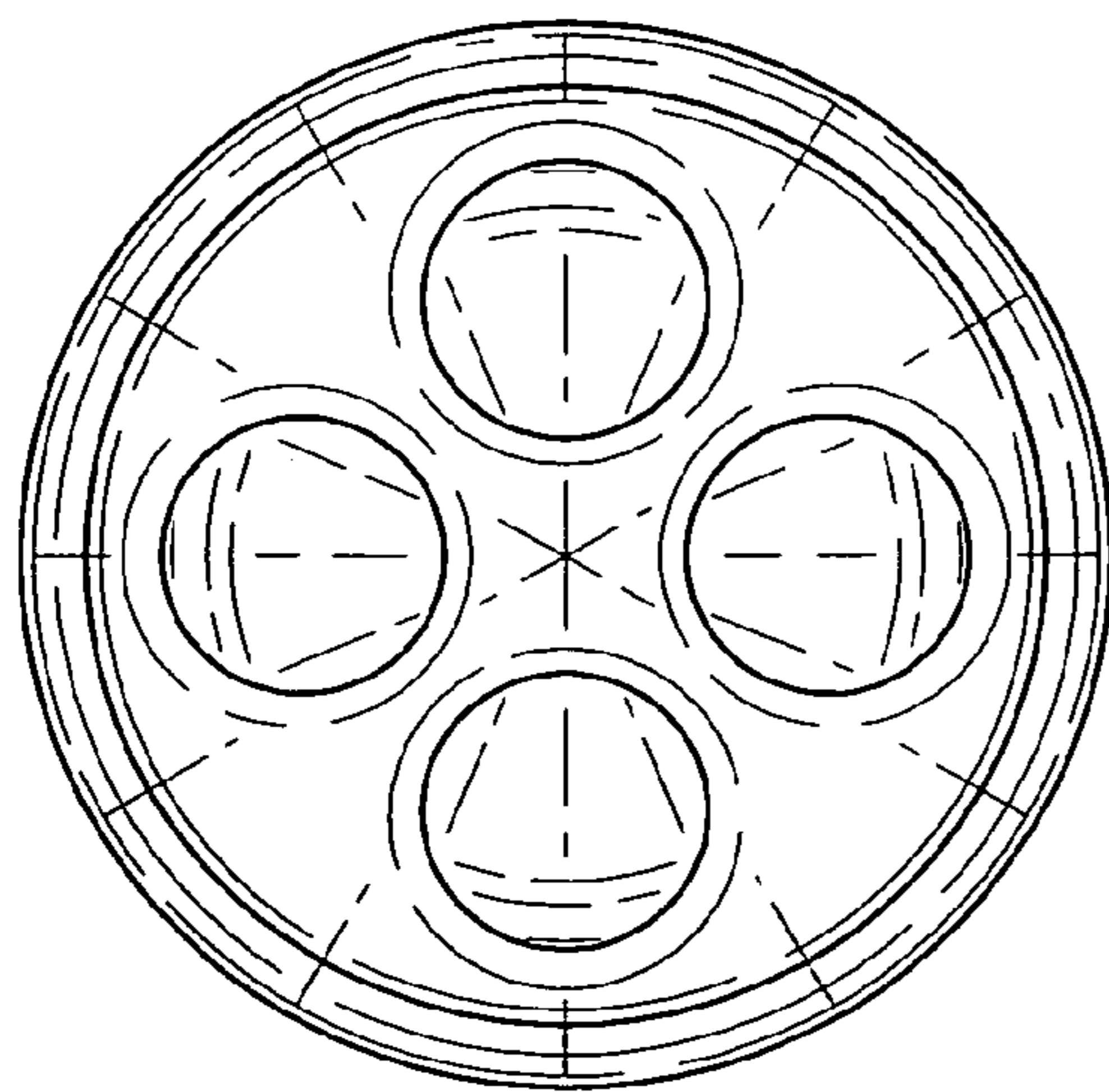


FIG-3

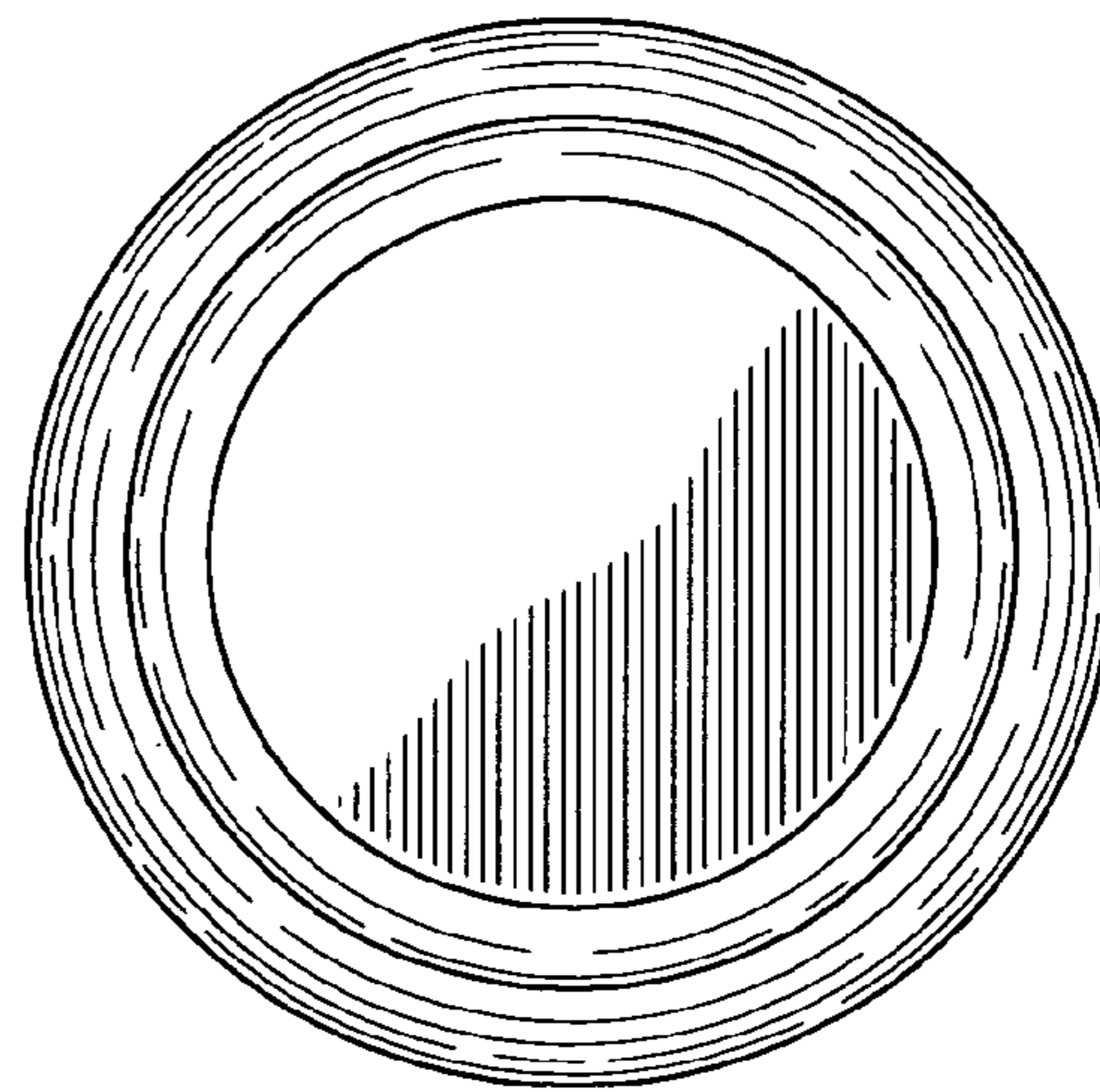


FIG-4