



US00D576828S

(12) **United States Design Patent**
Ghiorghie

(10) **Patent No.:** **US D576,828 S**

(45) **Date of Patent:** **** Sep. 16, 2008**

(54) **TOOTHBRUSH STAND**

D530,950 S 10/2006 Dretzka
D546,607 S * 7/2007 Dretzka D6/534

(75) Inventor: **Radu Alexandru Ghiorghie**, Copley,
OH (US)

OTHER PUBLICATIONS

(73) Assignee: **InterDesign, Inc.**, Solon, OH (US)

InterDesign, Inc. Product Brochure—2003, pp. 5, 9, 10, 15, 16, 22 &
24 (w/front cover).
InterDesign, Inc. Product Brochure—2004, p. 28 (w/front and back
covers).

(**) Term: **14 Years**

* cited by examiner

(21) Appl. No.: **29/301,405**

Primary Examiner—Brian N Vinson

(22) Filed: **Feb. 28, 2008**

(74) *Attorney, Agent, or Firm*—D. Peter Hochberg; Sean F.
Mellino

(51) **LOC (8) Cl.** **23-02**

(52) **U.S. Cl.** **D6/534**

(58) **Field of Classification Search** D6/524,
D6/526, 527, 528, 534; 206/228, 208, 209,
206/209.1, 361, 362, 362.1, 362.2, 362.3;
211/13.1, 65, 66, 70.6, 86.01, 87.01

See application file for complete search history.

(57) **CLAIM**

The ornamental design for a toothbrush stand, as shown and
described.

(56) **References Cited**

DESCRIPTION

U.S. PATENT DOCUMENTS

D477,734 S	7/2003	Snell
D478,230 S	8/2003	Dretzka
D478,231 S	8/2003	Snell
D482,222 S	11/2003	Dretzka
D499,918 S	12/2004	Snell
D530,122 S	10/2006	Snell
D530,552 S	10/2006	Snell
D530,949 S	10/2006	Snell

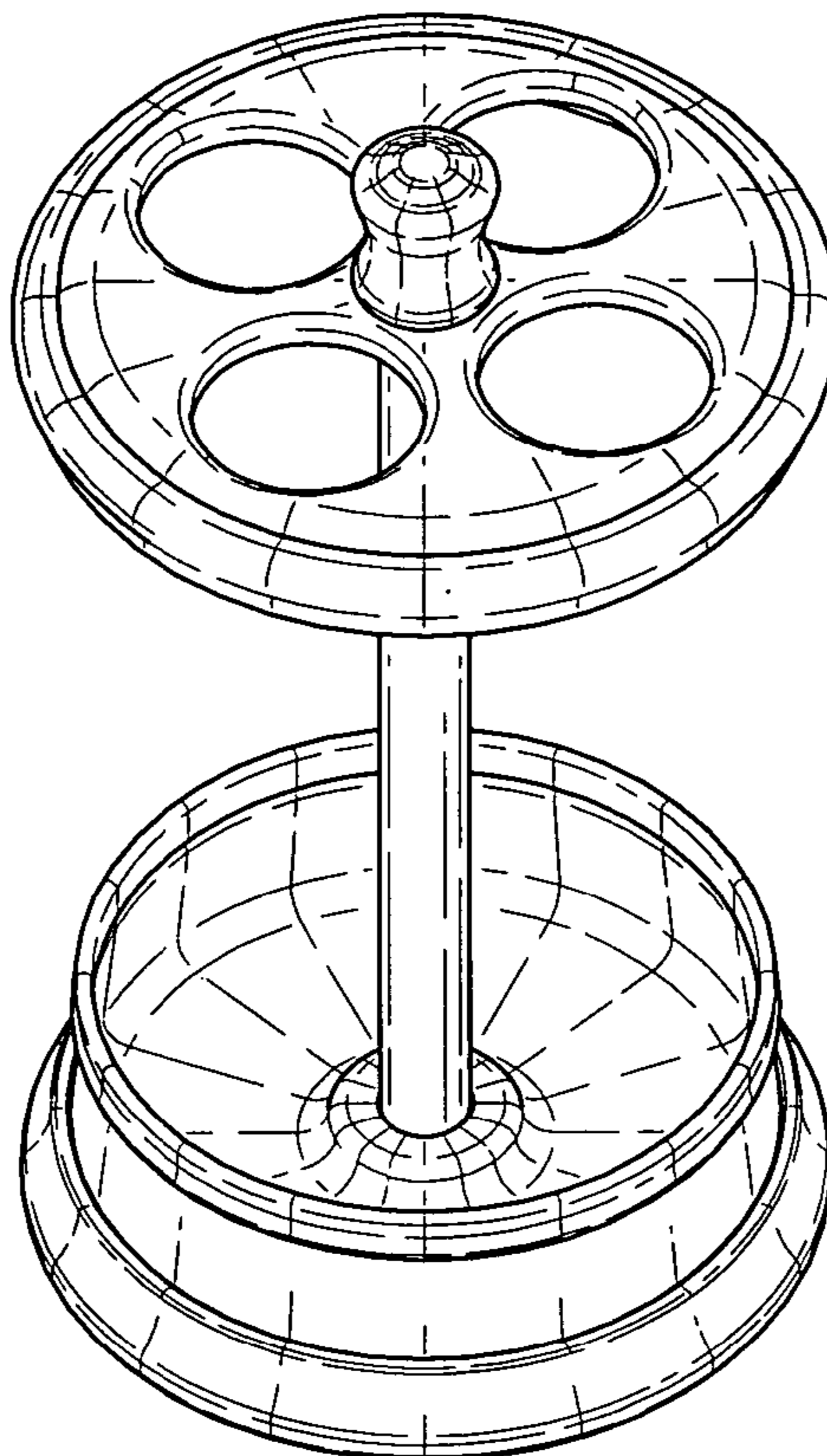
FIG. 1 is a perspective view of the toothbrush stand according
to the invention;

FIG. 2 is a side view of the toothbrush stand as shown in FIG.
1;

FIG. 3 is a top view of the toothbrush stand as shown in FIG.
1; and,

FIG. 4 is a bottom view of the toothbrush stand as shown in
FIG. 1.

1 Claim, 1 Drawing Sheet



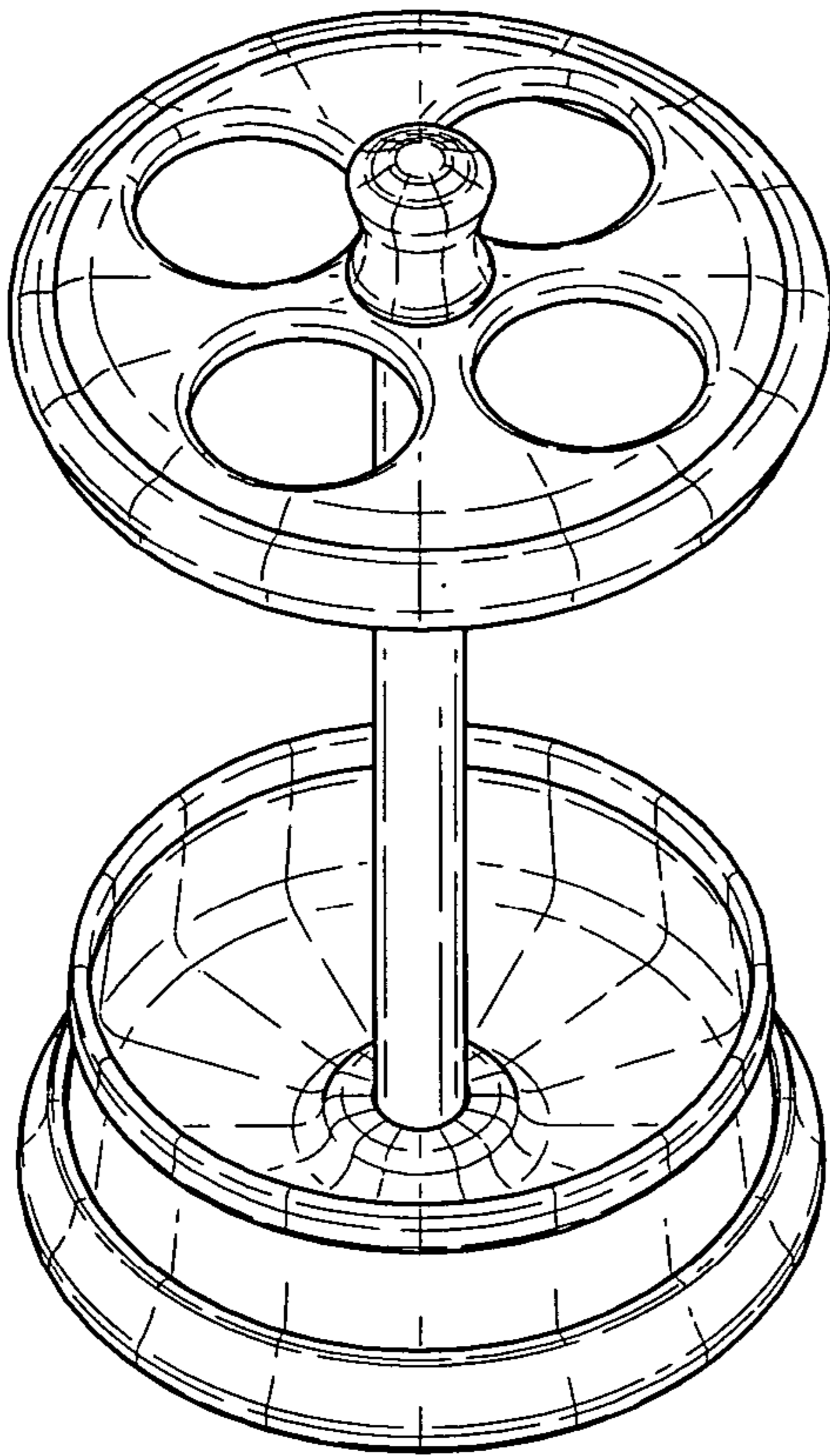


FIG-1

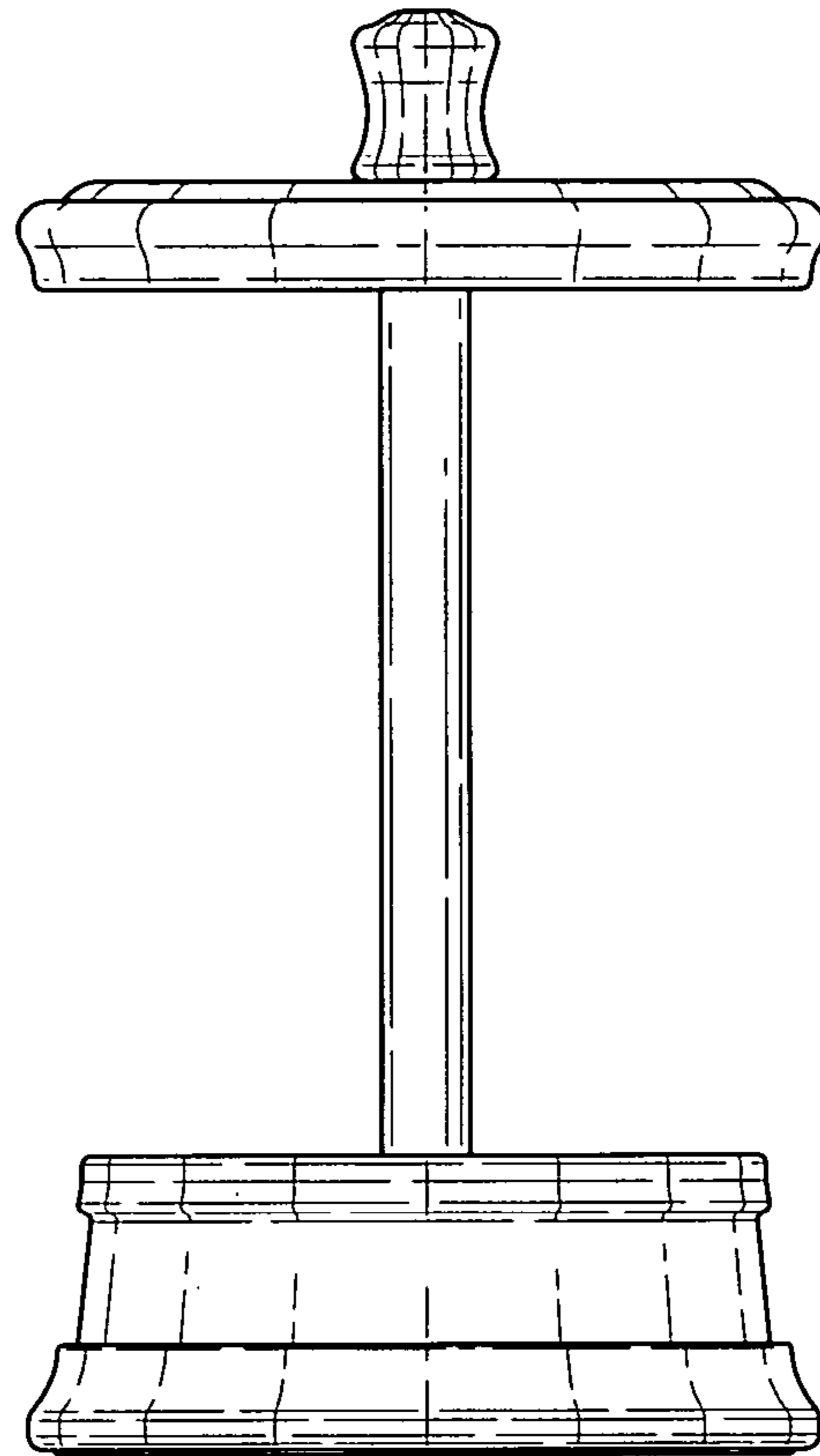


FIG-2

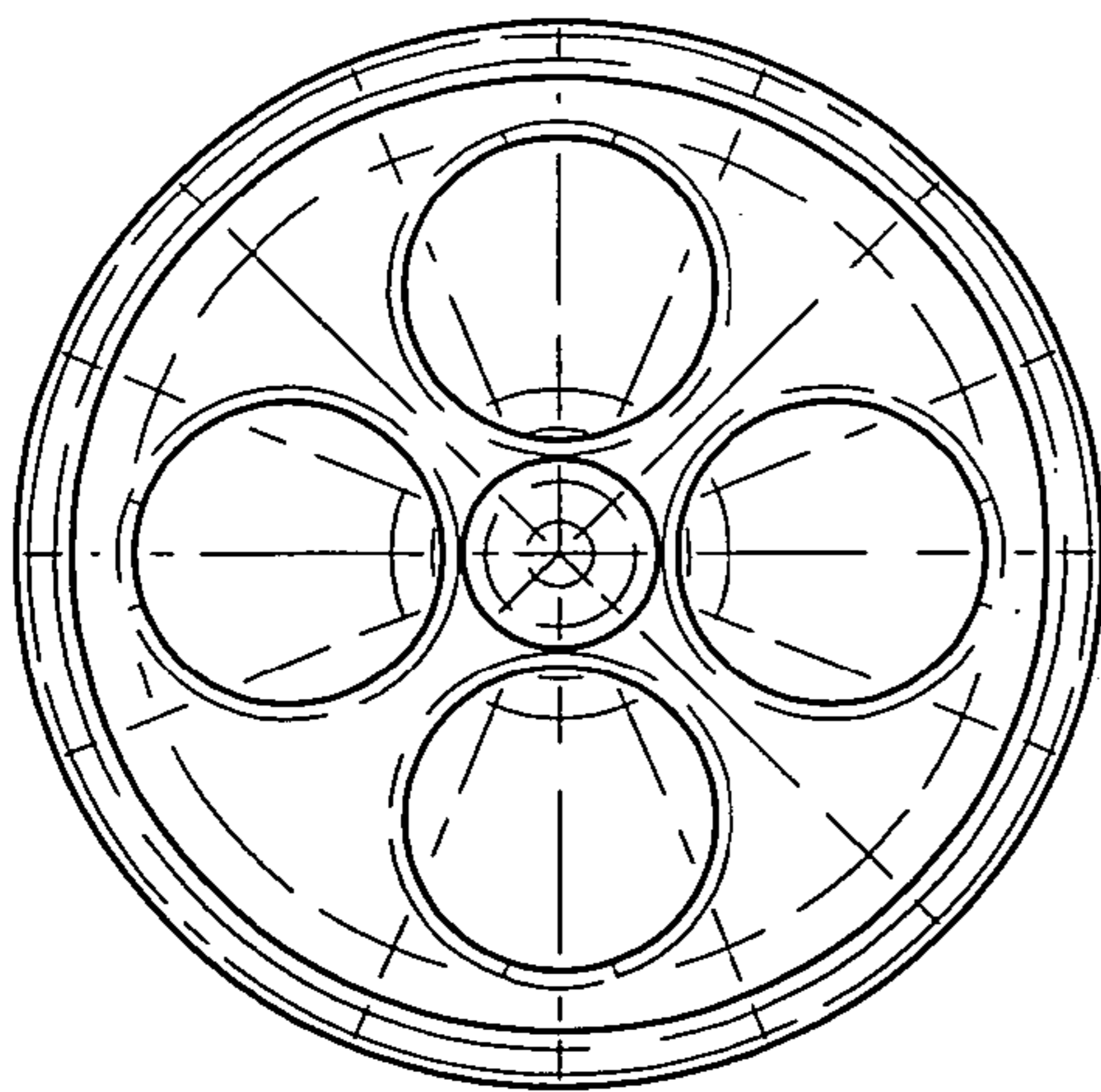


FIG-3

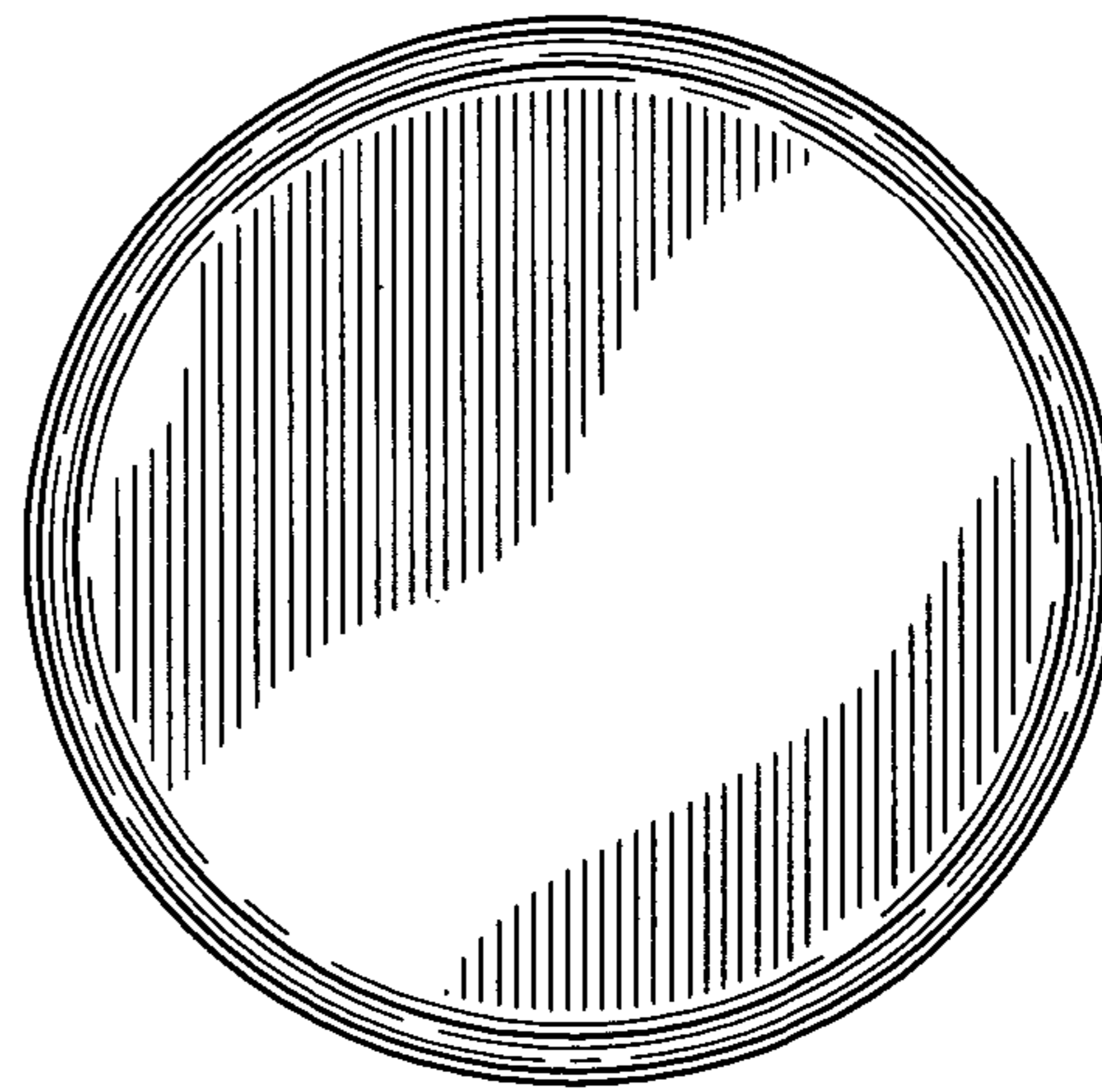


FIG-4