



US00D576825S

(12) **United States Design Patent**
Goodman et al.

(10) **Patent No.:** **US D576,825 S**
(45) **Date of Patent:** **** Sep. 16, 2008**

(54) **PAPER ROLL PRODUCT HOLDER**

(74) *Attorney, Agent, or Firm*—Pearne & Gordon LLP

(75) Inventors: **Sheldon H. Goodman**, Solon, OH (US);
Omer I. Sazir, Cleveland, OH (US)

(57) **CLAIM**

(73) Assignee: **Spectrum Diversified Designs, Inc.**,
Streetsboro, OH (US)

The ornamental design for a paper roll product holder, as shown and described.

(**) Term: **14 Years**

DESCRIPTION

(21) Appl. No.: **29/297,484**

FIG. 1 is a perspective view of a paper roll product holder, showing our new design;

(22) Filed: **Nov. 13, 2007**

FIG. 2 is a front elevational view thereof;

(51) **LOC (8) Cl.** **20-02**

FIG. 3 is a side elevational view thereof;

(52) **U.S. Cl.** **D6/521**

FIG. 4 is a top plan view thereof;

(58) **Field of Classification Search** D6/546–550,
D6/518–519, 522–524; D8/300, 303, 315–321;
108/28–29; 211/13.1, 16, 60.1, 86.01, 87.01,
211/88.01, 88.04, 100, 105.1–105.2, 123,
211/181.1, 182; 248/175, 176.1, 251, 302;
16/110.1, 412, 415; 242/570, 590, 595–598

FIG. 5 is a perspective view of a second embodiment of a paper roll product holder, wherein the broken lines form no part of the claimed design and the portions of the peripheral member that are shown broken away indicate that the lengths of each of the broken peripheral member portions do not form a part of the design; and,

See application file for complete search history.

FIG. 6 is a perspective view of a third embodiment of a paper roll product holder, wherein the broken lines in the central vertical elements indicate the specific height of the elements and the paper product roll holder do not form a part of the design, and the portions of the peripheral base member that are broken away indicate that the length of each of the broken peripheral base member portions does not form a part of the design.

(56) **References Cited**

U.S. PATENT DOCUMENTS

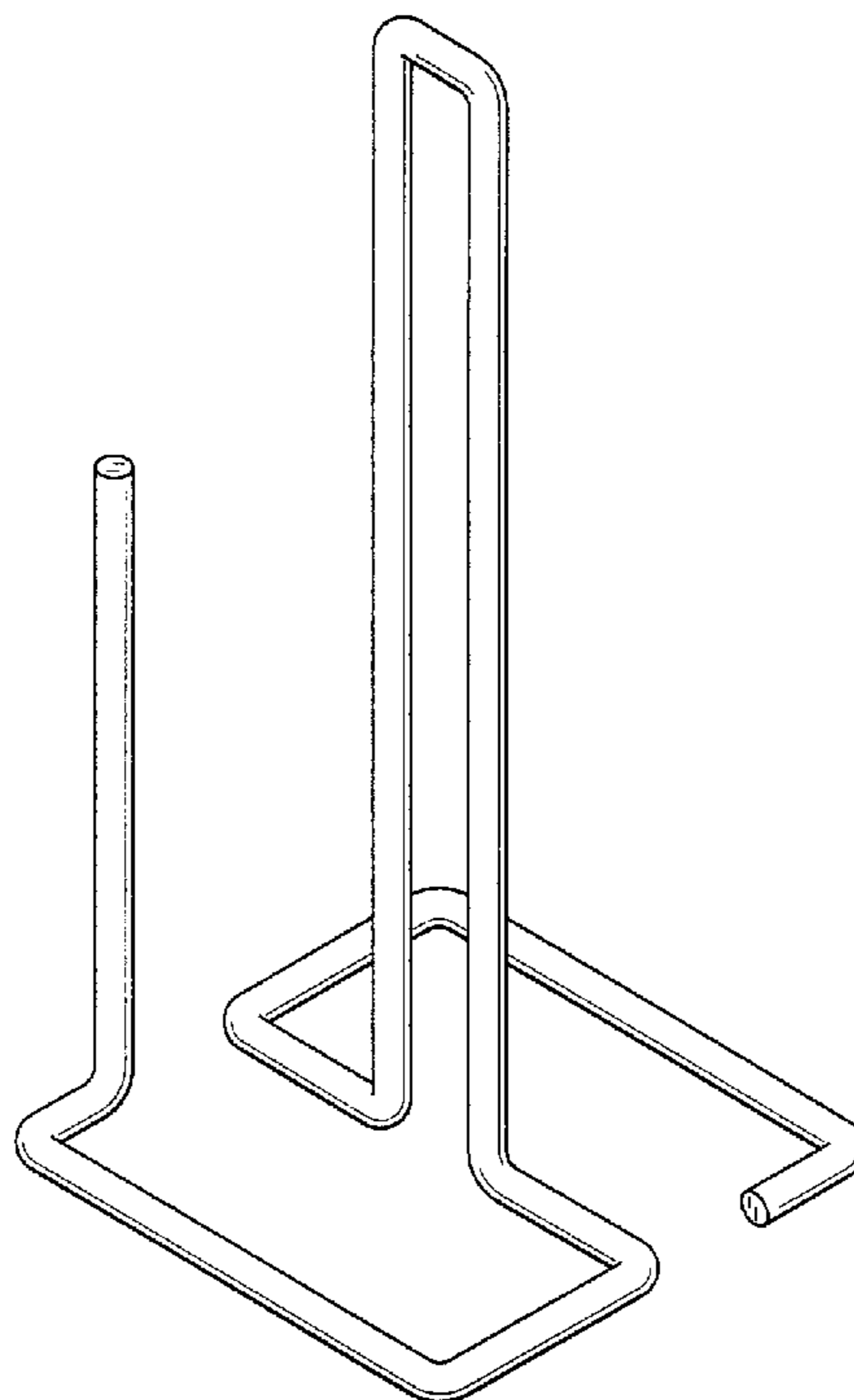
D390,054 S *	2/1998	Goodman	D6/522
D474,634 S *	5/2003	Ancona	D6/522
D512,590 S *	12/2005	Goodman et al.	D6/521
D517,846 S *	3/2006	Goodman et al.	D6/521
D522,292 S *	6/2006	Goodman et al.	D6/521
D555,954 S *	11/2007	Yang et al.	D6/521

The dotted line disclosure of elements in the views is for illustrative purposes only and forms no part of the claimed design.

* cited by examiner

Primary Examiner—Brian N Vinson

1 Claim, 3 Drawing Sheets



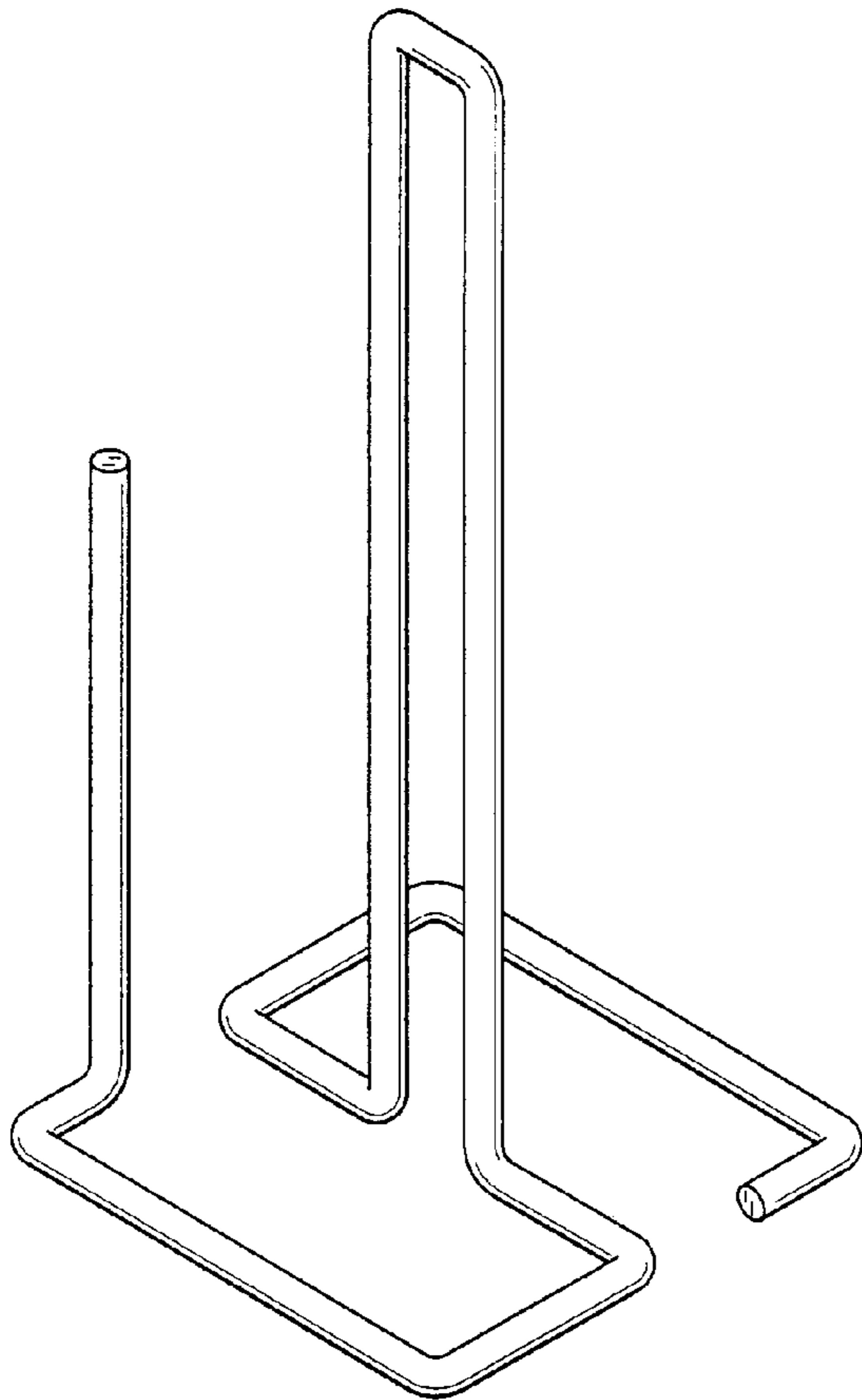


FIG. 1

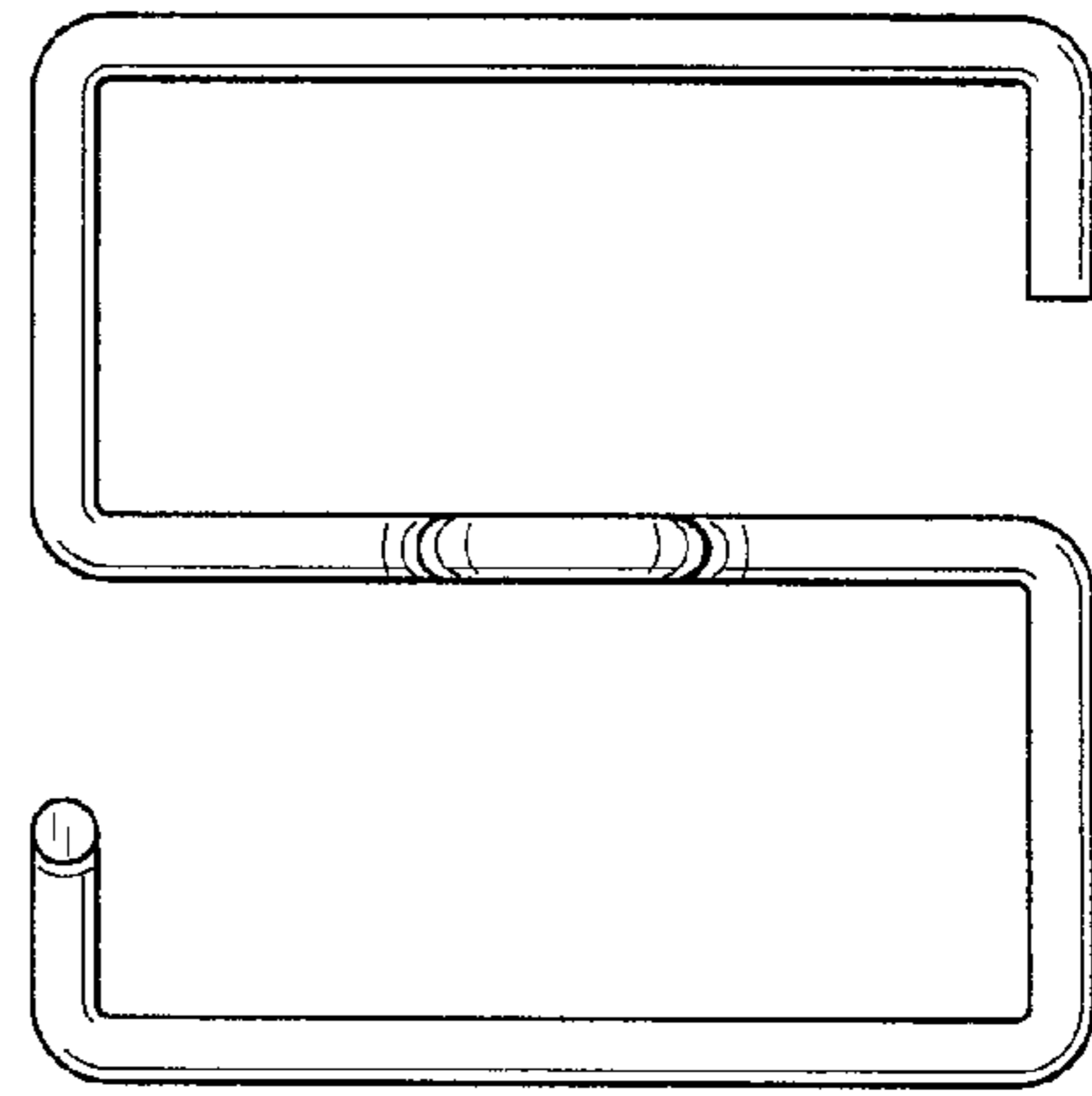


FIG. 4

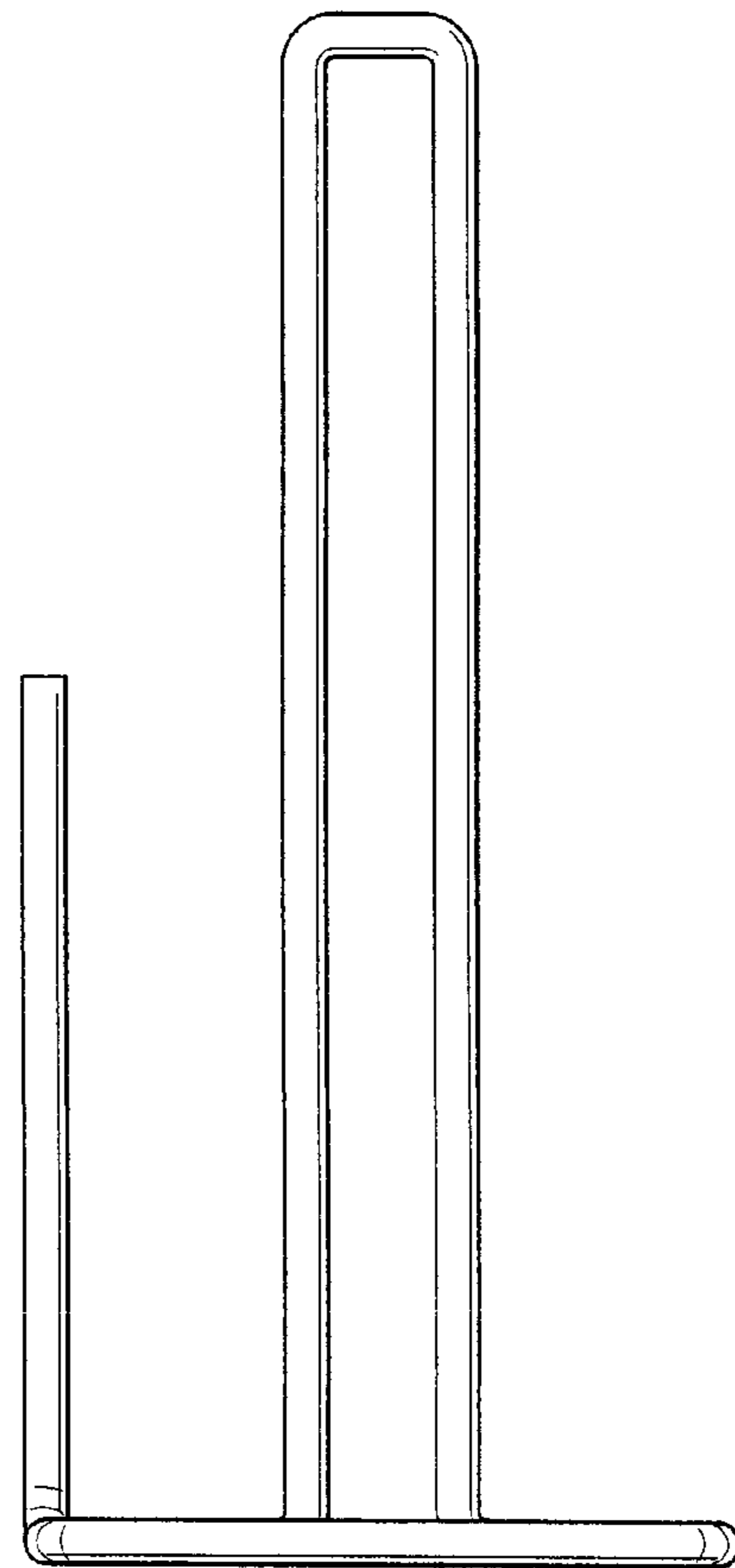


FIG. 2

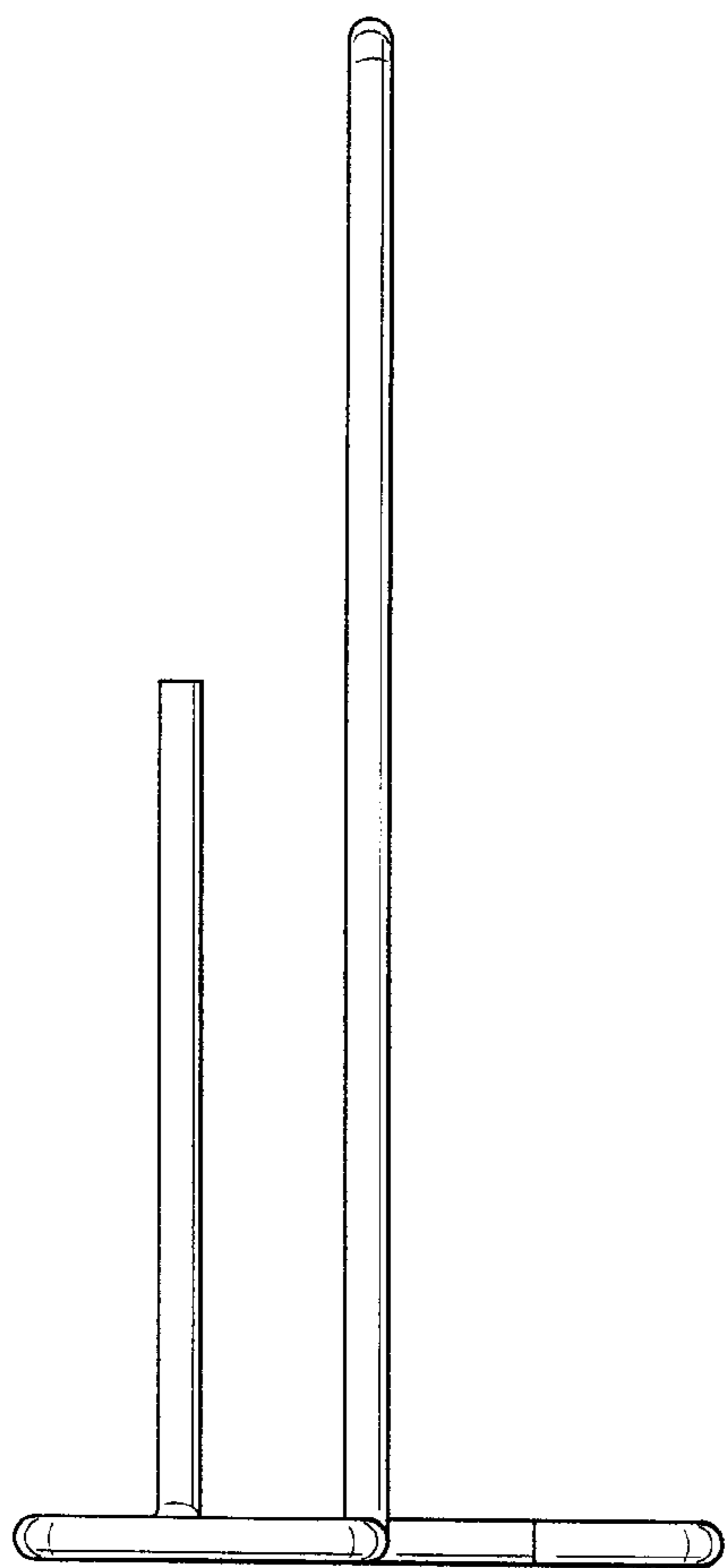


FIG. 3

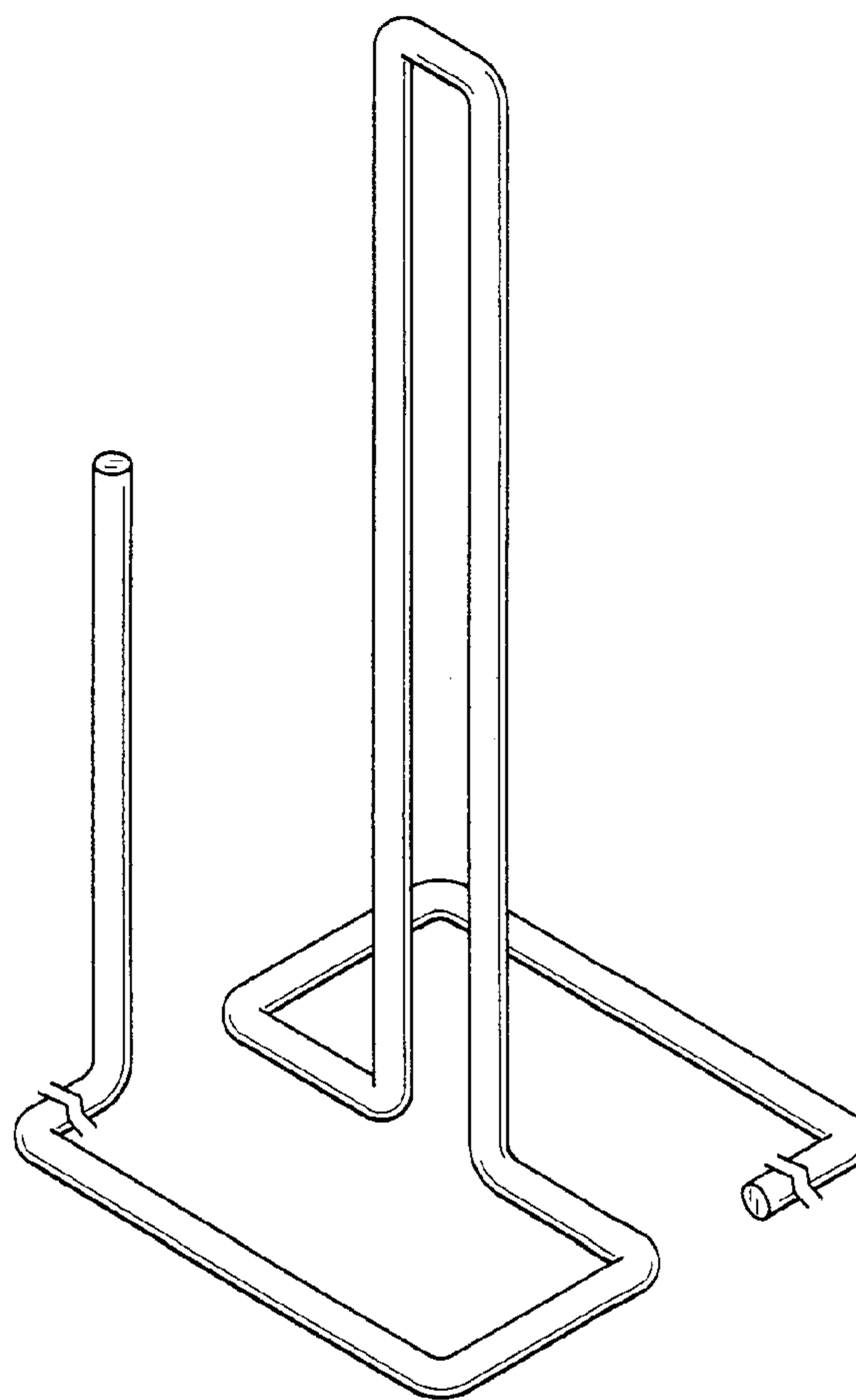


FIG. 5

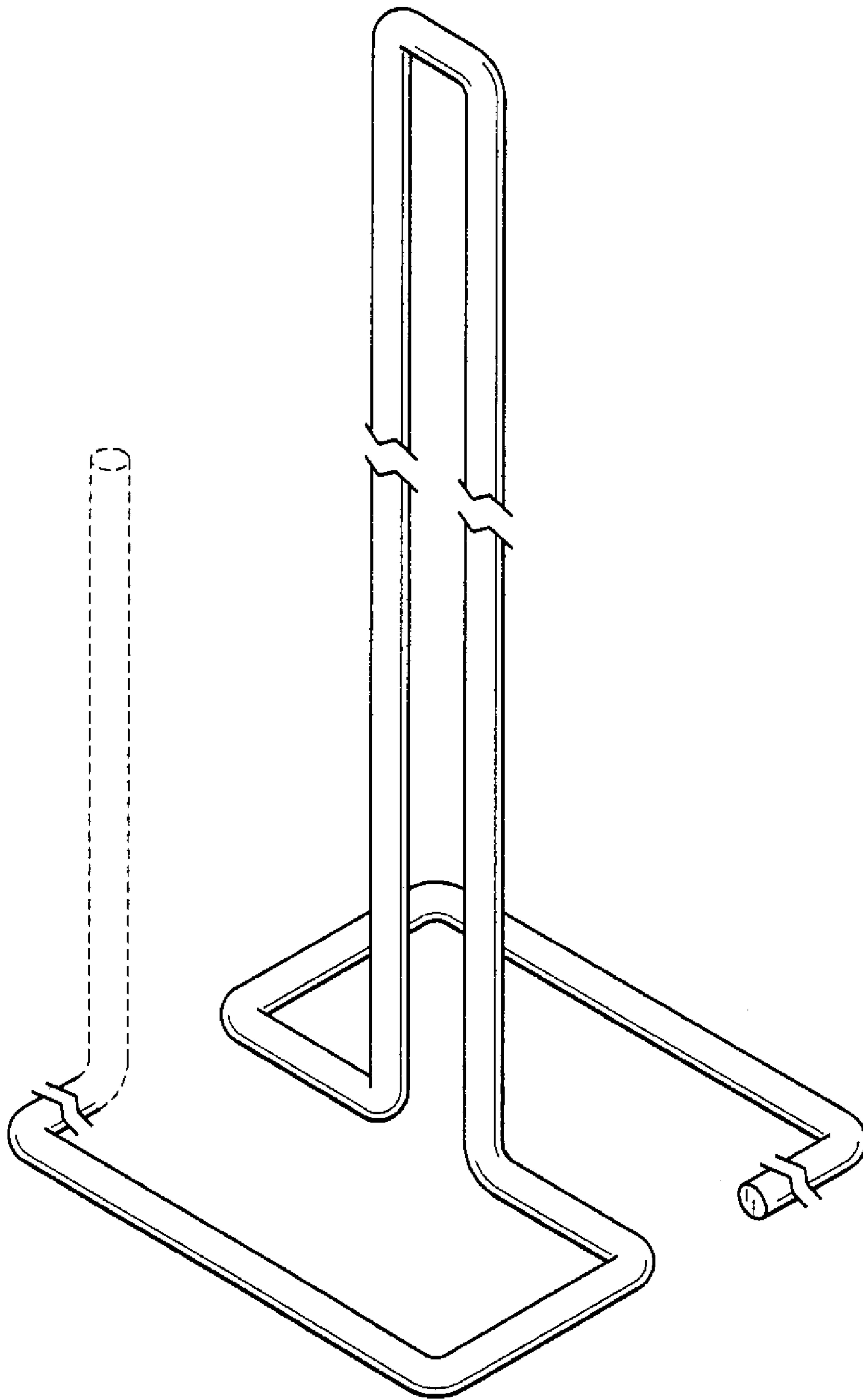


FIG. 6