



US00D576823S

(12) **United States Design Patent**  
**Derocher et al.**

(10) **Patent No.:** **US D576,823 S**

(45) **Date of Patent:** **\*\* Sep. 16, 2008**

(54) **TABLE FOR A CONFERENCING ENVIRONMENT**

D431,939 S \* 10/2000 Risdall ..... D6/482  
D449,750 S \* 10/2001 Antonioni ..... D6/481

(75) Inventors: **Michael D. Derocher**, Corvallis, OR (US); **Paul Harris**, London (GB); **Amos Marchant**, London (GB); **Stephen DeSaulles**, London (GB)

**OTHER PUBLICATIONS**

Brisk Desk Systems, Tabletop angle 43, at far left and 2<sup>nd</sup> from top.\*

\* cited by examiner

*Primary Examiner*—Janice E Seeger

(73) Assignee: **Hewlett-Packard Development Company, L.P.**, Houston, TX (US)

(57) **CLAIM**

(\*\*) Term: **14 Years**

The ornamental design for a table for a conferencing environment, as shown and described.

(21) Appl. No.: **29/292,114**

**DESCRIPTION**

(22) Filed: **Sep. 28, 2007**

FIG. 1 is an isometric view of a table for a conferencing environment showing the new design.

(51) **LOC (8) Cl.** ..... **06-06**

FIG. 2 is a top view of the new design.

(52) **U.S. Cl.** ..... **D6/511**

FIG. 3 is a back view of the new design.

(58) **Field of Classification Search** ..... D6/480-489, D6/495-499, 429-431, 451, 452, 423, 426; 108/150, 50.01, 50.02, 152, 153.1, 155, 156, 108/157.1, 64, 65

FIG. 4 is a bottom view of the new design.

FIG. 5 is a front view of the new design.

See application file for complete search history.

FIG. 6 is a left side view of the new design; and,

FIG. 7 is a right side view of the new design.

(56) **References Cited**

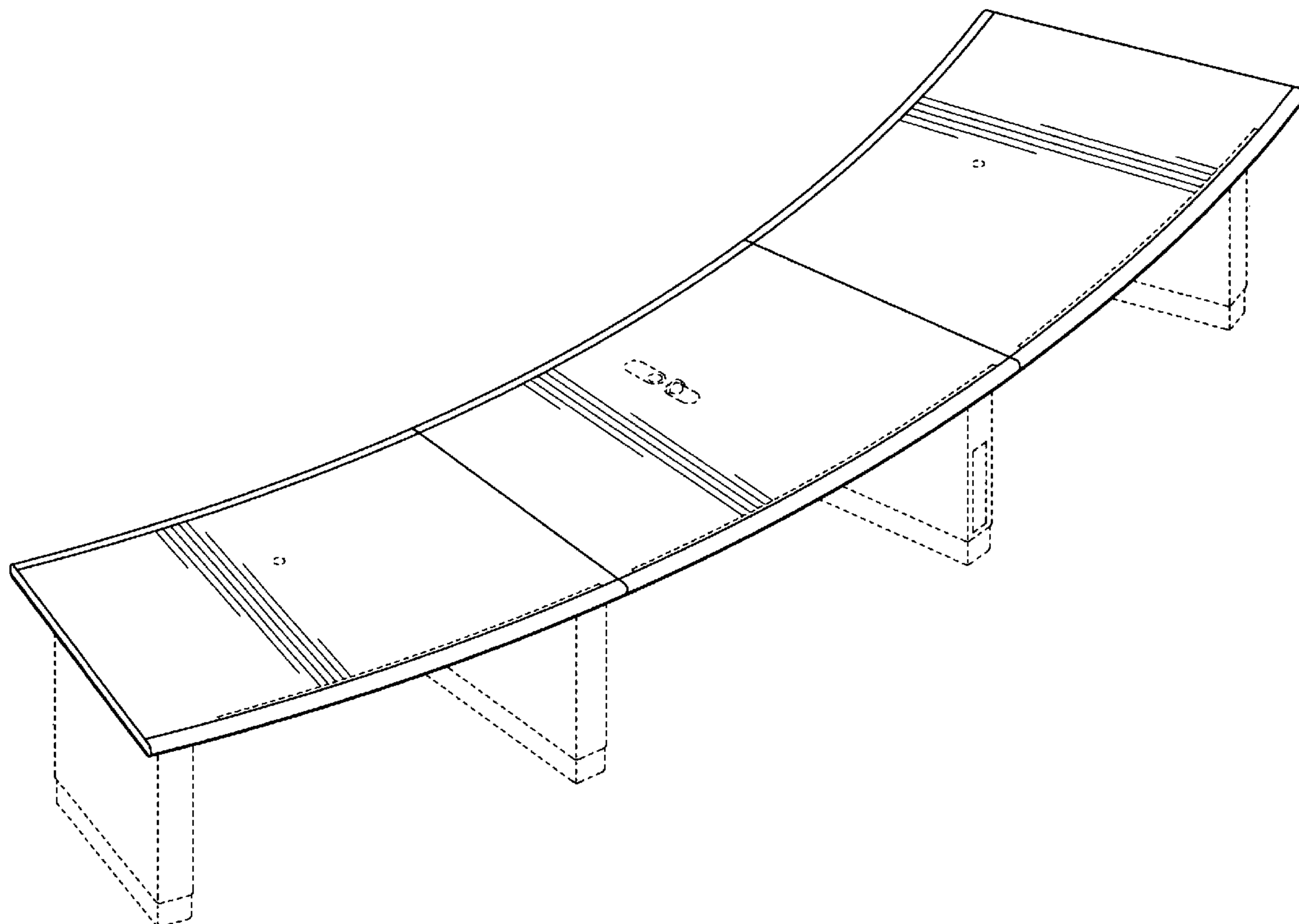
The broken or dashed lines shown in the drawings are for illustrative purposes only and form no part of the claimed design.

**U.S. PATENT DOCUMENTS**

D333,228 S \* 2/1993 Hosoe ..... D6/482

D401,775 S \* 12/1998 Alexander et al. .... D6/426

**1 Claim, 3 Drawing Sheets**



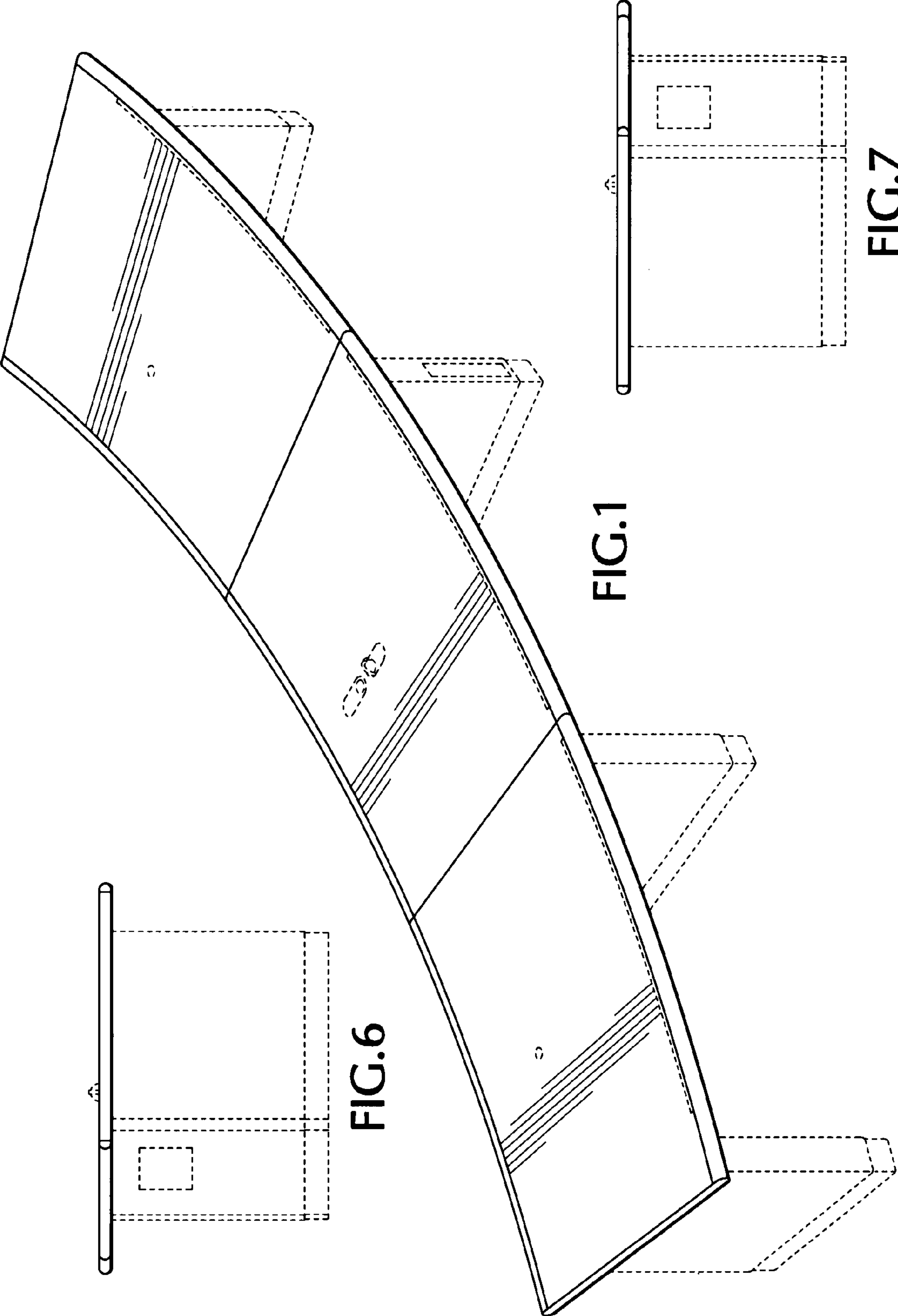


FIG. 6

FIG. 1

FIG. 7

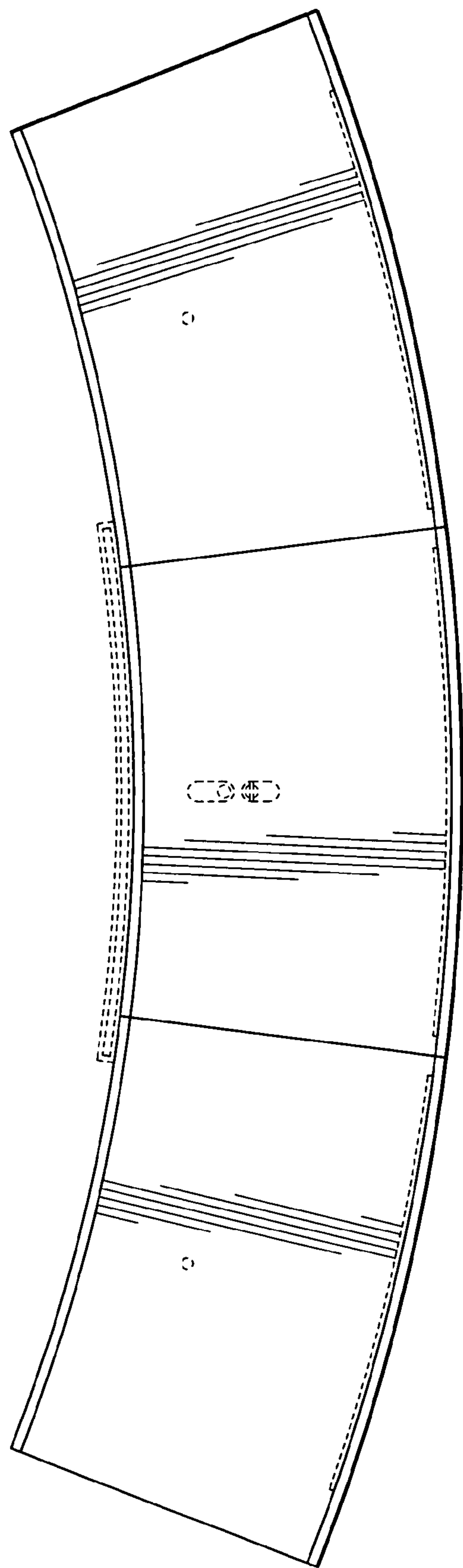


FIG. 2

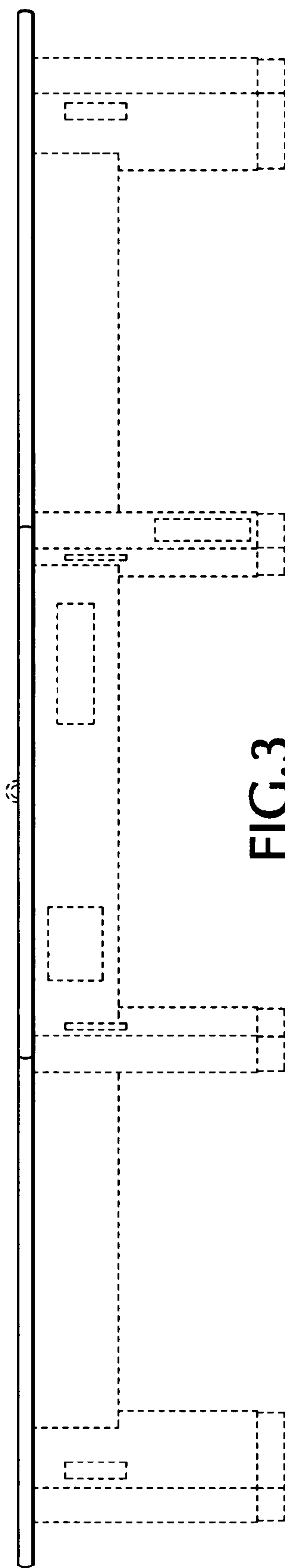


FIG. 3

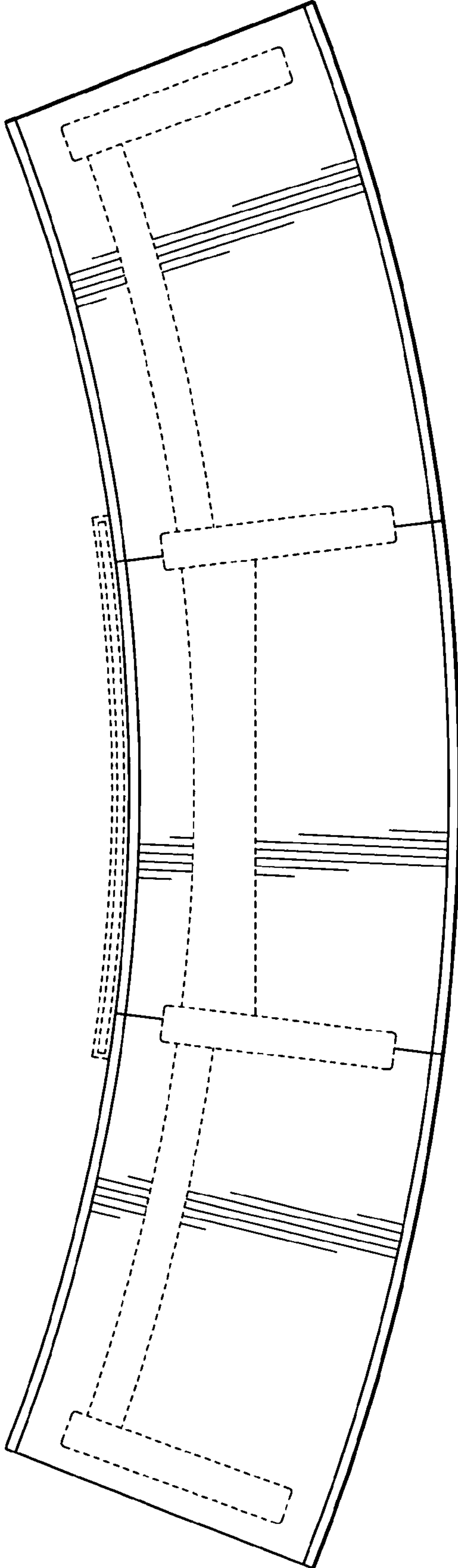


FIG. 4

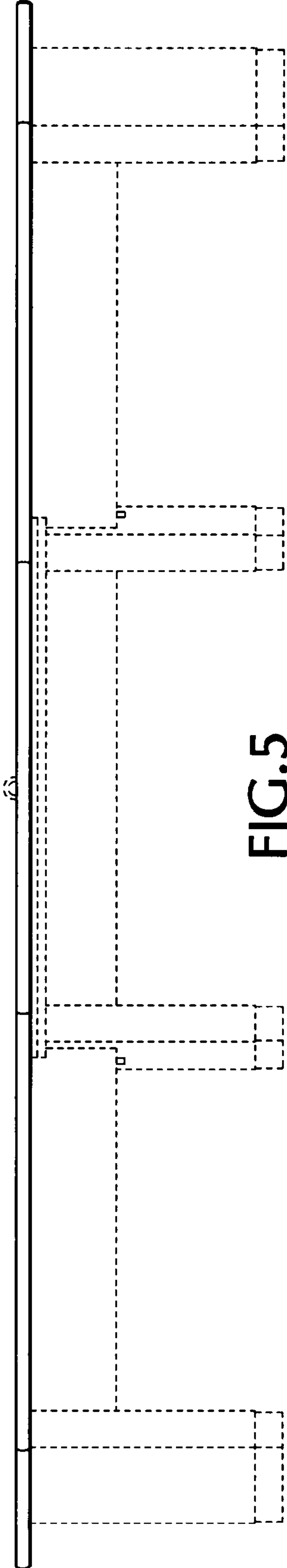


FIG. 5