



US00D576821S

(12) **United States Design Patent**
Fisette et al.

(10) **Patent No.:** **US D576,821 S**
(45) **Date of Patent:** **** Sep. 16, 2008**

(54) **FOLDABLE TABLE FOR AIRCRAFT INTERIORS**

D366,783 S * 2/1996 Madimenos et al. D6/429
D375,216 S * 11/1996 Intardonato D6/481
6,347,590 B1 * 2/2002 D'Annunzio et al. 108/44
D456,172 S * 4/2002 Couture et al. D6/432

(75) Inventors: **Armand Fisette**, Thousand Oaks, CA (US); **Magnus Aspegren**, Santa Monica, CA (US)

* cited by examiner

(73) Assignee: **Embraer - Empresa Brasileira De Aeronautica S.A.**, Sao Jose Dos Campos - SP (BR)

Primary Examiner—Janice E Seeger
(74) *Attorney, Agent, or Firm*—Nixon & Vanderhye P.C.

(**) Term: **14 Years**

(57) **CLAIM**

(21) Appl. No.: **29/296,622**

The ornamental design for a “foldable table for aircraft interiors,” as shown and described.

(22) Filed: **Oct. 24, 2007**

DESCRIPTION

(51) **LOC (8) Cl.** **06-03**

FIG. 1 is a top front perspective view of a foldable table for aircraft interiors which embodies my new and original design therefore;

(52) **U.S. Cl.** **D6/429; D6/483; D6/432**

FIG. 2 front elevational view thereof;

(58) **Field of Classification Search** D6/480–489, D6/495, 432, 440, 441, 429–431; 108/115, 108/44, 150, 161; 244/118.5; 296/37.13, 296/37.14; 297/188.15, 145

FIG. 3 is a rear elevational view thereof;

See application file for complete search history.

FIG. 4 is a top plan view thereof;

FIG. 5 is a bottom plan view thereof; and,

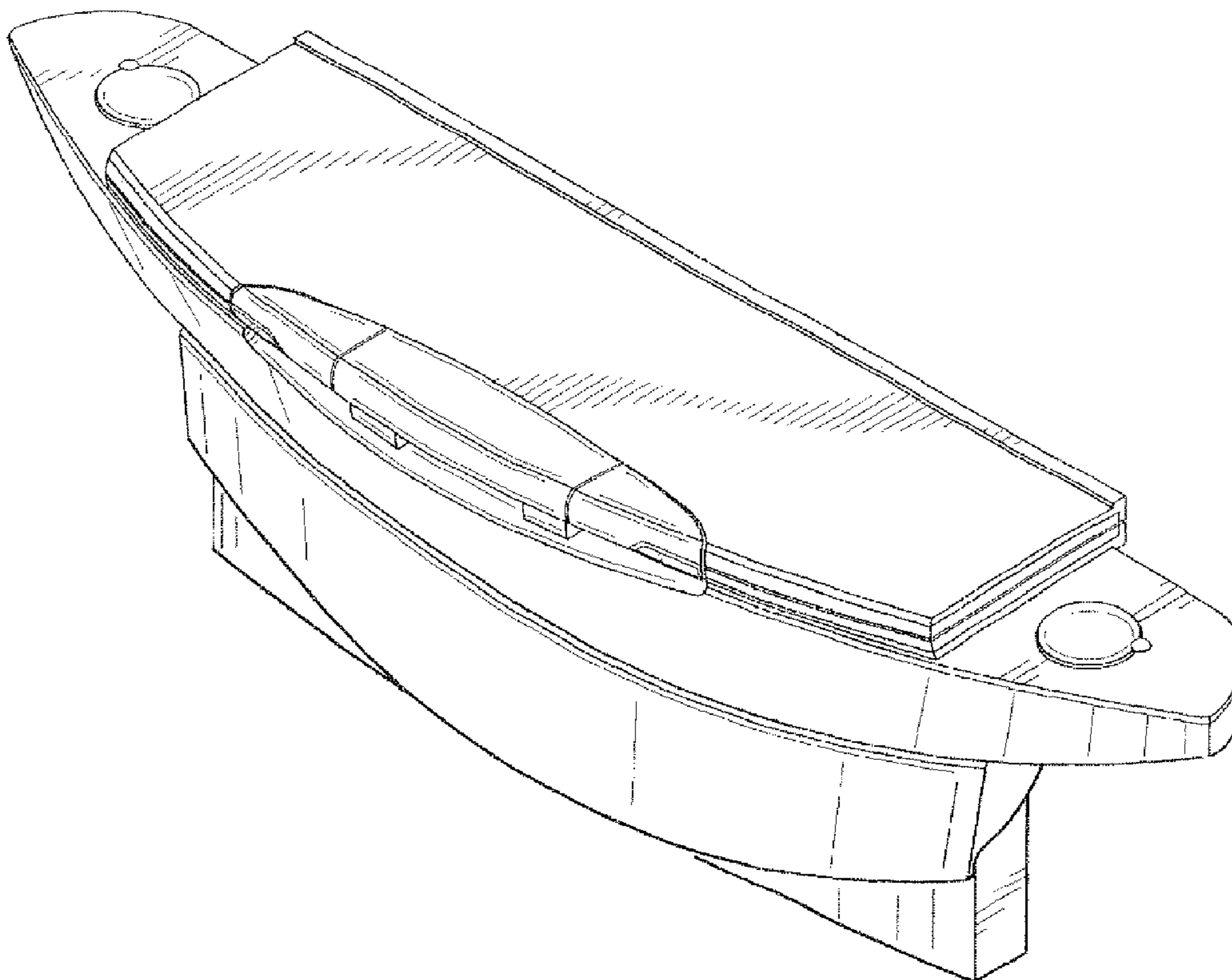
(56) **References Cited**

FIG. 6 is a right side elevational view thereof, the left side elevational view being a mirror image thereof.

U.S. PATENT DOCUMENTS

D157,362 S * 2/1950 Francis D6/441

1 Claim, 6 Drawing Sheets



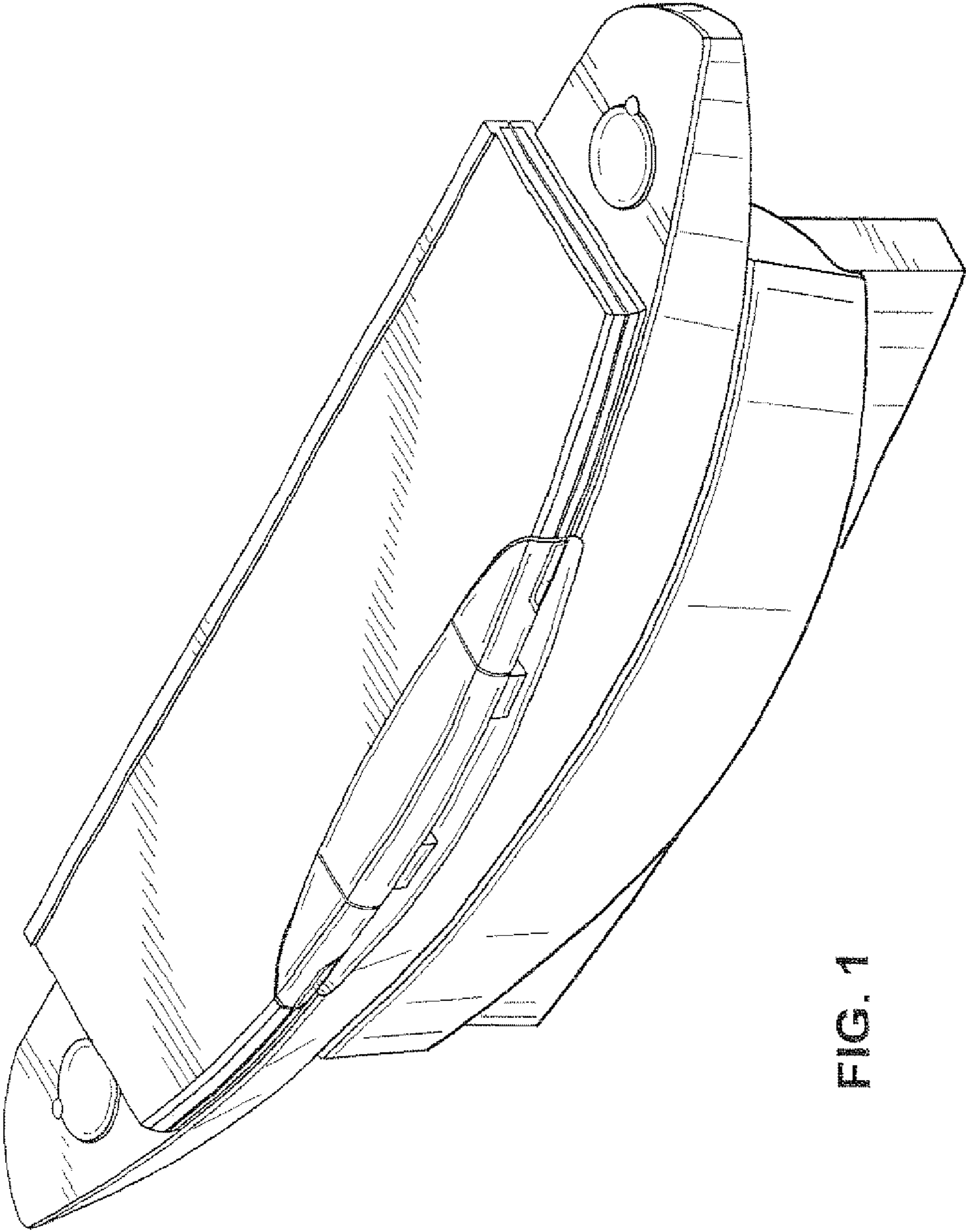


FIG. 1

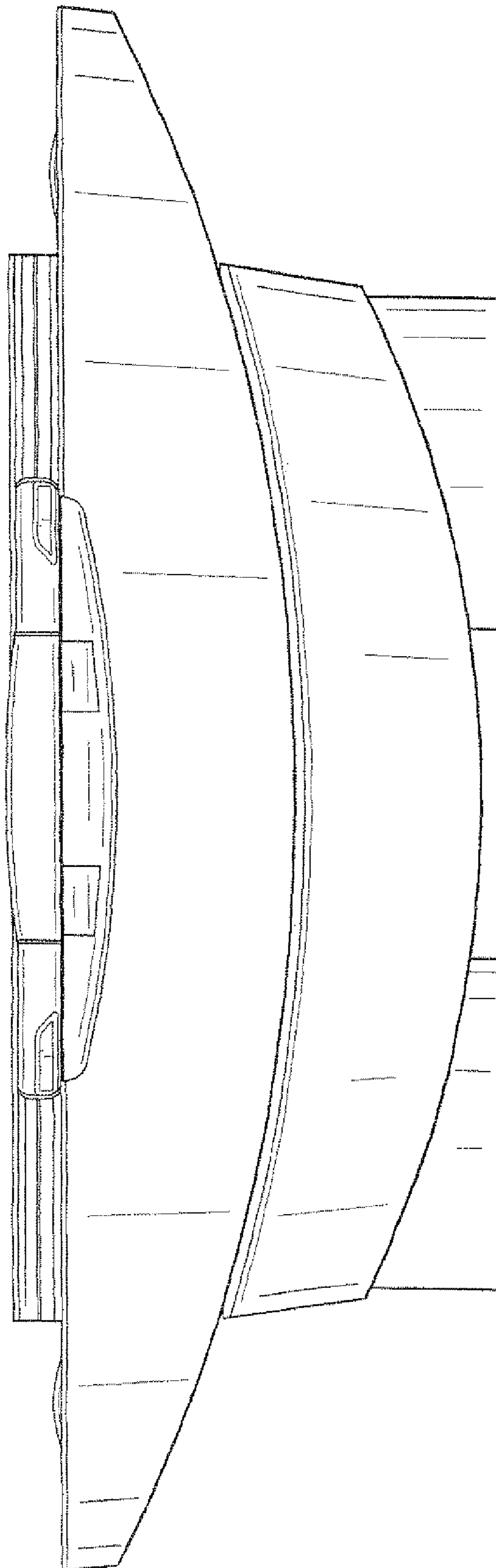


FIG. 2

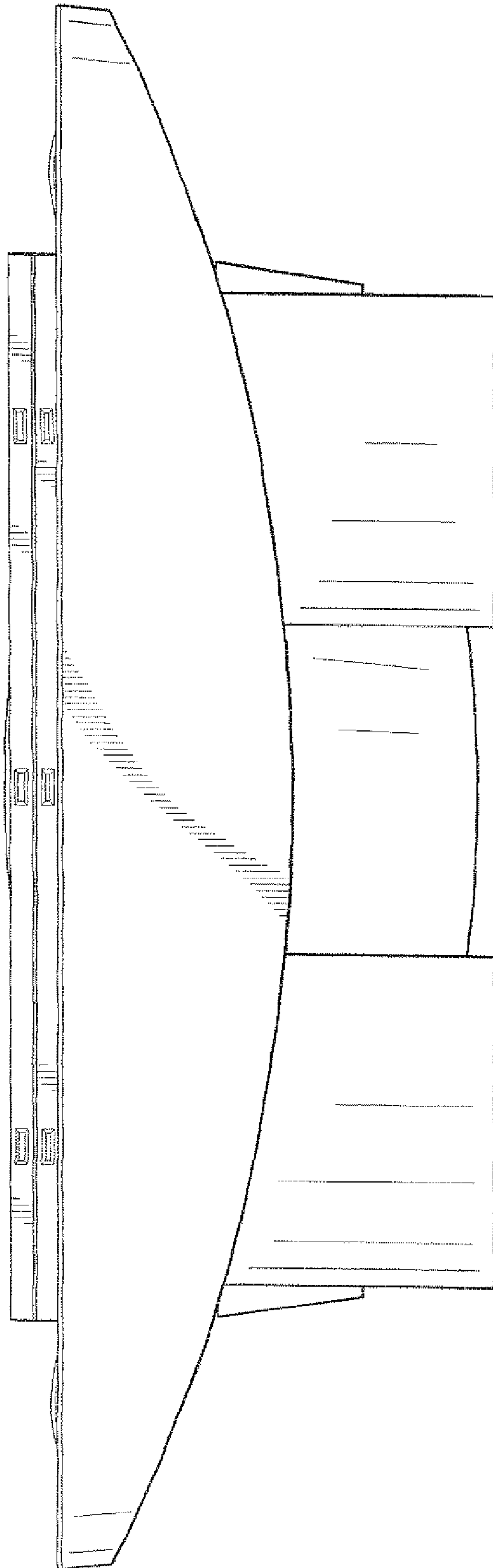


FIG. 3

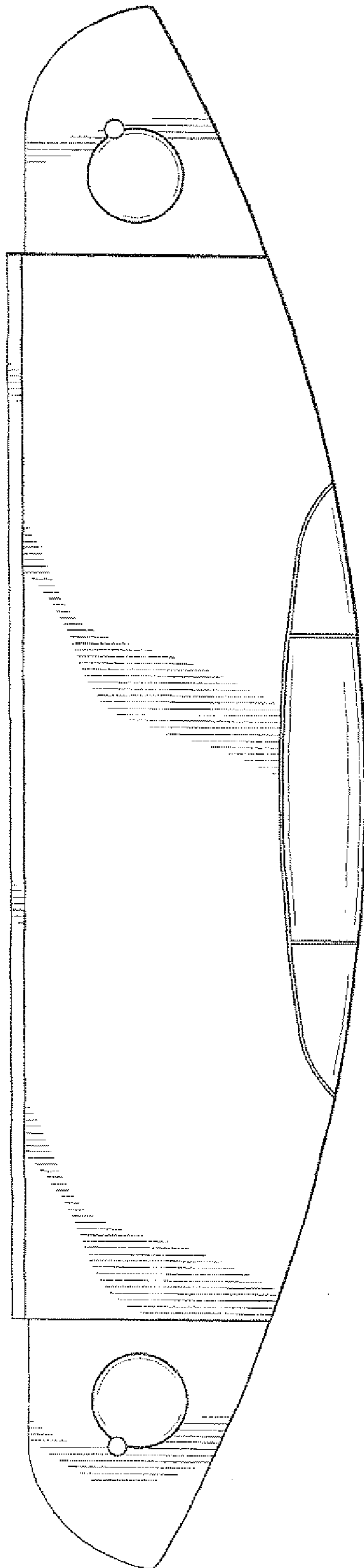


FIG. 4

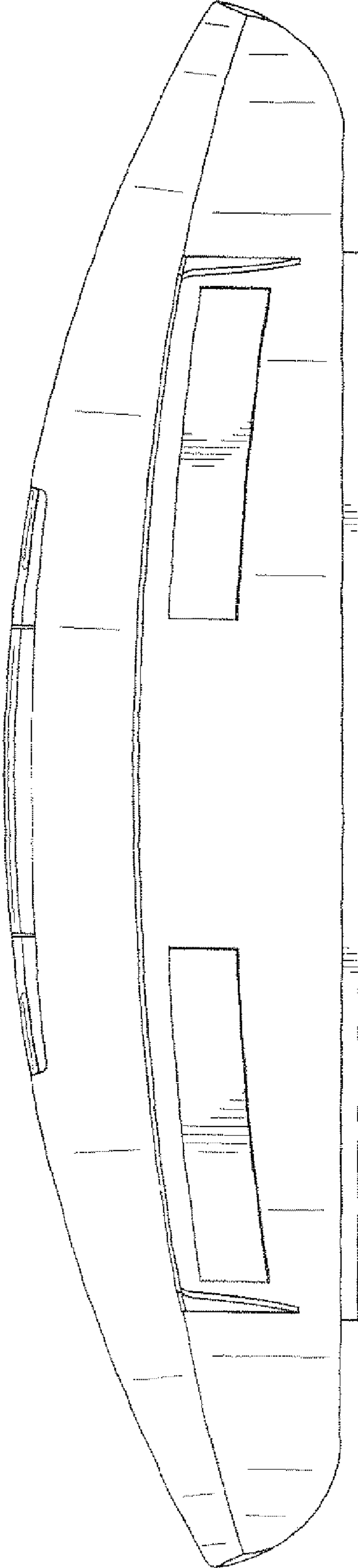


FIG. 5

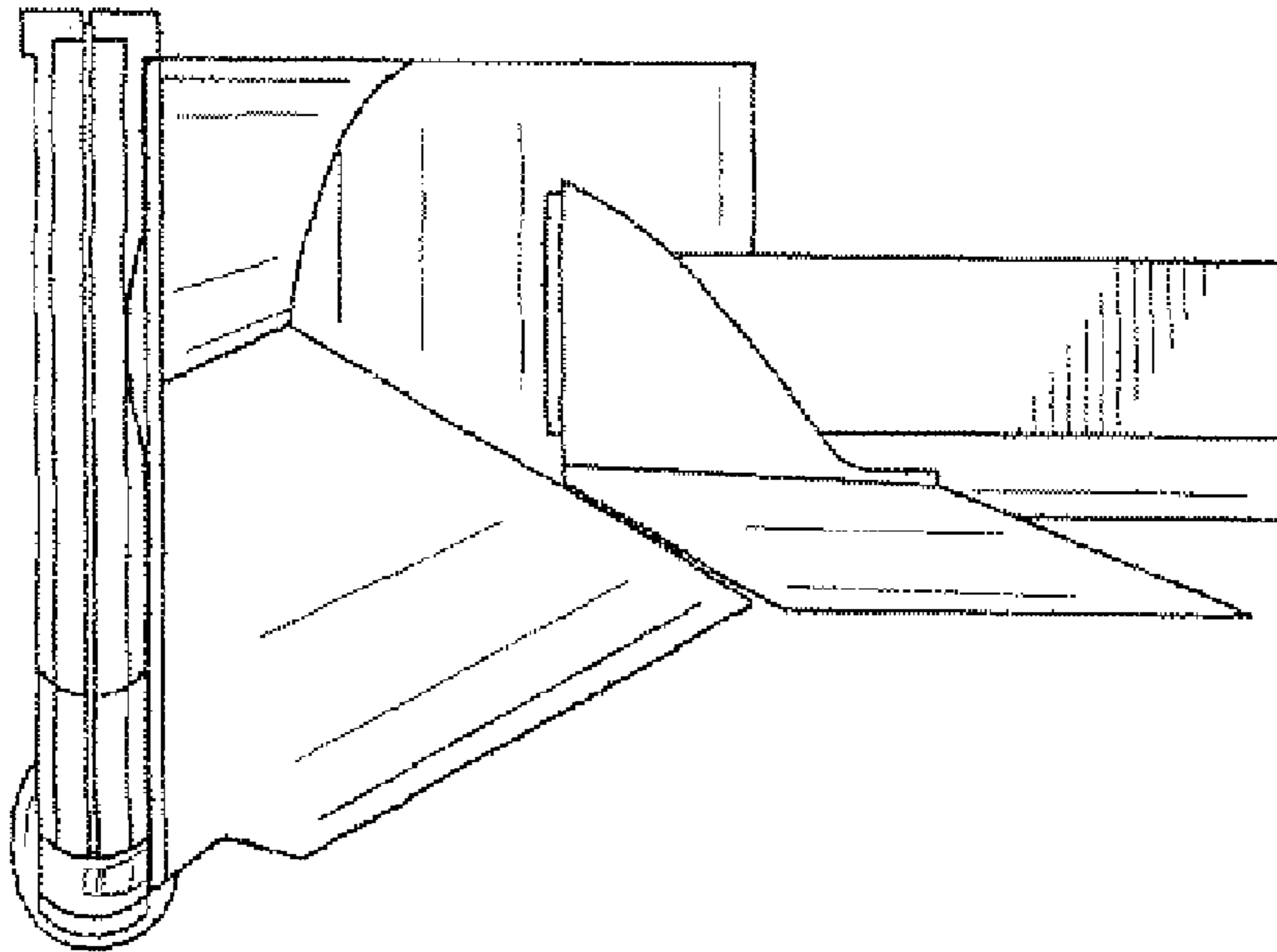


FIG. 6