



US00D576817S

(12) **United States Design Patent**
Sienkowski

(10) **Patent No.:** **US D576,817 S**
(45) **Date of Patent:** **** Sep. 16, 2008**

(54) **CHAIR**

D529,726 S 10/2006 Cutler et al.
D564,772 S * 3/2008 Alter Molina et al. D6/375

(75) Inventor: **Bruce Sienkowski**, Ada, MI (US)

OTHER PUBLICATIONS

(73) Assignee: **Michigan Tube Swagers & Fabricators, Inc.**, Temperance, MI (US)

Photo of Eli Chair (believed to have been offered for sale, publicly used, and/or published prior to the filing date of this application).

(**) Term: **14 Years**

* cited by examiner

(21) Appl. No.: **29/284,094**

Primary Examiner—Mimosa De

(22) Filed: **Aug. 30, 2007**

(74) *Attorney, Agent, or Firm*—Gifford, Krass, Sprinkle, Anderson & Citkowski, PC

(51) **LOC (8) Cl.** **06-01**

(57) **CLAIM**

(52) **U.S. Cl.** **D6/374; D6/360**

The ornamental design for a chair, as shown and described.

(58) **Field of Classification Search** D6/334–336,
D6/349, 360, 369, 370, 371–373, 374, 375,
D6/376, 379, 380, 500–502; 297/445.1,
297/446.1, 452.13, 452.19, 452.21, 452.29,
297/461

DESCRIPTION

See application file for complete search history.

FIG. 1 is a perspective view of a first embodiment of a chair according to the present invention;

(56) **References Cited**

U.S. PATENT DOCUMENTS

- D42,618 S * 6/1912 Collins D6/374
- D357,592 S * 4/1995 Kellen D6/360
- D357,594 S * 4/1995 Kellen D6/374
- D368,379 S * 4/1996 Muller D6/360
- D396,563 S 8/1998 Meijer et al.
- D409,848 S 5/1999 Staubach et al.
- D411,382 S * 6/1999 Graham D6/380
- D431,380 S * 10/2000 Hutton D6/360
- D458,467 S 6/2002 Starck et al.
- D460,282 S 7/2002 Starck et al.
- D468,918 S * 1/2003 de Blois D6/360
- D475,212 S 6/2003 Savini et al.
- D475,543 S 6/2003 Savini et al.
- D485,085 S * 1/2004 Swy et al. D6/380
- D491,383 S * 6/2004 Swy et al. D6/380
- D494,771 S * 8/2004 de Blois D6/380
- D498,937 S * 11/2004 Messier et al. D6/369
- D512,237 S 12/2005 Messier et al.
- D528,813 S * 9/2006 Sienkowski et al. D6/374

FIG. 2 is a front-elevational view of the chair of FIG. 1;

FIG. 3 is a rear elevational view of the chair of FIGS. 1 and 2;

FIG. 4 is a side-elevational view of the chair of FIGS. 1–3;

FIG. 5 is a side-elevational view of the chair of FIGS. 1–4 showing the side opposite the side shown in FIG. 4;

FIG. 6 is a top plan view of the chair of FIGS. 1–5;

FIG. 7 is a bottom view of the chair of FIGS. 1–6;

FIG. 8 is a perspective view of a second embodiment of a chair according to the present invention;

FIG. 9 is a front-elevational view of the chair of FIG. 8;

FIG. 10 is a rear elevational view of the chair of FIGS. 8 and 9;

FIG. 11 is a side-elevational view of the chair of FIGS. 8–10;

FIG. 12 is a side-elevational view of the chair of FIGS. 8–11 showing the side opposite the side shown in FIG. 11;

FIG. 13 is a top plan view of the chair of FIGS. 8–12; and,

FIG. 14 is a bottom view of the chair of FIGS. 8–13.

1 Claim, 8 Drawing Sheets

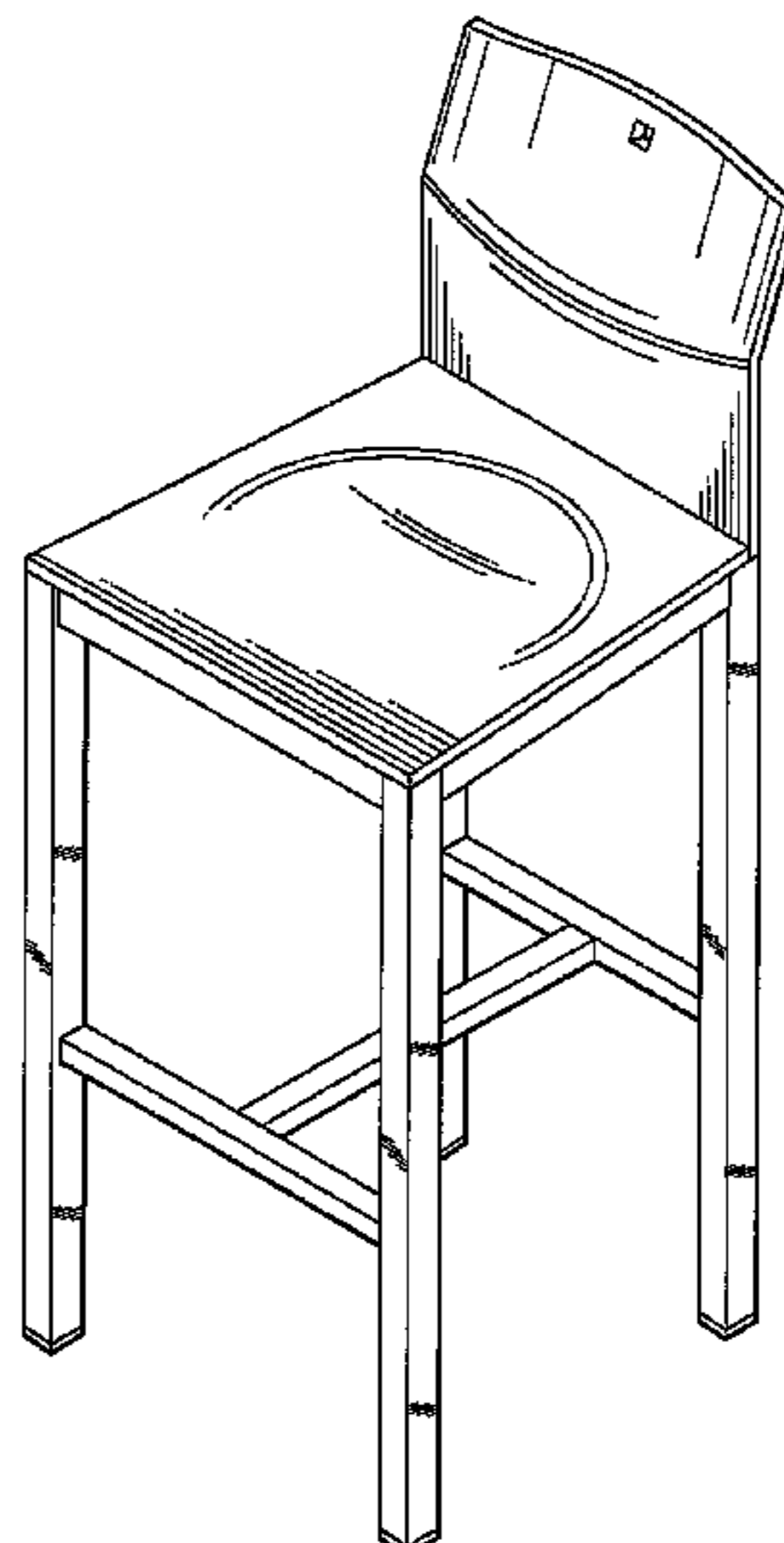
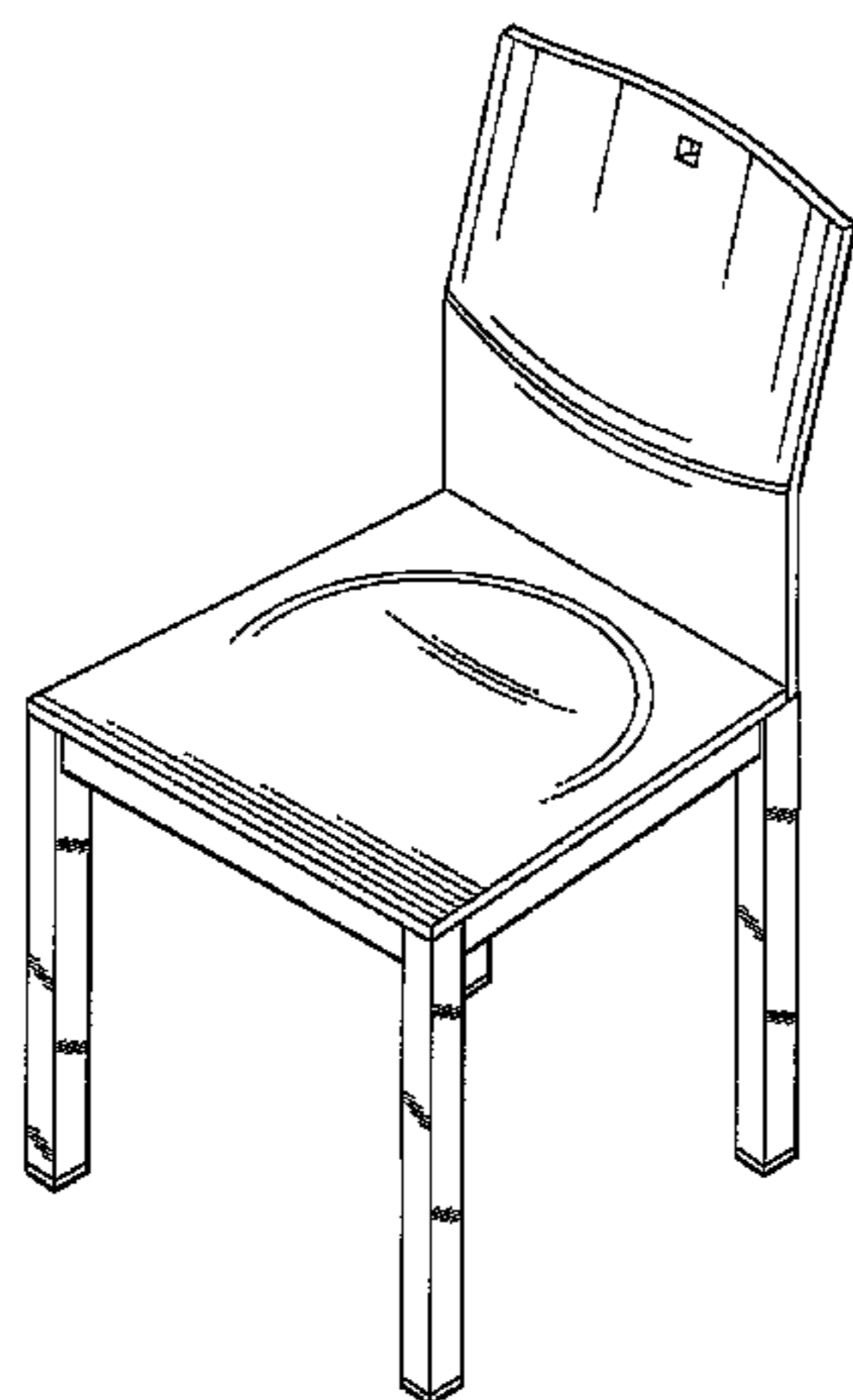
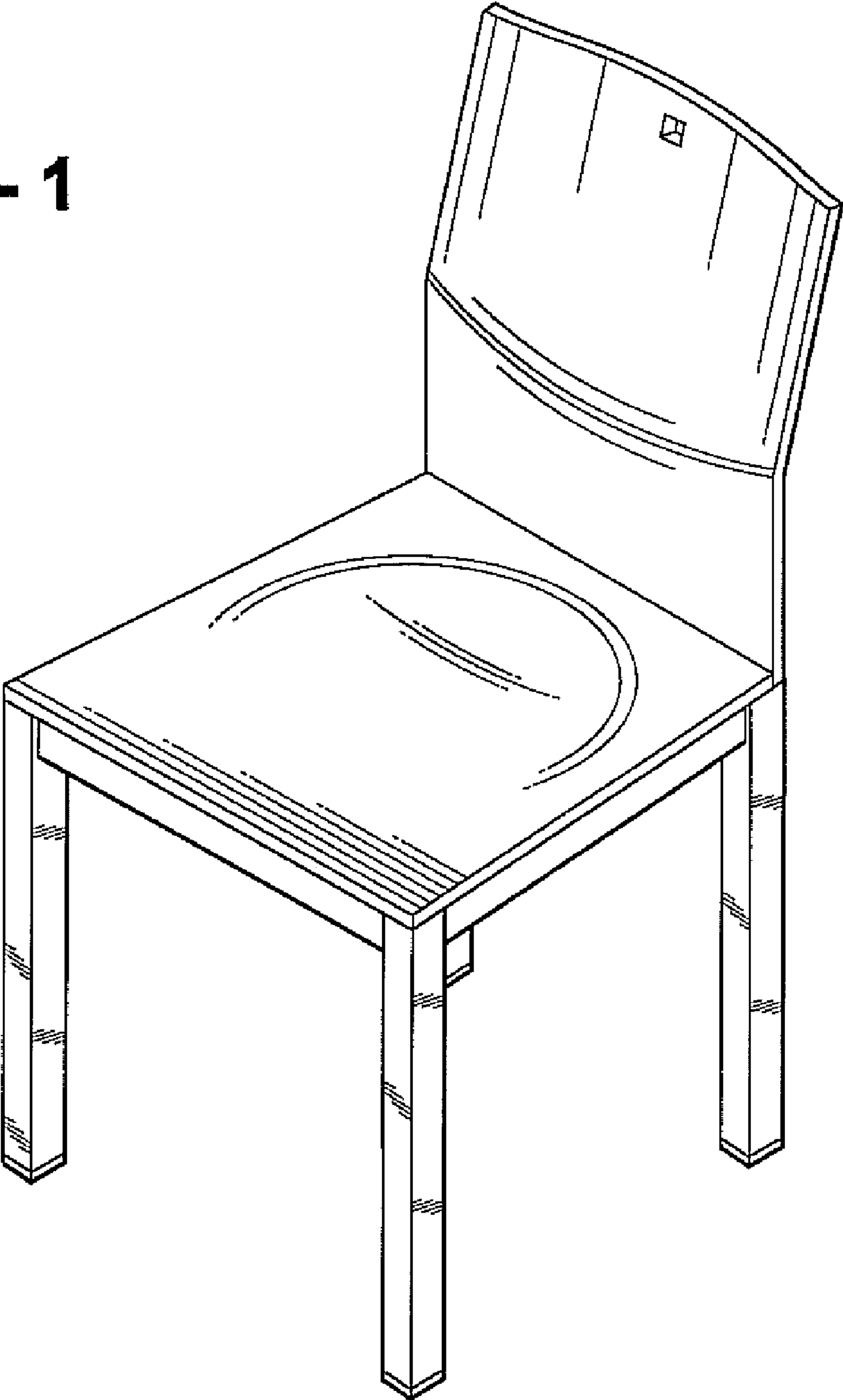


FIG - 1



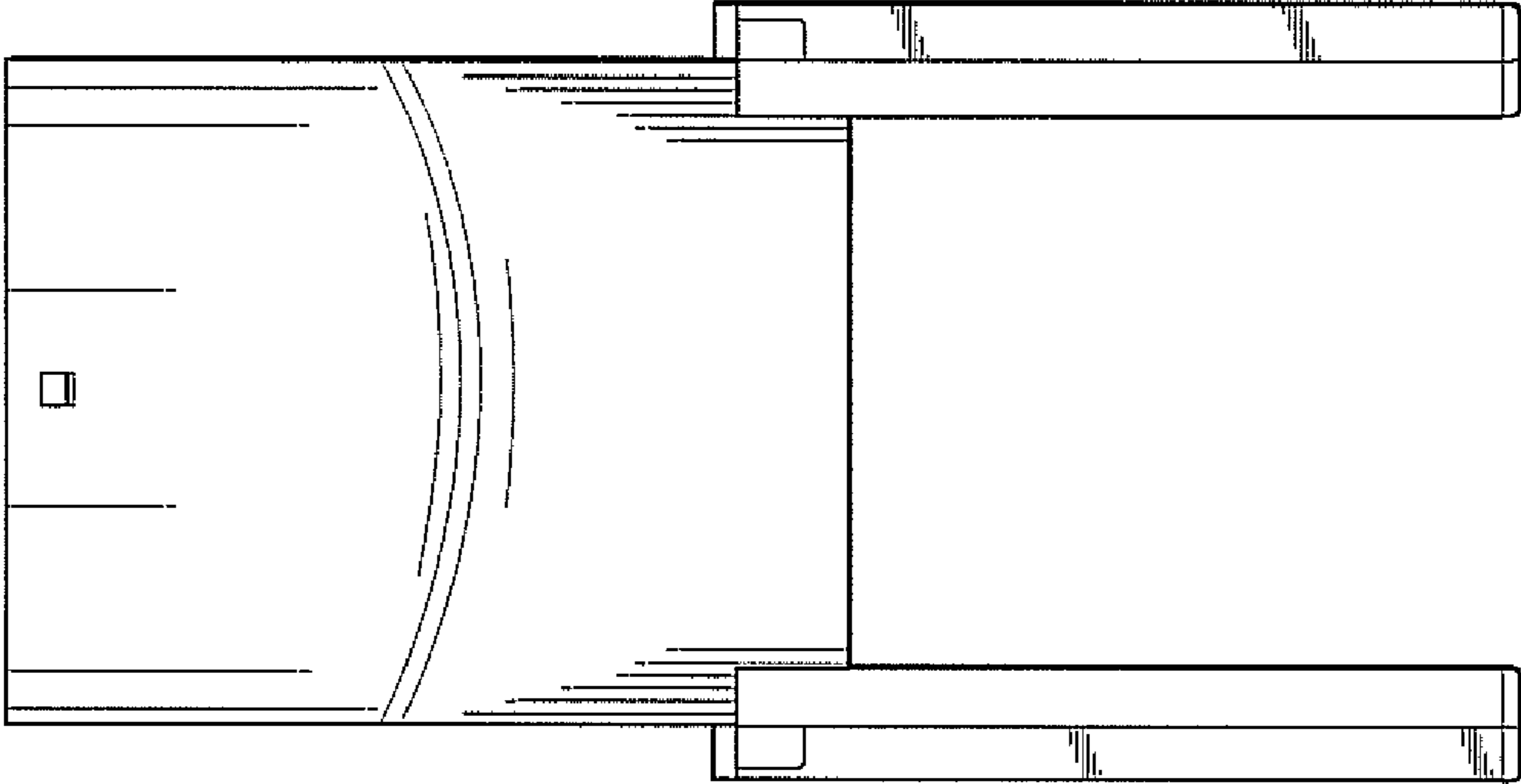


FIG - 3

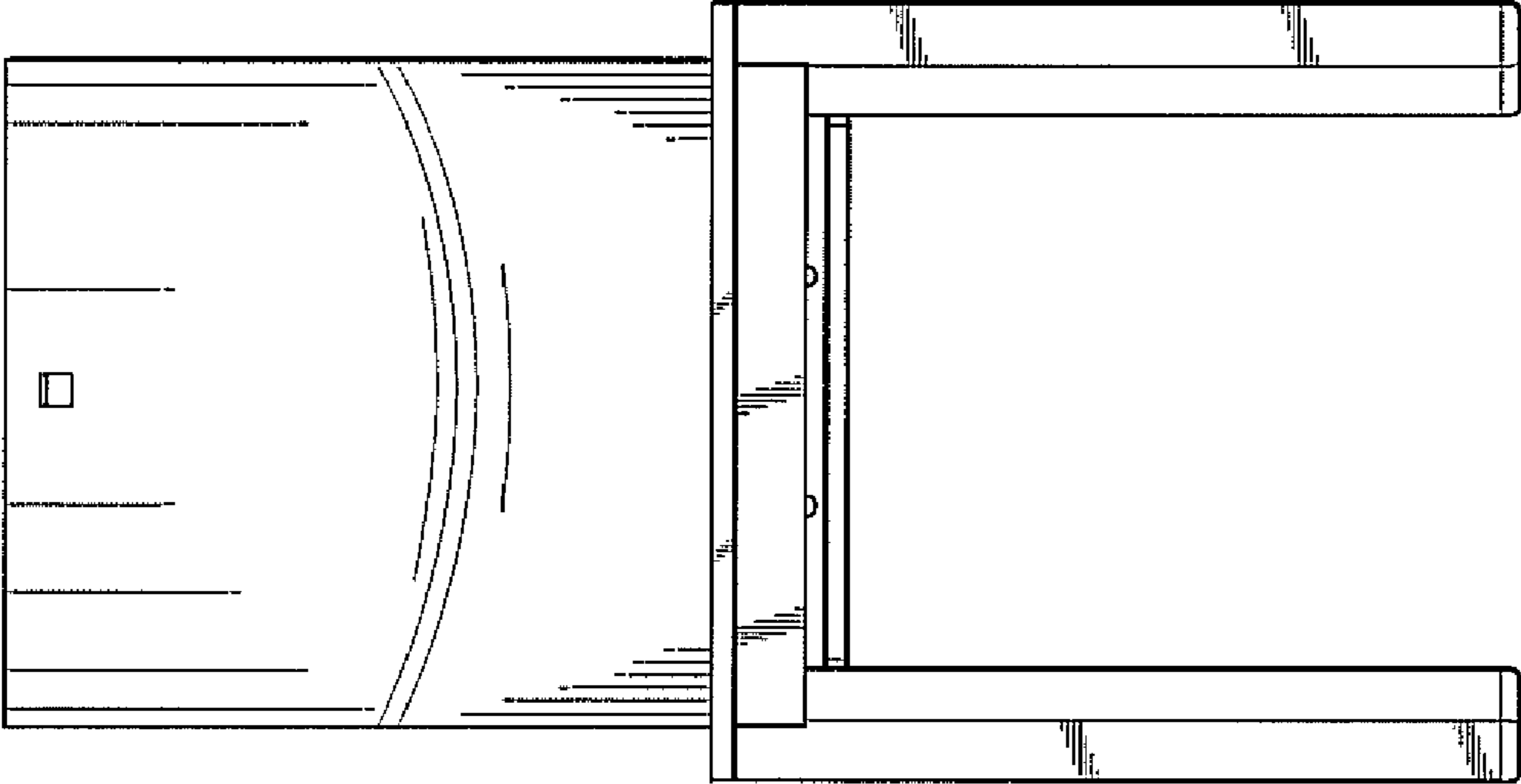


FIG - 2

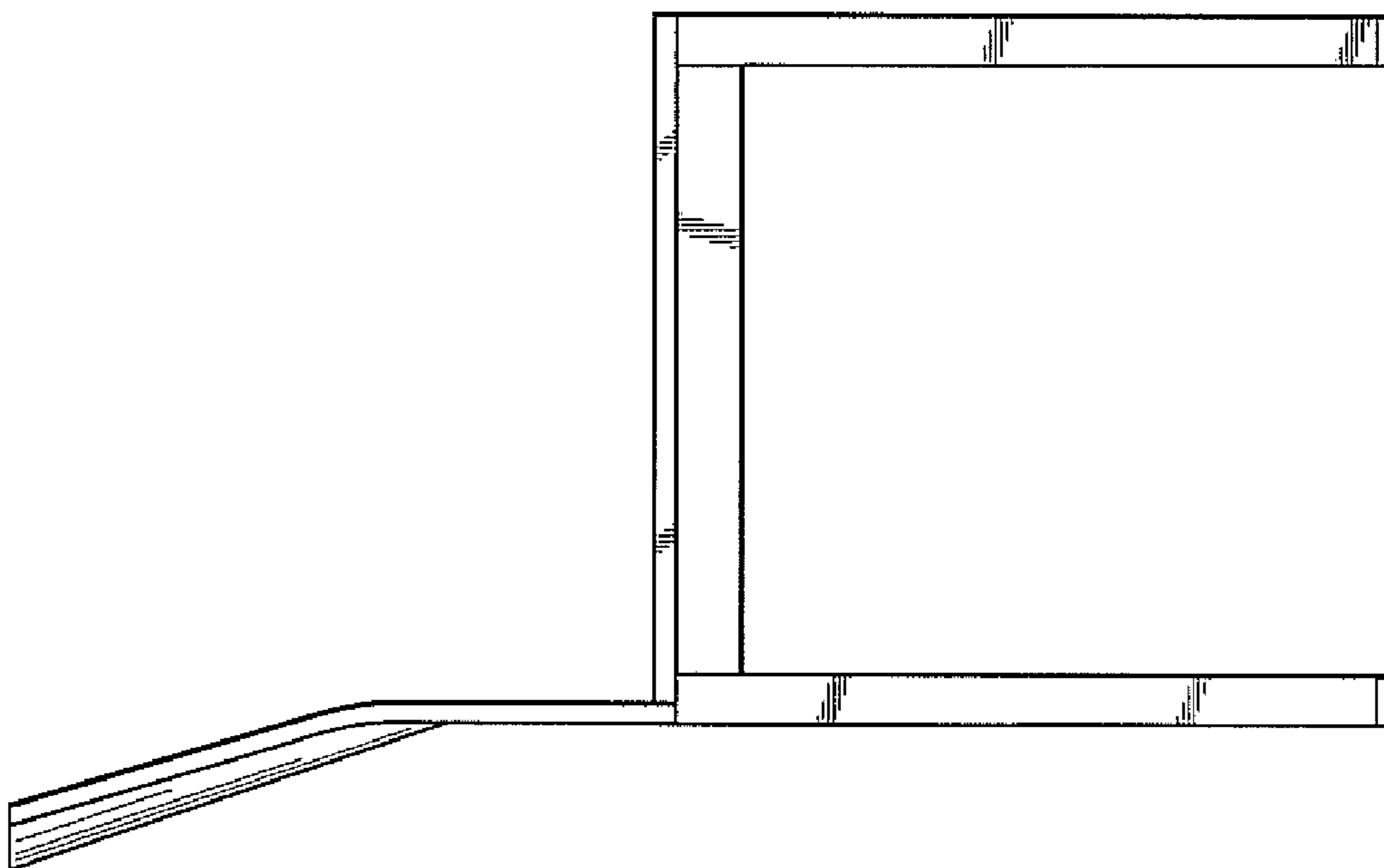


FIG - 5

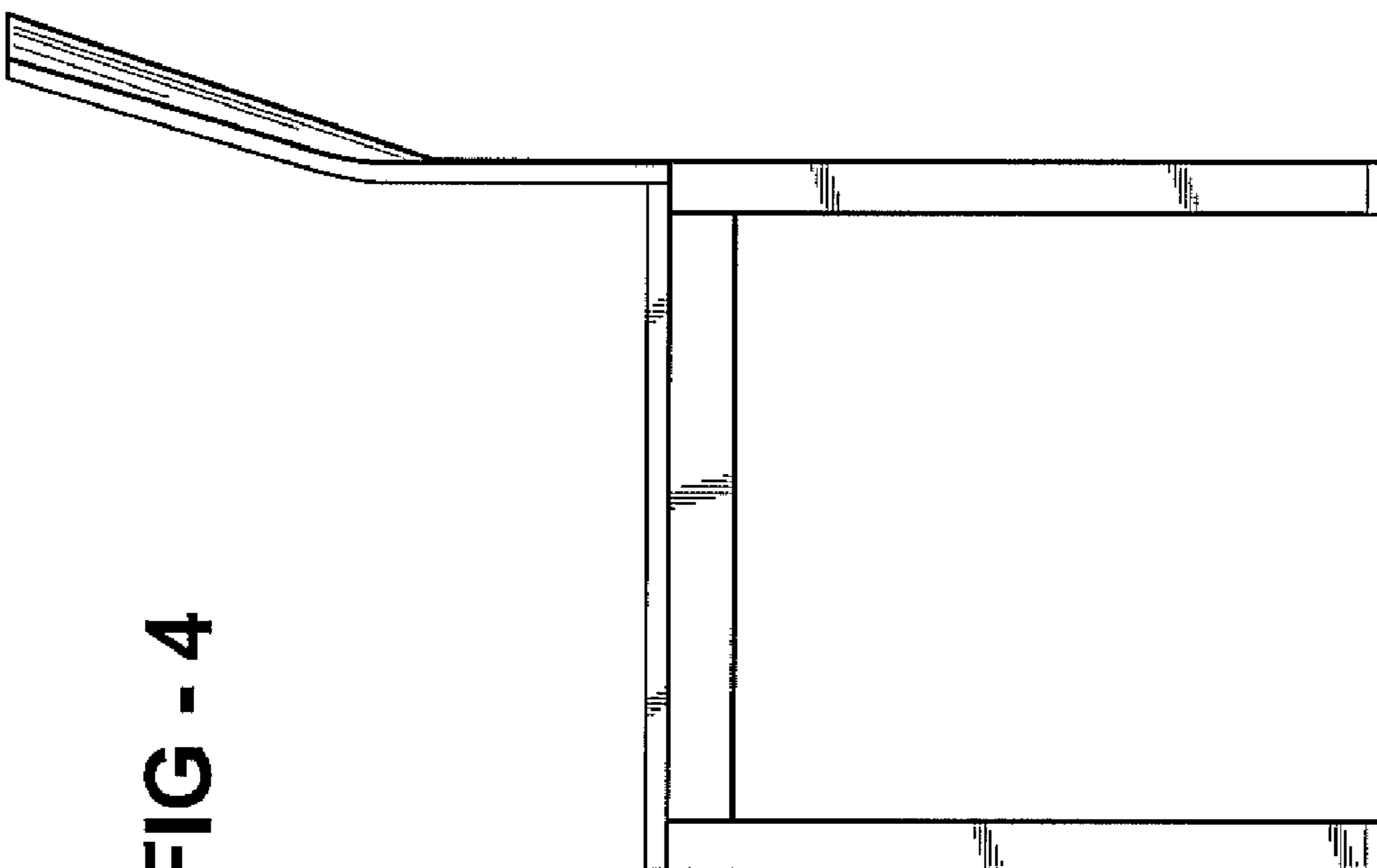


FIG - 4

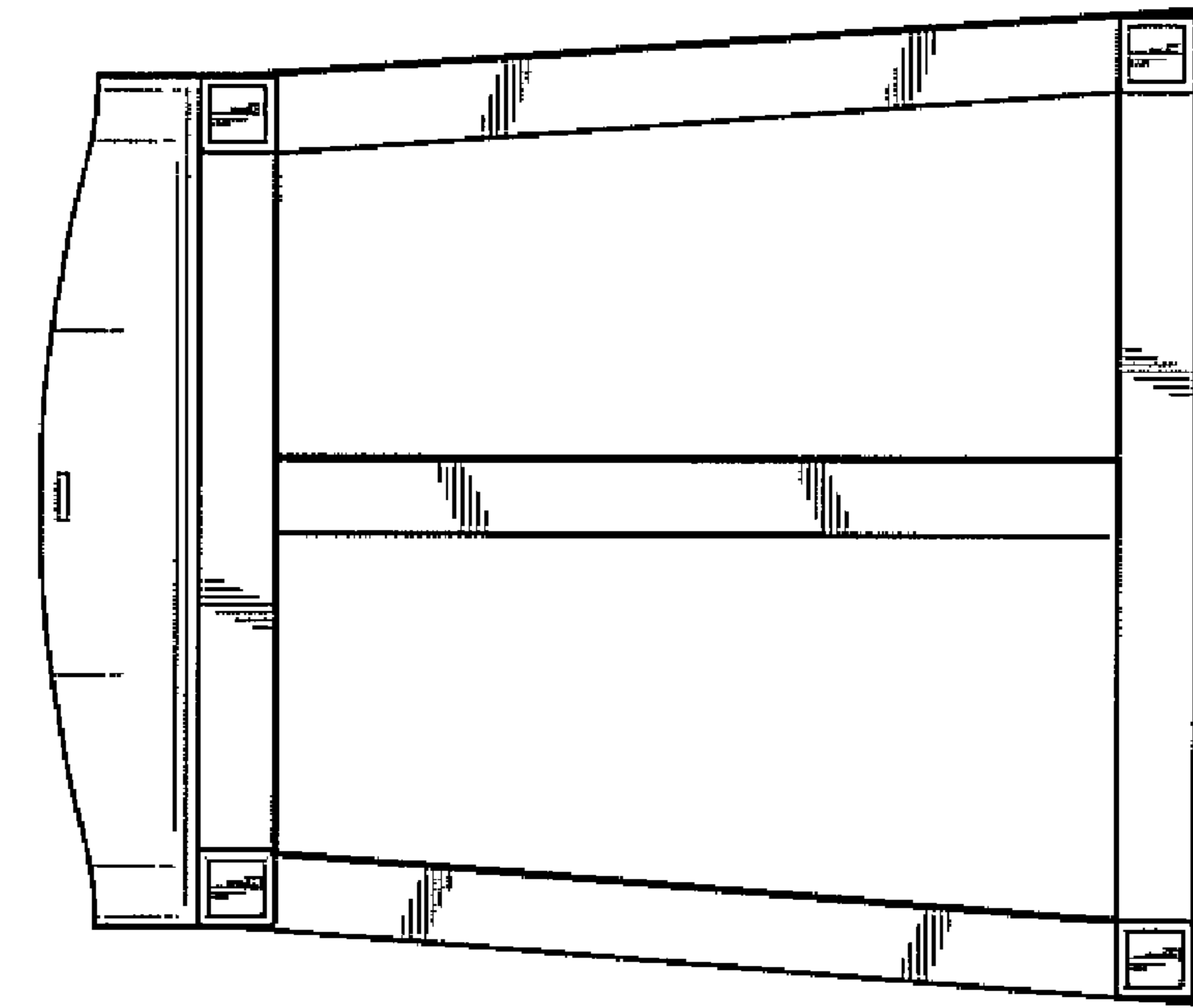


FIG - 6

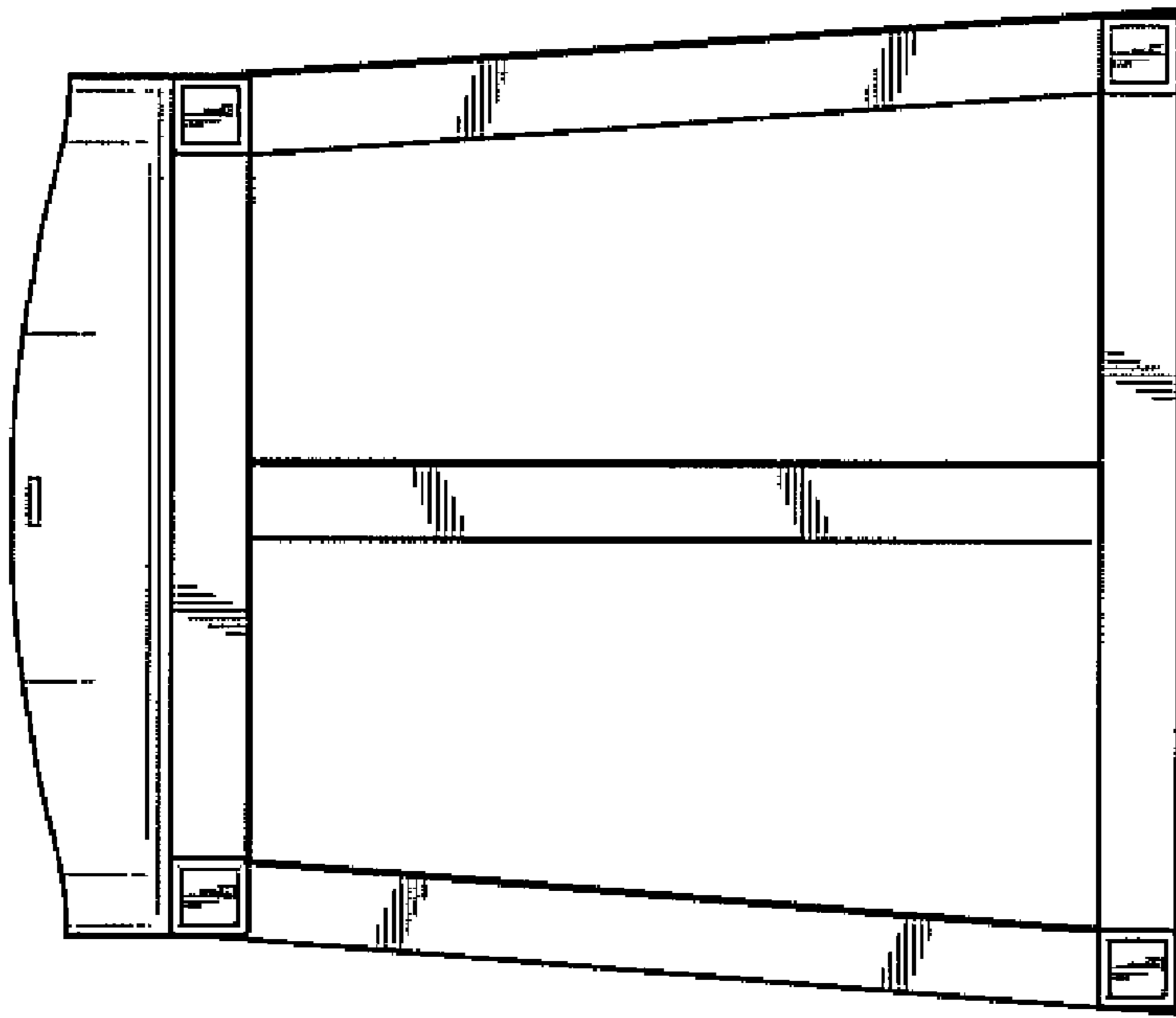
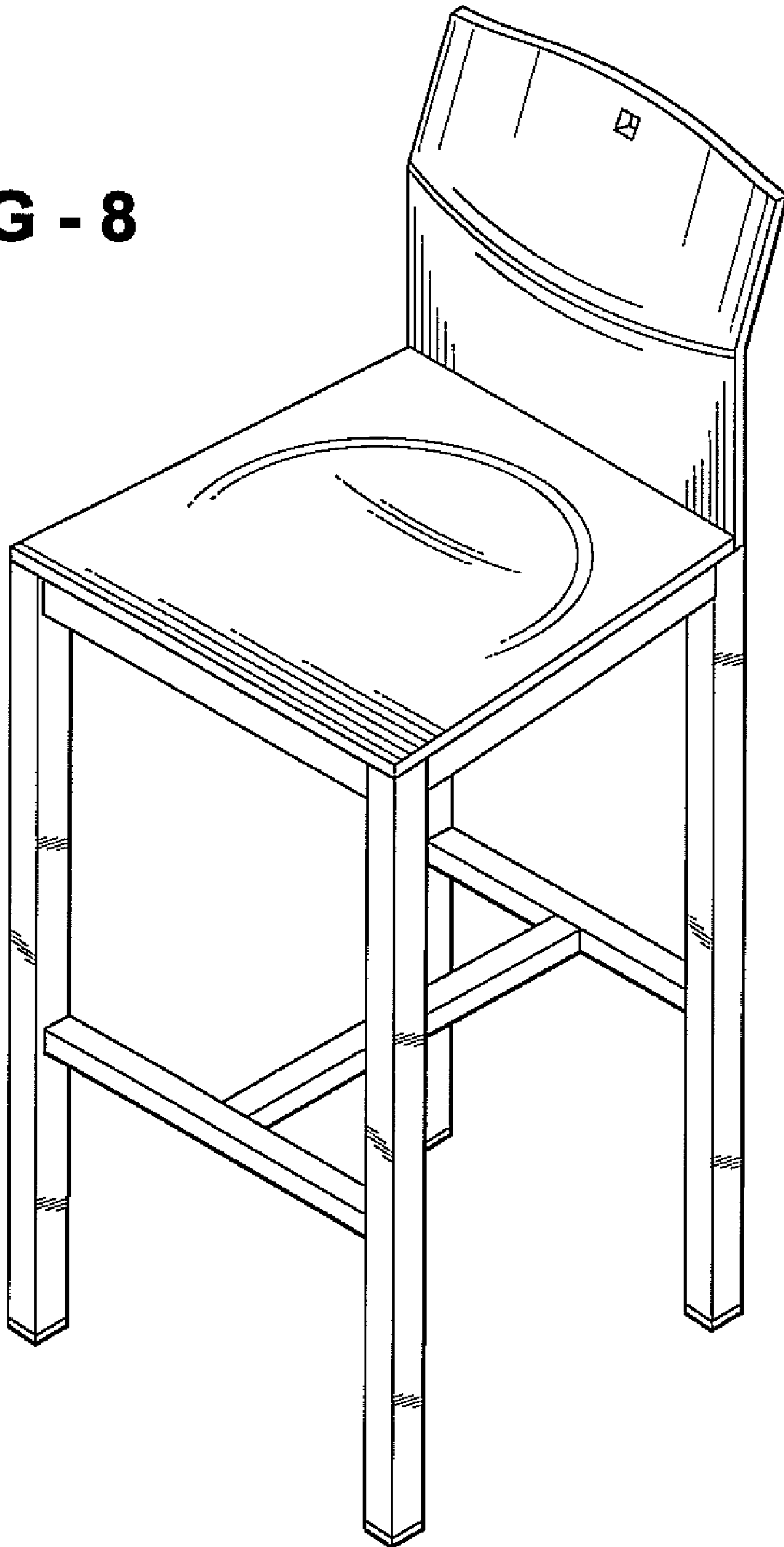


FIG - 7

FIG - 8



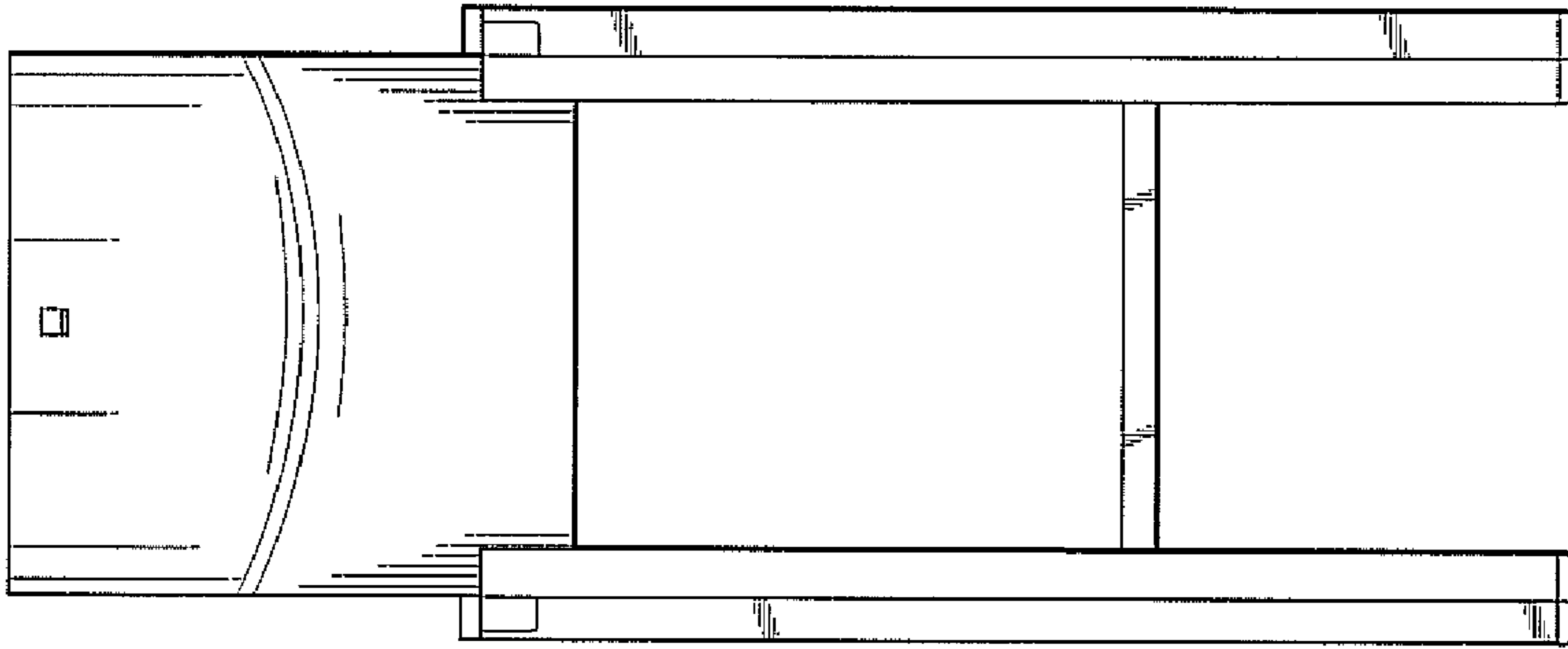


FIG - 10

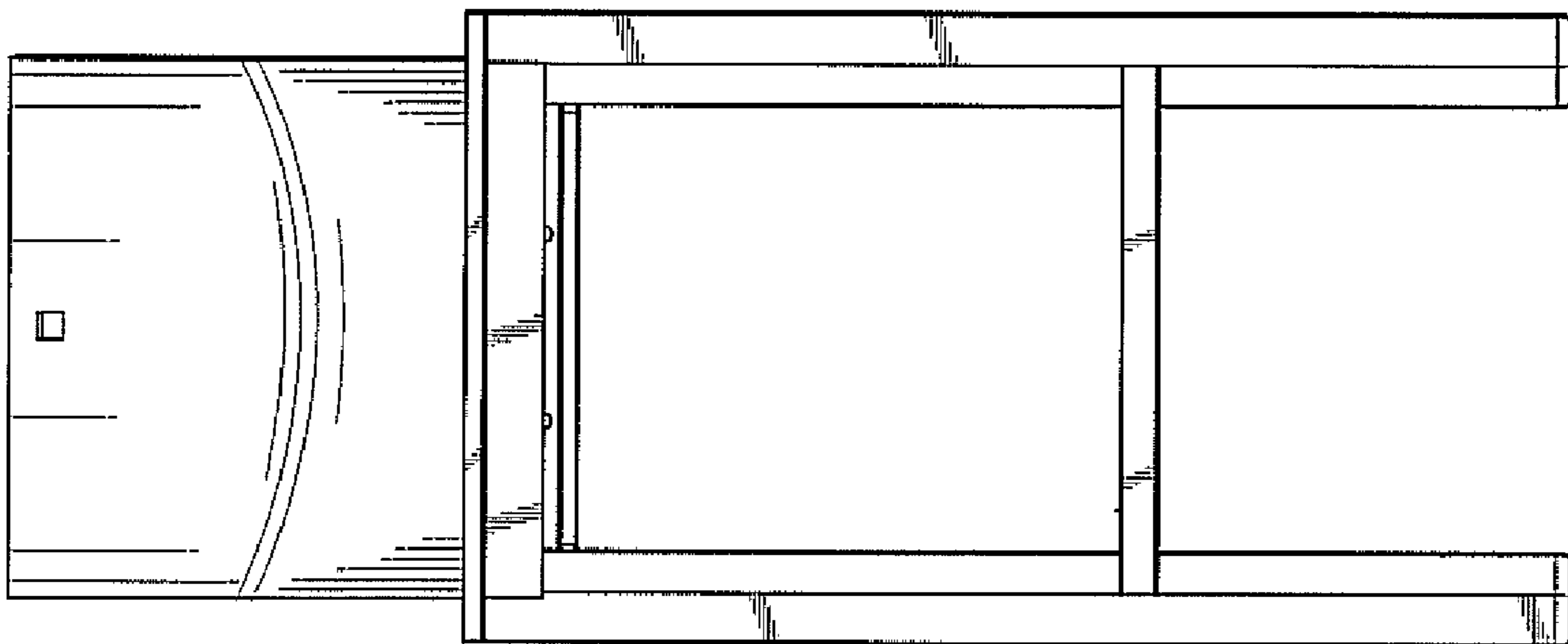


FIG - 9

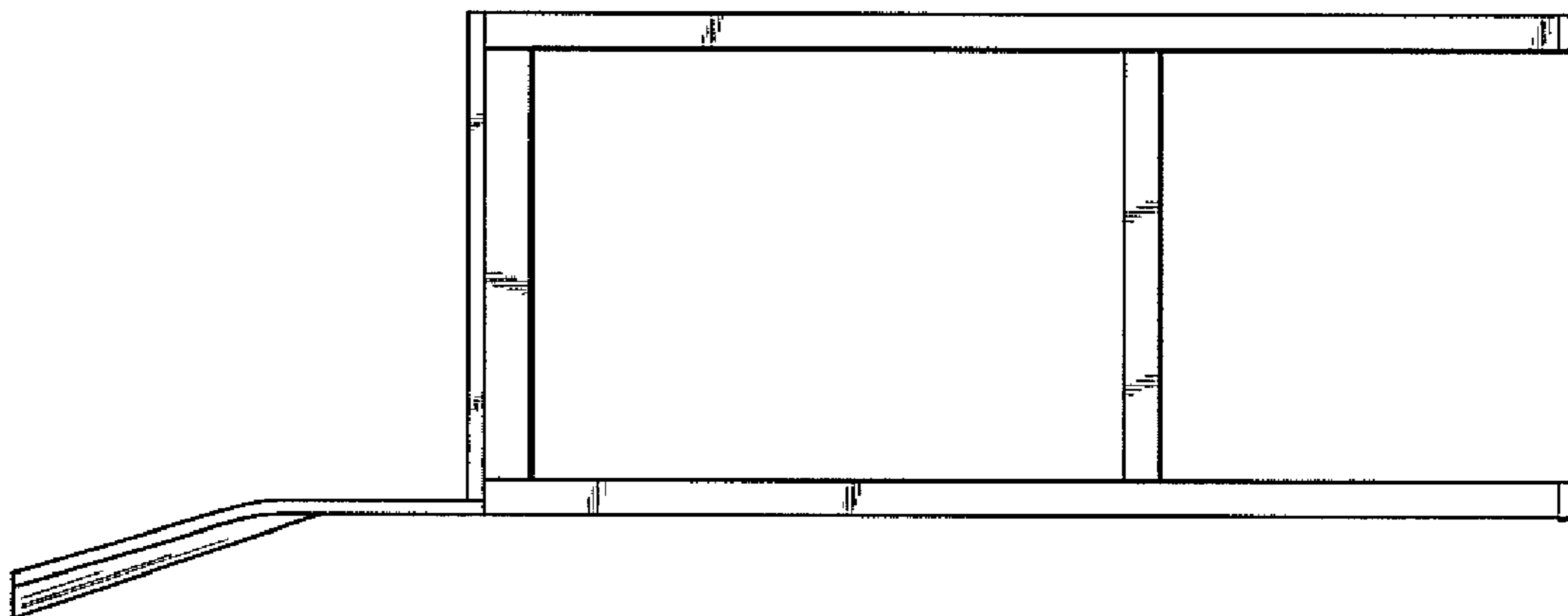


FIG - 12

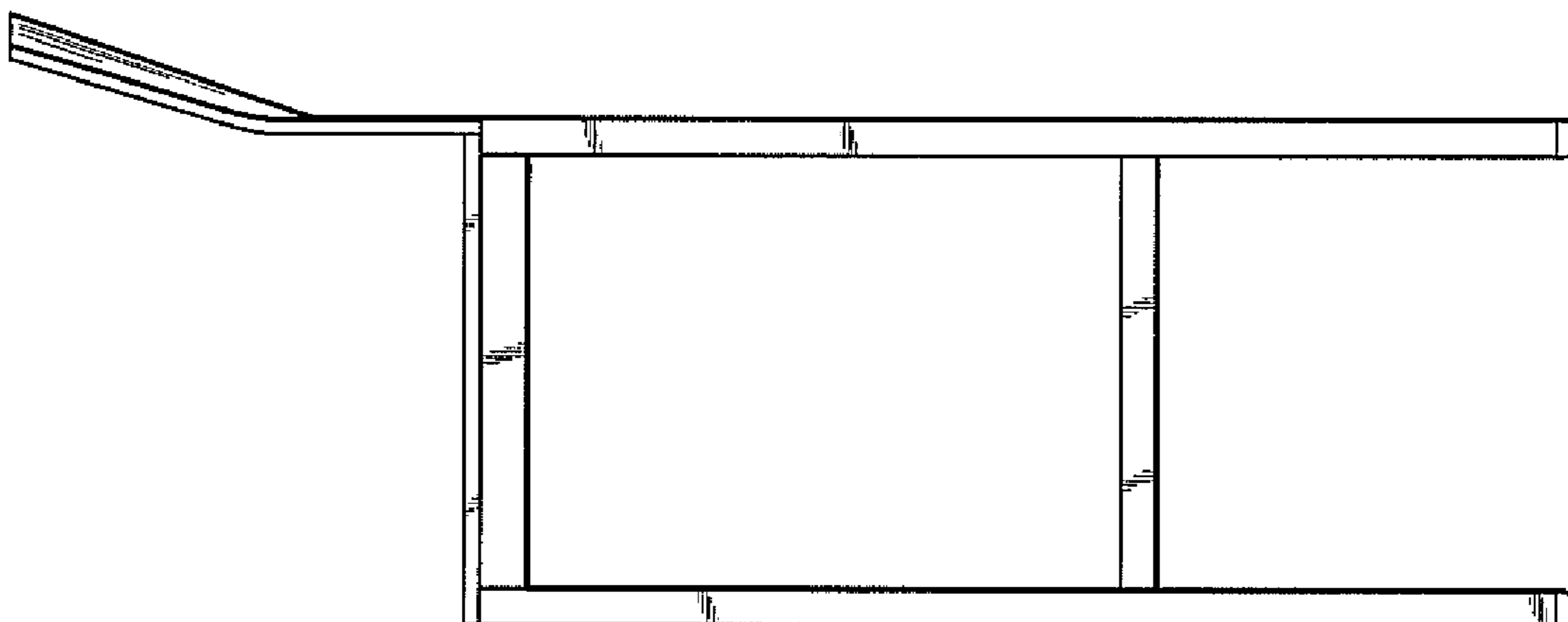


FIG - 11

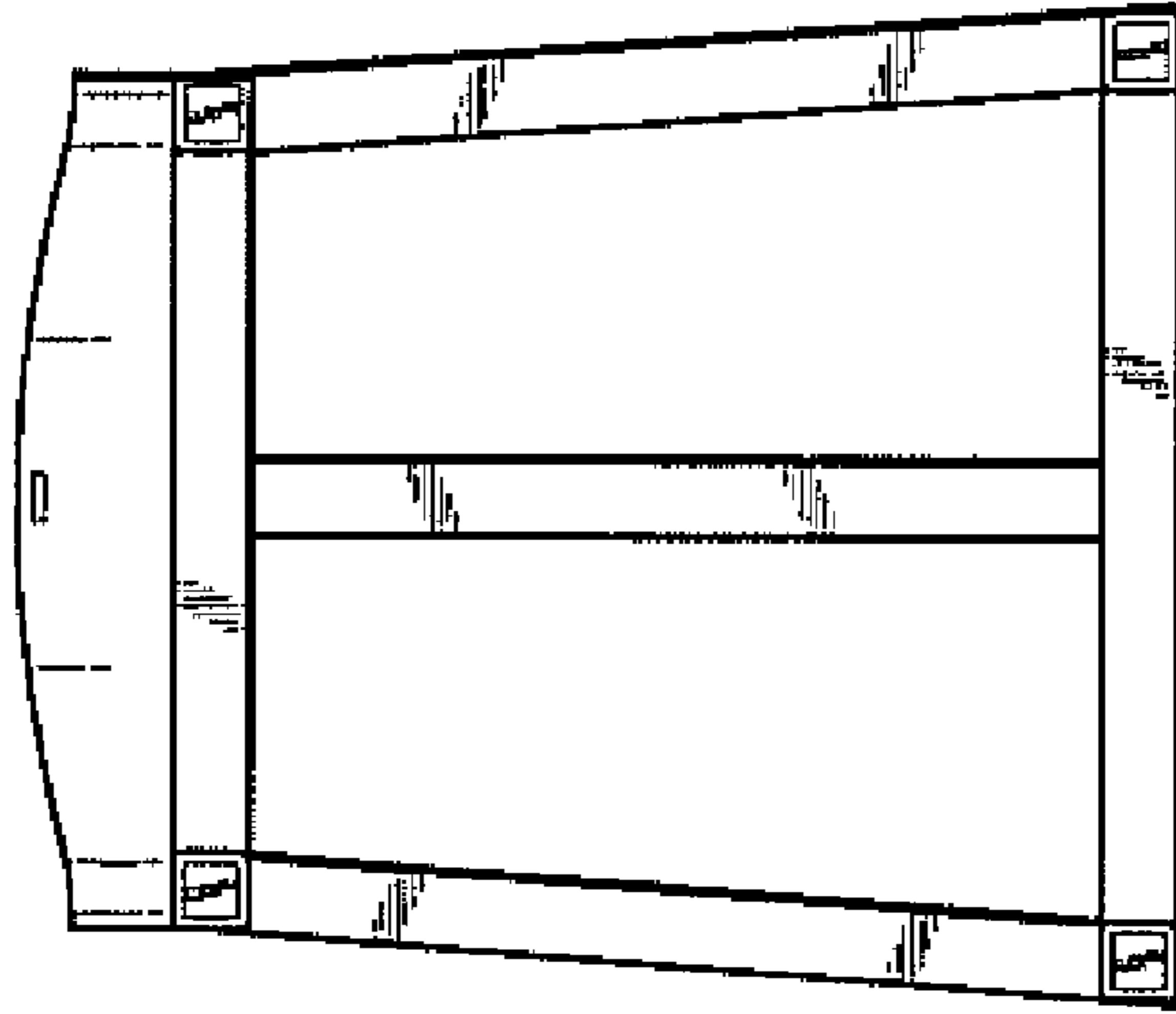


FIG - 14

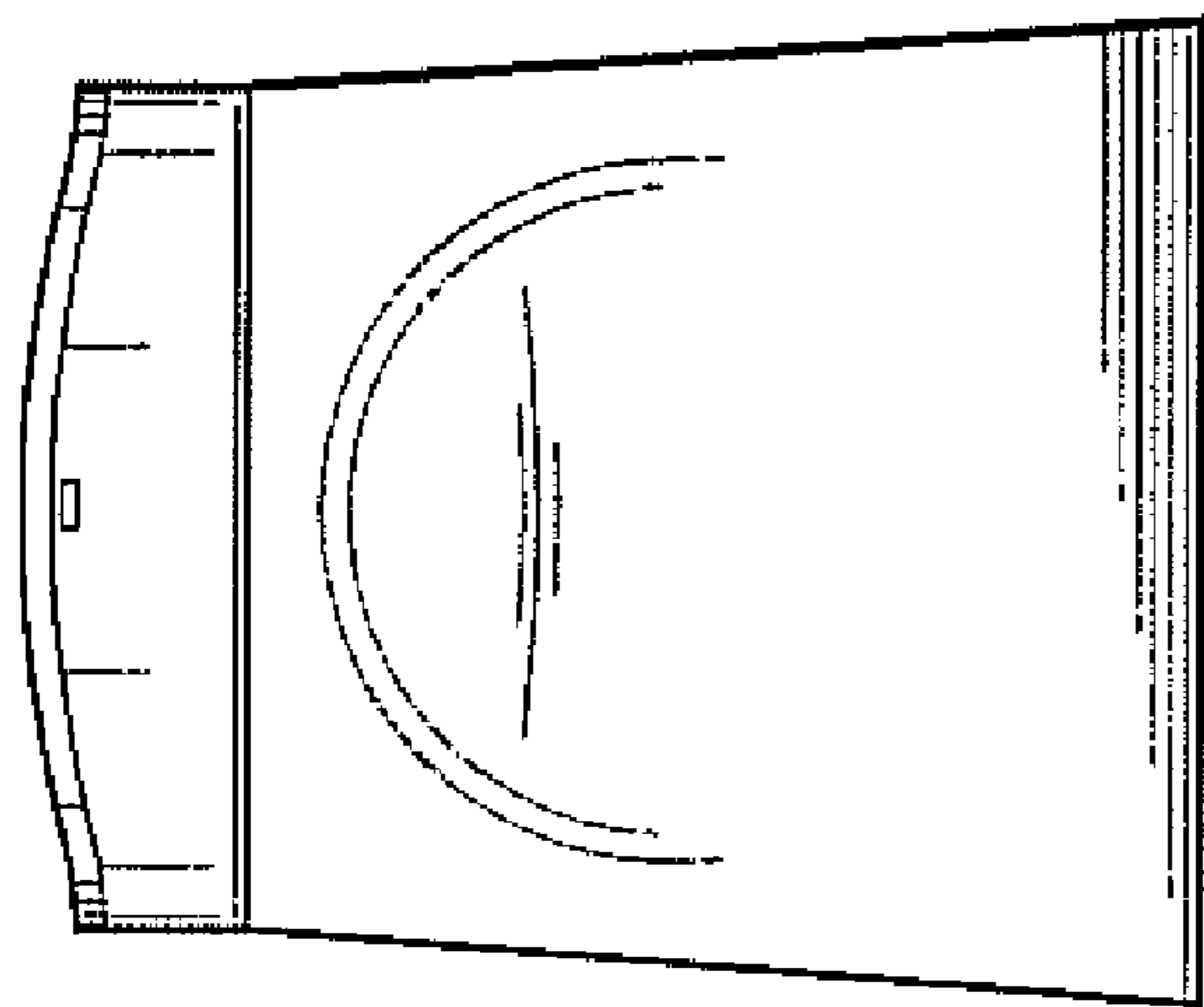


FIG - 13