

US00D576815S

(12) **United States Design Patent**  
**Hsieh**

(10) **Patent No.:** **US D576,815 S**  
(45) **Date of Patent:** **\*\* Sep. 16, 2008**

(54) **MESSAGE CHAIR**

(75) Inventor: **Wen-Hsu Hsieh**, Changhua (TW)

(73) Assignee: **Kuang Yu Metal Working Co., Ltd.**,  
Changhua (TW)

(\*\*) Term: **14 Years**

(21) Appl. No.: **29/250,402**

(22) Filed: **Nov. 13, 2006**

(51) **LOC (8) Cl.** ..... **06-01**

(52) **U.S. Cl.** ..... **D6/367**

(58) **Field of Classification Search** ..... D6/334-336,  
D6/360, 361, 367, 371, 373, 379, 500-502;  
297/68, 271.1, 271.2, 271.3, 353, 354.1,  
297/411.45, 423.19, 423.3; 601/49, 57-59,  
601/86, 97-99, 102, 115, 116, 148, 149  
See application file for complete search history.

(56) **References Cited**

**U.S. PATENT DOCUMENTS**

D418,990 S \* 1/2000 Oguri et al. .... D6/367  
D462,190 S \* 9/2002 Garcia ..... D6/367  
D491,375 S \* 6/2004 Yuyama ..... D6/335

D536,896 S \* 2/2007 Kawamura ..... D6/367  
D537,644 S \* 3/2007 Kawamura ..... D6/367  
D544,224 S \* 6/2007 Zhuo ..... D6/367  
D565,316 S \* 4/2008 Ng ..... D6/367  
7,381,194 B2 \* 6/2008 Yoda et al. .... 601/86

\* cited by examiner

*Primary Examiner*—Mimosa De

(74) *Attorney, Agent, or Firm*—Banger Shia

(57) **CLAIM**

The ornamental design for a massage chair, as shown and described.

**DESCRIPTION**

FIG. 1 is a perspective view of a massage chair showing my new design;

FIG. 2 is a front elevational view thereof;

FIG. 3 is a rear elevational view thereof,

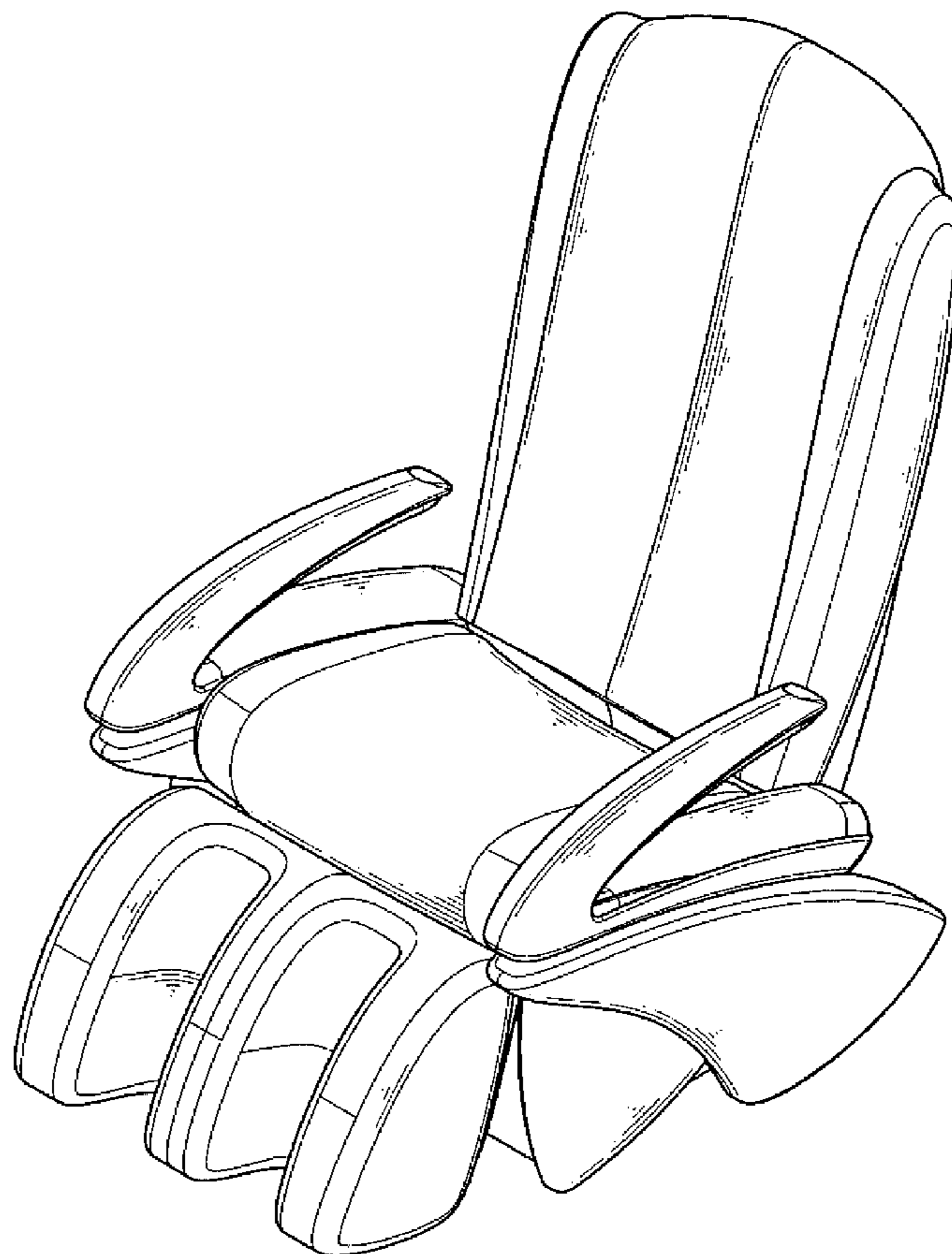
FIG. 4 is a left side elevational view thereof,

FIG. 5 is a right side elevational view thereof,

FIG. 6 is a top plan view thereof; and,

FIG. 7 is a bottom plan view to that shown.

**1 Claim, 4 Drawing Sheets**



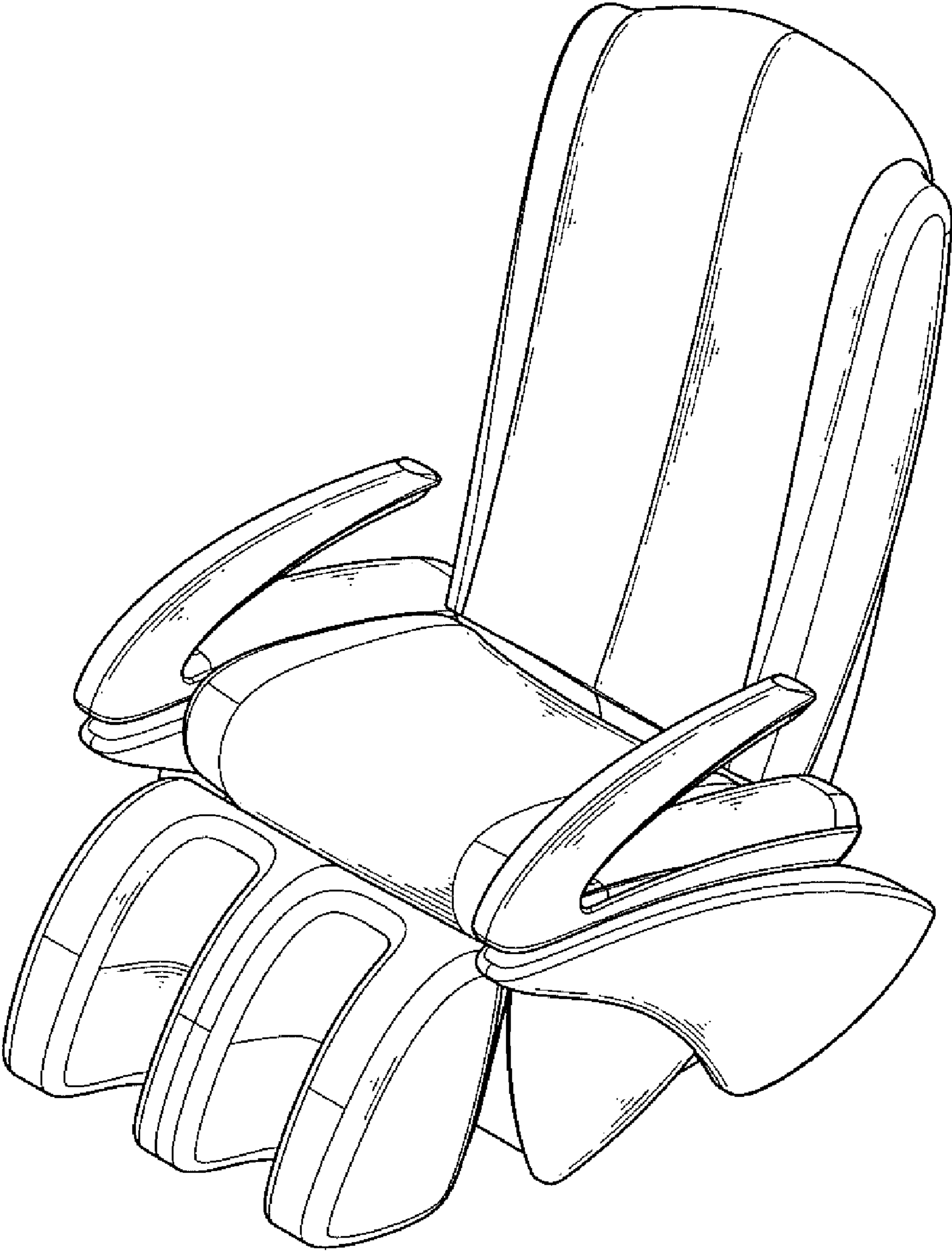


Fig. 1

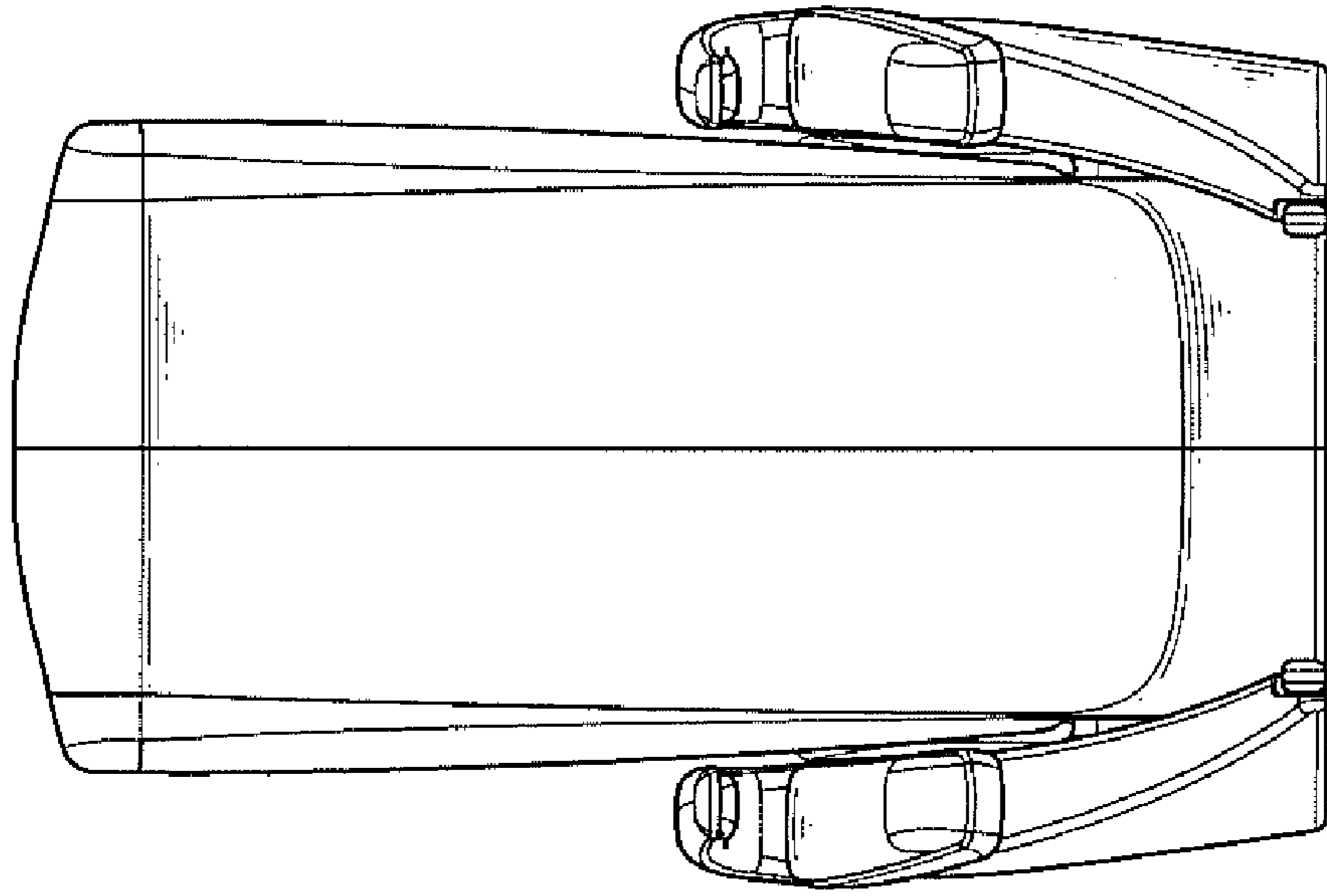


Fig. 3

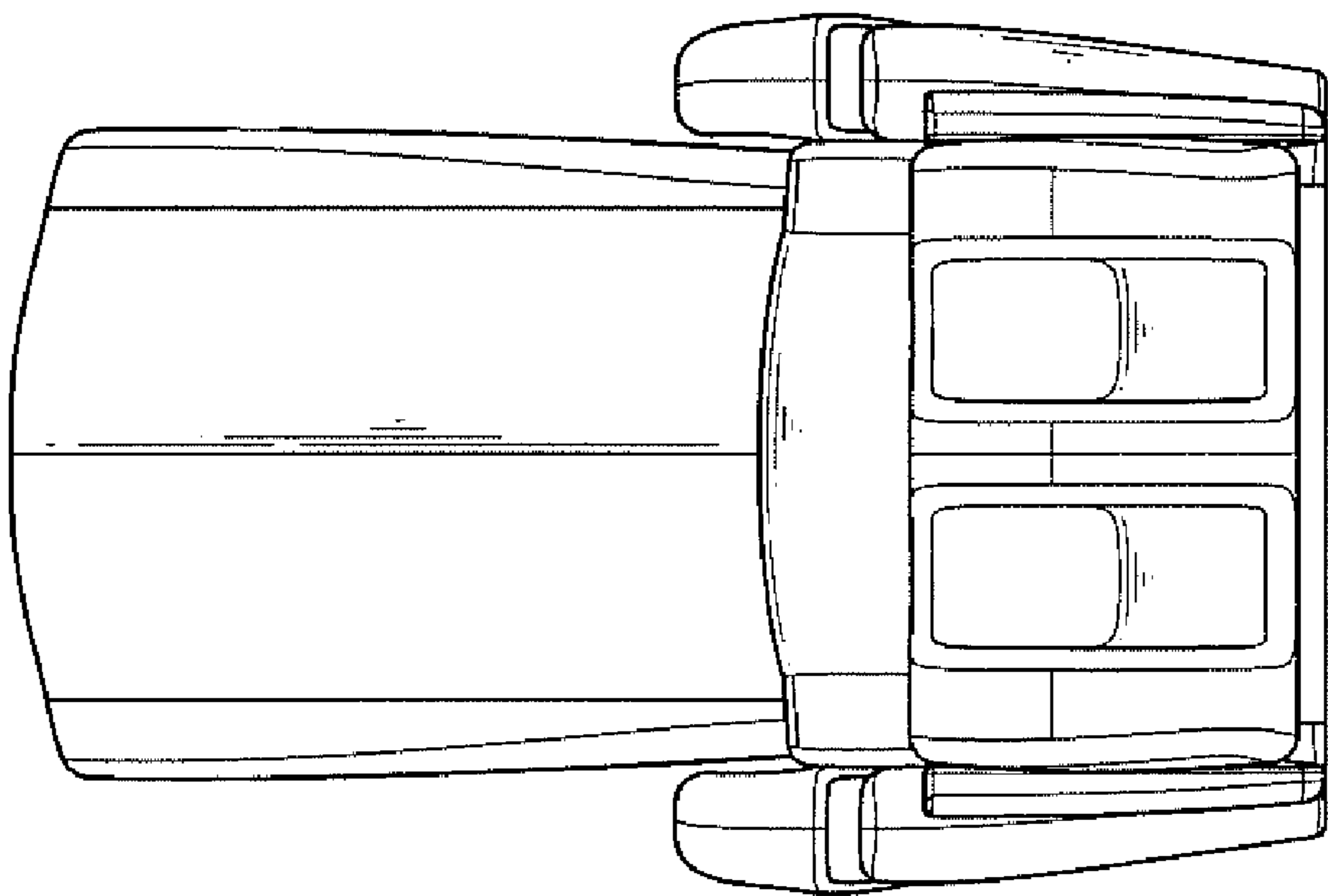


Fig. 2

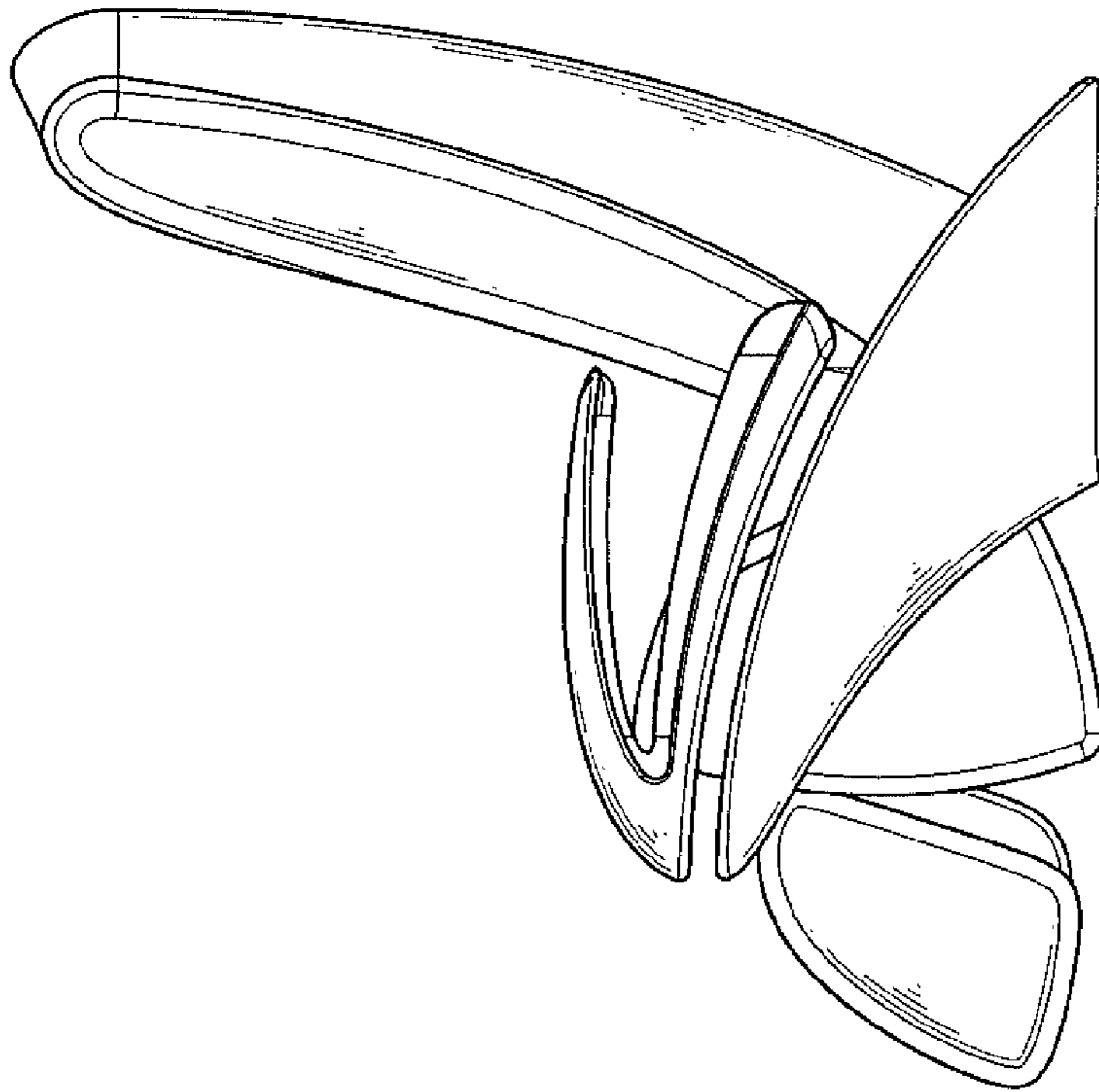


Fig. 5

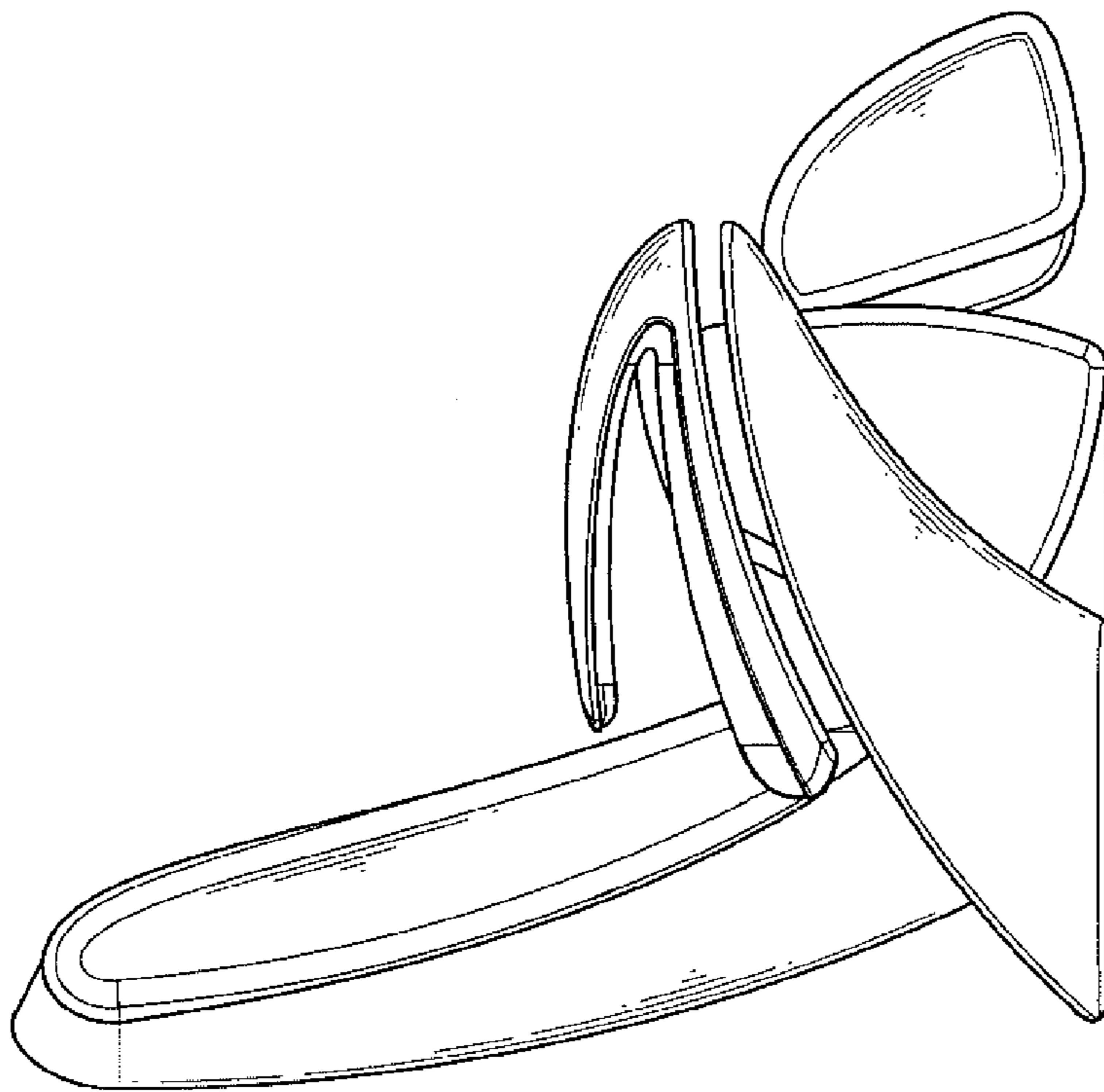


Fig. 4

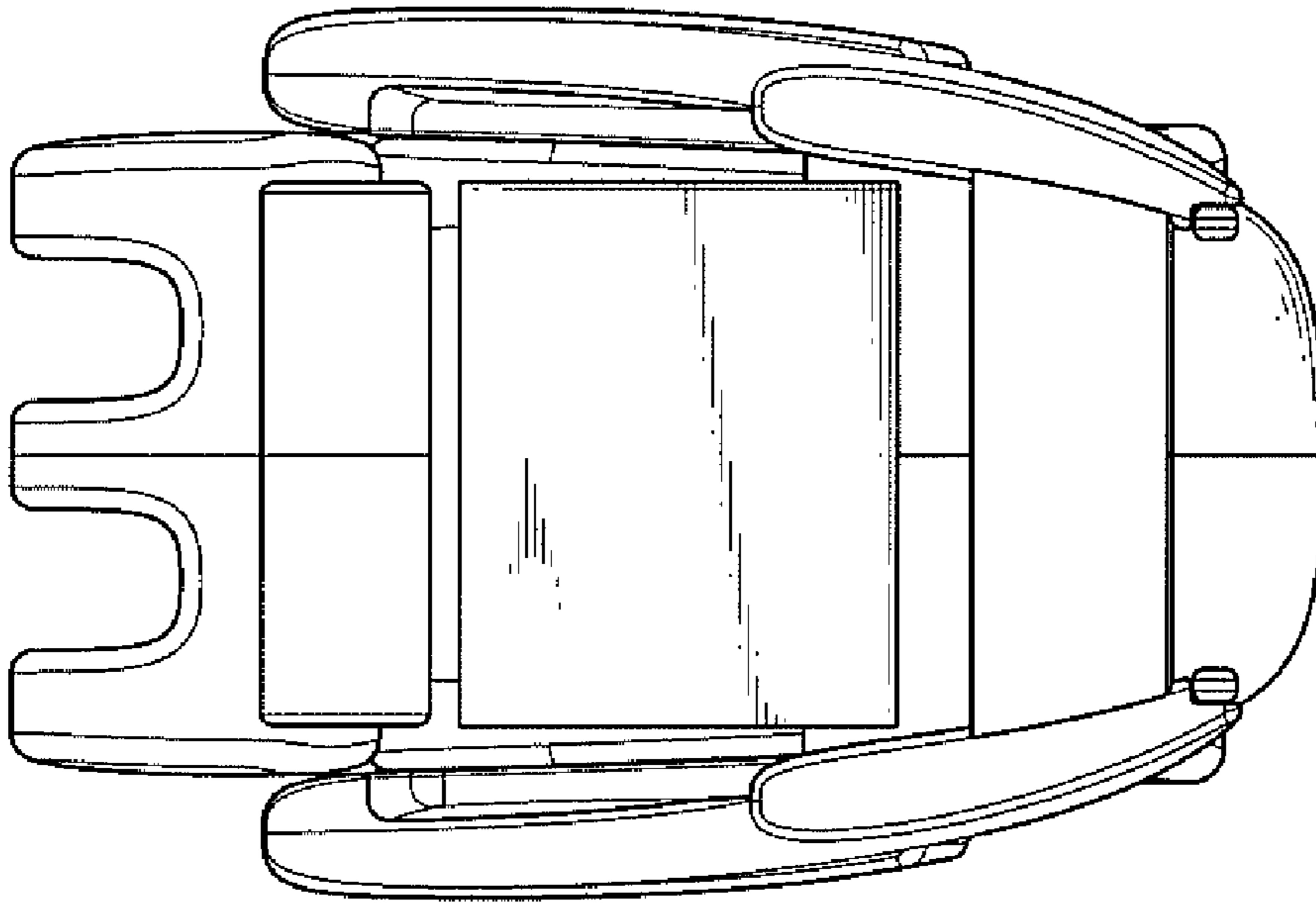


Fig. 6

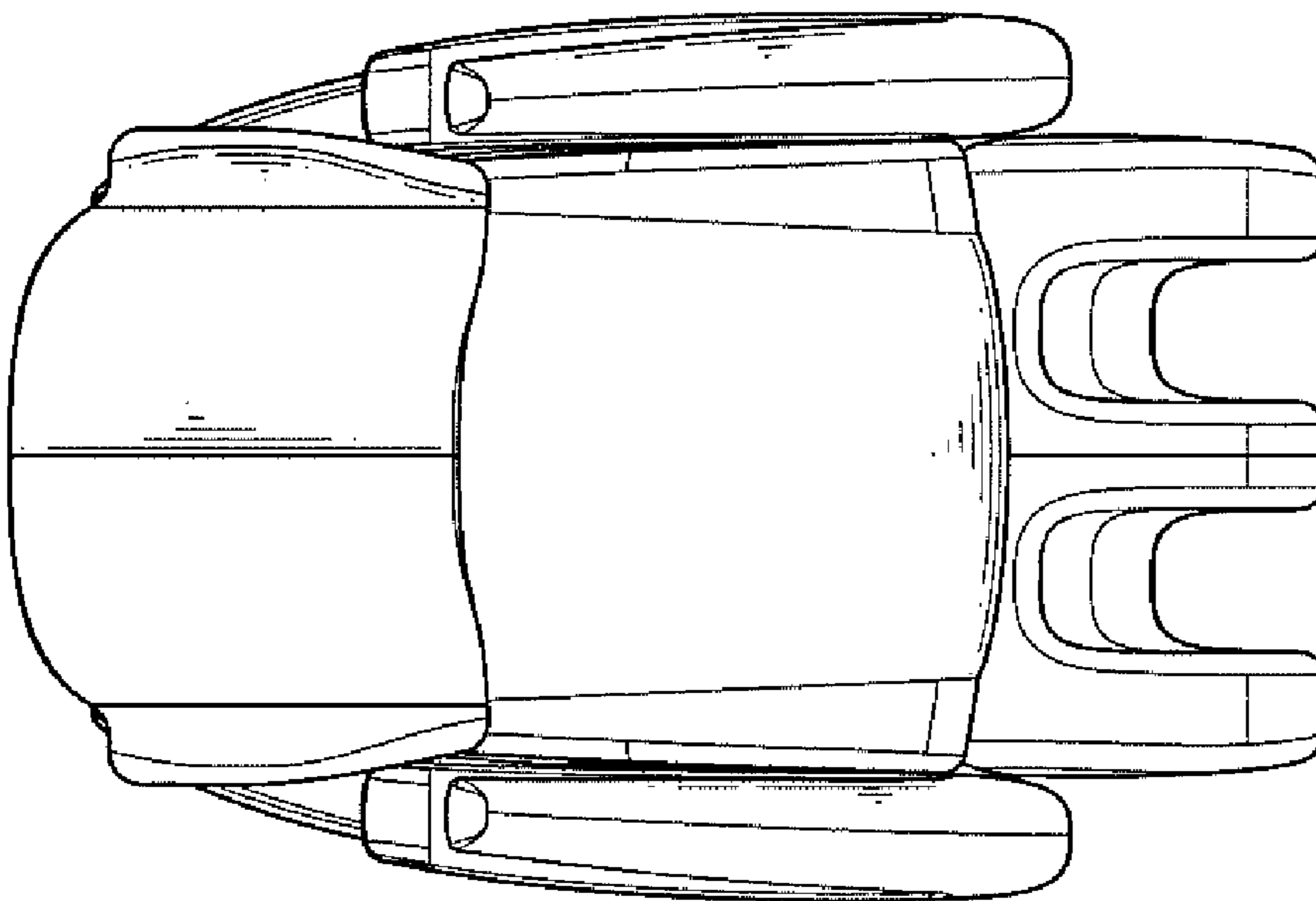


Fig. 7