



US00D576814S

(12) **United States Design Patent**
Baldanzi et al.

(10) **Patent No.:** **US D576,814 S**
(45) **Date of Patent:** **** Sep. 16, 2008**

(54) **OFFICE CHAIR**

(75) Inventors: **Adriano Baldanzi**, Ponsacco (IT);
Alessandro Novelli, Ponsacco (IT)

(73) Assignee: **IVARS S.p.A.**, Vestone (Brescia) (IT)

(**) Term: **14 Years**

(21) Appl. No.: **29/304,006**

(22) Filed: **Feb. 22, 2008**

(51) **LOC (8) Cl.** **06-01**

(52) **U.S. Cl.** **D6/366**

(58) **Field of Classification Search** D6/334-336,
D6/364, 365, 366, 367, 369, 370, 374, 379,
D6/380, 498, 500-502; 297/284.4, 300.2,
297/391, 393, 396, 411.27, 452.13, 452.21,
297/452.29, 452.3, 452.35, 452.46, 452.56,
297/452.63, 452.64

See application file for complete search history.

(56) **References Cited**

U.S. PATENT DOCUMENTS

- D445,580 S * 7/2001 Pennington et al. D6/366
- D446,397 S * 8/2001 Pennington et al. D6/366
- D497,264 S * 10/2004 Aubriet et al. D6/366
- D505,798 S * 6/2005 Seiler D6/366

- 6,910,741 B2 * 6/2005 Footitt 297/452.29
- D506,893 S * 7/2005 Hsien D6/502
- D540,079 S * 4/2007 Bock D6/502
- D541,062 S * 4/2007 Su D6/366
- D548,474 S * 8/2007 Fancelli D6/366
- D553,376 S * 10/2007 Nakamura et al. D6/366
- D557,917 S * 12/2007 Nakamura et al. D6/366
- 2005/0035638 A1 * 2/2005 Pennington et al. 297/300.2

* cited by examiner

Primary Examiner—Mimosa De

(74) *Attorney, Agent, or Firm*—McGlew & Tuttle, P.C.

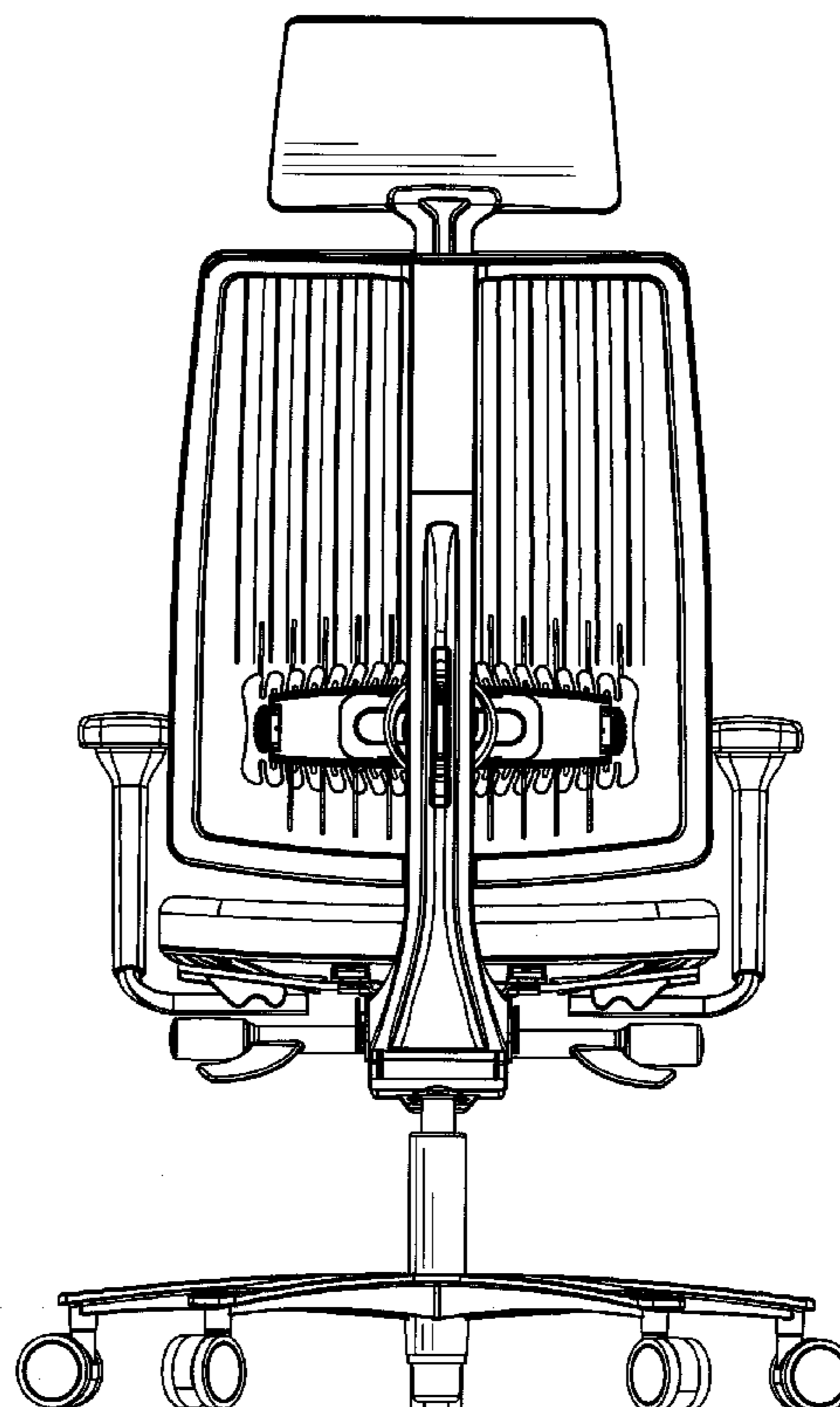
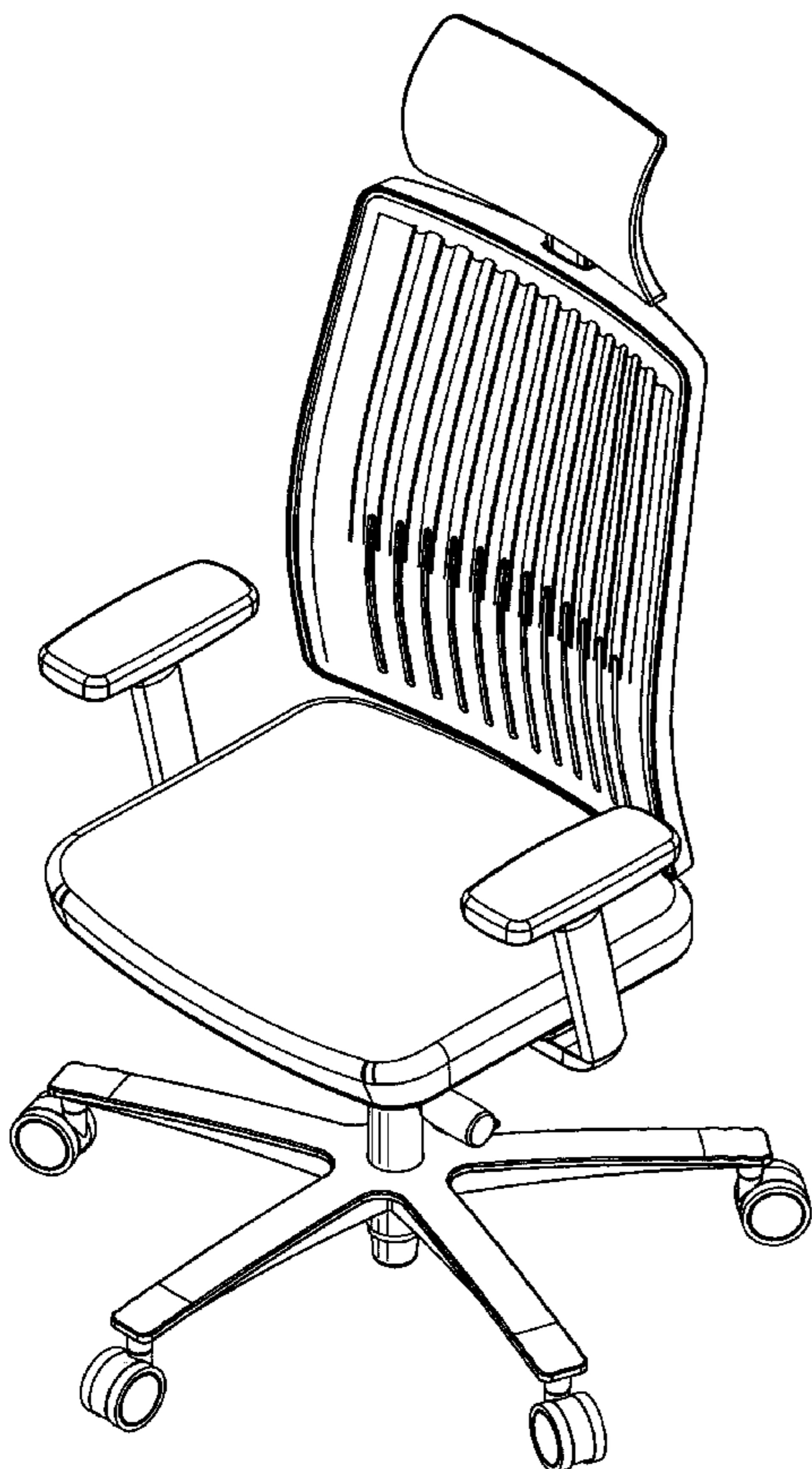
(57) **CLAIM**

The ornamental design of the office chair, as shown and described.

DESCRIPTION

- FIG. 1 is a perspective view of our new office chair;
- FIG. 2 is a front elevation view thereof;
- FIG. 3 is a rear elevation view thereof;
- FIG. 4 is a top view thereof;
- FIG. 5 is a bottom view thereof;
- FIG. 6 is a right side view thereof; and,
- FIG. 7 is a left side view thereof.

1 Claim, 6 Drawing Sheets



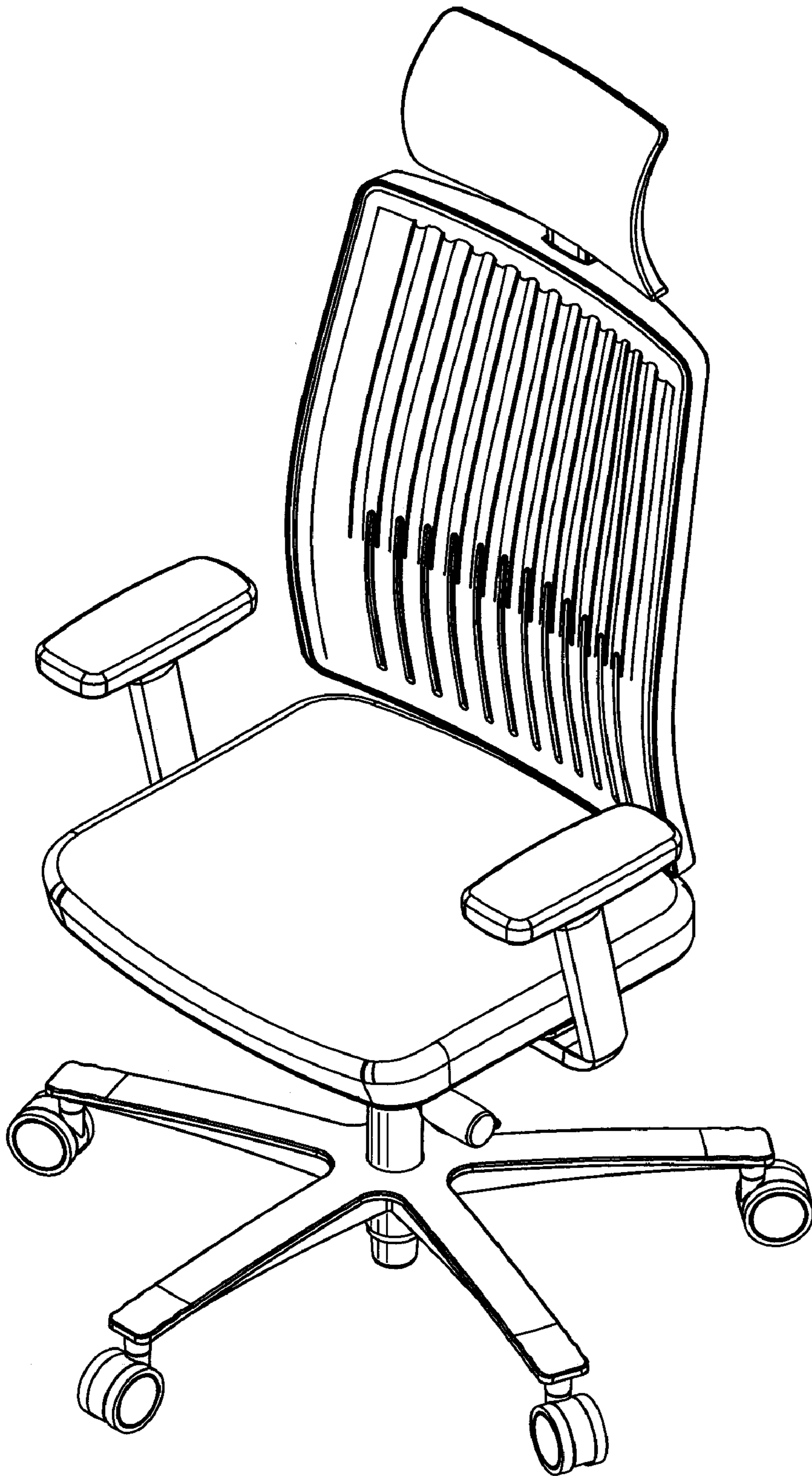


FIG. 1

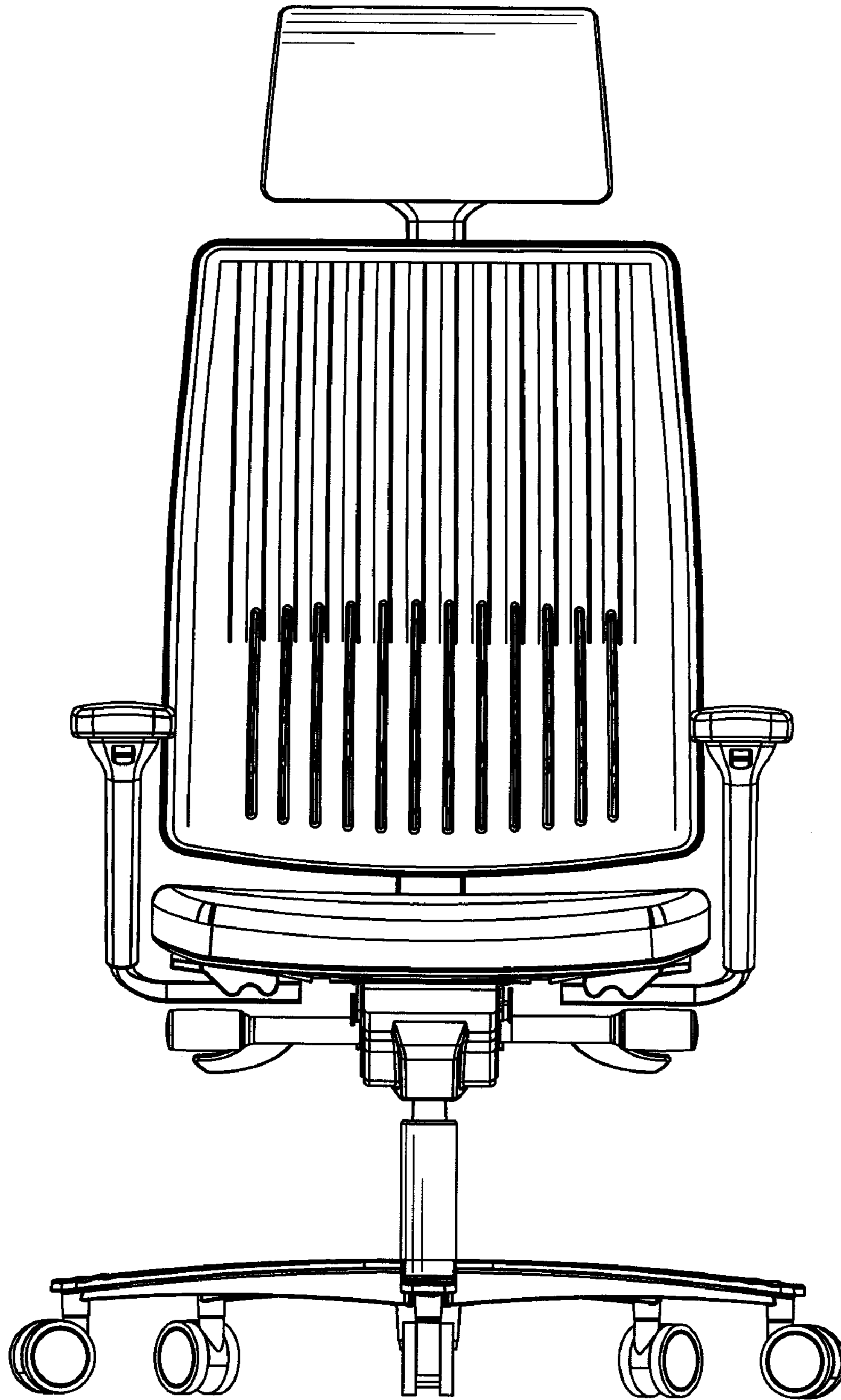


FIG. 2

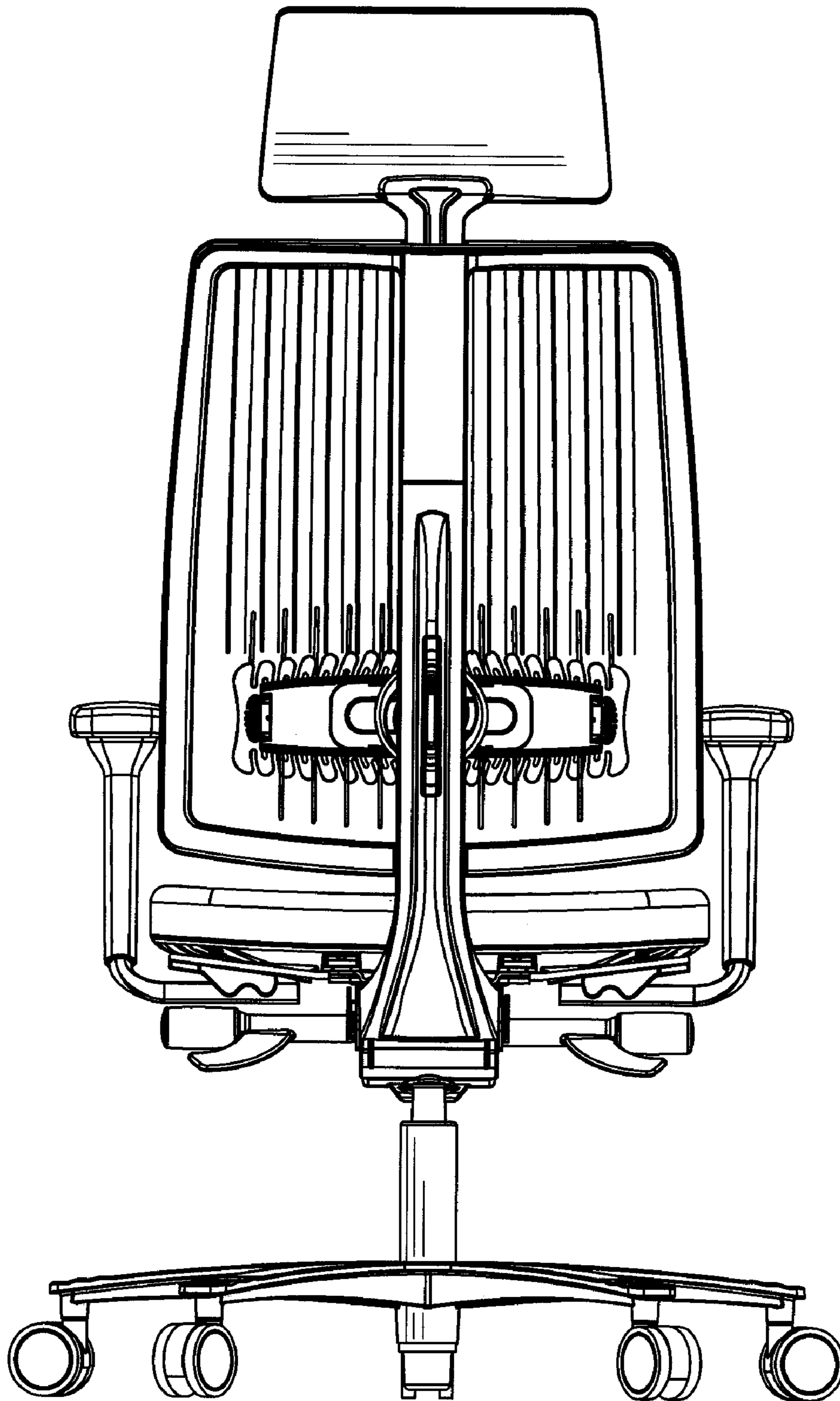


FIG. 3

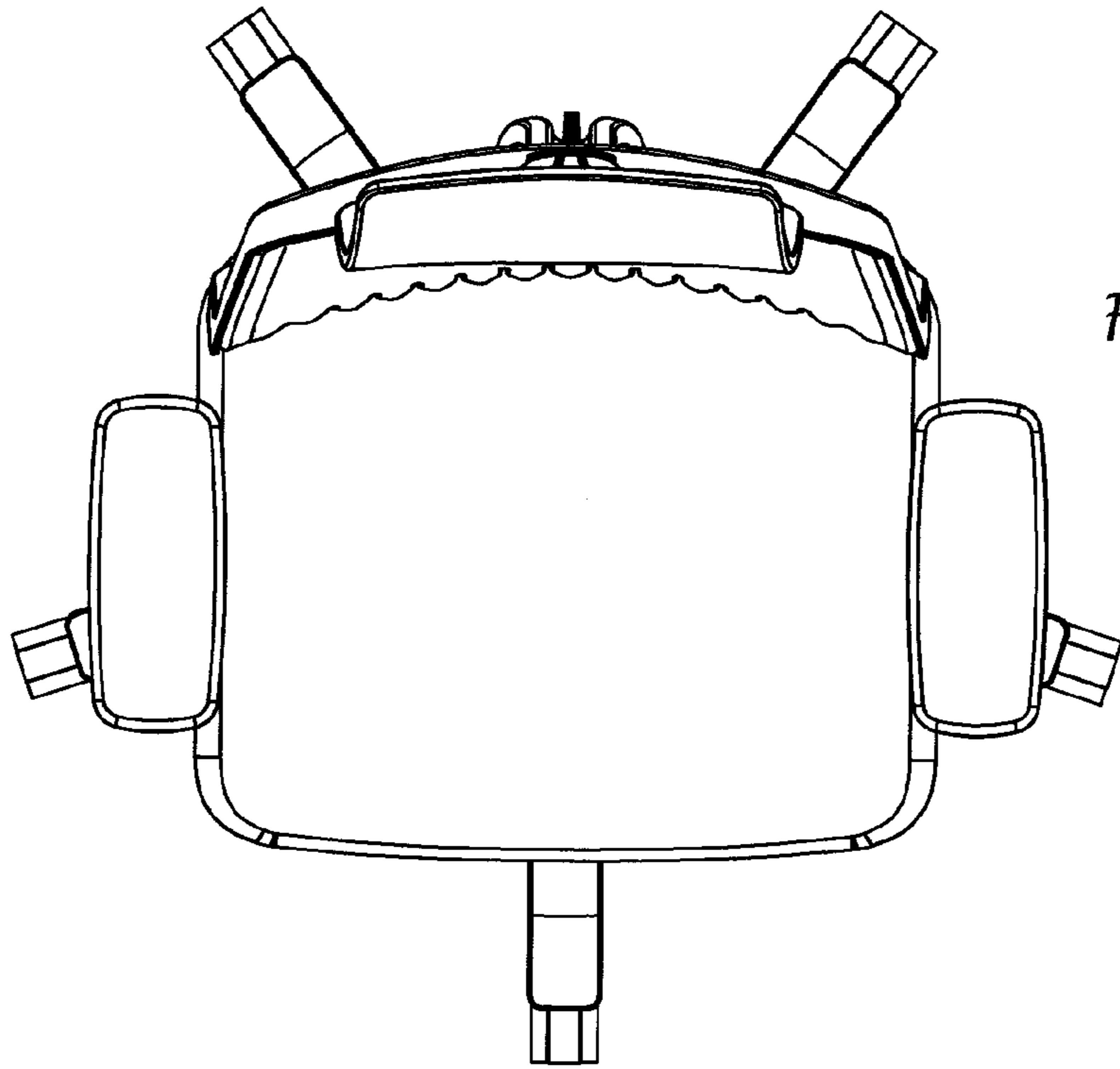


FIG. 4

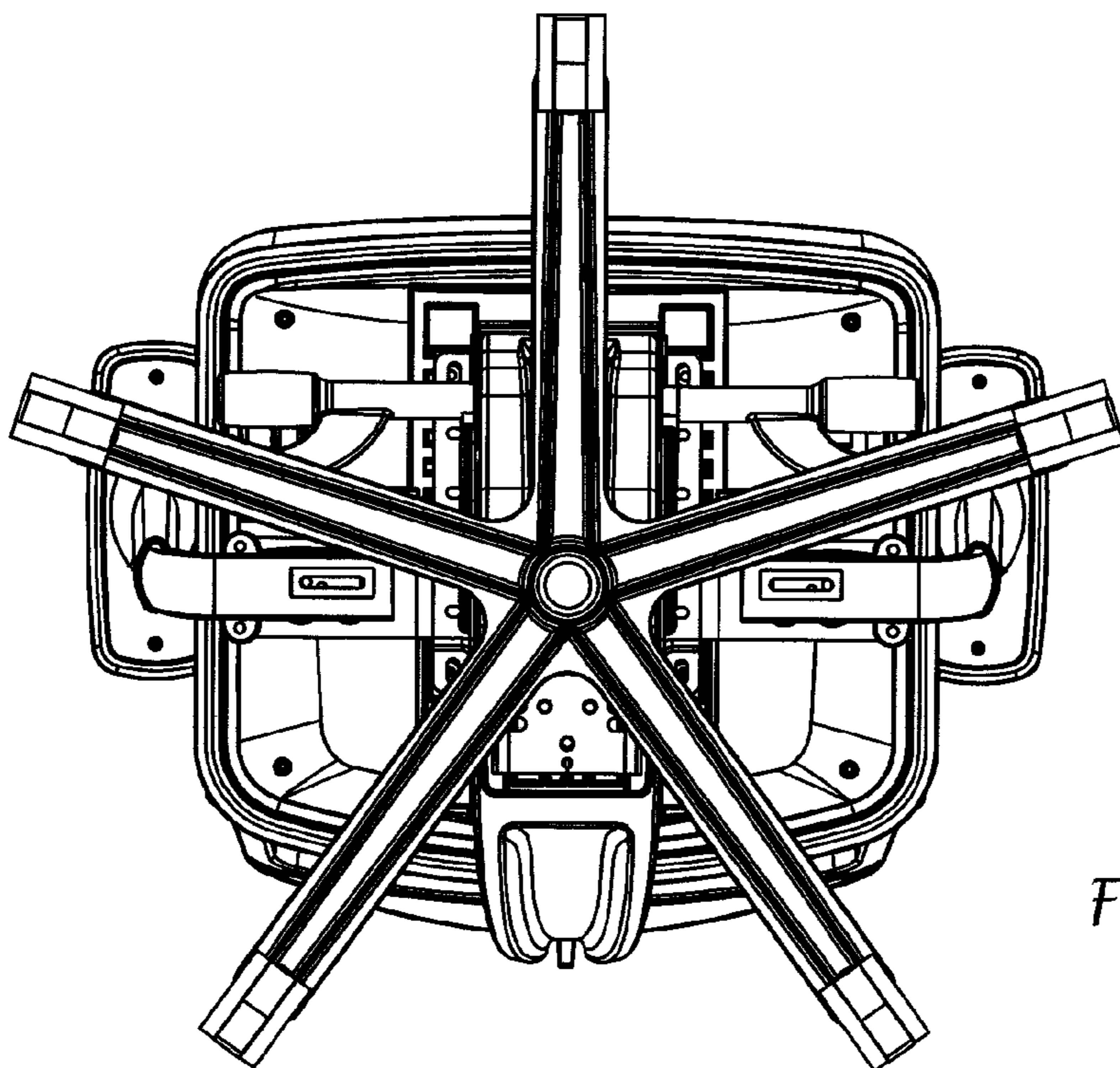


FIG. 5

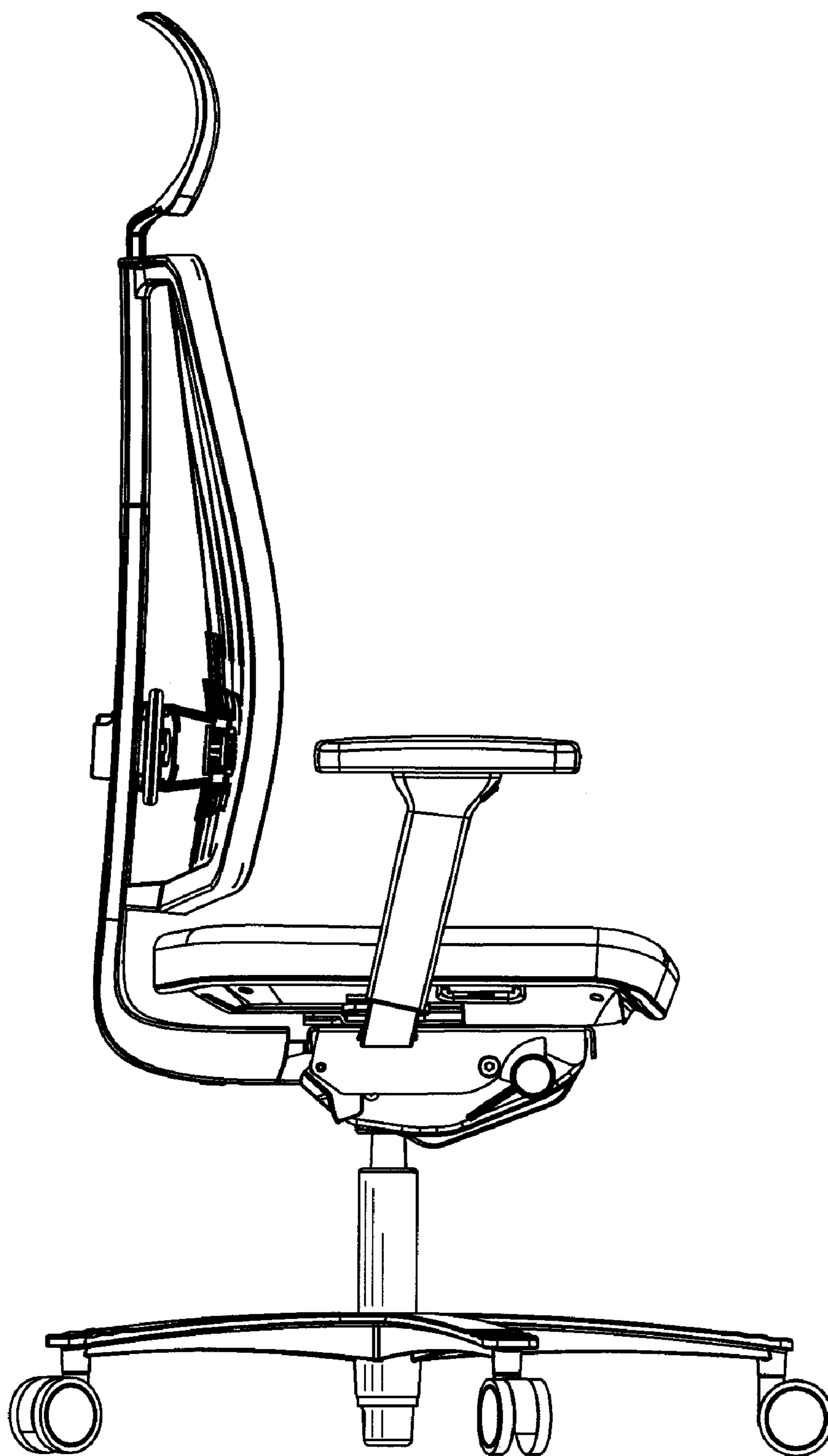


FIG. 6

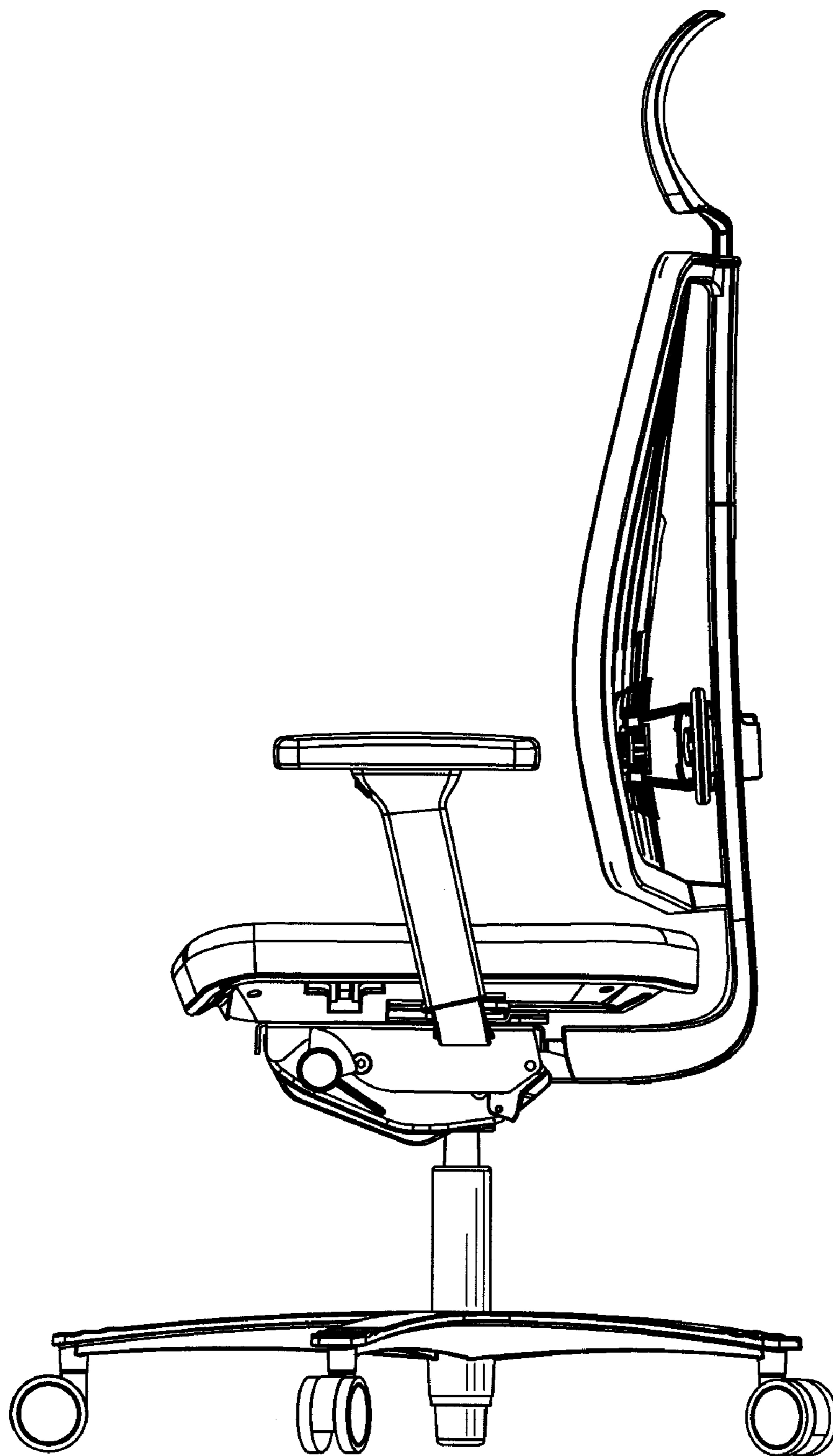


FIG. 7